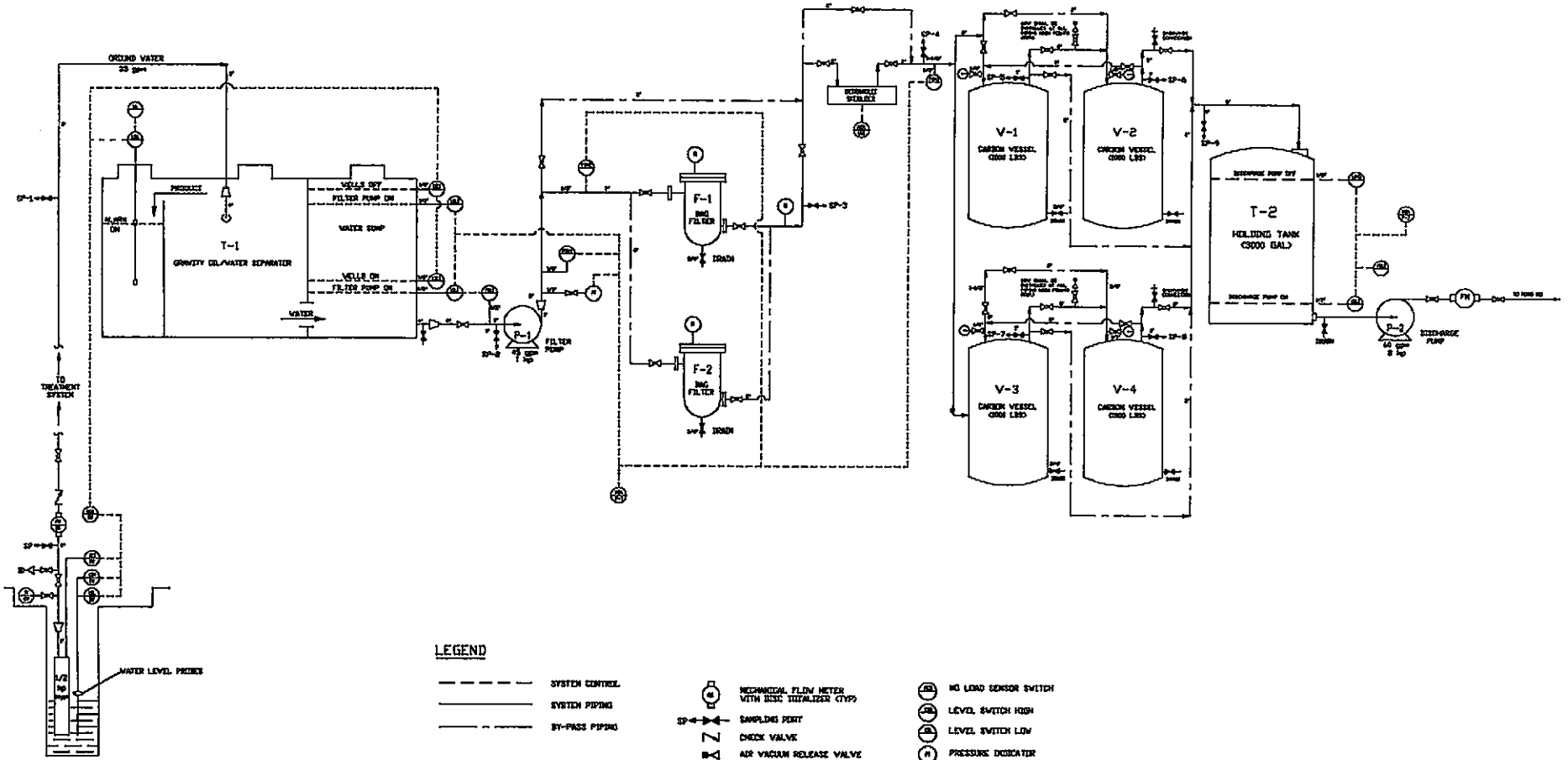


PRELIMINARY



EXTRACTION WELL PUMP (TYP.)
(EW-1 THROUGH EW-11)

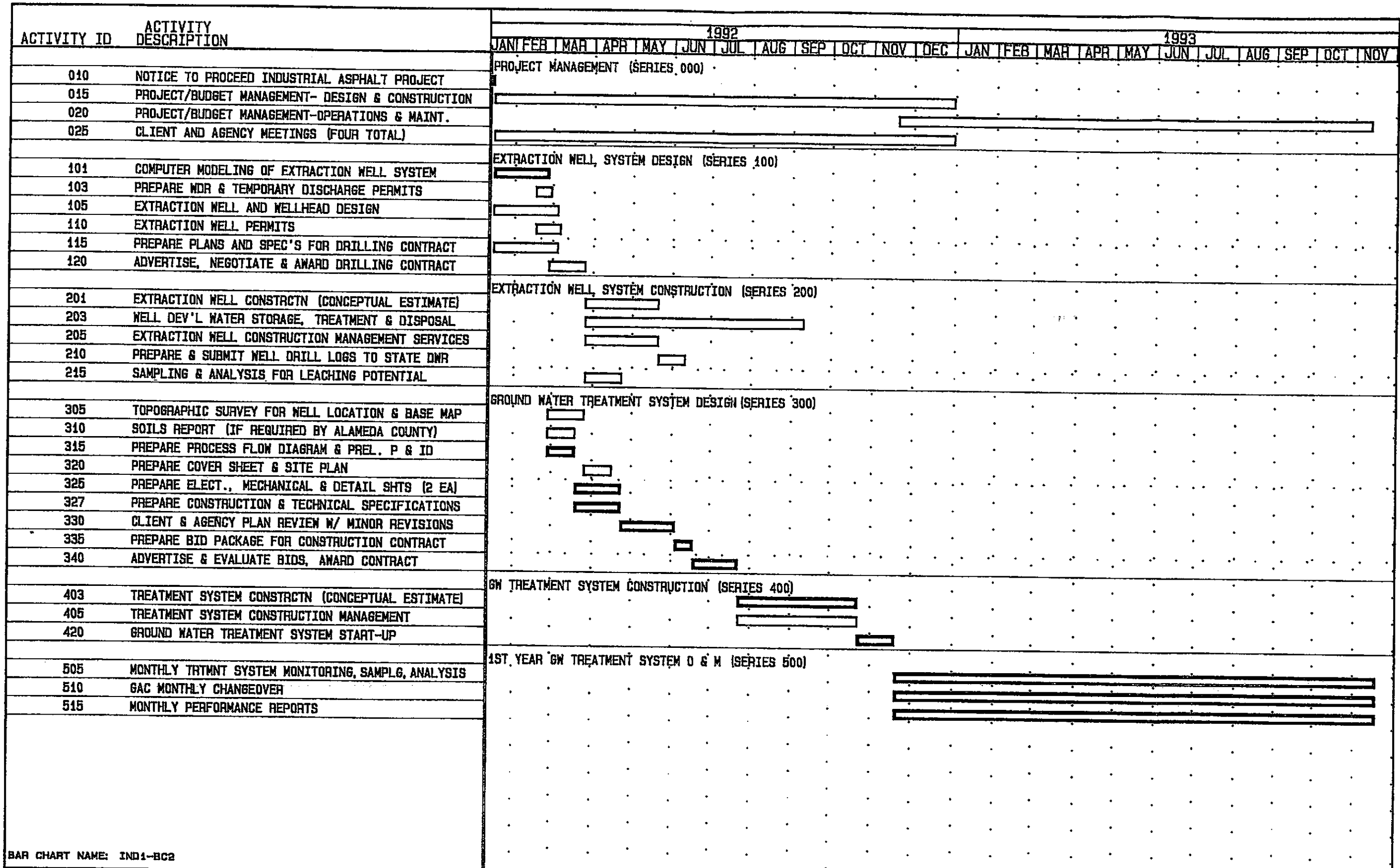
LEGEND

- SYSTEM CONTROL
- SYSTEM PIPING
- - - BY-PASS PIPING


- MECHANICAL FLOAT METER WITH BULK INITIALIZER (TYP.)
- SAMPLE POINT
- CHECK VALVE
- AIR VACUUM RELEASE VALVE
- GATE VALVE OPEN
- GATE VALVE CLOSED
- BALL VALVE OPEN
- BALL VALVE CLOSED
- REDUCER
- FLANGE
- ELBOW 90°

- NO LOAD SENSOR SWITCH
- LEVEL SWITCH HIGH
- LEVEL SWITCH LOW
- PRESSURE INDICATOR
- HANDS OFF AUTO SWITCH
- DIFFERENTIAL PRESSURE INDICATOR
- PRESSURE SWITCH HIGH
- PRESSURE SWITCH LOW
- LEVEL ALARM

PIPING AND INSTRUMENT DIAGRAM			
INDUSTRIAL ASPHALT PLEASANTON, CALIFORNIA			
DRAWN BY: LJS	CHECKED BY: GCS	DESIGNED BY: JMS	
SCALE: NONE	DATE: 7/27/78	JOB NO.: 78-1042-08/08	CAD FILE: PASKSP1022
KLEINFELDER VALVE CHECK * DELIVERY			SHEET OF 1 SHEET



BAR CHART NAME: IND1-BC2



 Primavera Systems, Inc. 1984-1991

INDUSTRIAL ASPHALT
PRELIMINARY PROJECT SCHEDULE
DECEMBER 17, 1991

Sheet 1 of 1
 Data Date: 13JAN92
 Plot Date: 17DEC91

INDUSTRIAL ASPHALT CONCEPTUAL COST EST.-12/10/91			
Date	Revision	Checked	Approved