



COS
11/13/96

ENVIRONMENTAL
PROTECTION
96 NOV 13 AM 9:26

October 31, 1996

California Regional Water Quality Control Board
San Francisco Bay Region
2101 Webster Street
San Francisco, California 94612

41-0086-35

RE: FORMER MOBIL STATION 10-L1X
15884 HESPERIAN BOULEVARD
SAN LORENZO, CALIFORNIA

Dear Mr. Kevin Graves:

On September 19, 1996, five Monitoring Wells (MW-2, MW-5, MW-6, MW-7, and MW-8) were abandoned by V & W Drilling of Rio Vista, California. Abandonment activities involved pressure grouting each well with neat cement. The top 2 feet of well casing and the steel well box from each well was removed and the resulting void was filled to grade with concrete. Well abandonment activities were performed in accordance with Zone 7 Water Resources Management well abandonment requirements and Alameda County Public Works encroachment permit #ROO-941045. See Appendix A for a copies of the well abandonment and road encroachment permits and Appendix B for well abandonment details.

If you have any questions regarding this report, please call us at (510) 606-9150.

Sincerely,

ALTON GEOSCIENCE

Ron Scheele

Ron Scheele
Project Manager

Matthew W Katen

Matthew W. Katen, RG
Senior Geologist



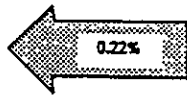
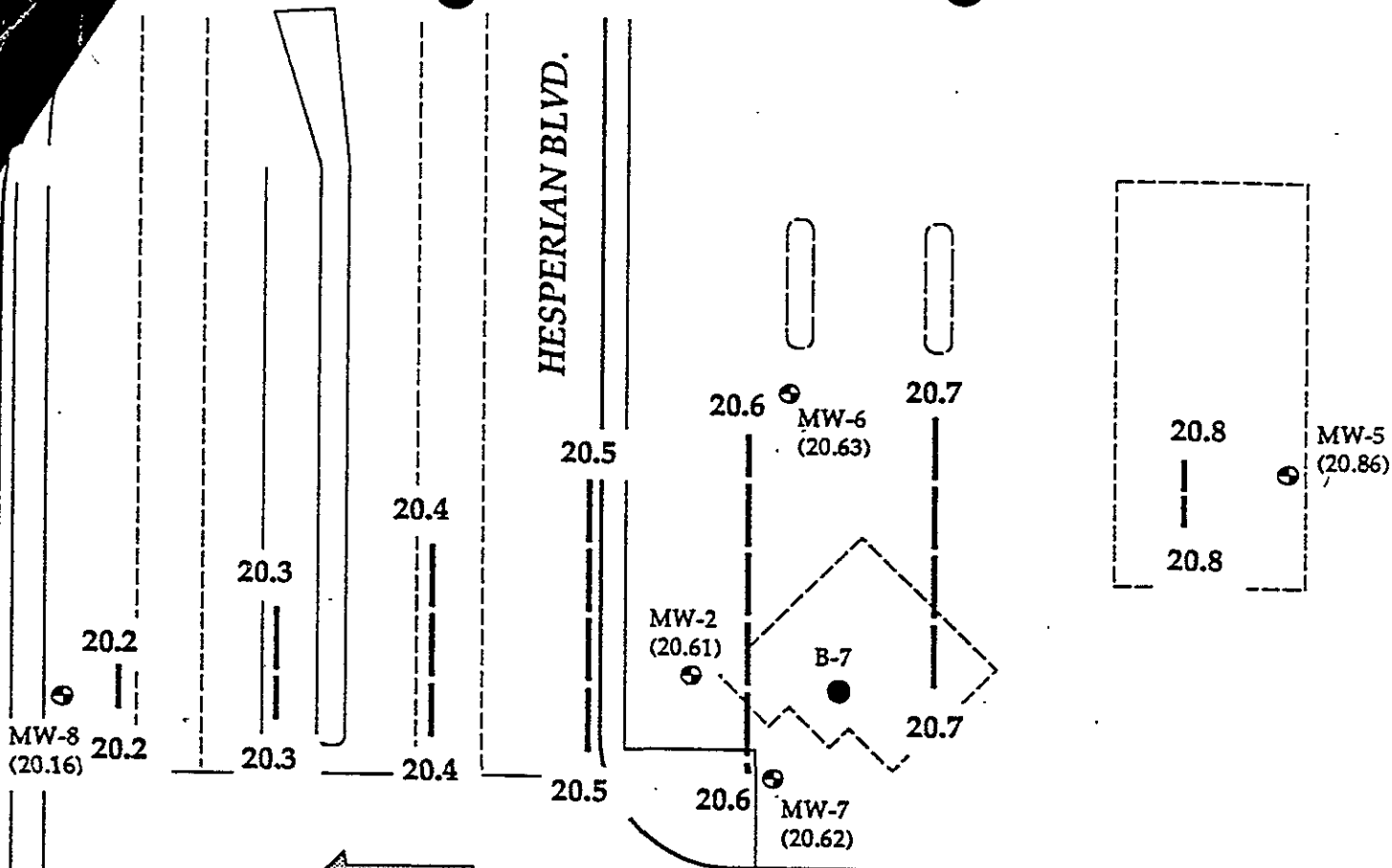
Attachments:

- Figure 1: Site Plan
- Appendix A: Permits
- Appendix B: Well Abandonment Details

cc: Ms. Tara Lynch, Mobil Oil Corporation

30A Lindbergh Ave, Annie Leach, Alameda County Environmental Health Department
Livermore, California 94550
(510) 606-9150 • FAX (510) 606-9200
Mr. William Hong, Zone 7 Water Resources Management

HESPERIAN BLVD.



APPROXIMATE GROUND WATER GRADIENT

POST OFFICE ST. (PRIVATE ROAD)

NORTH

0 50 100

APPROXIMATE SCALE IN FEET

LEGEND

- ⊕ MW-2 = Monitoring well
- B-7 = Soil boring
- (20.86) = Ground water elevation (feet)
- 20.7) = Ground water elevation contour - dashed where inferred (feet)

BASED ON DATA COLLECTED 8/1/95

HYDR  **-**
ENVIR  **NMENTAL**
TECHN  **LOGIES, INC.**

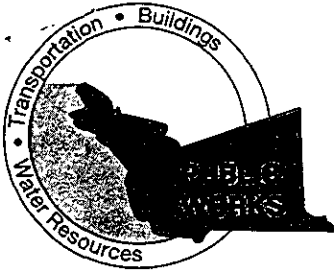
GROUND WATER CONTOUR MAP
 Former Mobil Service Station No. 10-L1X
 15884 Hesperian Blvd.
 San Lorenzo, California

Figure

8-019 8/95

APPENDIX A

PERMITS



COUNTY OF ALAMEDA
PUBLIC WORKS AGENCY
399 Elmhurst Street • Hayward, CA 94544-1395
(510) 670-5480

October 23, 1996

Road Permit 80001
R00-941045

Alton Geoscience
30A Lindbergh Ave.
Livermore, CA 94550

Dear Sir:

This is to inform you that Road Permit No. 80001 R00-941045 has been closed. All work covered under our permit has been completed to the satisfaction of the County.

If you have any questions, please call the Permit Section at (510) 670-5429.

Very truly yours,

Kern L. Hanson
Permit/Grading Supervisor

KLH:net

Permit # R00-941045
Issue Date: 9/17/96

COUNTY OF ALAMEDA
PUBLIC WORKS AGENCY
399 ELMHURST STREET, HAYWARD, CA 94544
(510) 670-5429

ROAD ENCROACHMENT PERMIT

This Permit is issued in accordance with the provisions of Chapter 1 of Title 5 of the Ordinance Code of the County of Alameda.

NAME & ADDRESS OF PERMITTEE:

(RON SCHEELE) ALTON GEOSCIENCE
30A LINDBERGH AVE.
LIVERMORE CA 94550
PHONE: (510) 606-9150

Work Order Number: 80001
Expiration Date: 9/17/97
Receipt Number: 6236

JOB SITE(S): 15884 HESPERIAN BLVD.

This Permit authorizes an encroachment onto the roadway right-of-way, at the said Job Site(s), in order to perform the work described below; unless specifically exempted, this encroachment shall be subject to the terms and conditions of the said Chapter 1 of Title 5 and to all other provisions attached to and written into this Permit.

THE PERMITTEE INTENDS TO PERFORM THE FOLLOWING:

ABANDON MONITORING IN HESPERIAN BLVD

Attention is directed to the inspection requirements and to the other general terms and conditions, as outlined on the back of this form -- and to those special requirements written below:

Other Required Permits: ZONE 7 WELL DESTRUCTION PERMIT

Bond Information: Waived

Inspection Fee Deposit: \$150⁰⁰ - 125; Chg. Insp. to WO#

BY: Ron Scheele, PERMITTEE

BY: JK Roeger FOR ALAMEDA COUNTY

Reviewed By: _____
Work Completed: 9/20/96
Inspector: [Signature]

cessant
9/27/96 JR

closed 10-22-96



ZONE WATER AGENCY

5997 PARKSIDE DRIVE

PLEASANTON, CALIFORNIA 94588

VOICE (510) 484-2600

FAX (510) 462-3914

DRILLING PERMIT APPLICATION

FOR APPLICANT TO COMPLETE

FOR OFFICE USE

LOCATION OF PROJECT FORMER MOBIL 10-LIX
15884 HESPERIAN, BLVD, SAN LORENZO
(attached closure letter)

PERMIT NUMBER 96653
LOCATION NUMBER 3S/2W 7Q80 to 7Q84

CLIENT

Name MOBIL OIL CORPORATION
Address 3225 GALLOWAY ROAD Voice RM 64319
City FAIRFAX VIRGINIA Zip 22037

PERMIT CONDITIONS

Circled Permit Requirements Apply

APPLICANT

Name ATON GEOSCIENCE 606-9260
Fax 510 606-9150
Address 304 LINDAERH AVE Voice 510 606-9150
City LIVERMORE CA, Zip 94550

A. GENERAL

1. A permit application should be submitted so as to arrive at the Zone 7 office five days prior to proposed starting date.
2. Submit to Zone 7 within 60 days after completion of permitted work the original Department of Water Resources Water Well Drillers Report or equivalent for well Projects, or drilling logs and location sketch for geotechnical projects.
3. Permit is void if project not begun within 90 days of approval date.

TYPE OF PROJECT

Well Construction	Geotechnical Investigation
Cathodic Protection <input type="checkbox"/>	General <input type="checkbox"/>
Water Supply <input type="checkbox"/>	Contamination <input type="checkbox"/>
Monitoring <input type="checkbox"/>	Well Destruction <input checked="" type="checkbox"/>

B. WATER WELLS, INCLUDING PIEZOMETERS

1. Minimum surface seal thickness is two inches of cement grout placed by tremie.
2. Minimum seal depth is 50 feet for municipal and industrial wells or 20 feet for domestic and irrigation wells unless a lesser depth is specially approved. Minimum seal depth for monitoring wells is the maximum depth practicable or 20 feet.

PROPOSED WATER SUPPLY WELL USE

Domestic <input type="checkbox"/>	Industrial <input type="checkbox"/>	Other <input type="checkbox"/>
Municipal <input type="checkbox"/>	Irrigation <input type="checkbox"/>	

C. GEOTECHNICAL. Backfill bore hole with compacted cuttings or heavy bentonite and upper two feet with compacted material. In areas of known or suspected contamination, tremied cement grout shall be used in place of compacted cuttings.

DRILLING METHOD:

Mud Rotary Air Rotary Auger
Cable Other PRESSURE GROUT MW-2, MW-5, MW-8

D. CATHODIC. Fill hole above anode zone with concrete placed by tremie.

DRILLER'S LICENSE NO. 657-720904

E. WELL DESTRUCTION. See attached.

WELL PROJECTS

Drill Hole Diameter	<u>8-10</u> in.	Maximum	
Casing Diameter	<u>2-4</u> in.	Depth	<u>29</u> ft.
Surface Seal Depth	<u>8</u> ft.	Number	<u>5</u>

GEOTECHNICAL PROJECTS

Number of Borings		Maximum	
Hole Diameter	<input type="checkbox"/> in.	Depth	<input type="checkbox"/> ft.

ESTIMATED STARTING DATE 9/9/96

ESTIMATED COMPLETION DATE 9/16/96

I hereby agree to comply with all requirements of this permit and Alameda County Ordinance No. 73-68.

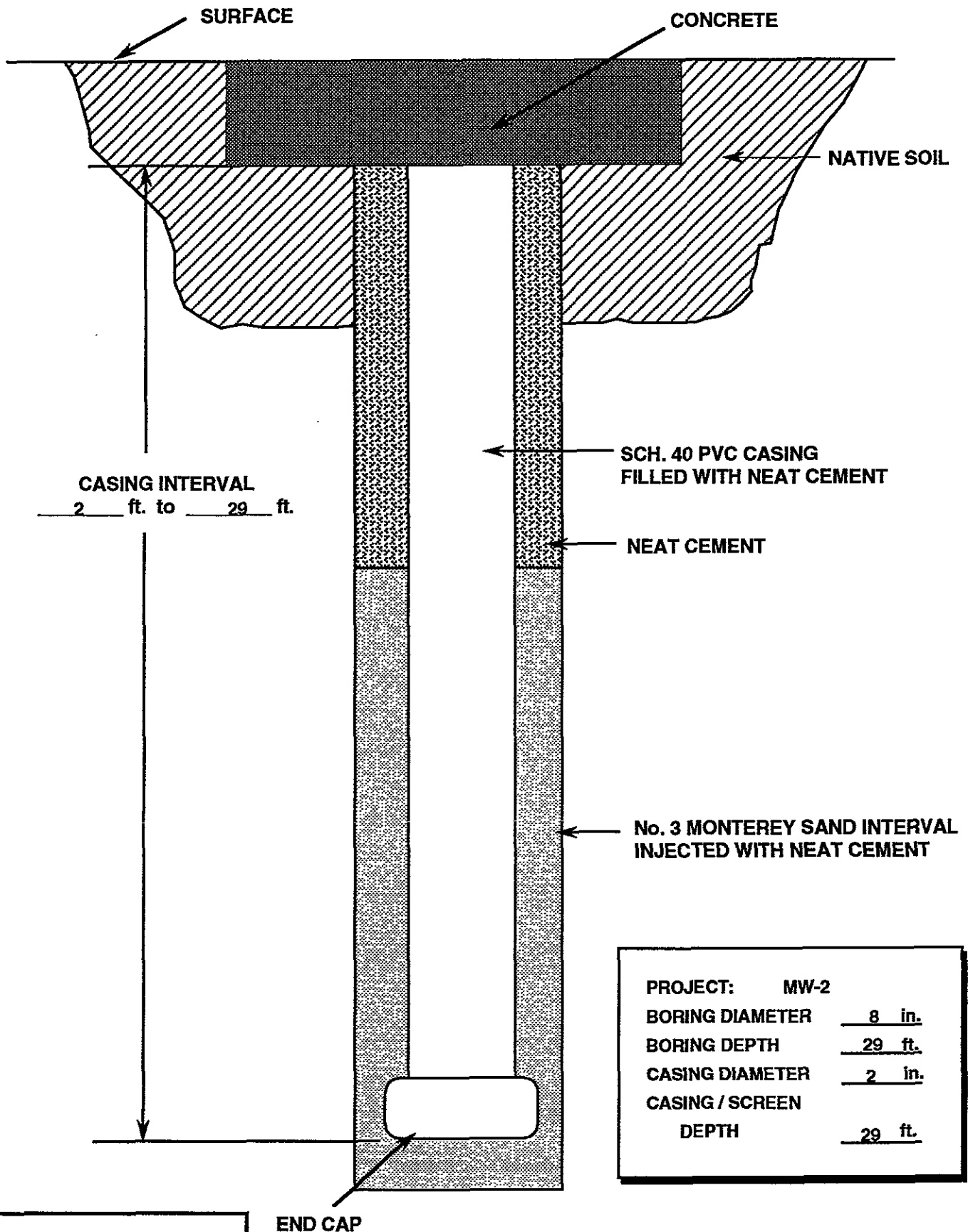
Approved Wyman Hong Date 13 Sep 96
Wyman Hong

APPLICANT'S SIGNATURE Ron Schulz Date 9/4/96
In Atton Geoscience

APPENDIX B

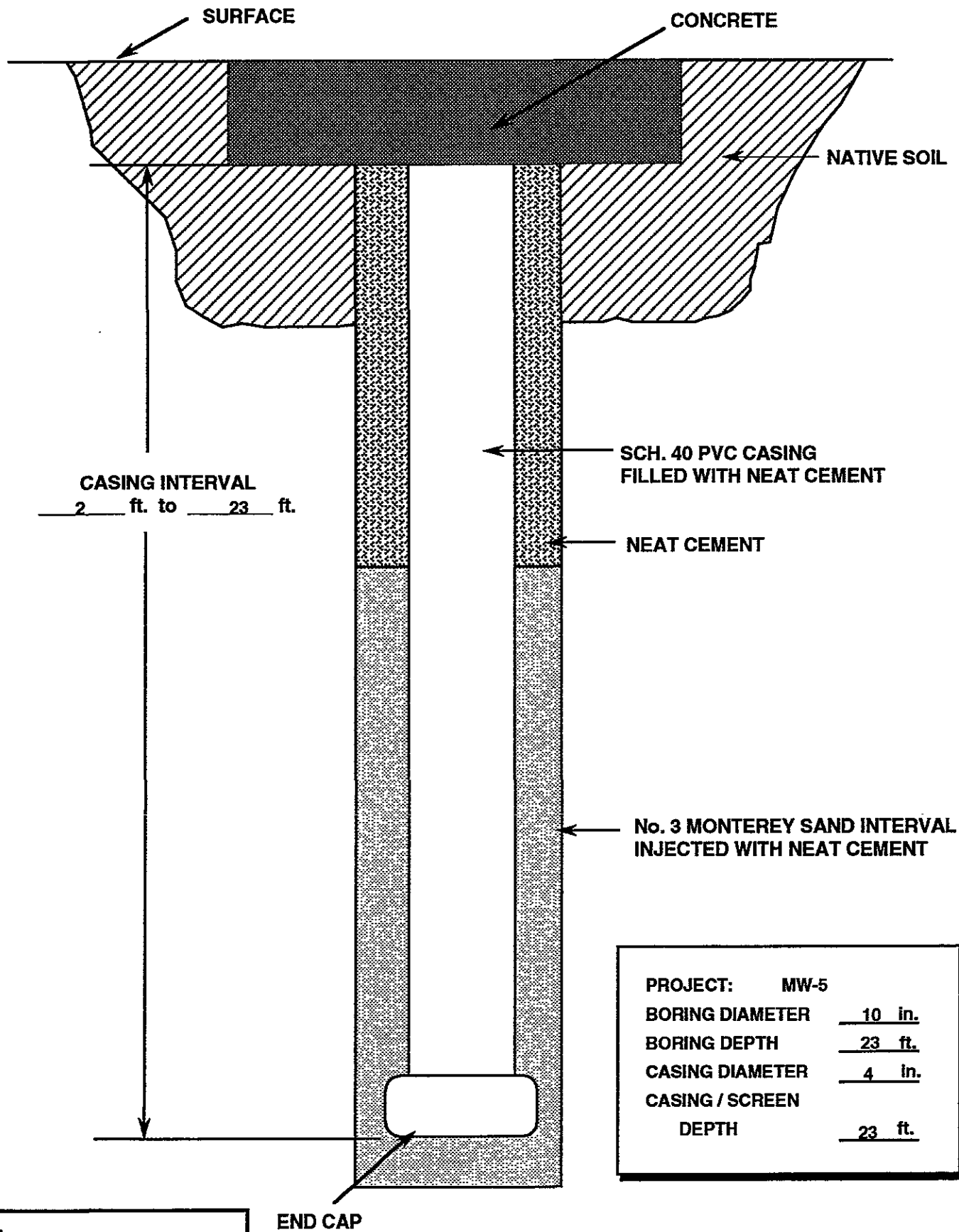
MONITORING WELL ABANDONMENT SCHEMATIC

WELL ABANDONMENT DETAIL



PROJECT:	MW-2
BORING DIAMETER	<u>8 in.</u>
BORING DEPTH	<u>29 ft.</u>
CASING DIAMETER	<u>2 in.</u>
CASING / SCREEN DEPTH	<u>29 ft.</u>

WELL ABANDONMENT DETAIL



CASING INTERVAL
2 ft. to 23 ft.

SCH. 40 PVC CASING
FILLED WITH NEAT CEMENT

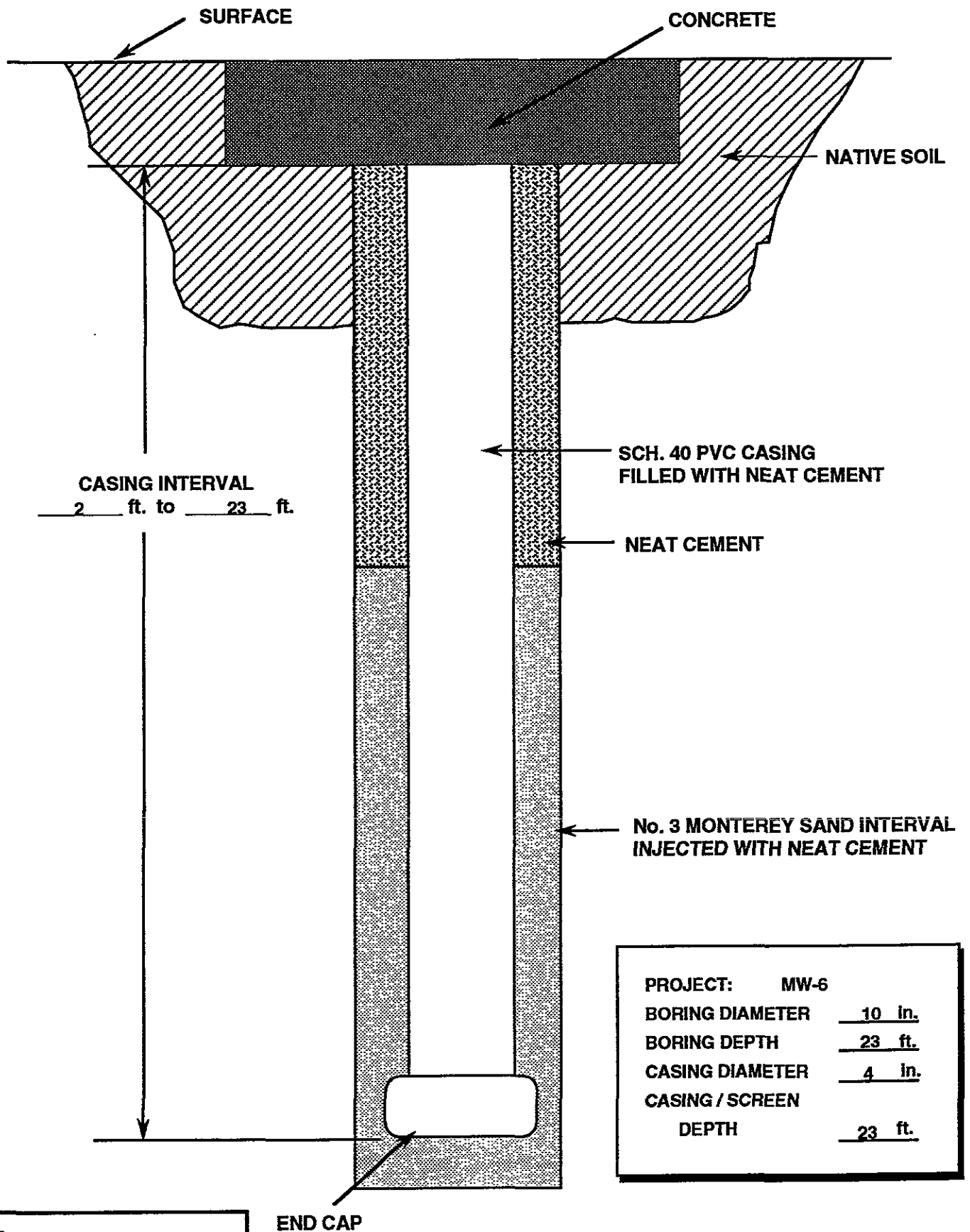
NEAT CEMENT

No. 3 MONTEREY SAND INTERVAL
INJECTED WITH NEAT CEMENT

PROJECT:	MW-5
BORING DIAMETER	10 in.
BORING DEPTH	23 ft.
CASING DIAMETER	4 in.
CASING / SCREEN DEPTH	23 ft.

END CAP

WELL ABANDONMENT DETAIL



CASING INTERVAL
2 ft. to 23 ft.

SCH. 40 PVC CASING
FILLED WITH NEAT CEMENT

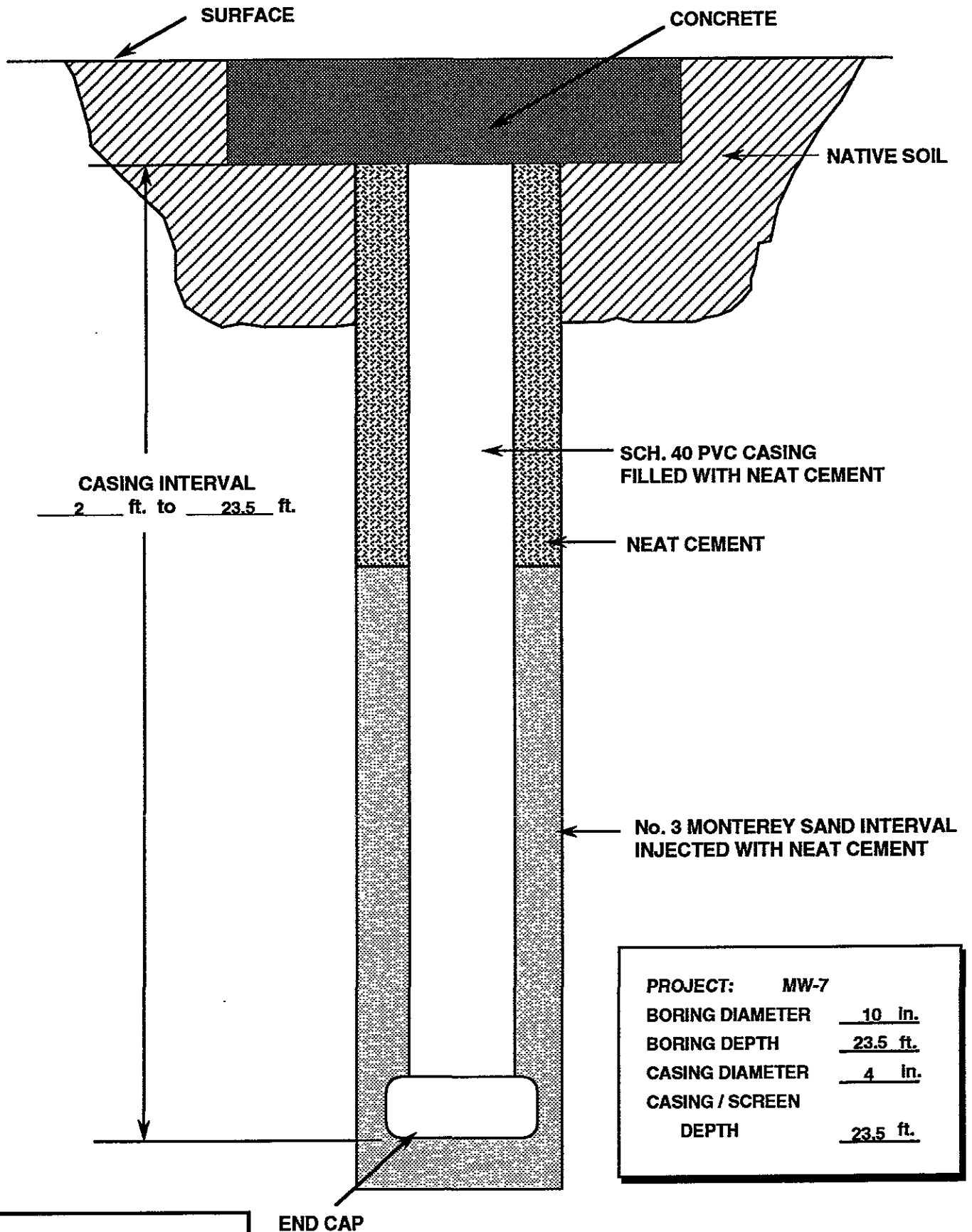
NEAT CEMENT

No. 3 MONTEREY SAND INTERVAL
INJECTED WITH NEAT CEMENT

PROJECT:	MW-6
BORING DIAMETER	10 in.
BORING DEPTH	23 ft.
CASING DIAMETER	4 in.
CASING / SCREEN DEPTH	23 ft.

END CAP

WELL ABANDONMENT DETAIL



PROJECT: MW-7

BORING DIAMETER 10 in.

BORING DEPTH 23.5 ft.

CASING DIAMETER 4 in.

CASING / SCREEN

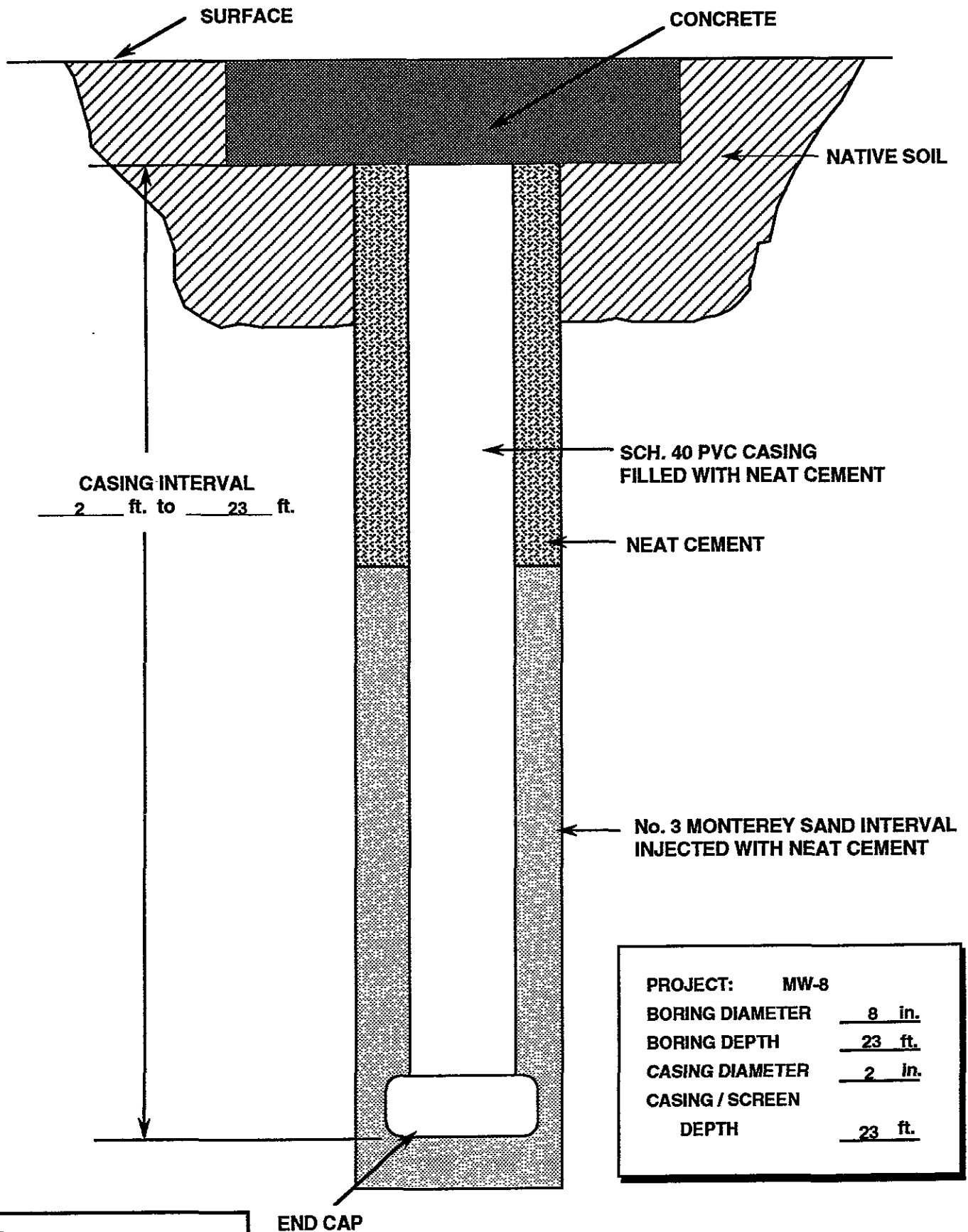
DEPTH 23.5 ft.



**ALTON
GEOSCIENCE**
Livermore, California

Note: Drawing Is Not To Scale

WELL ABANDONMENT DETAIL



PROJECT:	MW-8
BORING DIAMETER	<u>8 in.</u>
BORING DEPTH	<u>23 ft.</u>
CASING DIAMETER	<u>2 in.</u>
CASING / SCREEN DEPTH	<u>23 ft.</u>