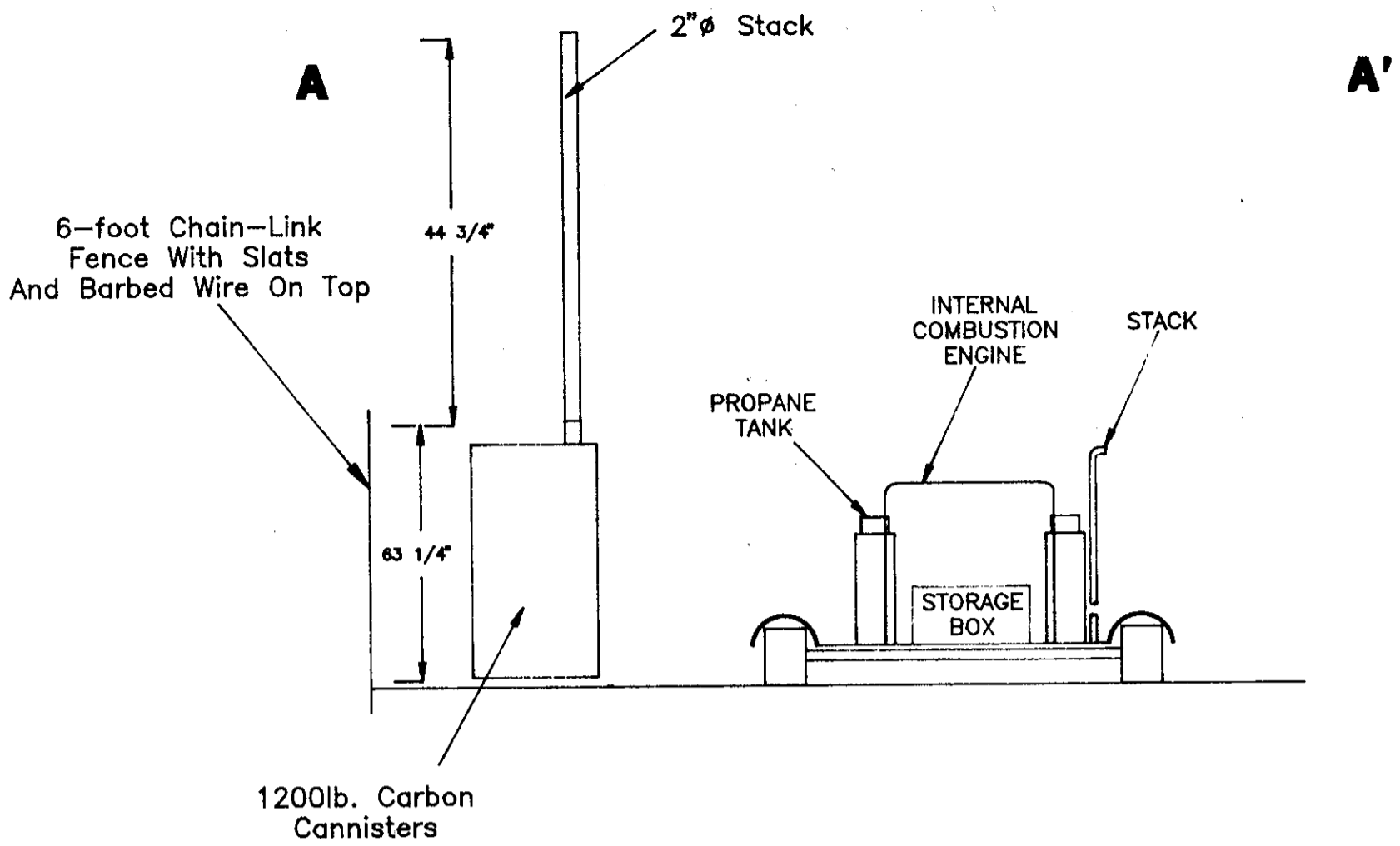


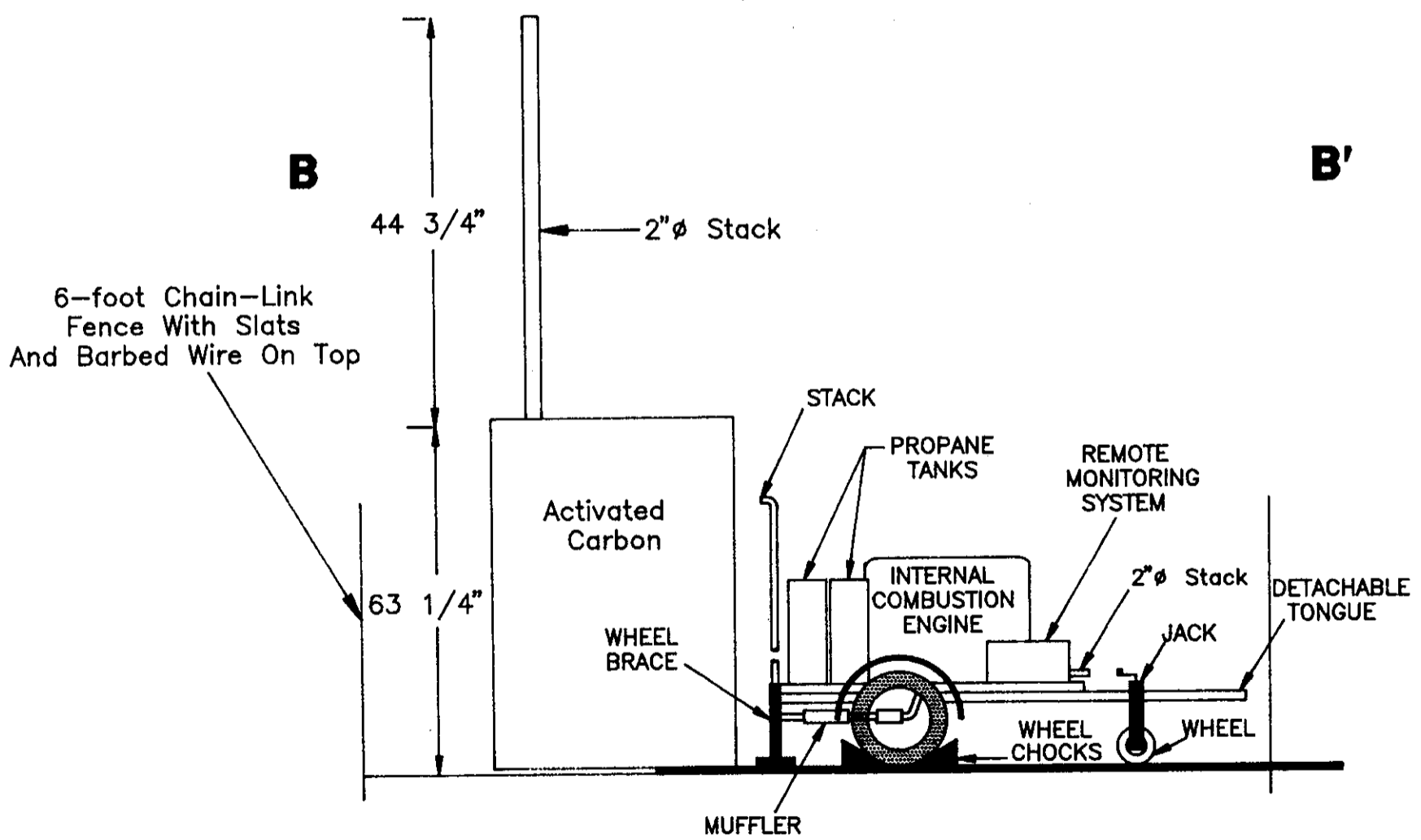
Note: Not Drawn To Scale

PLAN VIEW  
REMEDICATION COMPOUND



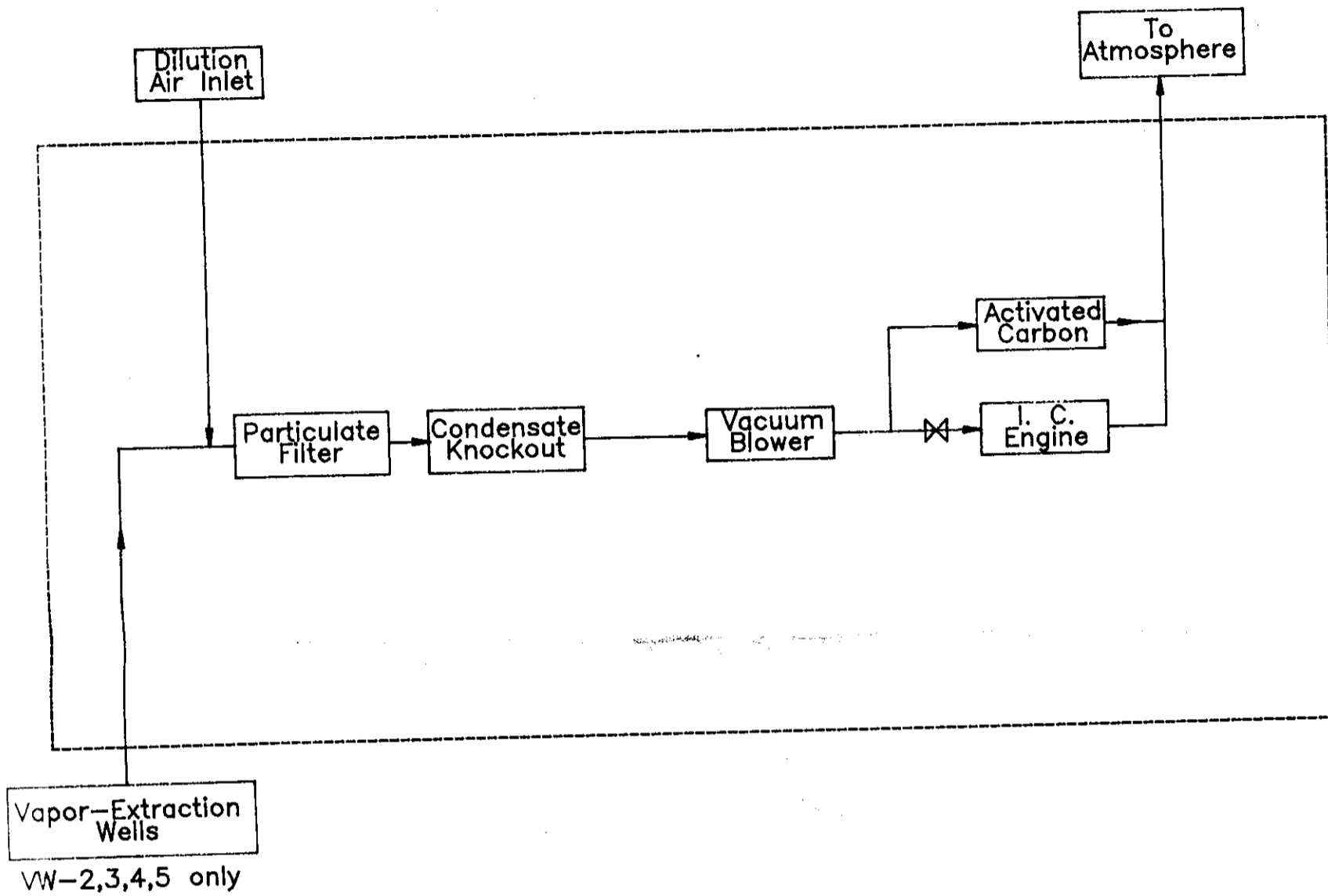
Note: Not Drawn To Scale

CROSS-SECTION A-A'



Note: Not Drawn To Scale

CROSS-SECTION B-B'



= 390 lb

# PROCESS FLOW

**PRELIMINARY  
NOT FOR  
CONSTRUCTION**

No.	Date	Revision	Dwn.	Chk.	App.

**RESNA**

Scale: N/A	Drawn By: KN
Date: 12/3/91	Job Number: 69013.08