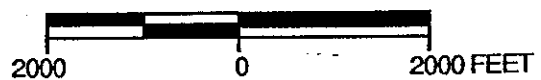


QUADRANGLE
LOCATION

REFERENCES:
 USGS 7.5 MIN. TOPOGRAPHIC MAP
 TITLED: HAYWARD, CALIFORNIA
 DATED: 1959 REVISED: 1980

SCALE



PACIFIC
ENVIRONMENTAL
GROUP, INC.

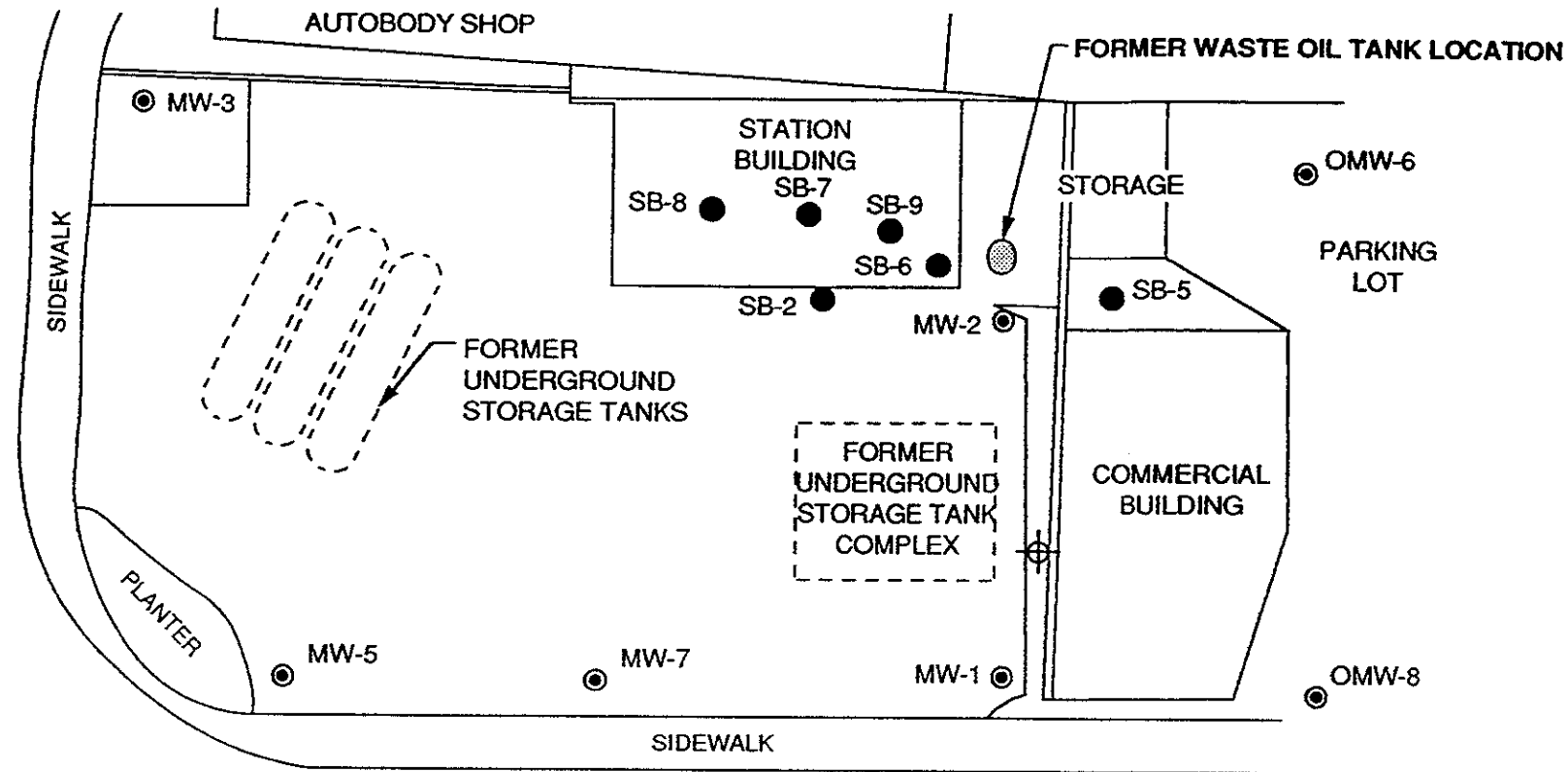
FORMER SHELL SERVICE STATION
 2724 Castro Valley Boulevard at Lake Chabot Road
 Castro Valley, California

SITE LOCATION MAP

FIGURE:
1
PROJECT:
 305-94.01

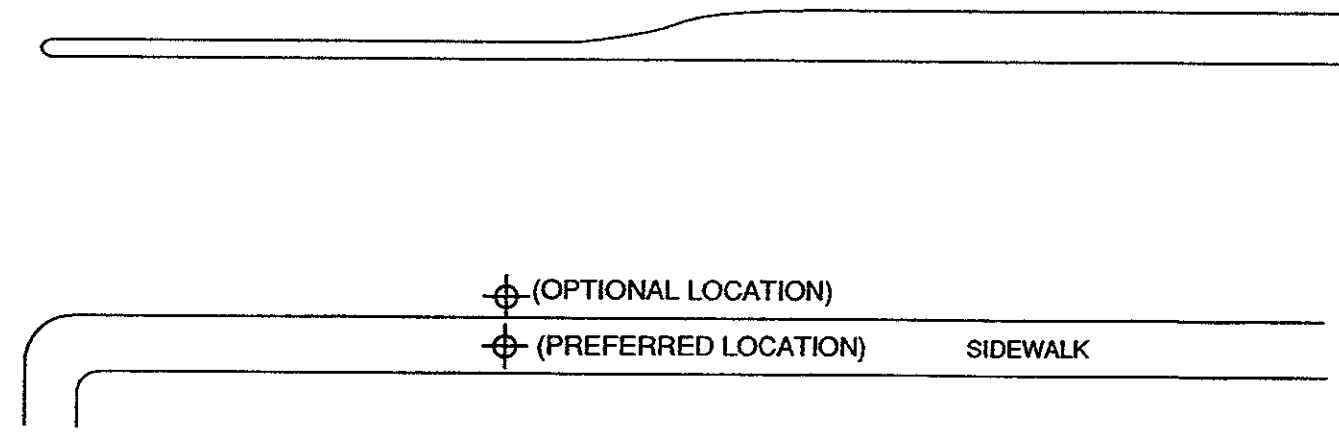


LAKE CHABOT ROAD

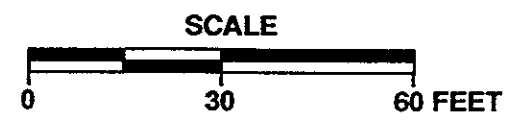


- LEGEND**
- MW-1 ● GROUNDWATER MONITORING WELL LOCATION AND DESIGNATION
 - SB-8 ● SOIL BORING LOCATION AND DESIGNATION
 - OMW-9 ⊕ PROPOSED GROUNDWATER MONITORING WELL LOCATION AND DESIGNATION

CASTRO VALLEY BOULEVARD



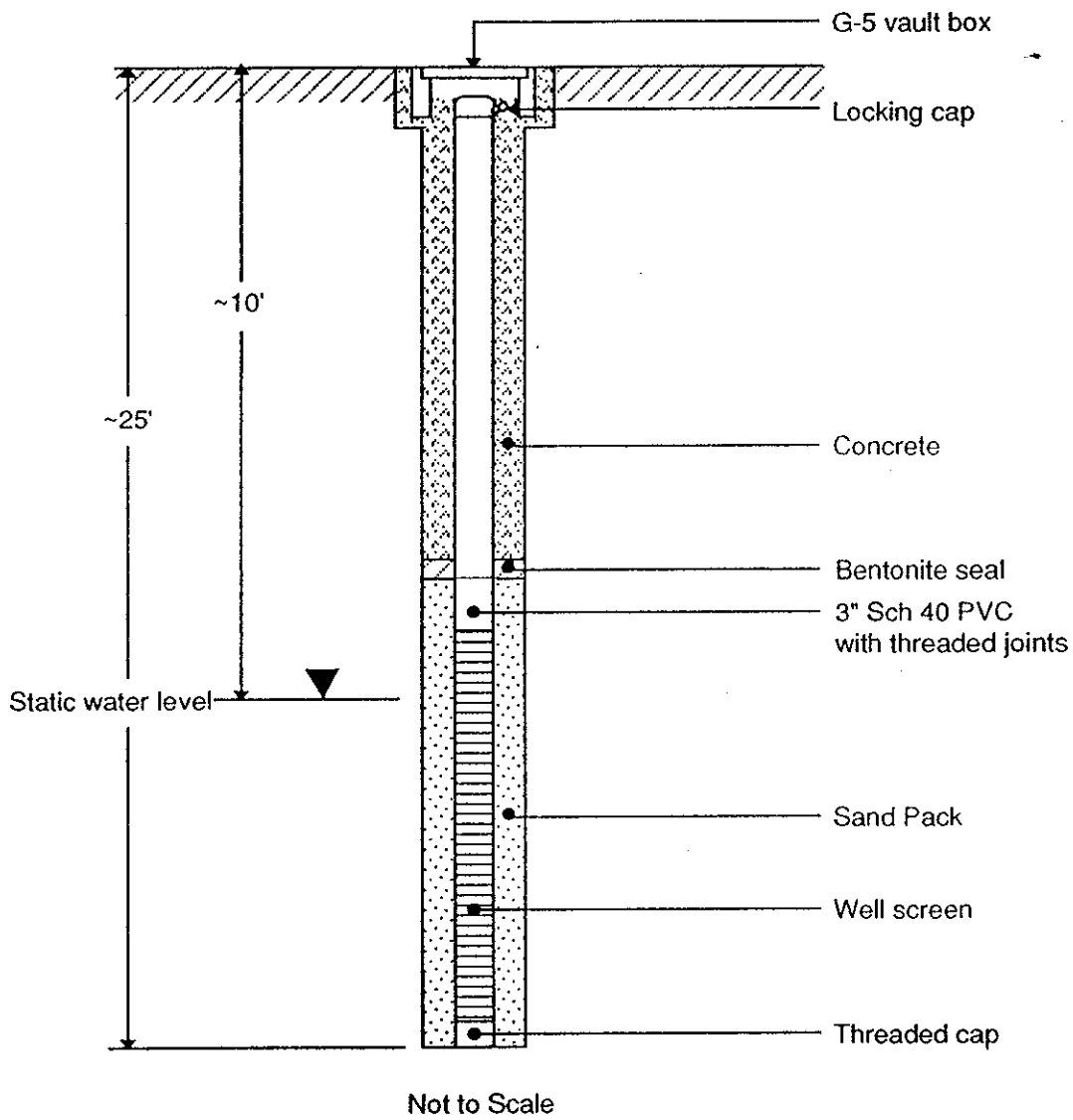
PACIFIC ENVIRONMENTAL GROUP, INC.



FORMER SHELL SERVICE STATION
2724 Castro Valley Boulevard at Lake Chabot Road,
Castro Valley, California

PROPOSED GROUNDWATER MONITORING WELL LOCATION MAP

FIGURE:
2
PROJECT:
305-94.01



PACIFIC
 ENVIRONMENTAL
 GROUP, INC.

FORMER SHELL SERVICE STATION
 2724 Castro Valley Boulevard at Lake Chabot Road
 Castro Valley, California

WELL DETAIL

FIGURE:
 3
 PROJECT:
 305-94.01