

RECEIVED

9499

4:06 pm, May 27, 2009

Alameda County  
Environmental Health

Table 2  
Soil Analytical Data  
Total Petroleum Hydrocarbons  
(TPH as Gasoline and BTEX Compounds)

Unocal Service Station 5430  
1935 Washington Avenue at Castro Street  
San Leandro, California

Boring Number	Sample Depth (feet)	Date Sampled	TPH as Gasoline (ppm)	Benzene (ppm)	Toluene (ppm)	Ethyl-benzene (ppm)	Xylenes (ppm)
U-1	9.5 - 11	08/04/93	<1.0	<0.005	0.079	<0.005	<0.005
	19.5 - 21		<1.0	<0.005	0.20	<0.005	<0.005
	29.5 - 31		<1.0	<0.005	0.029	<0.005	<0.005
U-2	9.5 - 11	08/05/93	<1.0	<0.005	0.041	<0.005	<0.005
	19.5 - 21		<1.0	<0.005	0.1	<0.005	<0.005
	29.5 - 31		<1.0	<0.005	<0.005	<0.005	<0.005
U-3	9.5 - 11	08/05/93	<1.0	<0.005	0.040	<0.005	<0.005
	19.5 - 21		<1.0	<0.005	0.059	<0.005	<0.005
	29.5 - 31		<1.0	0.006	0.007	0.034	<0.005
U-A	9.5 - 11	08/04/93	<1.0	<0.005	0.008	<0.005	<0.005
	19.5 - 21		<1.0	<0.005	0.025	<0.005	<0.005
	29.5 - 31		53	0.80	0.62	1.5	5.3
U-B	9.5 - 11	08/04/93	<1.0	<0.005	0.09	<0.005	<0.005
	19.5 - 21		<1.0	<0.005	0.16	<0.005	<0.005
	29.5 - 31		<1.0	<0.005	0.14	<0.005	<0.005
U-C	9.5 - 11	08/04/93	<1.0	<0.005	0.026	<0.005	<0.005
	19.5 - 21		<1.0	<0.005	0.082	<0.005	<0.005
	29.5 - 31		200	0.78	13	4.2	20
U-D	9.5 - 11	08/04/93	<1.0	<0.005	0.049	<0.005	<0.005
	19.5 - 21		<1.0	<0.005	0.13	<0.005	<0.005
	29.5 - 31		<1.0	<0.005	0.01	<0.005	<0.005
U-E	9.5 - 11	08/04/93	<1.0	<0.005	0.077	<0.005	<0.005
	19.5 - 21		<1.0	<0.005	0.18	<0.005	<0.005
	29.5 - 31		<1.0	<0.005	0.028	<0.005	<0.005
SPA,B,C,D		08/05/93	<1.0	<0.005	0.12	<0.005	<0.005

ppm = Parts per million

**Table 3**  
**Soil Analytical Data**  
**Metals**

Unocal Service Station 5430  
1935 Washington Avenue at Castro Street  
San Leandro, California

Boring Number	Sample Depth (feet)	Date Sampled	TPH as Diesel (ppm)	TOG (ppm)	VOC (ppb)	SVOC (ppb)	Chromium (ppm)	Nickel (ppm)	Lead (ppm)	Zinc (ppm)	STLC Lead (ppm)
U-1	9.5 - 11	08/04/93	<1.0	<50	ND	ND	41	47	8.4	42	0.11

TOG = Total Oil and Grease - Standard Method 5520 B&F (gravimetric)  
VOC = Volatile Organic Compounds - EPA Method 8240  
SVOC = Semivolatile Organic Compounds - EPA Method 8270  
STLC = Soluble Toxicity Limit Concentration  
ppm = Parts per million  
ppb = Parts per billion  
ND = Not detected

Table 4  
**Groundwater Analytical Data**  
 Total Petroleum Hydrocarbons  
 (TPH as Gasoline and BTEX Compounds)

Unocal Service Station 5430  
 1935 Washington Avenue at Castro Street  
 San Leandro, California

Well Number	Date Sampled	TPH as Gasoline (ppb)	Benzene (ppb)	Toluene (ppb)	Ethyl-benzene (ppb)	Xylenes (ppb)
U-1	08/13/93	310	0.84	<50	2.6	1
U-2	08/13/93	1,400	<1.0	<1.0	<1.0	<5.0
U-3	08/13/93	23,000	1,000	<50	1,700	1,600

ppb = Parts per billion

Table 5  
**Groundwater Analytical Data**  
**Total Petroleum Hydrocarbons**  
**(TPH as Diesel and Total Oil and Grease)**

Unocal Service Station 5430  
 1935 Washington Avenue at Castro Street  
 San Leandro, California

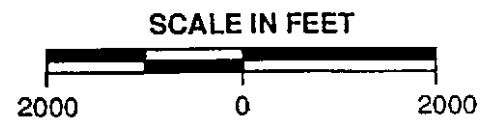
Well Number	Date Sampled	TPH as Diesel (ppb)	Total Oil and Grease (ppb)
U-1	08/13/93	50 a	<1,000
ppb = Parts per billion a. Not a typical diesel pattern; lower boiling hydrocarbons in the boiling range of Stoddard calculated as diesel.			




**LEGEND**

- 1 ● LOCATION OF ADJACENT ACTIVE FUEL LEAK SITE, WEBBER MOTERS
- 2 ● LOCATION OF ADJACENT ACTIVE FUEL LEAK SITE, MARTIN PROPERTY

**REFERENCES:**  
 USGS 7.5 MIN. TOPOGRAPHIC MAP  
 TITLED: SAN LEANDRO CALIFORNIA  
 DATED: 1959 REVISED: 1980

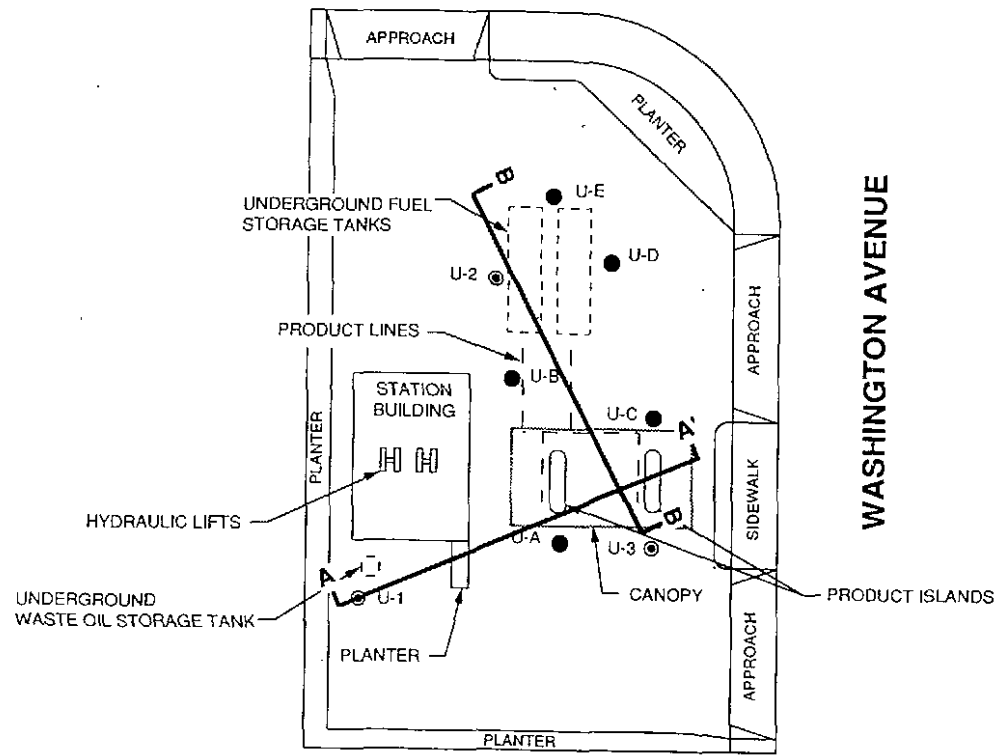


 <p>PACIFIC ENVIRONMENTAL GROUP, INC.</p>	<p><b>UNOCAL SERVICE STATION 5430</b>          1935 Washington Avenue at Castro Street          San Leandro, California</p>	<p>FIGURE:  <b>1</b>          PROJECT:          310-38.01</p>
	<p><b>SITE LOCATION MAP</b></p>	



CASTRO STREET

WASHINGTON AVENUE



LEGEND

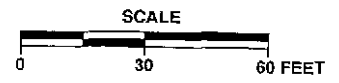
- U-2 ● GROUNDWATER MONITORING WELL LOCATION
- U-D ● EXPLORATORY SOIL BORING LOCATION AND DESIGNATION
- A A' LINE OF GEOLOGIC CROSS-SECTION



APPROXIMATE DIRECTION OF GROUNDWATER FLOW



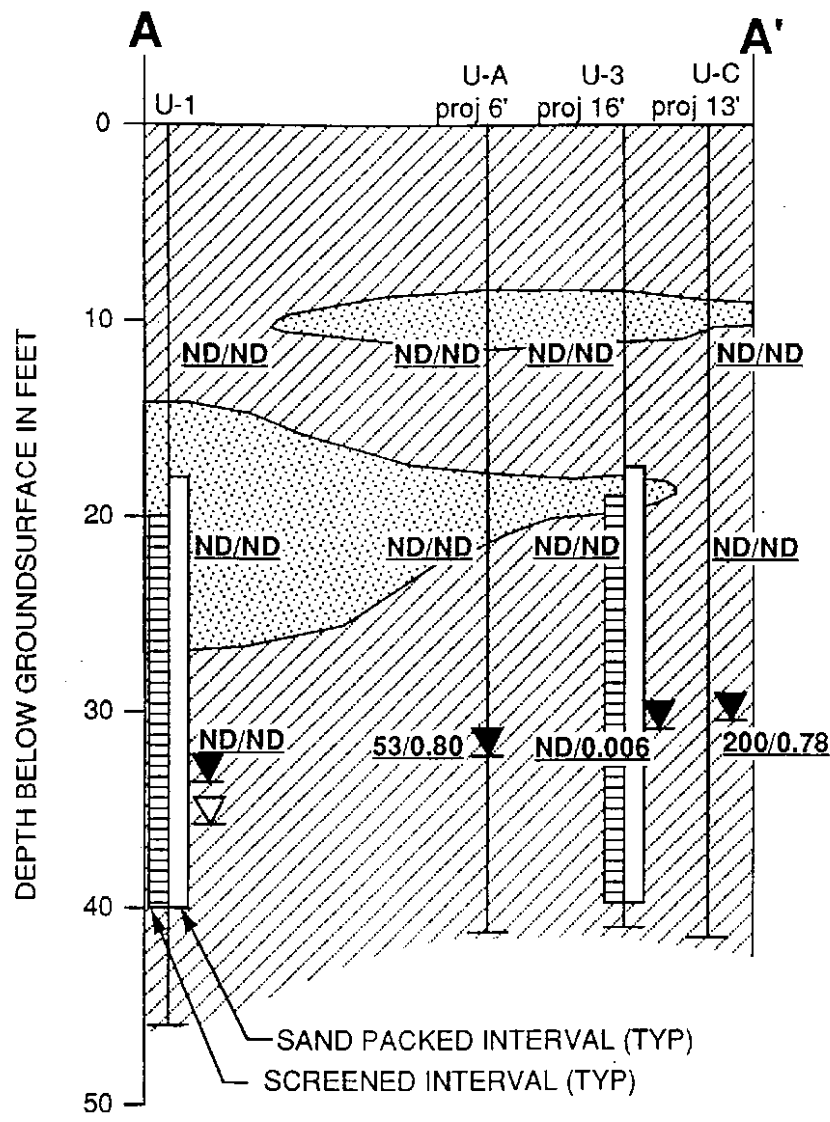
PACIFIC ENVIRONMENTAL GROUP, INC.



UNOCAL SERVICE STATION 5430  
1935 Washington Avenue at Castro Street  
San Leandro, California

SITE MAP

FIGURE:  
**2**  
PROJECT:  
310-38.01



**LEGEND**

- PRIMARILY FINE GRAINED DEPOSITS - SILT AND CLAY
- PRIMARILY COARSE GRAINED DEPOSITS - SAND AND GRAVEL

U-1 GROUNDWATER MONITORING WELL LOCATION AND DESIGNATION

U-A SOIL BORING LOCATION AND DESIGNATION

proj PROJECTED ONTO LINE OF SECTION IN FEET

FIRST ENCOUNTERED WATER LEVEL

STATIC WATER LEVEL

**200/0.78** TPH-g/BENZENE CONCENTRATION IN SOIL,  
IN PARTS PER MILLION, 8-6-93

**ND** NOT DETECTED

**SCALE**

HORIZONTAL : 1" = 30'  
VERTICAL : 1" = 10'

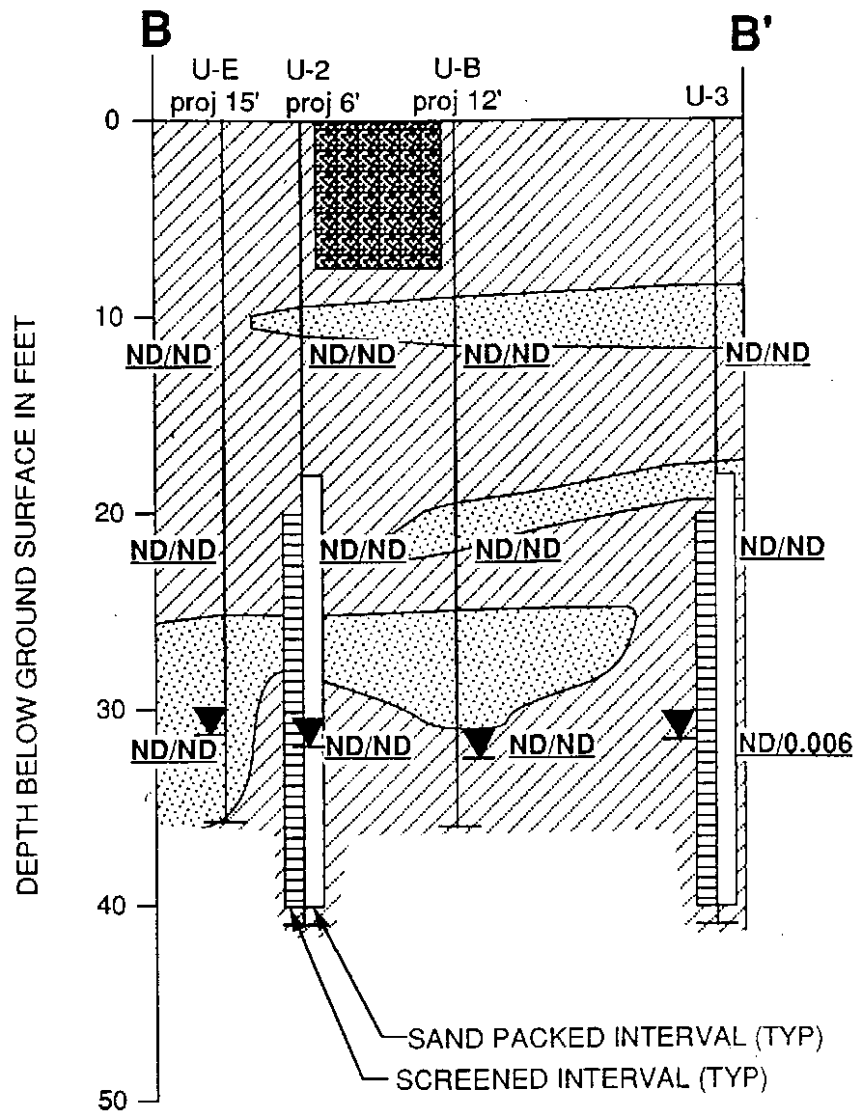


PACIFIC  
ENVIRONMENTAL  
GROUP, INC.

**UNOCAL SERVICE STATION 5430**  
1935 Washington Avenue at Castro Street  
San Leandro, California

**GEOLOGIC CROSS-SECTION A-A'**

FIGURE:  
**3**  
PROJECT:  
310-38.01



**LEGEND**

- TANK COMPLEX BACKFILL
- PRIMARILY FINE GRAINED DEPOSITS - SILT AND CLAY
- PRIMARILY COARSE GRAINED DEPOSITS - SAND AND GRAVEL
- U-1 GROUNDWATER MONITORING WELL LOCATION AND DESIGNATION
- U-A SOIL BORING LOCATION AND DESIGNATION
- proj PROJECTED ONTO LINE OF SECTION
- STATIC WATER LEVEL

**ND/0.006** TPH-g/BENZENE CONCENTRATION IN SOIL,  
IN PARTS PER MILLION, 8-6-93

**ND** NOT DETECTED

**SCALE**

HORIZONTAL : 1" = 30'  
VERTICAL : 1" = 10'



PACIFIC  
ENVIRONMENTAL  
GROUP, INC.

**UNOCAL SERVICE STATION 5430**  
1935 Washington Avenue at Castro Street  
San Leandro, California

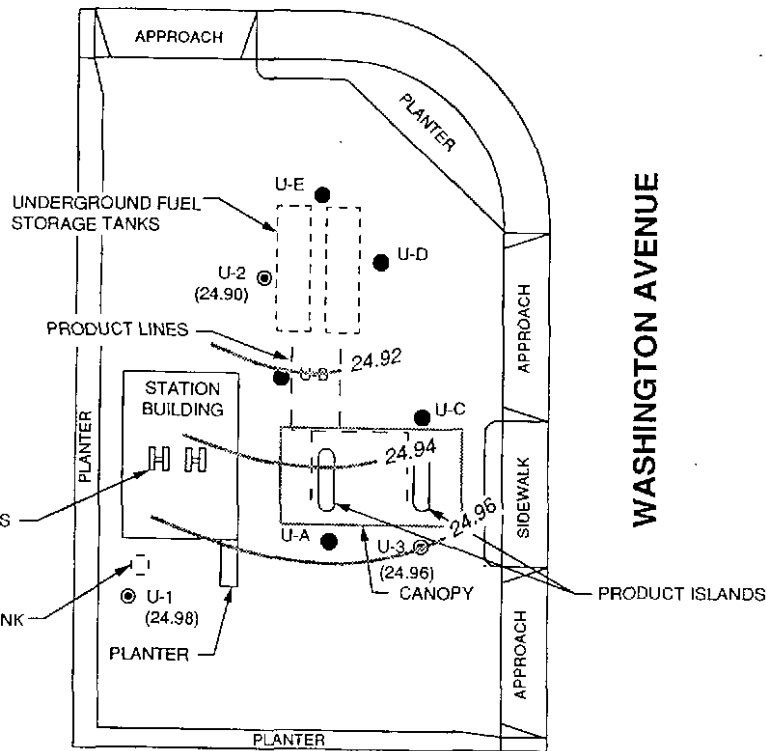
**GEOLOGIC CROSS-SECTION B-B'**

FIGURE:  
**4**  
PROJECT:  
310-38.01





CASTRO STREET



**LEGEND**

U-2 ● GROUNDWATER MONITORING WELL LOCATION

U-D ● EXPLORATORY SOIL BORING LOCATION AND DESIGNATION

(24.90) GROUNDWATER ELEVATION IN FEET - MSL, 8-6-93

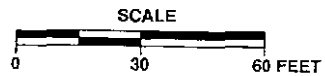
24.92 — GROUNDWATER ELEVATION CONTOUR IN FEET - MSL, 8-6-93



APPROXIMATE DIRECTION OF GROUNDWATER FLOW



PACIFIC ENVIRONMENTAL GROUP, INC.



UNOCAL SERVICE STATION 5430  
1935 Washington Avenue at Castro Street  
San Leandro, California

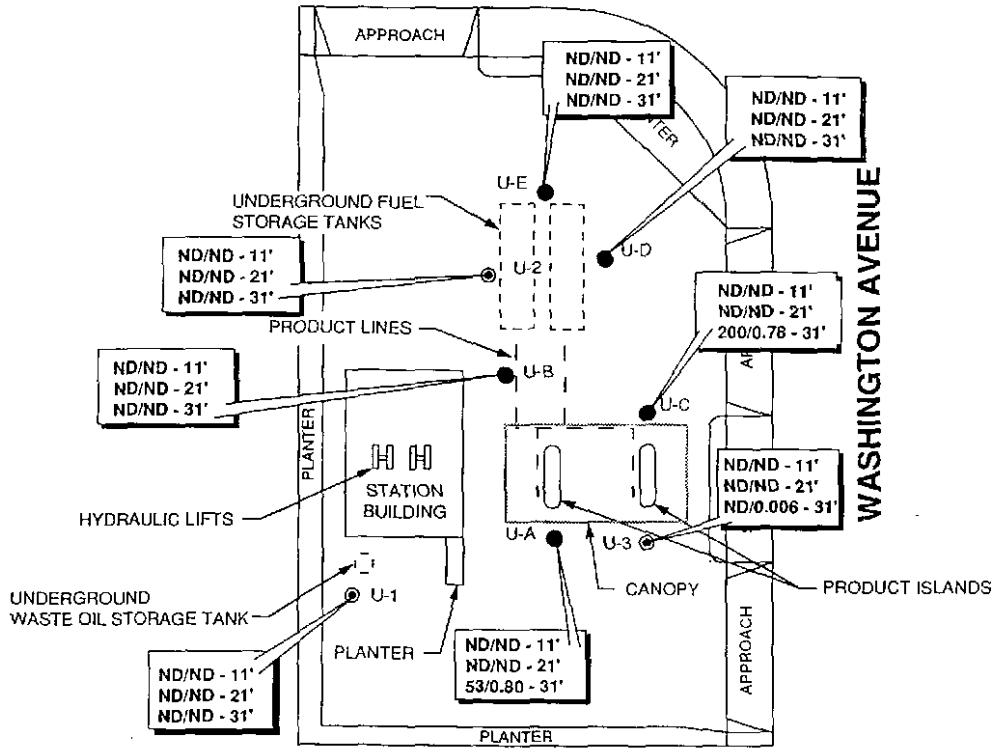
GROUNDWATER ELEVATION CONTOUR MAP

FIGURE:  
5

PROJECT:  
310-38.01



# CASTRO STREET



### LEGEND

U-2 ● GROUNDWATER MONITORING WELL LOCATION

U-D ● EXPLORATORY SOIL BORING LOCATION AND DESIGNATION

200/0.78 - 31' TPH-g/BENZENE CONCENTRATION IN SOIL, IN PARTS PER MILLION, 8-6-93

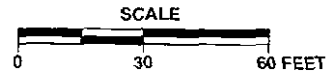
ND NOT DETECTED



APPROXIMATE DIRECTION OF GROUNDWATER FLOW



PACIFIC ENVIRONMENTAL GROUP, INC.



UNOCAL SERVICE STATION 5430  
1935 Washington Avenue at Castro Street  
San Leandro, California

TPH-g/BENZENE CONCENTRATION IN SOIL

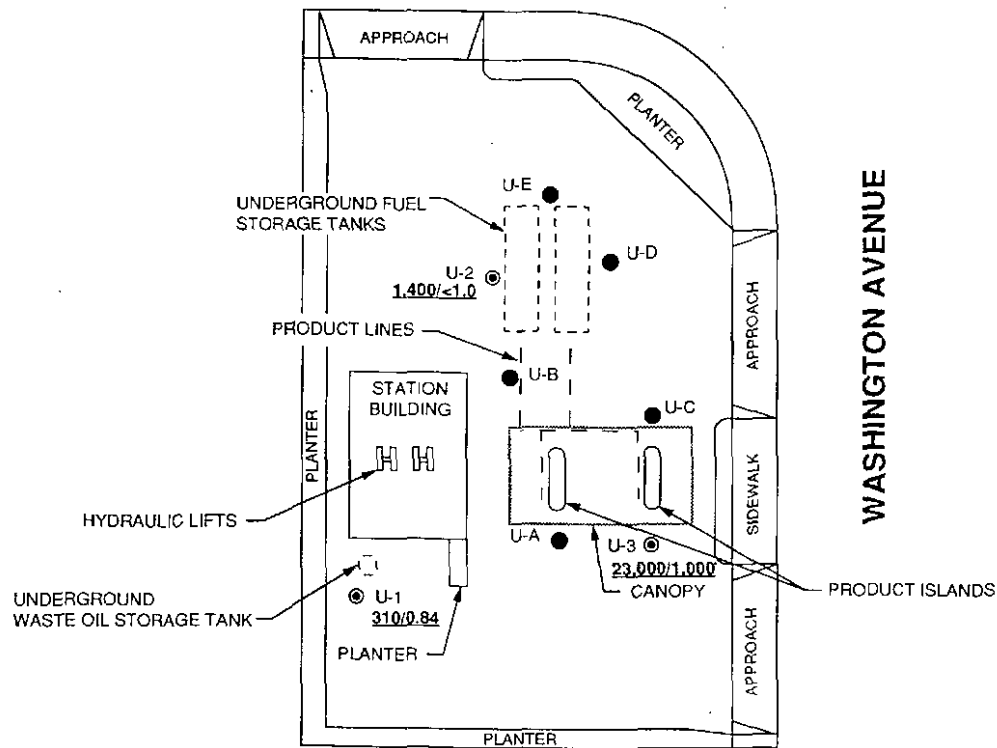
FIGURE:  
**6**

PROJECT:  
310-38.01



CASTRO STREET

WASHINGTON AVENUE



**LEGEND**

U-2 ● GROUNDWATER MONITORING WELL LOCATION

U-D ● EXPLORATORY SOIL BORING LOCATION AND DESIGNATION

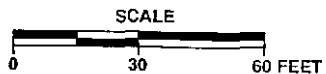
23,000/1,000 TPH-g/BENZENE CONCENTRATION IN GROUNDWATER, IN PARTS PER BILLION, 8-6-93



APPROXIMATE DIRECTION OF GROUNDWATER FLOW



PACIFIC ENVIRONMENTAL GROUP, INC.



UNOCAL SERVICE STATION 5430  
1935 Washington Avenue at Castro Street  
San Leandro, California

TPH-g/BENZENE CONCENTRATION MAP

FIGURE:  
**7**  
PROJECT:  
310-38.01