



Alameda-Contra Costa Transit District

March 27, 2012

Mr. Keith Nowell  
Alameda County Health Division  
Division of Environmental Protection  
Department of Environmental Health  
1131 Harbor Bay Parkway, Second Floor  
Alameda, CA 94502

**RECEIVED**

*3:46 pm, Mar 29, 2012*

Alameda County  
Environmental Health

Dear Mr. Nowell:

Subject: Groundwater Monitoring Report – First Quarter 2012  
AC Transit, 1177 47<sup>th</sup> Street, Emeryville


AC Transit hereby submits the enclosed groundwater monitoring report for the AC Transit facility located at 1177 47<sup>th</sup> Street in Emeryville. The report was prepared by our consultant, Cameron-Cole, and contains the results of groundwater monitoring performed on February 23 and 24, 2012, from 16 monitoring wells. Well MW-13 was measured to have 0.04 feet of free product and was not sampled for chemical analysis.

Sampling results indicated total petroleum hydrocarbons (TPH) as degraded diesel were measured above the environmental screening level (ESL) of 100 µg/l in monitoring wells MW-6, MW-7, MW-10, and W-1. Degraded gasoline was detected above the ESL of 100 µg/l in monitoring wells MW-6, MW-7, MW-8, MW-10, and W-1. Benzene was detected above the ESL of 1 µg/l in monitoring wells MW-6 and W-1. MTBE was not detected above the Maximum Contaminant Level (MCL) of 13 µg/l in any well sampled. Monthly purging of well MW-13 continues to be performed as an interim remedial measure.

I declare, under penalty of perjury, that the information and/or recommendations contained in the attached document or report is true and correct to the best of my knowledge.

If you have any questions or comments regarding the enclosed report, please call me at (510) 891-4863.

Sincerely,

  
Suzanne Chaewsky, P.E.  
Manager, Safety and Environmental Engineering

Enclosure

**FIRST QUARTER 2012  
GROUNDWATER MONITORING REPORT  
FOR THE AC TRANSIT FACILITY  
LOCATED AT 1177 47<sup>th</sup> STREET,  
EMERYVILLE, CALIFORNIA**

**March 2012**

**Prepared For:**

Ms. Suzanne Chaewsky  
AC Transit  
10626 International Boulevard  
Oakland, California 94603



**Prepared By:**

Cameron-Cole  
50 Hegenberger Loop  
Oakland, California 94621



FIRST QUARTER 2012  
GROUNDWATER MONITORING REPORT  
FOR THE AC TRANSIT FACILITY  
LOCATED AT 1177 47<sup>th</sup> STREET,  
EMERYVILLE, CALIFORNIA

March 2012

Prepared For:

Ms. Suzanne Chaewsky  
AC Transit  
10626 International Boulevard  
Oakland, California 94603



Prepared By:

Cameron-Cole  
50 Hegenberger Loop  
Oakland, California 94621



Received By  
#6276 Brad Wright, PG, CHG  
Exp. 9/12 Principle Hydrogeologist

*Dennis C. Baker*  
Written By  
Dennis Baker  
Environmental Specialist

## TABLE OF CONTENTS

INTRODUCTION .....	1
GROUNDWATER MONITORING .....	1
Groundwater Elevations and Flow Direction .....	1
Groundwater Sampling Activities .....	2
Groundwater Analytical Results .....	2
SUMMARY OF RESULTS .....	3
PROJECTED WORK AND RECOMMENDATIONS.....	3

## LIST OF FIGURES

Figure 1	Site Location Map
Figure 2	Potentiometric Surface Map Including Groundwater Flow Direction

## LIST OF TABLES

Table 1	Groundwater Level Measurements
Table 2	Analytical Results of Groundwater Samples
Table 3	MW-13 Monthly Over Purge

## APPENDICES

APPENDIX A ...Chain-of-Custody Documentation, Certified Analytical Reports, and Field Data Sheets
---

## **INTRODUCTION**

This report presents the results from the first quarter 2012 groundwater monitoring event for the AC Transit Facility located at 1177 47<sup>th</sup> Street, Emeryville, California (Figure 1). The first quarter 2012 groundwater monitoring event was performed by Cameron-Cole on February 23<sup>rd</sup> through 24<sup>th</sup>, 2012. Groundwater monitoring at the Emeryville facility is performed on a semiannual schedule in accordance with directives from Alameda County Health Care Services (ACHCS).

## **GROUNDWATER MONITORING**

Work performed during this sampling event included measuring for the presences of free-phase hydrocarbons and depth to water in 19 monitor wells, collecting groundwater samples from 16 monitor wells (MW-1 through MW-12, MW-14 through MW-16, and W-1), and overpurging monitor well MW-13. A groundwater sample was not collected from MW-13 due to the presence of a hydrocarbon sheen. The groundwater samples were analyzed for total extractable petroleum hydrocarbons (TEPH) as gasoline (TPH-g), benzene, toluene, ethylbenzene, xylenes (BTEX), and methyl tertiary-butyl ether (MTBE) by Environmental Protection Agency (EPA) Method 8260B, and for TEPH as diesel and motor oil (TPH-d and TPH-m) using EPA Method 8015 Modified. Prior to conducting EPA Method 8015 Modified, the laboratory prepared the TPH-d and TPH-m samples utilizing silica gel cleanup.

Figure 2 displays all the site monitor wells. Chain-of-custody documents, field data sheets, and certified analytical reports are included in Appendix A.

### **Groundwater Elevations and Flow Direction**

On February 23, 2012, all 19 monitor wells (16 on-site and 3 off-site) were inspected and measured for the presence of free-phase hydrocarbons and depth to groundwater. Measurements of the depths to groundwater are presented in Table 1 and were used to construct the groundwater elevation contours in Figure 2. As shown, groundwater flow is to the west at a gradient of 0.022 feet/foot. Monitor well MW-13 was the only well with a free-phase hydrocarbon layer, which measured 0.04

feet. Overpurging of MW-13 was performed to remove the free-phase hydrocarbon layer. Overpurging of MW-13 has been conducted monthly since March 2009 (Table 3).

### **Groundwater Sampling Activities**

Prior to sample collection, the monitor wells were purged a minimum of three casing volumes using a centrifugal pump. Samples were collected using disposable polyethylene bailers. During well purging, field parameters for temperature, electrical conductivity, pH, and turbidity were monitored using calibrated field meters.

Groundwater samples were collected in 40-milliliter glass vials preserved with hydrochloric acid for analysis by EPA Method 8260B and one-liter non-preserved amber glass containers for analysis by EPA Method 8015 M and placed in an ice-filled cooler for shipment under chain-of-custody to a State of California certified laboratory. A trip blank was submitted for analysis by EPA Method 8260B.

### **Groundwater Analytical Results**

Table 2 presents the groundwater analytical results for the first quarter 2012 sampling event. Benzene was detected above the Maximum Contaminate Level (MCL) of 1.0 ug/l in monitor well MW-6 (29.8 ug/l), and W-1 (9.0 ug/l). TPH as degraded diesel was detected above the environmental screening level (ESL) of 100 micrograms per liter (ug/l) in monitor wells MW-6 (12,100 ug/l), MW-7 (121 ug/l), MW-10 (6,590ug/l), and W-1 (985 ug/l). Degraded gasoline was detected above the 100 ug/l ESL in monitor wells MW-6 (1,770 ug/l), MW-7 (288 ug/l), MW-8 (106 ug/l), MW-10 (163 ug/l) and W-1 (4,830 ug/l). MTBE was detected above the 5 ug/l ESL in monitor wells MW-12, MW-14 and MW-15. No analytes were detected in the trip blank or method blank. A lab control spike and lab control spike duplicate passed the EPA's criteria for acceptance.

## **SUMMARY OF RESULTS**

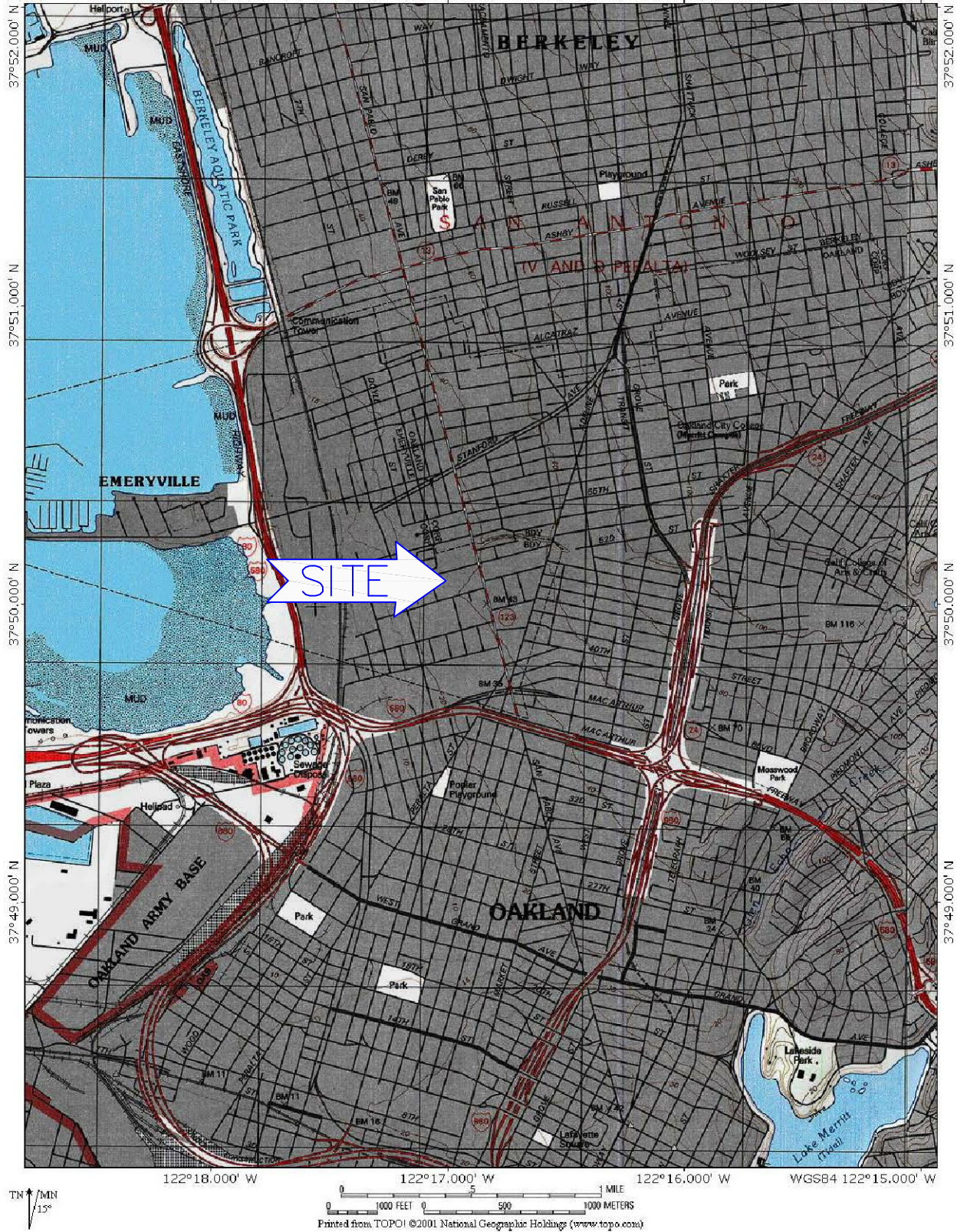
- Groundwater flow is to the west at a gradient of 0.022 feet/foot.
- The free phase hydrocarbon layer measured in MW-13 was removed by over purging.
- Benzene was detected above the MCL of 1.0 ug/l in MW-6 and W-1.
- TPH-d was detected above the 100 ug/l ESL in monitor wells MW-6, MW-7, MW-10 and W-1.
- TPH-g was detected above the 100 ug/l ESL in monitor wells MW-6, MW-7, MW-8, MW-10 and W-1.
- MTBE was detected above the 5 ug/l ESL in monitor wells MW-12, MW-14 and MW-15. Concentrations of MTBE were below the 13 ug/l MCL in all site monitor wells.

## **PROJECTED WORK AND RECOMMENDATIONS**

Semi-annual groundwater sampling of monitor wells MW-1 through MW-16 and W1 is scheduled for August 2012. This event will include site-wide depth to groundwater level measurements, including inspection of each monitor well for free-phase hydrocarbon. Additionally, monthly overpurging of MW-13 will continue if a free-phase hydrocarbon layer is present.

## FIGURES





2036-003A

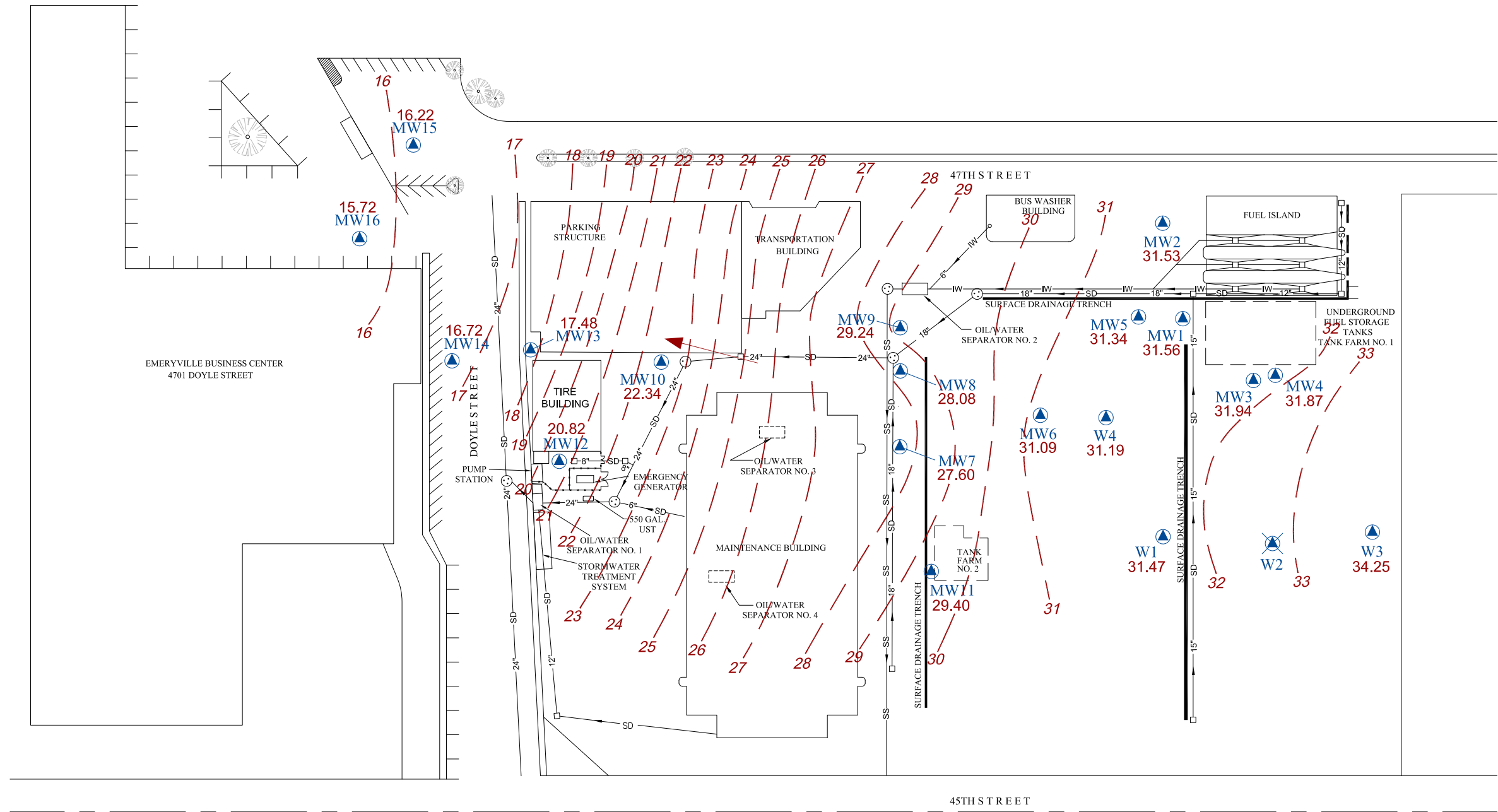


**Cameron-Cole**  
101 WEST ATLANTIC AVENUE, BUILDING 90  
ALAMEDA, CALIFORNIA 94501  
PHONE: 510-337-8660  
FAX: 510-337-3994  
<http://www.cameron-cole.com>

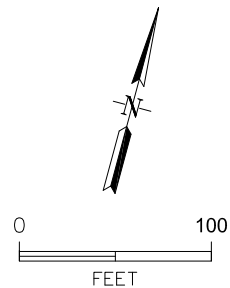
FIGURE 1  
SITE LOCATION MAP  
AC TRANSIT – EMERYVILLE  
EMERYVILLE, CALIFORNIA

SCALE:	AS NOTED	DATE:	05-08-09
--------	----------	-------	----------





LEGEND	
	MANHOLE
	CATCH BASIN
	STORM DRAIN PIPELINE
	SANITARY SEWER PIPELINE
	INDUSTRIAL WASTE PIPELINE
	CHAIN LINK FENCE
	MONITOR WELL
	ABANDONED MONITOR WELL
31.56	POTENTIOMETRIC SURFACE ELEVATION
26	POTENTIOMETRIC SURFACE CONTOUR
	GROUNDWATER FLOW DIRECTION



BY	DATE
DRAWN AJW	03/22/12
CHECKED	
APPROVED	
APPROVED	
APPROVED	

**Cameron-Cole**
  
 50 HEGENBERGER LOOP
   
 OAKLAND, CALIFORNIA 94621
   
 PHONE: 510-777-1870
   
 FAX: 510-777-1871
   
<http://www.cameron-cole.com>

FIGURE 2	
POTENTIOMETRIC SURFACE CONTOUR MAP- FEBRUARY 23, 2012 AC TRANSIT, EMERYVILLE, CA	
SCALE: 1" = 100'	DWG. NO.: SITE0312.DWG

## TABLES

**TABLE 1**  
**GROUNDWATER LEVEL MEASUREMENTS**  
**AC TRANSIT**  
**1177 47TH STREET, EMERYVILLE, CALIFORNIA**

Well	Date	Top of Casing Elevation (ft-msl)	Product Thickness (fct)	Depth To Water (fct)	Groundwater Elevation (ft-msl)	Groundwater Elevation Corrected from Product Thickness* (ft-msl)
MW-1	8/31/1999	32.56	None	3.24	29.32	NA
	11/23/1999		None	4.55	28.01	NA
	3/1/2000		None	3.65	28.91	NA
	5/17/2000		None	4.08	28.48	NA
	8/30/2000		None	5.18	27.38	NA
	12/18/2000		None	4.86	27.7	NA
	3/20/2001		None	4.22	28.34	NA
	6/7/2001		None	4.88	27.68	NA
	9/20/2001		None	4.97	27.59	NA
	12/14/2001		None	3.59	28.97	NA
	2/27/2002		None	4.03	28.53	NA
	5/16/2002		None	4.32	28.24	NA
	9/18/2002		None	4.61	27.95	NA
	10/30/2002		None	4.74	27.82	NA
	2/6/2003		None	4.08	28.48	NA
	5/1/2003		None	3.68	28.88	NA
	8/26/2003		None	4.64	27.92	NA
	11/20/2003		None	4.57	27.99	NA
	2/10/2004		None	3.95	28.61	NA
	5/18/2004		None	4.45	28.11	NA
	8/30/2004		None	5.14	27.42	NA
	11/17/2004		None	4.2	28.36	NA
	2/23/2005		None	3.55	29.01	NA
	11/2/2005**		None	5.14	27.42	NA
	5/28/2006**		None	4.05	28.51	NA
	11/12/2006**		None	3.36	29.20	NA
	5/27/2007**		None	4.90	27.66	NA
	11/10/2007**		None	4.65	27.91	NA
	5/25/2008**		None	4.65	27.91	NA
	3/24/2009	35.66	None	3.86	31.80	NA
	6/11/2009		None	4.39	31.27	NA
	8/27/2009		None	5.00	30.66	NA
	11/24/2009		None	4.41	31.25	NA
	2/18/2010		None	3.79	31.87	NA
	5/12/2010		None	4.00	31.66	NA
	8/12/2010		None	4.69	30.97	NA
	11/22/2010		None	3.78	31.88	NA
	2/1/2011		None	4.11	31.55	NA
	5/24/2011		None	3.96	31.70	NA
	8/2/2011		None	4.23	31.43	NA
	<b>2/23/2012</b>		<b>None</b>	<b>4.10</b>	<b>31.56</b>	<b>NA</b>

**TABLE 1**  
**GROUNDWATER LEVEL MEASUREMENTS**  
**AC TRANSIT**  
**1177 47TH STREET, EMERYVILLE, CALIFORNIA**

Well	Date	Top of Casing Elevation (ft-msl)	Product Thickness (fct)	Depth To Water (fct)	Groundwater Elevation (ft-msl)	Groundwater Elevation Corrected from Product Thickness* (ft-msl)
MW-2	8/31/1999	32.12	None	5.24	26.88	NA
	11/23/1999		None	4.03	28.09	NA
	3/1/2000		None	3.11	29.01	NA
	5/17/2000		None	3.66	28.46	NA
	8/30/2000		None	4.65	27.47	NA
	12/18/2000		None	4.06	28.06	NA
	3/20/2001		None	3.91	28.21	NA
	6/7/2001		None	4.40	27.72	NA
	9/20/2001		None	4.45	27.67	NA
	12/14/2001		None	3.19	28.93	NA
	2/27/2002		None	3.45	28.67	NA
	5/16/2002		None	3.74	28.38	NA
	9/18/2002		None	4.20	27.92	NA
	10/30/2002		None	4.23	27.89	NA
	2/6/2003		None	3.70	28.42	NA
	5/1/2003		None	3.59	28.53	NA
	8/26/2003		None	4.24	27.88	NA
	11/20/2003		None	4.35	27.77	NA
	2/10/2004		None	3.61	28.51	NA
	5/18/2004		None	3.91	28.21	NA
	8/30/2004		None	4.62	27.50	NA
	11/17/2004		None	3.91	28.21	NA
	2/23/2005		None	3.05	29.07	NA
	11/2/2005**		None	4.65	27.47	NA
	5/28/2006**		None	3.55	28.57	NA
	11/16/2006**		None	3.60	28.52	NA
	5/27/2007**		None	3.73	28.39	NA
	11/10/2007**		None	4.20	27.92	NA
	5/25/2008**		None	4.10	28.02	NA
	3/24/2009	35.14	None	3.52	31.62	NA
	6/11/2009		None	4.02	31.12	NA
	8/27/2009		None	4.63	30.51	NA
	11/24/2009		None	4.01	31.13	NA
	2/18/2010		None	3.43	31.71	NA
	5/12/2010		None	3.53	31.61	NA
	8/12/2010		None	4.21	30.93	NA
	11/22/2010		None	3.32	31.82	NA
	2/1/2011		None	3.60	31.54	NA
	5/24/2011		None	3.53	31.61	NA
	8/2/2011		None	3.74	31.40	NA
	<b>2/23/2012</b>		<b>None</b>	<b>3.61</b>	<b>31.53</b>	<b>NA</b>

**TABLE 1**  
**GROUNDWATER LEVEL MEASUREMENTS**  
**AC TRANSIT**  
**1177 47TH STREET, EMERYVILLE, CALIFORNIA**

Well	Date	Top of Casing Elevation (ft-msl)	Product Thickness (fct)	Depth To Water (fct)	Groundwater Elevation (ft-msl)	Groundwater Elevation Corrected from Product Thickness* (ft-msl)
MW-3	8/31/1999	34.06	None	6.15	27.91	NA
	11/23/1999		None	5.78	28.28	NA
	3/1/2000		None	4.82	29.24	NA
	5/17/2000		None	5.29	28.77	NA
	8/30/2000		None	6.20	27.86	NA
	12/18/2000		None	5.65	28.41	NA
	3/20/2001		None	5.18	28.88	NA
	6/7/2001		None	6.01	28.05	NA
	9/20/2001		None	5.9	28.16	NA
	12/14/2001		None	4.66	29.40	NA
	2/27/2002		None	5.00	29.06	NA
	5/16/2002		None	5.21	28.85	NA
	9/18/2002		None	5.61	28.45	NA
	10/30/2002		None	5.72	28.34	NA
	2/6/2003		None	4.97	29.09	NA
	5/1/2003		None	4.89	29.17	NA
	8/26/2003		None	5.82	28.24	NA
	11/20/2003		None	5.92	28.14	NA
	2/10/2004		None	4.99	29.07	NA
	5/18/2004		None	5.52	28.54	NA
	8/30/2004		None	6.25	27.81	NA
	11/17/2004		None	5.25	28.81	NA
	2/23/2005		None	4.80	29.26	NA
	11/2/2005**		None	6.21	27.85	NA
	5/28/2006**		None	4.95	29.11	NA
	11/16/2006**		None	5.50	28.56	NA
	5/27/2007**		None	5.28	28.78	NA
	11/10/2007**		None	5.75	28.31	NA
	5/25/2008**		None	5.70	28.36	NA
	3/24/2009	37.15	None	4.79	32.36	NA
	6/11/2009		None	5.40	31.75	NA
	8/27/2009		None	6.22	30.93	NA
	11/24/2009		None	5.50	31.65	NA
	2/18/2010		None	4.83	32.32	NA
	5/12/2010		None	4.92	32.23	NA
	8/12/2010		None	5.63	31.52	NA
	11/22/2010		None	5.28	31.87	NA
	2/1/2011		None	5.15	32.00	NA
	5/24/2011		None	5.01	32.14	NA
	8/2/2011		None	5.22	31.93	NA
	<b>2/23/2012</b>		<b>None</b>	<b>5.21</b>	<b>31.94</b>	<b>NA</b>

**TABLE 1**  
**GROUNDWATER LEVEL MEASUREMENTS**  
**AC TRANSIT**  
**1177 47TH STREET, EMERYVILLE, CALIFORNIA**

Well	Date	Top of Casing Elevation (ft-msl)	Product Thickness (fct)	Depth To Water (fct)	Groundwater Elevation (ft-msl)	Groundwater Elevation Corrected from Product Thickness* (ft-msl)
MW-4	8/31/1999	34.11	None	6.22	27.89	NA
	11/23/1999		None	6.01	28.10	NA
	3/1/2000		None	4.74	29.37	NA
	5/17/2000		None	5.33	28.78	NA
	8/30/2000		None	6.26	27.85	NA
	12/18/2000		None	5.66	28.45	NA
	3/20/2001		None	5.46	28.65	NA
	6/7/2001		None	6.02	28.09	NA
	9/20/2001		None	6.06	28.05	NA
	12/14/2001		None	5.39	28.72	NA
	2/27/2002		None	5.28	28.83	NA
	5/16/2002		None	5.39	28.72	NA
	9/18/2002		None	5.61	28.50	NA
	10/30/2002		None	5.70	28.41	NA
	2/6/2003		None	5.39	28.72	NA
	5/1/2003		None	5.25	28.86	NA
	8/26/2003		None	5.88	28.23	NA
	11/20/2003		None	5.84	28.27	NA
	2/10/2004		None	5.10	29.01	NA
	5/18/2004		None	5.58	28.53	NA
	8/30/2004		None	6.30	27.81	NA
	11/17/2004		None	5.34	28.77	NA
	2/23/2005		None	4.75	29.36	NA
	11/2/2005**		None	6.30	27.81	NA
	5/28/2006**		None	5.15	28.96	NA
	11/16/2006**		None	5.40	28.71	NA
	5/27/2007**		None	5.61	28.50	NA
	11/10/2007**		None	5.85	28.26	NA
	5/25/2008**		None	5.80	28.31	NA
	3/24/2009	37.15	None	5.12	32.03	NA
	6/11/2009		None	5.62	31.53	NA
	8/27/2009		None	6.21	30.94	NA
	11/24/2009		None	5.84	31.31	NA
	2/18/2010		None	5.32	31.83	NA
	5/12/2010		None	5.16	31.99	NA
	8/12/2010		None	5.64	31.51	NA
	11/22/2010		None	4.94	32.21	NA
	2/1/2011		None	5.28	31.87	NA
	5/24/2011		None	5.15	32.00	NA
	8/2/2011		None	5.37	31.78	NA
	<b>2/23/2012</b>		<b>None</b>	<b>5.28</b>	<b>31.87</b>	<b>NA</b>

**TABLE 1**  
**GROUNDWATER LEVEL MEASUREMENTS**  
**AC TRANSIT**  
**1177 47TH STREET, EMERYVILLE, CALIFORNIA**

Well	Date	Top of Casing Elevation (ft-msl)	Product Thickness (fct)	Depth To Water (fct)	Groundwater Elevation (ft-msl)	Groundwater Elevation Corrected from Product Thickness* (ft-msl)
MW-5	8/31/1999	31.70	None	4.51	27.19	NA
	11/23/1999		None	4.00	27.70	NA
	3/1/2000		None	3.31	28.39	NA
	5/17/2000		None	3.59	28.11	NA
	8/30/2000		None	4.53	27.17	NA
	12/18/2000		None	3.97	27.73	NA
	3/20/2001		None	3.68	28.02	NA
	6/7/2001		None	4.37	27.33	NA
	9/20/2001		None	4.46	27.24	NA
	12/14/2001		None	3.23	28.47	NA
	2/27/2002		None	3.44	28.26	NA
	5/16/2002		None	3.68	28.02	NA
	9/18/2002		None	4.04	27.66	NA
	10/30/2002		None	4.21	27.49	NA
	2/6/2003		None	3.61	28.09	NA
	5/1/2003		None	3.15	28.55	NA
	8/26/2003		None	4.00	27.70	NA
	11/20/2003		None	4.20	27.50	NA
	2/10/2004		None	3.38	28.32	NA
	5/18/2004		None	3.75	27.95	NA
	8/30/2004		None	4.55	27.15	NA
	11/17/2004		None	3.62	28.08	NA
	2/23/2005		None	2.98	28.72	NA
	11/2/2005**		None	4.55	27.15	NA
	5/28/2006**		None	3.62	28.08	NA
	11/12/2006**		None	2.50	29.20	NA
	5/27/2007**		None	3.64	28.06	NA
	11/10/2007**		None	4.10	27.60	NA
	5/25/2008**		None	4.05	27.65	NA
	3/24/2009	34.84	None	3.22	31.62	NA
	6/11/2009		None	3.85	30.99	NA
	8/27/2009		None	4.47	30.37	NA
	11/24/2009		None	3.87	30.97	NA
	2/18/2010		None	3.24	31.60	NA
	5/12/2010		None	3.41	31.43	NA
	8/12/2010		None	4.08	30.76	NA
	11/22/2010		None	3.27	31.57	NA
	2/1/2011		None	3.46	31.38	NA
	5/24/2011		None	3.37	31.47	NA
	8/2/2011		None	3.64	31.20	NA
	2/23/2012		None	3.50	31.34	NA



**TABLE 1**  
**GROUNDWATER LEVEL MEASUREMENTS**  
**AC TRANSIT**  
**1177 47TH STREET, EMERYVILLE, CALIFORNIA**

Well	Date	Top of Casing Elevation (ft-msl)	Product Thickness (fct)	Depth To Water (fct)	Groundwater Elevation (ft-msl)	Groundwater Elevation Corrected from Product Thickness* (ft-msl)
MW-6	8/31/1999	31.02	None	4.40	26.62	NA
	11/23/1999		None	3.81	27.21	NA
	3/1/2000		None	2.88	28.14	NA
	5/17/2000		None	3.44	27.58	NA
	8/30/2000		None	4.40	26.62	NA
	12/18/2000		None	3.61	27.41	NA
	3/20/2001		None	3.16	27.86	NA
	6/7/2001		None	4.18	26.84	NA
	9/20/2001		Sheen	4.22	26.80	NA
	12/14/2001		None	3.62	27.40	NA
	2/27/2002		None	2.94	28.08	NA
	5/16/2002		None	3.53	27.49	NA
	9/18/2002		None	3.97	27.05	NA
	10/30/2002		None	3.96	27.06	NA
	2/6/2003		None	2.97	28.05	NA
	5/1/2003		None	3.98	27.04	NA
	8/26/2003		None	3.82	27.20	NA
	11/20/2003		None	3.78	27.24	NA
	2/10/2004		None	2.94	28.08	NA
	5/18/2004		None	3.47	27.55	NA
	8/30/2004		None	4.22	26.80	NA
	11/17/2004		None	3.19	27.83	NA
	2/23/2005		None	2.32	28.70	NA
	11/2/2005**		None	4.21	26.81	NA
	5/28/2006**		None	3.00	28.02	NA
	11/16/2006**		None	3.30	27.72	NA
	5/27/2007**		None	3.20	27.82	NA
	11/10/2007**		None	3.65	27.37	NA
	5/25/2008**		None	3.70	27.32	NA
	3/24/2007	34.09	None	2.78	31.31	NA
	6/11/2009		None	3.46	30.63	NA
	8/27/2009		None	4.10	29.99	NA
	11/24/2009		None	3.47	30.62	NA
	2/18/2010		None	2.72	31.37	NA
	5/12/2010		None	2.93	31.16	NA
	8/12/2010		None	3.76	30.33	NA
	11/22/2010		None	2.85	31.24	NA
	2/1/2011		None	2.99	31.10	NA
	5/24/2011		None	2.91	31.18	NA
	8/2/2011		None	3.22	30.87	NA
	<b>2/23/2012</b>		<b>None</b>	<b>3.00</b>	<b>31.09</b>	<b>NA</b>

**TABLE 1**  
**GROUNDWATER LEVEL MEASUREMENTS**  
**AC TRANSIT**  
**1177 47TH STREET, EMERYVILLE, CALIFORNIA**

Well	Date	Top of Casing Elevation (ft-msl)	Product Thickness (fct)	Depth To Water (fct)	Groundwater Elevation (ft-msl)	Groundwater Elevation Corrected from Product Thickness* (ft-msl)
MW-7	8/31/1999	29.62	None	5.47	24.15	NA
	11/23/1999		None	4.93	24.69	NA
	3/1/2000		None	4.06	25.56	NA
	5/17/2000		None	4.69	24.93	NA
	8/30/2000		None	5.50	24.12	NA
	12/18/2000		None	5.78	23.84	NA
	3/20/2001		None	4.83	24.79	NA
	6/7/2001		None	4.80	24.82	NA
	9/20/2001		None	5.19	24.43	NA
	12/14/2001		None	4.68	24.94	NA
	2/27/2002		None	4.53	25.09	NA
	5/16/2002		None	4.34	25.28	NA
	9/18/2002		None	5.28	24.34	NA
	10/30/2002		None	5.51	24.11	NA
	2/6/2003		None	4.36	25.26	NA
	5/1/2003		None	4.76	24.86	NA
	8/26/2003		None	5.25	24.37	NA
	11/20/2003		None	5.26	24.36	NA
	2/10/2004		None	4.31	25.31	NA
	5/18/2004		None	4.46	25.16	NA
	8/30/2004		None	5.61	24.01	NA
	11/17/2004		None	4.82	24.80	NA
	2/23/2005		None	4.14	25.48	NA
	11/2/2005**		None	5.50	24.12	NA
	5/28/2006**		None	4.25	25.37	NA
	11/16/2006**		None	5.70	23.92	NA
	5/27/2007**		None	4.54	25.08	NA
	11/10/2007**		None	5.15	24.47	NA
	5/25/2008**		None	5.40	24.22	NA
	3/24/2009	32.67	None	4.31	28.36	NA
	6/11/2009		None	5.16	27.51	NA
	8/27/2009		None	5.39	27.28	NA
	11/24/2009		None	5.19	27.48	NA
	2/18/2010		None	5.30	27.37	NA
	5/12/2010		None	4.90	27.77	NA
	8/12/2010		None	5.66	27.01	NA
	11/22/2010		None	5.50	27.17	NA
	2/1/2011		None	4.89	27.78	NA
	5/24/2011		None	4.60	28.07	NA
	8/2/2011		None	4.75	27.92	NA
	<b>2/23/2012</b>		<b>None</b>	<b>5.07</b>	<b>27.60</b>	<b>NA</b>

**TABLE 1**  
**GROUNDWATER LEVEL MEASUREMENTS**  
**AC TRANSIT**  
**1177 47TH STREET, EMERYVILLE, CALIFORNIA**

Well	Date	Top of Casing Elevation (ft-msl)	Product Thickness (fct)	Depth To Water (fct)	Groundwater Elevation (ft-msl)	Groundwater Elevation Corrected from Product Thickness* (ft-msl)
MW-8	8/31/1999	29.43	None	5.35	24.08	NA
	11/23/1999		None	4.75	24.68	NA
	3/1/2000		None	4.48	24.95	NA
	5/17/2000		None	4.78	24.65	NA
	8/30/2000		None	5.02	24.41	NA
	12/18/2000		None	5.23	24.20	NA
	3/20/2001		None	4.70	24.73	NA
	6/7/2001		None	5.13	24.30	NA
	9/20/2001		None	5.68	23.75	NA
	12/14/2001		None	4.26	25.17	NA
	2/27/2002		None	4.18	25.25	NA
	5/16/2002		None	4.58	24.85	NA
	9/18/2002		None	4.96	24.47	NA
	10/30/2002		None	4.99	24.44	NA
	2/6/2003		None	4.41	25.02	NA
	5/1/2003		None	4.29	25.14	NA
	8/26/2003		None	4.58	24.85	NA
	11/20/2003		None	4.69	24.74	NA
	2/10/2004		None	4.22	25.21	NA
	5/18/2004		None	4.52	24.91	NA
	8/30/2004		None	4.79	24.64	NA
	11/17/2004		None	4.56	24.87	NA
	2/23/2005		None	4.08	25.35	NA
	11/2/2005**		None	5.05	24.38	NA
	5/28/2006**		None	4.95	24.48	NA
	11/12/2006**		None	4.70	24.73	NA
	5/27/2007**		None	4.08	25.35	NA
	11/10/2007**		None	4.70	24.73	NA
	5/25/2008**		None	4.70	24.73	NA
	3/24/2009	32.44	None	4.21	28.23	NA
	6/11/2009		None	4.56	27.88	NA
	8/27/2009		None	4.90	27.54	NA
	11/24/2009		None	4.64	27.80	NA
	2/18/2010		None	4.23	28.21	NA
	5/12/2010		None	4.52	27.92	NA
	8/12/2010		None	4.85	27.59	NA
	11/22/2010		None	5.01	27.43	NA
	2/1/2011		None	4.22	28.22	NA
	5/24/2011		None	4.16	28.28	NA
	8/2/2011		None	4.46	27.98	NA
	2/23/2012		None	4.36	28.08	NA

**TABLE 1**  
**GROUNDWATER LEVEL MEASUREMENTS**  
**AC TRANSIT**  
**1177 47TH STREET, EMERYVILLE, CALIFORNIA**

Well	Date	Top of Casing Elevation (ft-msl)	Product Thickness (fct)	Depth To Water (fct)	Groundwater Elevation (ft-msl)	Groundwater Elevation Corrected from Product Thickness* (ft-msl)
MW-9	8/31/1999	29.18	None	4.15	25.03	NA
	11/23/1999		None	3.93	25.25	NA
	3/1/2000		None	3.69	25.49	NA
	5/17/2000		None	3.56	25.62	NA
	8/30/2000		None	4.64	24.54	NA
	12/18/2000		None	4.02	25.16	NA
	3/20/2001		None	3.92	25.26	NA
	6/7/2001		None	4.28	24.90	NA
	9/20/2001		None	5.12	24.06	NA
	12/14/2001		None	3.87	25.31	NA
	2/27/2002		None	4.48	24.70	NA
	5/16/2002		None	5.13	24.05	NA
	9/18/2002		None	4.48	24.70	NA
	10/30/2002		None	3.90	25.28	NA
	2/6/2003		None	3.65	25.53	NA
	5/1/2003		None	4.50	24.68	NA
	8/26/2003		None	4.33	24.85	NA
	11/20/2003		None	3.83	25.35	NA
	2/10/2004		None	3.17	26.01	NA
	5/18/2004		None	3.42	25.76	NA
	8/30/2004		None	3.45	25.73	NA
	11/17/2004		None	3.44	25.74	NA
	2/23/2005		None	3.28	25.90	NA
	11/2/2005**		None	4.26	24.92	NA
	5/28/2006**		None	3.70	25.48	NA
	11/12/2006**		None	3.50	25.68	NA
	5/27/2007**		None	3.43	25.75	NA
	11/10/2007**		None	3.75	25.43	NA
	5/25/2008**		None	2.80	26.38	NA
	3/24/2009	32.31	None	3.31	29.00	NA
	6/11/2009		None	3.48	28.83	NA
	8/27/2009		None	3.58	28.73	NA
	11/24/2009		None	3.69	28.62	NA
	2/18/2010		None	3.29	29.02	NA
	5/12/2010		None	2.93	29.38	NA
	8/12/2010		None	3.41	28.90	NA
	11/22/2010		None	3.42	28.89	NA
	2/1/2011		None	3.05	29.26	NA
	5/24/2011		None	3.00	29.31	NA
	8/2/2011		None	3.21	29.10	NA
	2/23/2012		None	3.07	29.24	NA

**TABLE 1**  
**GROUNDWATER LEVEL MEASUREMENTS**  
**AC TRANSIT**  
**1177 47TH STREET, EMERYVILLE, CALIFORNIA**

Well	Date	Top of Casing Elevation (ft-msl)	Product Thickness (fct)	Depth To Water (fct)	Groundwater Elevation (ft-msl)	Groundwater Elevation Corrected from Product Thickness* (ft-msl)
MW-10	8/31/1999	29.13	None	9.59	19.54	NA
	11/23/1999		None	9.44	19.69	NA
	3/1/2000		None	9.06	20.07	NA
	5/17/2000		None	9.31	19.82	NA
	8/30/2000		None	9.68	19.45	NA
	12/18/2000		None	9.41	19.72	NA
	3/20/2001		None	9.23	19.90	NA
	6/7/2001		None	9.60	19.53	NA
	9/20/2001		None	9.70	19.43	NA
	12/14/2001		None	8.83	20.30	NA
	2/27/2002		None	9.15	19.98	NA
	5/16/2002		None	9.45	19.68	NA
	9/18/2002		None	9.65	19.48	NA
	10/30/2002		None	9.73	19.40	NA
	2/6/2003		None	9.34	19.79	NA
	5/1/2003		None	9.14	19.99	NA
	8/26/2003		None	9.69	19.44	NA
	11/20/2003		None	9.62	19.51	NA
	2/10/2004		None	9.20	19.93	NA
	5/18/2004		None	9.58	19.55	NA
	8/30/2004		None	9.85	19.28	NA
	11/17/2004		None	9.26	19.87	NA
	2/23/2005		None	8.60	20.53	NA
	11/2/2005**		None	9.81	19.32	NA
	5/28/2006**		None	9.55	19.58	NA
	11/16/2006**			<b>Well not accessible.</b>		
	2/24/2007**		None	9.00	20.13	NA
	5/27/2007**		None	9.45	19.68	NA
	11/10/2007**		None	9.70	19.43	NA
	5/25/2008**		None	10.15	18.98	NA
	3/24/2009	31.92	None	9.45	22.47	NA
	6/11/2009		None	9.93	21.99	NA
	8/27/2009		None	9.89	22.03	NA
	11/24/2009		None	9.46	22.46	NA
	2/18/2010		None	9.31	22.61	NA
	5/12/2010		None	9.65	22.27	NA
	8/12/2010		None	9.82	22.10	NA
	11/22/2010		None	9.48	22.44	NA
	2/1/2011		None	9.38	22.54	NA
	5/24/2011		None	9.30	22.62	NA
	8/2/2011		None	9.75	22.17	NA
	2/23/2012		None	9.58	22.34	NA

**TABLE 1**  
**GROUNDWATER LEVEL MEASUREMENTS**  
**AC TRANSIT**  
**1177 47TH STREET, EMERYVILLE, CALIFORNIA**

Well	Date	Top of Casing Elevation (ft-msl)	Product Thickness (fct)	Depth To Water (fct)	Groundwater Elevation (ft-msl)	Groundwater Elevation Corrected from Product Thickness* (ft-msl)
MW-11	9/20/2001	28.93	None	4.41	24.52	NA
	12/14/2001		None	1.82	27.11	NA
	2/27/2002		None	2.39	26.54	NA
	5/16/2002		None	2.98	25.95	NA
	9/18/2002		None	4.00	24.93	NA
	10/30/2002		None	4.14	24.79	NA
	2/6/2003		None	2.59	26.34	NA
	5/1/2003		None	2.26	26.67	NA
	8/26/2003		None	3.79	25.14	NA
	11/20/2003		None	3.66	25.27	NA
	2/10/2004		None	2.40	26.53	NA
	5/18/2004		None	3.20	25.73	NA
	8/30/2004		None	4.43	24.50	NA
	11/17/2004		None	2.36	26.57	NA
	2/23/2005		None	2.05	26.88	NA
	11/2/2005**		None	4.30	24.63	NA
	2/22/2006**		None	2.50	26.43	NA
	5/28/2006**		None	2.85	26.08	NA
	8/27/2006**		None	3.00	25.93	NA
	11/12/2006**		None	3.02	25.91	NA
	2/24/2007**		None	2.15	26.78	NA
	5/27/2007**		None	2.78	26.15	NA
	9/2/2007**		None	4.20	24.73	NA
	11/10/2007**		None	3.30	25.63	NA
	2/28/2008**		None	2.31	26.62	NA
	5/25/2008**		None	3.70	25.23	NA
	11/2/2008**		None	2.98	25.95	NA
	3/24/2009	31.95	None	2.37	29.58	NA
	6/11/2009		None	3.18	28.77	NA
	8/27/2009		None	4.32	27.63	NA
	11/24/2009		None	3.04	28.91	NA
	2/18/2010		None	2.44	29.51	NA
	5/12/2010		None	2.48	29.47	NA
	8/12/2010		None	3.80	28.15	NA
	11/22/2010		None	1.99	29.96	NA
	2/1/2011		None	2.52	29.43	NA
	5/24/2011		None	2.39	29.56	NA
	8/2/2011		None	2.96	28.99	NA
	2/23/2012		None	2.55	29.40	NA

**TABLE 1**  
**GROUNDWATER LEVEL MEASUREMENTS**  
**AC TRANSIT**  
**1177 47TH STREET, EMERYVILLE, CALIFORNIA**

Well	Date	Top of Casing Elevation (ft-msl)	Product Thickness (fct)	Depth To Water (fct)	Groundwater Elevation (ft-msl)	Groundwater Elevation Corrected from Product Thickness* (ft-msl)
MW-12	9/20/2001	28.68	None	10.41	18.27	NA
	12/14/2001		None	9.62	19.06	NA
	2/27/2002		None	10.09	18.59	NA
	5/16/2002		None	10.04	18.64	NA
	9/18/2002		None	10.66	18.02	NA
	10/30/2002		None	10.62	18.06	NA
	2/6/2003		None	9.97	18.71	NA
	5/1/2003		None	9.78	18.90	NA
	8/26/2003		None	10.70	17.98	NA
	11/20/2003		None	10.53	18.15	NA
	2/10/2004		None	9.80	18.88	NA
	5/18/2004		None	10.13	18.55	NA
	8/30/2004		None	10.32	18.36	NA
	11/17/2004		None	9.91	18.77	NA
	2/23/2005		None	9.29	19.39	NA
	11/2/2005**		None	10.76	17.92	NA
	2/22/2006**		None	10.50	18.18	NA
	5/28/2006**		None	10.82	17.86	NA
	8/27/2006**		None	10.50	18.18	NA
	11/16/2006**		None	10.80	17.88	NA
	2/24/2007**		None	10.30	18.38	NA
	5/27/2007**		None	10.88	17.80	NA
	9/2/2007**		None	10.70	17.98	NA
	11/10/2007**		None	10.90	17.78	NA
	2/28/2008**		None	11.35	17.33	NA
	5/25/2008**		None	11.80	16.88	NA
	11/2/2008**		None	10.50	18.18	NA
	3/24/2009	31.76	None	10.31	21.45	NA
	6/11/2009		None	10.38	21.38	NA
	8/27/2009		None	10.99	20.77	NA
	11/24/2009		None	10.35	21.41	NA
	2/18/2010		None	9.78	21.98	NA
	5/12/2010		None	10.48	21.28	NA
	8/12/2010		None	11.18	20.58	NA
	11/22/2010		None	10.21	21.55	NA
	2/1/2011		None	9.95	21.81	NA
	5/24/2011		None	10.04	21.72	NA
	8/2/2011		None	10.13	21.63	NA
	2/23/2012		None	10.94	20.82	NA

**TABLE 1**  
**GROUNDWATER LEVEL MEASUREMENTS**  
**AC TRANSIT**  
**1177 47TH STREET, EMERYVILLE, CALIFORNIA**

Well	Date	Top of Casing Elevation (ft-msl)	Product Thickness (fct)	Depth To Water (fct)	Groundwater Elevation (ft-msl)	Groundwater Elevation Corrected from Product Thickness* (ft-msl)
MW-13	9/20/2001	22.715	None	8.83	13.89	NA
	12/14/2001		None	7.95	14.77	NA
	2/27/2002		None	7.64	15.08	NA
	5/16/2002		None	8.43	14.29	NA
	9/18/2002		6.86	15.09	7.63	13.11
	10/30/2002		6.04	14.29	8.43	13.26
	2/6/2003		0.09	8.25	14.47	14.54
	5/1/2003		0.24	7.29	15.43	15.62
	8/26/2003		0.39	9.70	13.02	13.33
	11/20/2003		0.85	9.85	12.87	13.55
	2/10/2004		0.88	10.59	12.13	12.83
	5/18/2004		0.92	10.70	12.02	12.75
	8/30/2004		1.06	9.36	13.36	14.20
	11/17/2004		0.25	9.74	12.98	13.18
	2/23/2005		0.07	6.49	16.23	16.28
	11/2/2005**		0.063	9.10	13.62	13.67
	2/22/2006**		0.167	NM	NM	NM
	5/28/2006**		NM	NM	NM	NM
	11/16/2006**		0.017	NM	NM	NM
	5/27/2007**		0.045	9.45	13.27	13.30
	9/2/2007**		1.1	10.30	12.42	13.30
	11/10/2007**		1.22	10.62	12.10	13.07
	2/28/2008**		0.7	9.90	12.82	13.38
	5/25/2008**		1.1	10.50	12.22	13.10
	11/2/2008**		1.1	10.40	12.32	13.20
	3/24/2009	26.70	0.36	9.25	17.45	17.74
	6/11/2009		0.28	10.45	16.25	16.47
	8/27/2009		0.35	10.78	15.92	16.20
	11/24/2009		0.38	9.55	17.15	17.45
	2/18/2010		0.35	9.13	17.57	17.85
	5/12/2010		0.34	8.86	17.84	18.11
	8/12/2010		0.14	9.48	17.22	17.33
	11/22/2010		0.12	9.14	17.56	17.66
	2/1/2011		0.06	8.74	17.96	18.01
	5/24/2011		0.05	9.00	17.70	17.74
	8/2/2011		0.27	9.27	17.43	17.65
	2/23/2012		0.04	9.22	17.48	NA



**TABLE 1**  
**GROUNDWATER LEVEL MEASUREMENTS**  
**AC TRANSIT**  
**1177 47TH STREET, EMERYVILLE, CALIFORNIA**

Well	Date	Top of Casing Elevation (ft-msl)	Product Thickness (fct)	Depth To Water (fct)	Groundwater Elevation (ft-msl)	Groundwater Elevation Corrected from Product Thickness* (ft-msl)
MW-14	3/24/2009	25.98	None	8.63	17.35	NA
	6/11/2009		None	9.16	16.82	NA
	8/27/2009		None	9.46	16.52	NA
	11/24/2009		None	9.82	16.16	NA
	2/18/2010		None	8.58	17.40	NA
	5/12/2010		None	9.29	16.69	NA
	8/12/2010		None	9.05	16.93	NA
	11/22/2010		None	9.13	16.85	NA
	2/1/2011		None	8.53	17.45	NA
	5/24/2011		None	8.95	17.03	NA
	8/2/2011		None	9.34	16.64	NA
	<b>2/23/2012</b>		<b>None</b>	<b>9.26</b>	<b>16.72</b>	<b>NA</b>
	MW-15	3/24/2009	24.22	None	6.95	17.27
6/11/2009			None	8.82	15.40	NA
8/27/2009			None	9.51	14.71	NA
11/24/2009			None	8.63	15.59	NA
2/18/2010			None	7.62	16.60	NA
5/12/2010			None	8.45	15.77	NA
8/12/2010			None	9.01	15.21	NA
11/22/2010			None	8.50	15.72	NA
2/1/2011			None	8.30	15.92	NA
5/24/2011			None	8.47	15.75	NA
8/2/2011			None	8.82	15.40	NA
<b>2/23/2012</b>			<b>None</b>	<b>8.00</b>	<b>16.22</b>	<b>NA</b>
MW-16		3/24/2009	22.90	None	6.43	16.47
	6/11/2009		None	7.36	15.54	NA
	8/27/2009		None	8.89	14.01	NA
	11/24/2009		None	7.18	15.72	NA
	2/18/2010		None	6.17	16.73	NA
	5/12/2010		None	7.56	15.34	NA
	8/12/2010		None	8.06	14.84	NA
	11/22/2010		None	9.21	13.69	NA
	2/1/2011		None	6.95	15.95	NA
	5/24/2011		None	6.84	16.06	NA
	8/2/2011		None	7.34	15.56	NA
	<b>2/23/2012</b>		<b>None</b>	<b>7.18</b>	<b>15.72</b>	<b>NA</b>

**TABLE 1**  
**GROUNDWATER LEVEL MEASUREMENTS**  
**AC TRANSIT**  
**1177 47TH STREET, EMERYVILLE, CALIFORNIA**

Well	Date	Top of Casing Elevation (ft-msl)	Product Thickness (fct)	Depth To Water (fct)	Groundwater Elevation (ft-msl)	Groundwater Elevation Corrected from Product Thickness* (ft-msl)	
W-1	3/2/2000	33.43	None	4.08	29.35	NA	
	5/17/2000		None	5.41	28.02	NA	
	8/30/2000		None	6.71	26.72	NA	
	12/18/2000		None	5.73	27.70	NA	
	3/20/2001		None	5.16	28.27	NA	
	6/7/2001		None	6.10	27.33	NA	
	9/20/2001		None	6.58	26.85	NA	
	12/14/2001		None	4.69	28.74	NA	
	2/27/2002		None	4.94	28.49	NA	
	5/16/2002		None	5.54	27.89	NA	
	9/18/2002		None	6.08	27.35	NA	
	10/30/2002		None	6.24	27.19	NA	
	2/6/2003		None	5.17	28.26	NA	
	5/1/2003		None	4.71	28.72	NA	
	8/26/2003		None	6.14	27.29	NA	
	11/20/2003		None	6.19	27.24	NA	
	2/10/2004		None	4.95	28.48	NA	
	5/18/2004		None	5.70	27.73	NA	
	8/30/2004		None	6.64	26.79	NA	
	11/17/2004		None	5.36	28.07	NA	
	2/23/2005		None	4.26	29.17	NA	
	11/2/2005**		None	6.59	26.84	NA	
	5/28/2006**		None	5.15	28.28	NA	
	11/16/2006**		None	5.50	27.93	NA	
	5/27/2007**		None	5.80	27.63	NA	
	11/10/2007**		None	5.95	27.48	NA	
	5/25/2008**		None	5.95	27.48	NA	
	3/24/2009		36.57	None	4.77	31.80	NA
	6/11/2009			None	5.68	30.89	NA
	8/27/2009			None	6.67	29.90	NA
	11/24/2009			None	5.71	30.86	NA
	2/18/2010			None	4.72	31.85	NA
5/12/2010			None	4.99	31.58	NA	
8/12/2010			None	6.03	30.54	NA	
11/22/2010			None	4.92	31.65	NA	
2/1/2011			None	5.11	31.46	NA	
5/24/2011			None	4.99	31.58	NA	
8/2/2011			None	5.39	31.18	NA	
	<b>2/23/2012</b>		<b>None</b>	<b>5.10</b>	<b>31.47</b>	<b>NA</b>	
W-2	5/17/2000	34.21	None	5.60	28.61	NA	
	8/30/2000		None	7.37	26.84	NA	
	12/18/2000		None	6.44	27.77	NA	
	<b>1/23/2001</b>					<b>abandoned</b>	

**TABLE 1**  
**GROUNDWATER LEVEL MEASUREMENTS**  
**AC TRANSIT**  
**1177 47TH STREET, EMERYVILLE, CALIFORNIA**

Well	Date	Top of Casing Elevation (ft-msl)	Product Thickness (fct)	Depth To Water (fct)	Groundwater Elevation (ft-msl)	Groundwater Elevation Corrected from Product Thickness* (ft-msl)	
W-3	5/17/2000	37.46	None	6.38	31.08	NA	
	8/30/2000		None	8.16	29.30	NA	
	12/18/2000		None	7.19	30.27	NA	
	3/20/2001		None	5.70	31.76	NA	
	6/7/2001		None	7.51	29.95	NA	
	9/20/2001		None	7.83	29.63	NA	
	12/14/2001		None	4.76	32.70	NA	
	2/27/2002		None	5.32	32.14	NA	
	5/16/2002		None	6.45	31.01	NA	
	9/18/2002		None	7.10	30.36	NA	
	10/30/2002		None	7.30	30.16	NA	
	2/6/2003		None	5.69	31.77	NA	
	5/1/2003		None	4.97	32.49	NA	
	8/26/2003		None	7.52	29.94	NA	
	11/20/2003		None	7.58	29.88	NA	
	2/10/2004		None	5.63	31.83	NA	
	5/18/2004		None	6.20	31.26	NA	
	8/30/2004		None	8.39	29.07	NA	
	11/17/2004		None	6.57	30.89	NA	
	2/23/2005		None	4.24	33.22	NA	
	11/2/2005**		None	8.24	29.22	NA	
	5/28/2006**		None	6.32	31.14	NA	
	11/16/2006**		None	6.80	30.66	NA	
	5/27/2007**		None	6.73	30.73	NA	
	11/10/2007**		None	7.55	29.91	NA	
	5/25/2008**		None	7.50	29.96	NA	
	3/24/2009		40.41	None	5.67	34.74	NA
	6/11/2009			None	4.09	36.32	NA
	8/27/2009			None	8.30	32.11	NA
	11/24/2009			None	7.21	33.20	NA
	2/18/2010			None	5.56	34.85	NA
	5/12/2010			None	6.14	34.27	NA
	8/12/2010			None	7.59	32.82	NA
11/22/2010			None	5.97	34.44	NA	
2/1/2011			None	6.23	34.18	NA	
5/24/2011			None	6.20	34.21	NA	
8/2/2011			None	6.53	33.88	NA	
2/23/2012			None	6.16	34.25	NA	

**TABLE 1**  
**GROUNDWATER LEVEL MEASUREMENTS**  
**AC TRANSIT**  
**1177 47TH STREET, EMERYVILLE, CALIFORNIA**

Well	Date	Top of Casing Elevation (ft-msl)	Product Thickness (fcet)	Depth To Water (fcet)	Groundwater Elevation (ft-msl)	Groundwater Elevation Corrected from Product Thickness* (ft-msl)
W-4	3/2/2000	31.72	None	3.34	28.38	NA
	5/17/2000		None	3.86	27.86	NA
	8/30/2000		None	4.99	26.73	NA
	12/18/2000		None	4.20	27.52	NA
	3/20/2001		None	3.75	27.97	NA
	6/7/2001		None	4.67	27.05	NA
	9/20/2001		None	4.80	26.92	NA
	12/14/2001		None	3.22	28.50	NA
	2/27/2002		None	3.58	28.14	NA
	5/16/2002		None	3.89	27.83	NA
	9/18/2002		None	4.24	27.48	NA
	10/30/2002		None	4.56	27.16	NA
	2/6/2003		None	3.67	28.05	NA
	5/1/2003		None	2.61	29.11	NA
	8/26/2003		None	4.47	27.25	NA
	11/20/2003		None	4.42	27.30	NA
	2/10/2004		None	3.54	28.18	NA
	5/18/2004		None	4.11	27.61	NA
	8/30/2004		None	4.85	26.87	NA
	11/17/2004		None	3.81	27.91	NA
	2/23/2005		None	2.97	28.75	NA
	11/2/2005**		None	4.70	27.02	NA
	5/28/2006**		None	4.50	27.22	NA
	11/16/2006**		None	3.90	27.82	NA
	5/27/2007**		None	3.82	27.90	NA
	11/10/2007**		None	4.30	27.42	NA
	5/25/2008**		None	4.40	27.32	NA
	3/24/2009	34.81	None	3.63	31.18	NA
	6/11/2009		None	7.26	27.55	NA
	8/27/2009		None	4.43	30.38	NA
	11/24/2009		None	4.12	30.69	NA
	2/18/2010		None	3.73	31.08	NA
	5/12/2010		None	3.56	31.25	NA
	8/12/2010		None	4.08	30.73	NA
	11/22/2010		None	3.50	31.31	NA
	2/1/2011		None	3.61	31.20	NA
	5/24/2011		None	3.54	31.27	NA
	8/2/2011		None	3.85	30.96	NA
	2/23/2012		None	3.62	31.19	NA

*Notes:*

\* used 0.8 specific gravity of product

**ft-msl:** feet mean sea level

**DTW:** Depth to water

**NA:** not applicable

\*\* Essel Technology Services, Inc. data.

**TABLE 2**  
**ANALYTICAL RESULTS GROUNDWATER SAMPLES**  
**AC TRANSIT**  
**1177 47TH STREET, EMERYVILLE, CALIFORNIA**

Well	Date	TPH-8015 (diesel)	TPH-8015 (gas)	Benzene	Toluene	Ethylbenzene	Xylenes	MTBE
MCL (ug/l)		None	None	1.0	150	300	1750	13
ESL (ug/l)		100	100	1.0	40	30	20	5
MW-1	8/31/1999	310	NA	<1.0	2.4	1	1.6	NA
	11/23/1999	250	NA	<1.0	<1.0	<1.0	<1.0	NA
	3/1/2000	310	62	<1.0	<1.0	<1.0	<2.0	687
	5/17/2000	390	63	<1.0	<1.0	<1.0	<2.0	74
	8/31/2000	180	<50	<1.0	<1.0	<1.0	<2.0	49
	12/18/2000	310	<50	<1.0	<1.0	<1.0	<2.0	44
	3/21/2001	240	<50	<1.0	<1.0	<1.0	<2.0	17
	6/7/2001	540	<50	<1.0	<1.0	<1.0	<2.0	32
	9/20/2001	290	<50	<1.0	<1.0	<1.0	<2.0	29
	2/27/2002	<250	<50	<1.0	<1.0	<1.0	<2.0	14
	9/18/2002	230	<50	<1.0	<1.0	<1.0	<2.0	30
	2/6/2003	82	<50	<0.5	<0.5	<0.5	<1.0	17
	8/26/2003	200	<50	<0.5	<0.5	<0.5	<1.0	9.8
	2/10/2004	4,800	<50	<0.5	<0.5	<0.5	<1.0	6.6
	8/30/2004	<56	<50	<0.5	<0.5	<0.5	<1.5	4.2
	2/23/2005	<50	<50	<0.5	<0.5	<0.5	<1.0	6.1
	11/3/2005*	70	<50	<0.5	<0.5	<0.5	<0.5	4.5
	5/29/2006*	89	<50	<0.5	<0.5	<0.5	<0.5	<5.0
	11/12/2006*	65	<50	<0.5	<0.5	<0.5	<0.5	<5.0
	5/27/2007*	65	<50	<0.5	<0.5	<0.5	<0.5	<5.0
	11/10/2007*	59	<50	<0.5	<0.5	<0.5	<0.5	<5.0
	5/25/2008*	60	<50	<0.5	<0.5	<0.5	<0.5	<5.0
	3/24/2009	<100	<50	<1.0	<1.0	<1.0	<2.0	1.1
	8/27/2009	<95	<50	<1.0	<1.0	<1.0	<2.0	1.5
	2/18/2010	<94	<50	<1.0	<1.0	<1.0	<2.0	<1.0
	8/12/2010	<95	<50	<1.0	<1.0	<1.0	<2.0	1.1
	2/1/2011	<96	<50	<1.0	<1.0	<1.0	<2.0	<1.0
	8/2/2011	<96	<50	<1.0	<1.0	<1.0	<2.0	<1.0
	2/23/2012	<100	<50	<1.0	<1.0	<1.0	<2.0	<b>1.1</b>

**TABLE 2**  
**ANALYTICAL RESULTS GROUNDWATER SAMPLES**  
**AC TRANSIT**  
**1177 47TH STREET, EMERYVILLE, CALIFORNIA**

Well	Date	TPH-8015 (diesel)	TPH-8015 (gas)	Benzene	Toluene	Ethylbenzene	Xylenes	MTBE
MCL (ug/l)		None	None	1.0	150	300	1750	13
ESL (ug/l)		100	100	1.0	40	30	20	5
MW-2	8/31/1999	180	NA	<1.0	<1.0	<1.0	1.2	NA
	11/23/1999	120	NA	<1.0	<1.0	<1.0	<5.0	NA
	3/1/2000	510	<50	<1.0	<1.0	<1.0	<2.0	81
	5/17/2000	1,100	<50	<1.0	<1.0	<1.0	<2.0	87
	8/31/2000	620	<50	<1.0	<1.0	<1.0	<2.0	65
	12/19/2000	830	<50	<1.0	<1.0	<1.0	<2.0	70
	3/21/2001	900	<50	<2.0	<2.0	<2.0	<4.0	33
	6/7/2001	810	<50	<1.0	<1.0	<1.0	<2.0	43
	9/20/2001	1,200	<50	<1.0	<1.0	<1.0	<2.0	35
	2/27/2002	<250	<50	<1.0	<1.0	<1.0	<2.0	19
	9/18/2002	180	<50	<1.0	<1.0	<1.0	<2.0	17
	2/6/2003	58	<50	<0.5	<0.5	<0.5	<1.0	18
	8/26/2003	150	<50	<0.5	<0.5	<0.5	<1.0	15
	2/11/2004	<50	<50	<0.5	<0.5	<0.5	<1.0	5.2
	8/30/2004	<56	<50	<0.5	<0.5	<0.5	<1.5	6.3
	2/23/2005	<50	<50	<0.5	<0.5	<0.5	<1.0	8.4
	11/3/2005*	110	<50	<0.5	<0.5	<0.5	<0.5	4.9
	5/29/2006*	70	<50	<0.5	<0.5	<0.5	<0.5	<5.0
	11/16/2006*	<50	<50	<0.5	<0.5	<0.5	<0.5	<5.0
	5/27/2007*	75	<50	<0.5	<0.5	<0.5	<0.5	<5.0
	11/10/2007*	62	<50	<0.5	<0.5	<0.5	<0.5	<5.0
	5/25/2008*	<50	<50	<0.5	<0.5	<0.5	<0.5	<5.0
	3/24/2009	<97	<50	<1.0	<1.0	<1.0	<2.0	2.9
	8/27/2009	<95	<50	<1.0	<1.0	<1.0	<2.0	2.4
	2/18/2010	<130	<50	<1.0	<1.0	<1.0	<2.0	2.5
	8/12/2010	<94	<50	<1.0	<1.0	<1.0	<2.0	2.1
	2/1/2011	134	<50	<1.0	<1.0	<1.0	<2.0	1.7
	8/3/2011	<96	<50	<1.0	<1.0	<1.0	<2.0	1.7
	2/24/2012	<100	<50	<1.0	<1.0	<1.0	<2.0	1.5

**TABLE 2**  
**ANALYTICAL RESULTS GROUNDWATER SAMPLES**  
**AC TRANSIT**  
**1177 47TH STREET, EMERYVILLE, CALIFORNIA**

Well	Date	TPH-8015 (diesel)	TPH-8015 (gas)	Benzene	Toluene	Ethylbenzene	Xylenes	MTBE
MCL (ug/l)		None	None	1.0	150	300	1750	13
ESL (ug/l)		100	100	1.0	40	30	20	5
MW-3	8/31/1999	2,700	NA	<1.0	<1.0	<1.0	<1.0	NA
	11/23/1999	640	NA	<1.0	<1.0	<1.0	<1.0	NA
	3/1/2000	<250	<50	<1.0	<1.0	<1.0	<2.0	<5.0
	5/17/2000	620	<50	<1.0	<1.0	<1.0	<2.0	<5.0
	8/31/2000	1,800	<50	<1.0	<1.0	<1.0	<2.0	<5.0
	12/18/2000	NA	<50	<1.0	<1.0	<1.0	<2.0	<5.0
	3/21/2001	1,700	<50	<1.0	<1.0	<1.0	<2.0	<5.0
	6/7/2001	770	<50	<1.0	<1.0	<1.0	<2.0	<5.0
	9/21/2001	260	<50	<1.0	<1.0	<1.0	<2.0	<5.0
	2/27/2002	560	<50	<1.0	<1.0	<1.0	<2.0	<5.0
	9/18/2002	340	<50	<1.0	<1.0	<1.0	<2.0	<5.0
	2/6/2003	<50	<50	<0.5	<0.5	<0.5	<1.0	3.9
	8/26/2003	5,800	<50	<0.5	<0.5	<0.5	<1.0	4.9
	2/11/2004	<50	<50	<0.5	<0.5	<0.5	<1.0	3.4
	8/30/2004	<56	<50	<0.5	<0.5	<0.5	1.5	4
	2/23/2005	<50	<50	<0.5	<0.5	<0.5	<1.0	5.4
	11/3/2005*	180	<50	<0.5	<0.5	<0.5	<0.5	3.2
	5/29/2006*	180	<50	<0.5	<0.5	<0.5	<0.5	<5.0
	11/16/2006*	<50	<50	<0.5	<0.5	<0.5	<0.5	<5.0
	5/27/2007*	<50	<50	<0.5	<0.5	<0.5	<0.5	<5.0
	11/10/2007*	730	<50	<0.5	<0.5	<0.5	<0.5	<5.0
	5/25/2008*	910	<50	<0.5	<0.5	<0.5	<0.5	<5.0
	3/25/2009	<110	<50	<1.0	<1.0	<1.0	<2.0	<1.0
	8/27/2009	<95	<50	<1.0	<1.0	<1.0	<2.0	<1.0
	2/18/2010	<95	<50	<1.0	<1.0	<1.0	<2.0	<1.0
	8/13/2010	<95	<50	<1.0	<1.0	<1.0	<2.0	<1.0
	2/1/2011	<94	<50	<1.0	<1.0	<1.0	<2.0	<1.0
	8/2/2011	<100	<50	<1.0	<1.0	<1.0	<2.0	<1.0
	2/23/2012	<100	<50	<1.0	<1.0	<1.0	<2.0	<1.0

**TABLE 2**  
**ANALYTICAL RESULTS GROUNDWATER SAMPLES**  
**AC TRANSIT**  
**1177 47TH STREET, EMERYVILLE, CALIFORNIA**

Well	Date	TPH-8015 (diesel)	TPH-8015 (gas)	Benzene	Toluene	Ethylbenzene	Xylenes	MTBE
MCL (ug/l)		None	None	1.0	150	300	1750	13
ESL (ug/l)		100	100	1.0	40	30	20	5
MW-4	8/31/1999	<50	NA	<1.0	<1.0	<1.0	1.6	NA
	11/23/1999	<50	NA	<1.0	<1.0	<1.0	<1.0	NA
	3/1/2000	<250	<50	<1.0	<1.0	<1.0	<2.0	<5.0
	5/17/2000	80	<50	<1.0	<1.0	<1.0	<2.0	<5.0
	8/31/2000	<250	<50	<1.0	<1.0	<1.0	<2.0	<5.0
	12/18/2000	<250	<50	<1.0	<1.0	<1.0	<2.0	<5.0
	3/20/2001	<250	<50	<1.0	<1.0	<1.0	<2.0	<5.0
	6/7/2001	<250	<50	<1.0	<1.0	<1.0	<2.0	<5.0
	11/3/2005*	<50	<50	<0.5	<0.5	<0.5	<0.5	4.1
	5/29/2006*	<50	<50	<0.5	<0.5	<0.5	<0.5	<5.0
	11/16/2006*	<50	<50	<0.5	<0.5	<0.5	<0.5	<5.0
	5/27/2007*	<50	<50	<0.5	<0.5	<0.5	<0.5	<5.0
	11/10/2007*	<50	<50	<0.5	<0.5	<0.5	<0.5	<5.0
	5/25/2008*	<50	<50	<0.5	<0.5	<0.5	<0.5	<5.0
	3/25/2009	<95	<50	<1.0	<1.0	<1.0	<2.0	1.0
	8/27/2009	<95	<50	<1.0	<1.0	<1.0	<2.0	<1.0
	2/18/2010	<95	<50	<1.0	<1.0	<1.0	<2.0	<1.0
	8/13/2010	<95	<50	<1.0	<1.0	<1.0	<2.0	<1.0
	2/1/2011	<97	<50	<1.0	<1.0	<1.0	<2.0	<1.0
	8/2/2011	<97	<50	<1.0	<1.0	<1.0	<2.0	<1.0
	2/23/2012	<100	<50	<1.0	<1.0	<1.0	<2.0	<1.0



**TABLE 2**  
**ANALYTICAL RESULTS GROUNDWATER SAMPLES**  
**AC TRANSIT**  
**1177 47TH STREET, EMERYVILLE, CALIFORNIA**

Well	Date	TPH-8015 (diesel)	TPH-8015 (gas)	Benzene	Toluene	Ethylbenzene	Xylenes	MTBE
MCL (ug/l)		None	None	1.0	150	300	1750	13
ESL (ug/l)		100	100	1.0	40	30	20	5
MW-5	8/31/1999	250	NA	<1.0	<1.0	<1.0	1	NA
	11/23/1999	300	NA	<1.0	<1.0	<1.0	<5.0	NA
	3/1/2000	340	<50	<1.0	<1.0	<1.0	<2.0	100
	5/17/2000	230	<50	<1.0	<1.0	<1.0	<2.0	86
	8/31/2000	220	<50	<1.0	<1.0	<1.0	<2.0	59
	12/18/2000	360	<50	<1.0	<1.0	<1.0	<2.0	57
	3/20/2001	250	<50	<5.0	<5.0	<5.0	<10	87
	6/7/2001	600	<50	<1.0	<1.0	<1.0	<2.0	74
	11/3/2005*	1,500	<50	<0.5	<0.5	<0.5	<0.5	5.7
	5/29/2006*	200	<50	<0.5	<0.5	<0.5	<0.5	<5.0
	11/12/2006*	130	<50	<0.5	<0.5	<0.5	<0.5	<5.0
	5/27/2007*	180	140	<0.5	<0.5	<0.5	<0.5	<10
	11/10/2007*	110	170	<0.5	<0.5	0.59	1.3	<10
	5/25/2008*	200	82	<0.5	<0.5	<0.5	<0.5	<5.0
	3/25/2009	<95	<50	<1.0	<1.0	<1.0	<2.0	1.1
	8/28/2009	<95	435	<1.0	<1.0	<1.0	<2.0	3.6
	2/18/2010	<94	<50	<1.0	<1.0	<1.0	<2.0	1.9
	8/12/2010	119	450	<1.0	<1.0	<1.0	<2.0	2.8
	2/1/2011	201	765	<1.0	<1.0	<1.0	<2.0	<1.0
	8/2/2011	<96	289	<1.0	<1.0	<1.0	<2.0	1.9
	2/23/2012	<100	<50	<1.0	<1.0	<1.0	<2.0	<b>1.4</b>

**TABLE 2**  
**ANALYTICAL RESULTS GROUNDWATER SAMPLES**  
**AC TRANSIT**  
**1177 47TH STREET, EMERYVILLE, CALIFORNIA**

Well	Date	TPH-8015 (diesel)	TPH-8015 (gas)	Benzene	Toluene	Ethylbenzene	Xylenes	MTBE
MCL (ug/l)		None	None	1.0	150	300	1750	13
ESL (ug/l)		100	100	1.0	40	30	20	5
MW-6	8/31/1999	140,000	NA	77	18	31	49	NA
	11/23/1999	6,100	NA	45	14	6.9	48	NA
	3/1/2000	22,000	2,800	6.8	<2.0	<2.0	<10	<5.0
	5/17/2000	1,800	6,200	77	16	39	37	<5.0
	8/31/2000	76,000	5,300	60	13	43	45.7	<5.0
	12/19/2000	6,300	1,300	26.0	4.9	8.4	11.5	<5.0
	3/21/2001	5,100	1,900	49.0	9.5	13	12	<10
	6/7/2001	14,000	2,600	47.0	10	13	19	<10
	9/21/2001	15,000	4,000	180	14	24	40	<50
	2/27/2002	43,000	5,000	68	16	52	41.8	<25
	9/18/2002	320,000	2,000	74	7.3	22	25	<5.0
	2/6/2003	4,300	2,600	63	8.2	18	15	<1.0
	8/26/2003	68,000	6,500	110	16	44	42	<10
	2/10/2004	19,000	3,500	37	4.9	24	15	<5
	8/30/2004	<56	<50	86	7.8	15	27	<5
	2/23/2005	4,930	687	7.9	2	0.9	4.3	<0.5
	11/3/2005*	2,000	750	13	1.9	2.9	4.6	1.4
	5/29/2006*	12,000	2,700	55	5.7	16	26	<15
	11/16/2006*	2,100	530	12	0.82	0.58	2.8	<5.0
	5/27/2007*	2,500	5,200	110	5.1	23	17	<60
	11/10/2007*	9,300	2,100	30	<1.7	3.9	4	<17
	5/25/2008*	20,000	5,000	88	<2.5	31	14	<25
	3/25/2009	2,610	785	8.9	<2.0	2.9	<4.0	<2.0
	8/28/2009	4,080	5,160	112	<10	27.1	21.5	<10
	2/19/2010	2,330	1,790	39.8	4.9	8.2	8.3	<2.0
	8/12/2010	2,080	502	9.8	1.0	1.9	<2.0	<1.0
	2/1/2011	471	330	6.1	3.2	1.6	2.8	<1.0
	8/3/2011	5,490	1,340	5.6	<5.0	<5.0	<10	<5.0
	2/23/2012	<b>12,100</b>	<b>1,770</b>	<b>29.8</b>	<5.0	<b>5.3</b>	<10.0	<5.0

**TABLE 2**  
**ANALYTICAL RESULTS GROUNDWATER SAMPLES**  
**AC TRANSIT**  
**1177 47TH STREET, EMERYVILLE, CALIFORNIA**

Well	Date	TPH-8015 (diesel)	TPH-8015 (gas)	Benzene	Toluene	Ethylbenzene	Xylenes	MTBE
MCL (ug/l)		None	None	1.0	150	300	1750	13
ESL (ug/l)		100	100	1.0	40	30	20	5
MW-7	8/31/1999	1,400	NA	<1.0	2.9	2.3	2.7	NA
	11/23/1999	530	NA	<1.0	<1.0	<1.0	<1.0	NA
	3/1/2000	640	860	<1.0	<1.0	<1.0	<2.0	<20
	5/17/2000	430	410	<1.0	<1.0	<1.0	<2.0	9.5
	8/31/2000	950	1100	<1.0	<1.0	<1.0	<2.0	<5.0
	12/18/2000	1,100	820	<1.0	<1.0	<1.0	<2.0	<5.0
	3/20/2001	770	1000	<1.0	1.4	<1.0	<2.0	<5.0
	6/7/2001	1,400	870	<1.0	<1.0	<1.0	<2.0	<5.0
	9/21/2001	940	1000	<1.0	<1.0	<2.0	<5.0	<5.0
	2/27/2002	430	930	<1.0	<1.0	<1.0	<2.0	<5.0
	9/18/2002	440	870	<1.0	<1.0	<1.0	<2.0	<5.0
	2/6/2003	230	890	<0.5	<0.5	<0.5	<1.0	1.6
	8/26/2003	470	590	<0.5	<0.5	<0.5	<1.0	1.5
	2/11/2004	140	690	<0.5	1.9	0.57	1.0	1.1
	8/30/2004	<56	200	<0.5	<0.5	<0.5	<1.5	1.5
	2/23/2005	290	283	<0.5	<0.5	<0.5	<1.0	1.1
	11/3/2005*	140	310	<0.5	<0.5	<0.5	<0.5	2.3
	5/29/2006*	120	260	<0.5	<0.5	<0.5	<0.5	<5.0
	11/12/2006*	96	120	<0.5	<0.5	<0.5	0.76	<5.0
	5/27/2007*	220	700	<0.5	<0.5	1.0	2.0	<5.0
	11/10/2007*	150	220	<0.5	<0.5	<0.5	1.0	<5.0
	5/25/2008*	270	620	0.81	<0.5	0.85	1.8	<10
	3/25/2009	<99	529	<1.0	<1.0	<1.0	<2.0	<1.0
	8/28/2009	<95	205	<1.0	<1.0	<1.0	<2.0	1.3
	2/19/2010	<100	173	<1.0	<1.0	<1.0	<2.0	<1.0
	8/13/2010	111	475	<1.0	<1.0	<1.0	<2.0	<1.0
	2/1/2011	120	174	<1.0	<1.0	<1.0	<2.0	<1.0
	8/2/2011	<97	296	<1.0	<1.0	<1.0	<2.0	1.0
	2/24/2012	<b>121</b>	<b>288</b>	<1.0	<1.0	<1.0	<2.0	<1.0

**TABLE 2**  
**ANALYTICAL RESULTS GROUNDWATER SAMPLES**  
**AC TRANSIT**  
**1177 47TH STREET, EMERYVILLE, CALIFORNIA**

Well	Date	TPH-8015 (diesel)	TPH-8015 (gas)	Benzene	Toluene	Ethylbenzene	Xylenes	MTBE
MCL (ug/l)		None	None	1.0	150	300	1750	13
ESL (ug/l)		100	100	1.0	40	30	20	5
MW-8	8/31/1999	230	NA	<1.0	<1.0	1.2	<1.0	NA
	11/23/1999	220	NA	<1.0	<1.0	<1.0	<1.0	NA
	3/1/2000	260	150	<1.0	<1.0	<1.0	<2.0	<5.0
	5/17/2000	660	310	<1.0	<1.0	<1.0	<2.0	<5.0
	8/31/2000	460	300	<1.0	<1.0	<1.0	1.4	<5.0
	12/18/2000	370	230	<1.0	<1.0	<1.0	<2.0	<5.0
	3/20/2001	1,700	64	<1.0	<1.0	<1.0	<2.0	<5.0
	6/7/2001	1,300	180	<1.0	<1.0	<1.0	<2.0	<5.0
	11/3/2005*	280	150	<0.5	<0.5	<0.5	<0.5	0.69
	5/29/2006*	150	<50	<0.5	<0.5	<0.5	<0.5	<5.0
	11/12/2006*	<50	95	<0.5	<0.5	<0.5	<0.5	<5.0
	5/27/2007*	140	140	<0.5	<0.5	<0.5	<0.5	<5.0
	11/10/2007*	160	240	<0.5	<0.5	<0.5	<0.5	<5.0
	5/25/2008*	160	230	<0.5	<0.5	<0.5	0.61	<5.0
	3/25/2009	<95	72.8	<1.0	<1.0	<1.0	<2.0	1.2
	8/28/2009	<95	62.1	<1.0	<1.0	<1.0	<2.0	1.0
	2/19/2010	<100	<50	<1.0	<1.0	<1.0	<2.0	1.1
	8/12/2010	97.6	54.1	<1.0	<1.0	<1.0	<2.0	<1.0
	2/1/2011	336	59.5	<1.0	<1.0	<1.0	<2.0	<1.0
	8/3/2011	<98	74.9	<1.0	<1.0	<1.0	<2.0	<1.0
	2/24/2012	<100	106	<1.0	<1.0	<1.0	<2.0	<1.0

**TABLE 2**  
**ANALYTICAL RESULTS GROUNDWATER SAMPLES**  
**AC TRANSIT**  
**1177 47TH STREET, EMERYVILLE, CALIFORNIA**

Well	Date	TPH-8015 (diesel)	TPH-8015 (gas)	Benzene	Toluene	Ethylbenzene	Xylenes	MTBE
MCL (ug/l)		None	None	1.0	150	300	1750	13
ESL (ug/l)		100	100	1.0	40	30	20	5
MW-9	8/31/1999	2,800	NA	<1.0	<1.0	<1.0	1.1	NA
	11/23/1999	1,300	NA	<1.0	<1.0	<1.0	<1.0	NA
	3/1/2000	510	<50	<1.0	<1.0	<1.0	<2.0	<5.0
	5/17/2000	990	<50	<1.0	<1.0	<1.0	<2.0	<5.0
	8/31/2000	1,100	<50	<1.0	<1.0	<1.0	<2.0	<5.0
	12/18/2000	1,900	<50	<1.0	<1.0	<1.0	<2.0	5.9
	3/20/2001	1,500	<50	<1.0	<1.0	<1.0	<2.0	5.5
	6/7/2001	590	<50	<1.0	<1.0	<1.0	<2.0	8.1
	9/20/2001	790	<50	<1.0	<1.0	<1.0	<2.0	8.5
	2/27/2002	650	<50	<1.0	<1.0	<1.0	<2.0	9.5
	9/18/2002	480	<50	<1.0	<1.0	<1.0	<2.0	6.2
	2/6/2003	54	<50	<0.5	<0.5	<0.5	<1.0	5.5
	8/26/2003	1,300	<50	<0.5	<0.5	<0.5	<1.0	6.6
	2/10/2004	6,200	250	<0.5	<0.5	<0.5	<1.0	4.4
	8/30/2004	<50	<50	<0.5	<0.5	<0.5	<1.5	3.6
	2/23/2005	<0.5	<50	<0.5	<0.5	<0.5	<1.0	6.0
	11/3/2005*	470	<50	<0.5	<0.5	<0.5	<0.5	4.8
	5/29/2006*	190	<50	<0.5	<0.5	<0.5	<0.5	5.2
	11/12/2006*	65	<50	<0.5	<0.5	<0.5	<0.5	<5.0
	5/27/2007*	1,000	<50	<0.5	0.92	<0.5	<0.5	<5.0
	11/10/2007*	930	<50	<0.5	<0.5	<0.5	<0.5	<5.0
	5/25/2008*	740	<50	<0.5	<0.5	<0.5	<0.5	<5.0
	3/25/2009	<390	<50	<1.0	<1.0	<1.0	<2.0	3.5
	8/28/2009	<480	<50	<1.0	<1.0	<1.0	<2.0	3.7
	2/19/2010	<190	<50	<1.0	<1.0	<1.0	<2.0	3.7
	8/12/2010	<94	<50	<1.0	<1.0	<1.0	<2.0	3.4
	2/1/2011	<280	<50	<1.0	<1.0	<1.0	<2.0	2.7
	8/2/2011	<190	<50	<1.0	<1.0	<1.0	<2.0	2.6
	2/24/2012	<100	<50	<1.0	<1.0	<1.0	<2.0	<b>1.9</b>

**TABLE 2**  
**ANALYTICAL RESULTS GROUNDWATER SAMPLES**  
**AC TRANSIT**  
**1177 47TH STREET, EMERYVILLE, CALIFORNIA**

Well	Date	TPH-8015 (diesel)	TPH-8015 (gas)	Benzene	Toluene	Ethylbenzene	Xylenes	MTBE
MCL (ug/l)		None	None	1.0	150	300	1750	13
ESL (ug/l)		100	100	1.0	40	30	20	5
MW-10	8/31/1999	1,100	NA	<1.0	1.2	2.0	<1.0	NA
	11/23/1999	1,200	NA	<1.0	<1.0	<1.0	<1.0	NA
	3/1/2000	1,300	540	<1.0	<1.0	<1.0	<2.0	NA
	5/17/2000	990	460	<1.0	<1.0	<1.0	<2.0	6.9
	8/31/2000	840	320	<1.0	<1.0	<1.0	<2.0	25
	12/18/2000	900	290	<1.0	<1.0	<1.0	<2.0	<9.0
	3/21/2001	620	220	<1.0	<1.0	<1.0	<2.0	<5.0
	6/7/2001	1,300	360	<1.0	<1.0	<1.0	<2.0	15
	9/20/2001	1,000	350	<1.0	<1.0	<1.0	<2.0	44
	2/27/2002	610	150	<1.0	<1.0	<1.0	<2.0	<5.0
	9/18/2002	850	240	<1.0	1.2	<1.0	<2.0	20
	2/6/2003	510	200	<0.5	<0.5	<0.5	<1.0	2.8
	8/26/2003	1,100	250	<0.5	<0.5	<0.5	<1.0	14
	2/10/2004	260	190	<0.5	<0.5	<0.5	<1.0	1.6
	8/30/2004	310	240	<0.5	<0.5	<0.5	<1.5	6.7
	2/23/2005	310	207	<0.5	0.7	1.4	1.3	<0.5
	11/3/2005*	600	300	<0.5	<0.5	<0.5	<0.5	4.1
	5/29/2006*	540	140	<0.5	<0.5	<0.5	<0.5	<5.0
	11/16/2006*				Well Not Accessible			
	2/24/2007*	970	190	<0.5	<0.5	<0.5	<0.5	<5.0
	5/27/2007*	850	330	<0.5	<0.5	<0.5	<0.5	<5.0
	11/10/2007*	1,200	420	<0.5	<0.5	<0.5	<0.5	<5.0
	5/28/2008*	930	330	<0.5	<0.5	0.92	1.1	<5.0
	3/25/2009	948	173	<1.0	<1.0	<1.0	<2.0	<1.0
	8/28/2009	547	389	<1.0	<1.0	<1.0	<2.0	1.6
	2/19/2010	398	72.9	<1.0	<1.0	<1.0	<2.0	<1.0
	8/13/2010	966	266	<1.0	<1.0	<1.0	<2.0	1.2
	2/1/2011	982	218	<1.0	<1.0	<1.0	<2.0	<1.0
	8/3/2011	998	85.4	<1.0	<1.0	<1.0	<2.0	<1.0
	2/24/2012	<b>6590</b>	<b>163</b>	<1.0	<1.0	<1.0	<2.0	<1.0

**TABLE 2**  
**ANALYTICAL RESULTS GROUNDWATER SAMPLES**  
**AC TRANSIT**  
**1177 47TH STREET, EMERYVILLE, CALIFORNIA**

Well	Date	TPH-8015 (diesel)	TPH-8015 (gas)	Benzene	Toluene	Ethylbenzene	Xylenes	MTBE
MCL (ug/l)		None	None	1.0	150	300	1750	13
ESL (ug/l)		100	100	1.0	40	30	20	5
MW-11	9/20/2001	460	88	<1.0	<1.0	<1.0	<2.0	<5.0
	12/14/2002	320	<50	<1.0	<1.0	<1.0	<2.0	<5.0
	2/27/2002	<50	<50	<1.0	<1.0	<1.0	<2.0	<5.0
	5/16/2002	380	<50	<1.0	<1.0	<1.0	<2.0	<5.0
	9/18/2002	250	<50	<1.0	<1.0	<1.0	<2.0	<5.0
	10/30/2002	260	<50	<0.5	<0.5	<0.5	<1.5	<2.5
	2/6/2003	250	<50	<0.5	<0.5	<0.5	<1.0	<1.0
	5/1/2003	220	<50	<0.5	<0.5	<0.5	<1.0	<1.0
	8/26/2003	300	<50	<0.5	<0.5	<0.5	<1.0	<1.0
	11/20/2003	77	<50	<0.5	<0.5	<0.5	<1.0	<1.0
	5/18/2004	<50	<50	<0.5	<0.5	<0.5	<1.0	<1.0
	8/30/2004	<56	<50	<0.5	<0.5	<0.5	<1.5	<1.0
	11/17/2004	<50	<50	<0.5	<0.5	<0.5	<1.0	<0.5
	2/23/2005	<50	<50	<0.5	<0.5	<0.5	<1.0	<0.5
	11/3/2005*	290	<50	<0.5	<0.5	<0.5	<0.5	<0.5
	2/22/2006*	<50	<50	<0.5	<0.5	<0.5	<0.5	<0.5
	5/29/2006*	250	<50	<0.5	<0.5	<0.5	<0.5	<5.0
	8/27/2006*	57	<50	<0.5	<0.5	<0.5	<0.5	<5.0
	11/12/2006*	56	<50	<0.5	<0.5	<0.5	<0.5	<5.0
	2/24/2007*	<50	<50	<0.5	<0.5	<0.5	<0.5	<5.0
	5/27/2007*	61	<50	<0.5	<0.5	<0.5	<0.5	<5.0
	9/2/2007*	67	<50	<0.5	<0.5	<0.5	<0.5	<5.0
	11/10/2007*	55	<50	<0.5	<0.5	<0.5	<0.5	<5.0
	2/28/2008*	71	<50	<0.5	<0.5	<0.5	<0.5	<5.0
	5/28/2008*	110	<50	<0.5	<0.5	<0.5	<0.5	<5.0
	11/2/2008*	200	<50	2.1	<0.5	0.51	0.70	<5.0
	3/25/2009	<99	<50	<1.0	<1.0	<1.0	<2.0	<1.0
	6/11/2009	<95	<50	<1.0	<1.0	<1.0	<2.0	<1.0
	8/28/2009	<94	<50	<1.0	<1.0	<1.0	<2.0	<1.0
	11/24/2009	<100	<50	<1.0	<1.0	<1.0	<2.0	<1.0
	2/19/2010	<95	<50	<1.0	<1.0	<1.0	<2.0	<1.0
	5/12/2010	184	<50	<1.0	<1.0	<1.0	<2.0	<1.0
	8/13/2010	<94	<50	<1.0	<1.0	<1.0	<2.0	<1.0
	11/22/2010	<95	<50	<1.0	<1.0	<1.0	<2.0	<1.0
	2/1/2011	<96	<50	<1.0	<1.0	<1.0	<2.0	<1.0
	5/24/2011	<94	<50	<1.0	<1.0	<1.0	<2.0	<1.0
	8/3/2011	<96	<50	<1.0	<1.0	<1.0	<2.0	<1.0
	2/23/2012	<100	<50	<1.0	<1.0	<1.0	<2.0	<1.0

**TABLE 2**  
**ANALYTICAL RESULTS GROUNDWATER SAMPLES**  
**AC TRANSIT**  
**1177 47TH STREET, EMERYVILLE, CALIFORNIA**

Well	Date	TPH-8015 (diesel)	TPH-8015 (gas)	Benzene	Toluene	Ethylbenzene	Xylenes	MTBE
MCL (ug/l)		None	None	1.0	150	300	1750	13
ESL (ug/l)		100	100	1.0	40	30	20	5
MW-12	9/20/2001	540	960	<1.0	<1.0	<2.0	<5.0	11
	12/14/2002	170	670	<1.0	<1.0	<1.0	<2.0	9.4
	2/27/2002	350	950	<1.0	<1.0	<1.0	<2.0	11
	5/16/2002	500	1100	<1.0	<1.0	<1.0	<2.0	6.7
	9/18/2002	1,600	570	<1.0	<1.0	<1.0	<3.0	7.1
	10/30/2002	440	420	<0.5	<0.5	<0.5	<1.5	<2.5
	2/6/2003	190	340	<0.5	<0.5	<0.5	<1.0	6.8
	5/1/2003	580	950	<2.5	<2.5	3.7	9.0	8.8
	8/26/2003	110	260	<0.5	<0.5	<0.5	<1.0	11
	11/20/2003	100	160	<0.5	<0.5	<0.5	<1.0	8.9
	2/10/2004	210	490	<0.5	0.6	<0.5	<1.0	6.7
	5/18/2004	190	620	<0.5	<0.5	0.8	<1.0	5.6
	8/30/2004	<56	430	<0.5	<0.5	<0.5	<1.5	5.6
	11/17/2004	320	186	<0.5	0.5	0.5	<1.0	10.8
	2/23/2005	340	790	3.0	6.9	1.4	4.2	6.2
	11/3/2005*	120	440	<0.5	<0.5	<0.5	<0.5	6.6
	2/22/2006*	140	400	<0.5	<0.5	<0.5	<0.5	7.8
	5/29/2006*	140	310	<0.5	<0.5	<0.5	<0.5	5.7
	8/27/2006*	120	530	<0.5	<0.5	<0.5	<0.5	6.6
	11/16/2006*	200	740	<0.5	2.1	<0.5	6.3	<10
	2/24/2007*	87	200	<0.5	<0.5	<0.5	<0.5	<10
	5/27/2007*	140	340	<0.5	<0.5	1.4	1.8	<10
	9/2/2007*	130	430	<0.5	<0.5	<0.5	0.77	8.3
	11/10/2007*	94	360	<0.5	<0.5	<0.5	<0.5	<10
	2/28/2008*	160	55	<0.5	<0.5	<0.5	<0.5	10
	5/28/2008*	850	120	<0.5	<0.5	<0.5	<0.5	8.9
	11/2/2008*	200	320	0.64	<0.5	<0.5	<0.5	<5.0
	3/25/2009	<96	89.0	<1.0	<1.0	<1.0	<2.0	4.3
	6/11/2009	<95	115	<1.0	<1.0	<1.0	<2.0	1.7
	8/28/2009	<95	97.6	<1.0	<1.0	<1.0	<2.0	4.0
	11/24/2009	<96	104	<1.0	<1.0	<1.0	<2.0	<1.0
	2/19/2010	<95	107	<1.0	<1.0	<1.0	<2.0	2.6
	5/12/2010	<96	71.4	<1.0	<1.0	<1.0	<2.0	2.9
	8/13/2010	<94	54.5	<1.0	<1.0	<1.0	<2.0	4.1
	11/22/2010	<95	132	<1.0	<1.0	<1.0	<2.0	<1.0
	2/1/2011	<98	<50	<1.0	<1.0	<1.0	<2.0	2.9
	5/24/2011	<94	160	<1.0	<1.0	<1.0	<2.0	2.1
	8/3/2011	<96	97.0	<1.0	<1.0	<1.0	<2.0	3.4
	2/24/2012	<100	<50	<1.0	<1.0	<1.0	<2.0	<b>8.4</b>



**TABLE 2**  
**ANALYTICAL RESULTS GROUNDWATER SAMPLES**  
**AC TRANSIT**  
**1177 47TH STREET, EMERYVILLE, CALIFORNIA**

Well	Date	TPH-8015 (diesel)	TPH-8015 (gas)	Benzene	Toluene	Ethylbenzene	Xylenes	MTBE
MCL (ug/l)		None	None	1.0	150	300	1750	13
ESL (ug/l)		100	100	1.0	40	30	20	5
MW-13	9/21/2001	<250	<50	<1.0	<1.0	<1.0	<2.0	7.4
	12/14/2002	160	<50	<1.0	<1.0	<1.0	<2.0	11
	2/27/2002	1,100	450	<1.0	<5.0	<1.0	<2.0	9.9
	11/3/2005*			Not sampled - free-phase product in well				
	2/22/2006*			Not sampled - free-phase product in well				
	5/29/2006*			Not sampled - free-phase product in well				
	11/16/2006*			Not sampled - free-phase product in well				
	5/27/2007*			Not sampled - free-phase product in well				
	9/2/2007*			Not sampled - free-phase product in well				
	11/10/2007*			Not sampled - free-phase product in well				
	2/28/2008*			Not sampled - free-phase product in well				
	5/25/2008*			Not sampled - free-phase product in well				
	3/24/2009			Not sampled - free-phase product in well				
	6/11/2009			Not sampled - free-phase product in well				
	8/28/2009			Not sampled - free-phase product in well				
	11/24/2009			Not sampled - free-phase product in well				
	2/19/2010			Not sampled - free-phase product in well				
	5/12/2010			Not sampled - free-phase product in well				
	8/13/2010			Not sampled - free-phase product in well				
	11/22/2010			Not sampled - free-phase product in well				
	2/1/2011			Not sampled - free-phase product in well				
	5/24/2011			Not sampled - free-phase product in well				
	2/23/2012			Not sampled - product sheen in well				

**TABLE 2**  
**ANALYTICAL RESULTS GROUNDWATER SAMPLES**  
**AC TRANSIT**  
**1177 47TH STREET, EMERYVILLE, CALIFORNIA**

Well	Date	TPH-8015 (diesel)	TPH-8015 (gas)	Benzene	Toluene	Ethylbenzene	Xylenes	MTBE
MCL (ug/l)		None	None	1.0	150	300	1750	13
ESL (ug/l)		100	100	1.0	40	30	20	5
MW-14	3/25/2009	<95	<50	<1.0	<1.0	<1.0	<2.0	5.8
	6/11/2009	<95	<50	<1.0	<1.0	<1.0	<2.0	6.9
	8/28/2009	<95	<50	<1.0	<1.0	<1.0	<2.0	7.7
	11/24/2009	<96	<50	<1.0	<1.0	<1.0	<2.0	5.4
	2/19/2010	<94	<50	<1.0	<1.0	<1.0	<2.0	7.5
	5/12/2010	209	<50	<1.0	<1.0	<1.0	<2.0	6.3
	8/13/2010	<96	<50	<1.0	<1.0	<1.0	<2.0	7.6
	11/22/2010	<94	<50	<1.0	<1.0	<1.0	<2.0	4.7
	2/1/2011	173	<50	<1.0	<1.0	<1.0	<2.0	6.5
	5/24/2011	<94	<50	<1.0	<1.0	<1.0	<2.0	8.8
	8/3/2011	<98	<50	<1.0	<1.0	<1.0	<2.0	7.3
	2/23/2012	<100	<50	<1.0	<1.0	<1.0	<2.0	<b>8.6</b>
	MW-15	3/24/2009	<95	<50	<1.0	<1.0	<1.0	<2.0
6/11/2009		<95	<50	<1.0	<1.0	<1.0	<2.0	6.2
8/28/2009		<96	<50	<1.0	<1.0	<1.0	<2.0	7.1
11/24/2009		<95	<50	<1.0	<1.0	<1.0	<2.0	5.3
2/19/2010		<94	<50	<1.0	<1.0	<1.0	<2.0	6.5
5/12/2010		<97	<50	<1.0	<1.0	<1.0	<2.0	5.6
8/13/2010		<94	<50	<1.0	<1.0	<1.0	<2.0	6.9
11/22/2010		<94	<50	<1.0	<1.0	<1.0	<2.0	6.0
2/2/2011		171	<50	<1.0	<1.0	<1.0	<2.0	4.3
5/24/2011		<97	<50	<1.0	<1.0	<1.0	<2.0	5.6
8/2/2011		<94	<50	<1.0	<1.0	<1.0	<2.0	5.9
2/23/2012		<100	<50	<1.0	<1.0	<1.0	<2.0	<b>8.1</b>
MW-16		3/24/2009	<96	62.9	<1.0	<1.0	<1.0	<2.0
	6/11/2009	<95	<50	<1.0	<1.0	<1.0	<2.0	7.2
	8/28/2009	<96	<50	<1.0	<1.0	<1.0	<2.0	7.8
	11/24/2009	<96	<50	<1.0	<1.0	<1.0	<2.0	6.3
	2/19/2010	<100	<50	<1.0	<1.0	<1.0	<2.0	7.4
	5/12/2010	255	<50	<1.0	<1.0	<1.0	<2.0	3.4
	8/13/2010	<96	<50	<1.0	<1.0	<1.0	<2.0	6.5
	11/22/2010	<94	<50	<1.0	<1.0	<1.0	<2.0	6.8
	2/1/2011	179	<50	<1.0	<1.0	<1.0	<2.0	3.8
	5/24/2011	<95	<50	<1.0	<1.0	<1.0	<2.0	4.9
	8/2/2011	<94	53.0	<1.0	<1.0	<1.0	<2.0	5.9
	2/23/2012	<100	<50	<1.0	<1.0	<1.0	<2.0	<b>4.2</b>

**TABLE 2**  
**ANALYTICAL RESULTS GROUNDWATER SAMPLES**  
**AC TRANSIT**  
**1177 47TH STREET, EMERYVILLE, CALIFORNIA**

Well	Date	TPH-8015 (diesel)	TPH-8015 (gas)	Benzene	Toluene	Ethylbenzene	Xylenes	MTBE
MCL (ug/l)		None	None	1.0	150	300	1750	13
ESL (ug/l)		100	100	1.0	40	30	20	5
W-1	5/16/2002	520	150	<1.0	<1.0	<1.0	<2.0	8.7
	3/2/2000	1,800	3,400	20.0	5.3	30	23.8	<5.0
	5/17/2000	1,100	7,300	35.0	11	59	45	<1.0
	8/31/2000	2,200	6,200	20.0	7.9	36	38.2	<10
	12/19/2000	1,700	5,600	20.0	8.4	30	35.6	<5.0
	3/20/2001	2,100	7,200	32.0	13	56	40	<10
	6/7/2001	2,100	7,300	26.0	18	42	38.3	<10
	9/21/2001	1,800	7,100	27	<10	48	40	<10
	2/27/2002	1,800	7,100	24	9	52	34	<25
	2/6/2003	990	5,300	11	4.7	27	24	<1.0
	8/26/2003	1,700	5,800	7.5	5.4	24	25	<10
	2/10/2004	940	6,000	16.0	4.9	20	21	<1.0
	8/30/2004	<56	2,500	8.6	3.6	11	18	<1.30
	2/23/2005	1,910	3,900	74.1	12.2	64.4	48.2	<0.5
	11/3/2005*	2,400	6,200	7.2	3.6	5.7	20	0.73
	5/29/2006*	1,700	4,600	18.0	4.4	17	32	<17
	11/16/2006*	760	2,600	18.0	3.7	10	19	<10
	5/27/2007*	1,200	4,200	20.0	34	12	17	<45
	11/10/2007*	1,200	6,100	32.0	<2.5	9.4	14	<25
	5/25/2008*	1,300	5,700	18.0	1.8	11	13	<17
	3/24/2009	637	3,850	10.9	<10	<10	<20	<10
	8/27/2009	681	5,010	<10	<10	<10	<20	<10
	2/18/2010	<95	5,820	12.4	<10	11	20.3	<10
8/12/2010	698	4,650	<10	<10	<10	<20	<10	
2/1/2011	514	6,570	10.2	<10	<10	<20	<10	
8/3/2011	465	3,240	<5.0	<5.0	<5.0	<10	<5.0	
	2/24/2012	<b>985</b>	<b>4,830</b>	<b>9.0</b>	<b>&lt;5.0</b>	<b>6.2</b>	<b>14.8</b>	<b>&lt;5.0</b>
W-2	9/18/2002	1,000	5900	11	<22	23	22	<5.0
	5/17/2000	19,000	870	<2.0	<1.0	<2.0	<4.0	<5.0
	8/31/2000	7,400	2200	4.6	2.5	3.8	11	<5.0

**TABLE 2**  
**ANALYTICAL RESULTS GROUNDWATER SAMPLES**  
**AC TRANSIT**  
**1177 47TH STREET, EMERYVILLE, CALIFORNIA**

Well	Date	TPH-8015 (diesel)	TPH-8015 (gas)	Benzene	Toluene	Ethylbenzene	Xylenes	MTBE
MCL (ug/l)		None	None	1.0	150	300	1750	13
ESL (ug/l)		100	100	1.0	40	30	20	5
W-3	12/19/2000	10,000	290	8.8	3.4	8.6	17.4	<5.0
	5/17/2000	<50	<50	<1.0	<1.0	<1.0	<2.0	<5.0
	8/31/2000	<50	<50	<1.0	<1.0	<1.0	<2.0	<5.0
	12/18/2000	<250	<50	<1.0	<1.0	<1.0	<2.0	<5.0
	3/20/2001	630	<50	<1.0	<1.0	<1.0	<2.0	<5.0
	11/3/2005*	<50	<50	<0.5	<0.5	<0.5	<0.5	1.2
	5/29/2006*	<50	240	<0.5	<0.5	<0.5	<0.5	<5.0
	11/16/2006*	<50	<50	<0.5	<0.5	<0.5	<0.5	<5.0
	5/27/2007*	<50	<50	<0.5	<0.5	<0.5	<0.5	<5.0
	11/10/2007*	<50	<50	<0.5	<0.5	<0.5	<0.5	<5.0
W-4	5/25/2008*	<50	<50	<0.5	<0.5	<0.5	<0.5	<5.0
	6/7/2001	1,200	<50	<1.0	<1.0	<1.0	<2.0	<5.0
	3/2/2000	190	<50	1.1	<1.0	<1.0	<2.0	<5.0
	5/17/2000	230	<50	<1.0	<1.0	<1.0	<2.0	<5.0
	8/31/2000	240	<50	<1.0	<1.0	<1.0	<2.0	<5.0
	12/19/2000	320	<50	<1.0	<1.0	<1.0	<2.0	<5.0
	3/21/2001	220	<50	<1.0	<1.0	<1.0	<2.0	<5.0
	6/7/2001	430	<50	<1.0	<1.0	<1.0	<2.0	<5.0
	11/3/2005*	66	<50	<0.5	<0.5	<0.5	<0.5	2.0
	5/29/2006*	110	<50	<0.5	<0.5	<0.5	<0.5	<5.0
	11/16/2006*	72	<50	<0.5	<0.5	<0.5	<0.5	<5.0
	5/27/2007*	180	99	0.89	<0.5	<0.5	<0.5	<5.0
	11/10/2007*	83	<50	<0.5	<0.5	<0.5	<0.5	<5.0
	5/25/2008*	71	<50	<0.5	<0.5	<0.5	<0.5	<5.0

*Notes:*

**ug/l:** micrograms per liter  
**TPH:** Total Petroleum Hydrocarbons  
**MTBE:** methyl tert butylether  
**MCL:** Maximum Contaminant Level  
**NA:** not analyzed

\* Essel Technology Services, Inc.

**TABLE 3**  
**MW-13 Monthly Overpurge**  
**AC TRANSIT**  
**1177 47TH STREET, EMERYVILLE, CALIFORNIA**

<b>Date</b>	<b>Depth to Oil</b>	<b>Depth to Water</b>	<b>Product</b>	<b>Gallons Purged</b>
3/24/2009	8.89	9.25	0.36	12
4/24/2009	10.14	10.42	0.28	12
5/1/2009	*	*	*	12
6/11/2009	10.17	10.45	0.28	11
7/27/2009	10.14	10.45	0.31	12
8/27/2009	10.40	10.78	0.38	10
9/23/2009	9.30	9.65	0.35	10
10/26/2009	9.69	9.97	0.28	8
11/24/2009	9.17	9.55	0.38	8
12/1/2009	*	*	*	8
1/29/2010	*	*	*	7
2/18/2010	8.78	9.13	0.35	7
3/1/2010	*	*	*	7
4/1/2010	*	*	*	6
5/12/2010	8.52	8.86	0.34	6
6/24/2010	9.01	9.12	0.11	6
7/16/2010	*	*	*	6
8/12/2010	9.34	9.48	0.14	6
9/24/2010	*	10.91	*	10
10/25/2010	9.10	9.19	0.09	7.5
11/22/2010	9.02	9.14	0.12	8
12/31/2010	7.50	7.64	0.14	8
1/28/2011	8.68	8.74	0.06	6
2/28/2011	7.23	7.34	0.11	7
3/11/2011	7.83	7.92	0.09	8
4/29/2011	8.31	8.37	0.06	6
5/24/2011	8.97	9.00	0.03	6
8/2/2011	9.00	9.27	0.27	8
9/22/2011	8.96	9.14	0.18	8
10/26/2011	9.08	9.24	0.16	7
11/23/2011	9.06	9.15	0.09	7
12/29/2011	*	9.13	*	6
1/30/2012	*	9.18	*	6
2/23/2012	9.18	9.22	0.04	6

*Notes:*

\* Oil/Water Interface Probe not working properly

**APPENDIX A**

**CHAIN-OF-CUSTODY DOCUMENTATION  
FIELD DATA SHEETS  
CERTIFIED ANALYTICAL REPORTS**

## HYDRODATA

PROJECT: AC\_Transit-Emeryville

EVENT: 1Q2012

SAMPLER: DB, KK

NO.	WELL OR LOCATION	DATE	TIME	MEASUREMENT	CODE	COMMENTS
1	MW-1	2/23/2012	1004	4.10	SWL	
2	MW-2	2/23/2012	1009	3.61	SWL	
3	MW-3	2/23/2012	0957	5.21	SWL	
4	MW-4	2/23/2012	0952	5.28	SWL	
5	MW-5	2/23/2012	1010	3.50	SWL	
6	MW-6	2/23/2012	1032	3.00	SWL	
7	MW-7	2/23/2012	1044	5.07	SWL	
8	MW-8	2/23/2012	1055	4.36	SWL	
9	MW-9	2/23/2012	1051	3.07	SWL	
10	MW-10	2/23/2012	1028	9.58	SWL	
11	MW-11	2/23/2012	1039	2.55	SWL	
12	MW-12	2/23/2012	1034	10.94	SWL	
13	MW-13	2/23/2012	1020	9.18	OIL	
14	MW-13	2/23/2012	1020	9.22	SWL	
15	MW-14	2/23/2012	1017	9.26	SWL	
16	MW-15	2/23/2012	1012	8.00	SWL	
17	MW-16	2/23/2012	1004	7.18	SWL	
18	W-1	2/23/2012	1035	5.10	SWL	
19	W-3	2/23/2012	0940	6.16	SWL	
20	W-4	2/23/2012	1028	3.42	SWL	

**CODES:**

SWL - Static Water Level

OIL - Oil Level

OWI - Oil/Water Interface

MTD - Measured Total Depth

**CAMERON-COLE**  
**SAMPLING EVENT DATA SHEET**

WELL OR LOCATION W-2

PROJECT AC Transit - Emeryville EVENT 1Q2012 SAMPLER KK DATE 2/24/12

<p>Intake depth</p> <p>SWL <u>5.15</u> (if above screen)</p> <p>SWL (if in screen)</p> <p>Measured TD <u>16.62</u></p>	Well type <u>MW</u> (MW, EW, PZ, etc.)	ACTION	TIME	PUMP RATE (gpm)	DTW
	Diameter <u>2"</u>	Start Pump / Begin	<u>1031</u>	<u>2.0</u>	<u>5.15</u>
	<u>0.163</u> gal/ft. casing				
	=TOP	Stop	<u>1036</u>		
	=BOP	Sampled	<u>1050</u>		
=TD (as built)	Final IWL				<u>5.50</u>

**PURGE CALCULATION**

0.163 gal/ft. \* 11.44 ft. = 1.86 gals. X 3 = 5.60 gals.

SWL to TD                      one volume                      purge volume - 3 casings

2" = 0.163 gal/ft.                      4" = 0.65 gal/ft.                      6" = 1.47 gal/ft.

Equipment Used / Sampling Method / Description of Event:

Centrifugal pump used to purge;  
Disposable bailer used to sample.

Actual gallons purged 8.0

Actual volumes purged 4.30

Well Yield ⊕ HY

COC # \_\_\_\_\_

Sample I.D.	Analysis	Lab
<u>W-2</u>	BTEX, MTBE, TPH-g by 8260B	AT
↓	TPH-diesel/motor oil by 8015 Mod with Silica Gel Cleanup	↓

Additional Comments: 2/24/12 New Total Depth \*16.62

Gallons Purged *	Temp °C	EC (us / cm)	pH	Turbidity (NTU)	Other
1. <u>2.0</u>	<u>21.6</u>	<u>648</u>	<u>6.94</u>	<u>15.83</u>	
2. <u>4.0</u>	<u>21.4</u>	<u>655</u>	<u>6.88</u>	<u>12.72</u>	
3. <u>6.0</u>	<u>21.4</u>	<u>659</u>	<u>6.81</u>	<u>13.00</u>	
4.					
5.					

\*Take measurement at approximately each casing volume purged. ⊕ HY - Minimal W.L. drop MY - WL drop - able to purge 3 volumes during one sitting by reducing pump rate or cycling pump LY - Able to purge 3 volumes by returning later or next day. VLY - Minimal recharge - unable to purge 3 volumes.



**CAMERON-COLE**  
**SAMPLING EVENT DATA SHEET**

WELL OR LOCATION MW-2

PROJECT AC Transit - Emeryville EVENT 1Q2012 SAMPLER KK DATE 8/24/12

Well type <u>MW</u> (MW, EW, PZ, etc.)	ACTION	TIME	PUMP RATE		DTW
			(gpm)		
Intake depth <u>12</u>  SWL <u>3.67</u> (if above screen)  SWL _____ (if in screen)  Measured TD _____ TD _____	Start Pump / Begin	<u>0915</u>	<u>2.0</u>		<u>3.67</u>
	Diameter <u>2"</u>				
	<u>0.163</u> gal/ft. casing				
=TOP	Stop	<u>0919</u>			<u>4.00</u>
=BOP	Sampled	<u>0925</u>			
=TD (as built)	Final IWL				
<p align="center"><b>PURGE CALCULATION</b></p> <p><u>0.163</u> gal/ft. * <u>11.33</u> ft. = <u>1.84</u> gals. X 3 = <u>5.54</u> gals.</p> <p align="center">SWL to TD                          one volume                          purge volume - 3 casings</p> <p>2" = 0.163 gal/ft.                          4" = 0.65 gal/ft.                          6" = 1.47 gal/ft.</p>					

Equipment Used / Sampling Method / Description of Event:  
 Centrifugal pump used to purge;  
 Disposable bailer used to sample.

Actual gallons purged 70

Actual volumes purged 3.80

Well Yield ⊕ HY

Additional Comments:

Sample I.D.	Analysis	Lab
<u>MW-2</u>	BTEX, MTBE, TPH-g by 8260B	AT
↓	TPH-diesel/motor oil by 8015 Mod with Silica Gel Cleanup	↓

Gallons Purged *	Temp °C	EC (us / cm)	pH	Turbidity (NTU)	Other
1. <u>2.0</u>	<u>20.9</u>	<u>483</u>	<u>7.54</u>	<u>12.67</u>	
2. <u>4.0</u>	<u>21.0</u>	<u>470</u>	<u>7.55</u>	<u>6.17</u>	
3. <u>5.5</u>	<u>21.1</u>	<u>470</u>	<u>7.78</u>	<u>6.76</u>	
4.					
5.					

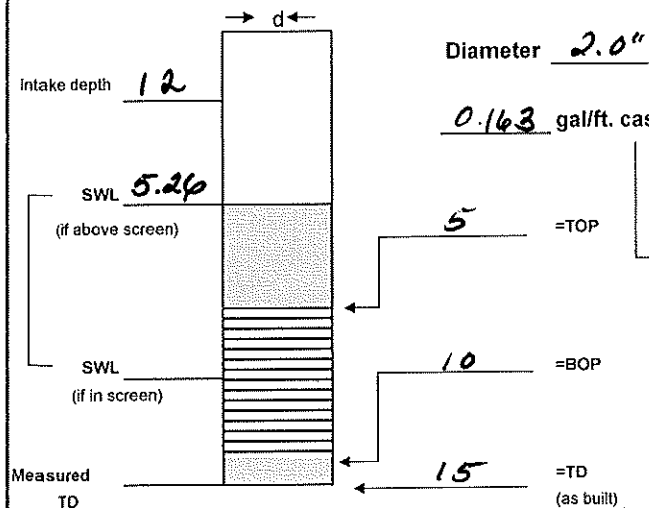
\*Take measurement at approximately each casing volume purged. ⊕  
 HY-Minimal W.L. drop      MY - WL drop - able to purge 3 volumes during one sitting by reducing pump rate or cycling pump      LY - Able to purge 3 volumes by retuning later or next day.      VLY - Minimal recharge - unable to purge 3 volumes.

**CAMERON-COLE  
SAMPLING EVENT DATA SHEET**

WELL OR LOCATION MW-3

PROJECT AC Transit - Emeryville EVENT 1Q2012 SAMPLER KK DATE 2/23/12

Well type <u>MW</u> (MW, EW, PZ, etc.)	ACTION	TIME	PUMP RATE	DTW
			(gpm)	
Intake depth <u>12</u>  SWL <u>5.26</u> (if above screen)  SWL _____ (if in screen)  Measured TD _____ TD _____ (as built)	Start Pump / Begin	<del>1358</del> <u>1358</u>	<u>1.0</u>	<u>5.26</u>
	Stop	<u>1407</u>		
	Sampled	<u>1415</u>		
	Final IWL			



**PURGE CALCULATION**

0.163 gal/ft. \* 9.74 ft. = 1.58 gals. X 3 = 4.76 gals.  
SWL to TD                      one volume                      purge volume - 3 casings

2" = 0.163 gal/ft.      4" = 0.65 gal/ft.      6" = 1.47 gal/ft.

Equipment Used / Sampling Method / Description of Event:  
 Centrifugal pump used to purge;  
 Disposable bailer used to sample.

Actual gallons purged 5.00

Actual volumes purged 3.16 gal 5.69

Well Yield ⊕ HY

COC # \_\_\_\_\_

Sample I.D.	Analysis	Lab
<u>MW-3</u>	BTEX, MTBE, TPH-g by 8260B	AT
↓	TPH-diesel/motor oil by 8015 Mod with Silica Gel Cleanup	↓

Additional Comments:

Gallons Purged *	Temp °C	EC (us / cm)	pH	Turbidity (NTU)	Other
1. <u>1.0</u>	<u>24.1</u>	<u>598</u>	<u>6.67</u>	<u>19.73</u>	
2. <u>3.0</u>	<u>21.3</u>	<u>618</u>	<u>6.62</u>	<u>11.64</u>	
3. <u>4.5</u>	<u>21.9</u>	<u>598</u> <del>668</del>	<u>6.68</u>	<u>11.64</u> <del>9.45</del>	
4.					
5.					

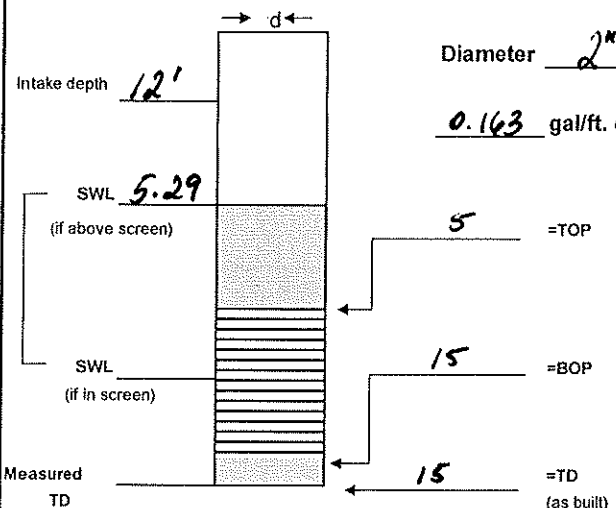
\*Take measurement at approximately each casing volume purged. ⊕ HY - Minimal W.L. drop MY - WL drop - able to purge 3 volumes during one sitting by reducing pump rate or cycling pump LY - Able to purge 3 volumes by returning later or next day. VLY - Minimal recharge - unable to purge 3 volumes.

**CAMERON-COLE**  
**SAMPLING EVENT DATA SHEET**

WELL OR LOCATION MW-4

PROJECT AC Transit - Emeryville    EVENT 1Q2012    SAMPLER K. Kelly    DATE 2/23/12

	ACTION	TIME	PUMP RATE	DTW
			(gpm)	
Well type <u>MW</u> (MW, EW, PZ, etc.)	Start Pump / Begin		1.0	5.29
Diameter <u>2"</u>			↓	
<u>0.163</u> gal/ft. casing				
	Stop	1335		5.81
	Sampled	1340		
	Final IWL			
<b>PURGE CALCULATION</b>				
<u>0.163</u> gal/ft. * <u>9.71</u> ft. = <u>1.58</u> gals. X 3 = <u>4.74</u> gals.				
SWL to TD                          one volume                          purge volume - 3 casings				
2" = 0.163 gal/ft.                  4" = 0.65 gal/ft.                  6" = 1.47 gal/ft.				



Equipment Used / Sampling Method / Description of Event:

Centrifugal pump used to purge;  
disposable bailer used to sample.

Actual gallons purged 6.0

Actual volumes purged 3.79

Well Yield ⊕ HY

Additional Comments:

COC # _____		
Sample I.D.	Analysis	Lab
<u>MW-4</u>	BTEX, MTSE, TPH-g by 8260B	AT
↓	TPH-diesel/motor oil by 8015 Mod with Silica Gel Cleanup	↓

Gallons Purged *	Temp °C	EC (us / cm)	pH	Turbidity (NTU)	Other
1. <u>1.5</u>	<u>24.2</u>	<u>705</u>	<u>7.34</u> <del>7.06</del>	<u>10.26</u>	
2. <u>3.0</u>	<u>20.8</u>	<u>624</u>	<u>7.00</u>	<u>6.51</u>	
3. <u>5.1</u> <del>4.5</del>	<u>21.2</u>	<u>550</u>	<u>6.84</u>	<u>5.30</u>	
4.					
5.					

\*Take measurement at approximately each casing volume purged.    ⊕ HY - Minimal W.L. drop    MY - WL drop - able to purge 3 volumes during one sitting by reducing pump rate or cycling pump    LY - Able to purge 3 volumes by returning later or next day.    VLY - Minimal recharge - unable to purge 3 volumes.

**CAMERON-COLE**  
**SAMPLING EVENT DATA SHEET**

WELL OR LOCATION MW-5

PROJECT AC Transit - Emeryville EVENT 1Q2012 SAMPLER KK DATE 2/23/12

	Well type <u>MW</u> (MW, EW, PZ, etc.)	ACTION	TIME	PUMP RATE (gpm)	DTW
	Diameter <u>2.0"</u>	Start Pump / Begin	<u>1530</u>	<u>2.0</u>	<u>3.52</u>
	<u>0.163</u> gal/ft. casing				
	<u>10</u> =TOP	Stop	<u>1536</u>		
	<u>20</u> =BOP	Sampled	<u>1540</u>		
	<u>20</u> =TD (as built)	Final IWL			<u>3.67</u>

**PURGE CALCULATION**

0.163 gal/ft. \* 16.48 ft. = 2.80 gals. X 3 = 8.05 gals.  
SWL to TD                      one volume                      purge volume - 3 casings

2" = 0.163 gal/ft.                      4" = 0.65 gal/ft.                      6" = 1.47 gal/ft.

<p>Equipment Used / Sampling Method / Description of Event:</p> <p>Centrifugal pump used to purge; posable bailer used to sample.</p>	<p>Actual gallons purged <u><del>4.0</del> 11.0</u></p> <p>Actual volumes purged <u>3.92</u></p> <p>Well Yield ⊕ <u>HY</u></p> <p>COC # _____</p>
---	---

Additional Comments:	Sample I.D.	Analysis	Lab
	<u>MW-5</u>	BTEX, MTBE, TPH-g by 8260B	AT
	↓	TPH-diesel/motor oil by 8015 Mod with Silica Gel Cleanup	↓

Gallons Purged *	Temp °C	EC (us / cm)	pH	Turbidity (NTU)	Other
1. <u>3.00</u>	<u>27.8</u>	<u>510</u>	<u>7.43</u>	<u>18.90</u>	
2. <u>6.00</u>	<u>22.2</u>	<u>543</u>	<u>7.20</u>	<u>29.73</u>	
3. <u>8.00</u>	<u>21.7</u>	<u>552</u>	<u>7.05</u>	<u>112.0</u>	
4.					
5.					

\*Take measurement at approximately each casing volume purged. ⊕ HY - Minimal W.L. drop MY - WL drop - able to purge 3 volumes during one sitting by reducing pump rate or cycling pump LY - Able to purge 3 volumes by returing later or next day. VLY - Minimal recharge - unable to purge 3 volumes.

**CAMERON-COLE  
SAMPLING EVENT DATA SHEET**

WELL OR LOCATION MW-6

PROJECT AC Transit - Emeryville EVENT 1Q2012 SAMPLER K. Kelly DATE 2/23/2012

	Well type <u>MW</u> (MW, EW, PZ, etc.)	<b>ACTION</b>	<b>TIME</b>	<b>PUMP RATE</b> (gpm)	<b>DTW</b>	
	Start Pump / Begin	11:59	1.23	3.10		
	Stop	12:08				
	Sampled	12:15				
	Final IWL				4.32	
	<b>PURGE CALCULATION</b>					
	$0.165 \text{ gal/ft.} \times 16.9 \text{ ft.} = 2.75 \text{ gals.} \times 3 = 8.26 \text{ gals.}$ <p style="font-size: small; margin-left: 40px;"> <del>5.43</del> <sup>one volume</sup>      <del>16.80</del> <sup>purge volume - 3 casings</sup> </p>					

Equipment Used / Sampling Method / Description of Event:  
Centrifugal pump used to purge; possible bailer used to sample.

Actual gallons purged	<u>9.00</u>
Actual volumes purged	<u>3.27</u>
Well Yield ⊕	<u>High Yield</u>

COC # \_\_\_\_\_

Additional Comments:	Sample I.D.	Analysis	Lab
	<u>MW-6</u> ↓	BTEX, MTBE, TPH-g by 8260B TPH-diesel/motor oil by 8015 Mod with Silica Gel Cleanup	AT ↓

Gallons Purged *	Temp °C	EC (us / cm)	pH	Turbidity (NTU)	Other
1. <u>2.5</u>	<u>21.7</u>	<u>799</u>	<u>6.82</u>	<u>5.63</u>	
2. <u>5.0</u>	<u>21.5</u>	<u>796</u>	<u>6.68</u>	<u>6.21</u>	
3. <u>8.0</u>	<u>21.4</u>	<u>803</u>	<u>6.66</u>	<u>3.51</u>	
4.					
5.					

\*Take measurement at approximately each casing volume purged. ⊕ HY - Minimal W.L. drop MY - WL drop - able to purge 3 volumes during one sitting by reducing pump rate or cycling pump LY - Able to purge 3 volumes by returing later or next day. VLY - Minimal recharge - unable to purge 3 volumes.

**CAMERON-COLE**  
**SAMPLING EVENT DATA SHEET**

WELL OR LOCATION MW-7

PROJECT AC Transit - Emeryville    EVENT 1Q2012    SAMPLER OB    DATE 2-24-12

<p>Intake depth <u>22'</u></p> <p>SWL <u>4.76</u> (if above screen)</p> <p>SWL _____ (if in screen)</p> <p>Measured TD _____</p>	Well type <u>MW</u> (MW, EW, PZ, etc.)	<b>ACTION</b>	<b>TIME</b>	<b>PUMP RATE (gpm)</b>	<b>DTW</b>
	Diameter <u>2"</u>	Start Pump / Begin	<u>1021</u>	<u>1.11</u>	<u>4.76</u>
	<u>0.163</u> gal/ft. casing				
	<u>18</u> =TOP	Stop	<u>1020</u>		
	<u>25</u> =BOP	Sampled	<u>1025</u>		
	<u>25</u> =TD (as built)	Final IWL			

**PURGE CALCULATION**

0.163 gal/ft. \* 20.24 ft. = 3.30 gals. X 3 = 9.90 gals.

SWL to TD                      one volume                      purge volume - 3 casings

2" = 0.163 gal/ft.                      4" = 0.65 gal/ft.                      6" = 1.47 gal/ft.

Equipment Used / Sampling Method / Description of Event:

Centrifugal pump used to purge;  
Disposable bailer used to sample.

Actual gallons purged 10

Actual volumes purged 3.03

Well Yield ⊕ HY

COC # \_\_\_\_\_

Sample I.D.	Analysis	Lab
<u>MW-7</u>	BTEX, MTBE, TPH-g by 8260B	AT
↓	TPH-diesel/motor oil by 8015 Mod with Silica Gel Cleanup	↓

Additional Comments:

Gallons Purged *	Temp °C	EC (us / cm)	pH	Turbidity (NTU)	Other
1. <u>3</u>	<u>20.4</u>	<u>969</u>	<u>6.51</u>	<u>3.06</u>	
2. <u>6</u>	<u>19.3</u>	<u>963</u>	<u>6.48</u>	<u>2.19</u>	
3. <u>9</u>	<u>20.0</u>	<u>959</u>	<u>6.48</u>	<u>1.87</u>	
4.					
5.					

\*Take measurement at approximately each casing volume purged. ⊕

HY - Minimal W.L. drop    MY - WL drop - able to purge 3 volumes during one sitting by reducing pump rate or cycling pump    LY - Able to purge 3 volumes by returing later or next day.    VLY - Minimal recharge - unable to purge 3 volumes.

**CAMERON-COLE**  
**SAMPLING EVENT DATA SHEET**

WELL OR LOCATION MW-8

PROJECT AC Transit - Emeryville EVENT 1Q2012 SAMPLER \_\_\_\_\_ DATE 2-24-12

	Well type <u>MW</u> (MW, EW, PZ, etc.)	<b>ACTION</b>	<b>TIME</b>	<b>PUMP RATE</b> (gpm)	<b>DTW</b>
	Diameter <u>2"</u>	Start Pump / Begin	<u>0930</u>	<u>1.14</u>	<u>4.35</u>
	<u>0.163</u> gal/ft. casing				
	<u>10</u> =TOP				
	<u>20</u> =BOP	Stop	<u>0937</u>		<u>4.83</u>
	<u>20</u> =TD (as built)	Sampled	<u>0940</u>		
	Measured TD	Final IWL			
<b>PURGE CALCULATION</b>					
$0.163 \text{ gal/ft.} * 15.65 \text{ ft.} = 2.55 \text{ gals.} \times 3 = 7.65 \text{ gals.}$ <p style="text-align: center; font-size: small;">SWL to TD                      one volume                      purge volume - 3 casings</p>					
<p>2" = 0.163 gal/ft.                      4" = 0.65 gal/ft.                      6" = 1.47 gal/ft.</p>					

Equipment Used / Sampling Method / Description of Event:

Centrifugal pump used to purge;  
Disposable bailer used to sample.

Actual gallons purged 8

Actual volumes purged 3.14

Well Yield  $\oplus$  HY

COC # \_\_\_\_\_

Sample I.D.	Analysis	Lab
<u>MW-8</u>	BTEX, MTBE, TPH-g by 8260B	AT
↓	TPH-diesel/motor oil by 8015 Mod with Silica Gel Cleanup	↓

Additional Comments:

Gallons Purged *	Temp °C	EC (us / cm)	pH	Turbidity (NTU)	Other
<u>2</u>	<u>20.2</u>	<u>957</u>	<u>6.74</u>	<u>3.12</u>	
<u>4</u>	<u>18.7</u>	<u>952</u>	<u>6.73</u>	<u>1.16</u>	
<u>7</u>	<u>18.4</u>	<u>954</u>	<u>6.73</u>	<u>0.59</u>	

\*Take measurement at approximately each casing volume purged.  $\oplus$  HY - Minimal W.L. drop    MY - WL drop - able to purge 3 volumes during one sitting by reducing pump rate or cycling pump    LY - Able to purge 3 volumes by returing later or next day.    VLY - Minimal recharge - unable to purge 3 volumes.



**CAMERON-COLE  
SAMPLING EVENT DATA SHEET**

WELL OR LOCATION MW-9

PROJECT AC Transit - Emeryville    EVENT 1Q2012    SAMPLER DB    DATE 2-24-12

ACTION	TIME	PUMP RATE	DTW
		(gpm)	
Start Pump / Begin	0904	1.13	3.08
		↓	
Stop	0912		3.70
Sampled	0915		
Final IWL			

Well type MW  
(MW, EW, PZ, etc.)

Diameter 2"

0.163 gal/ft. casing

Intake depth 17'

SWL 3.08  
(if above screen)

SWL \_\_\_\_\_  
(if in screen)

Measured TD \_\_\_\_\_

10' = TOP

20' = BOP

20' = TD (as built)

**PURGE CALCULATION**

0.163 gal/ft. \* 16.92 ft. = 2.76 gals. X 3 = 8.27 gals.

SWL to TD                      one volume                      purge volume - 3 casings

2" = 0.163 gal/ft.                      4" = 0.65 gal/ft.                      6" = 1.47 gal/ft.

Equipment Used / Sampling Method / Description of Event:

Centrifugal pump used to purge;  
"sposable bailer used to sample.

Actual gallons purged 9

Actual volumes purged 3.26

Well Yield ⊕ MY

COC # \_\_\_\_\_

Sample I.D.	Analysis	Lab
<u>MW-9</u>	BTEX, MTBE, TPH-g by 8280B	AT
↓	TPH-diesel/motor oil by 8015 Mod with Silica Gel Cleanup	↓

Additional Comments:

Gallons Purged *	Temp °C	EC (us / cm)	pH	Turbidity (NTU)	Other
1. <u>2</u>	<u>18.9</u>	<u>960</u>	<u>6.69</u>	<u>12.77</u>	
2. <u>4</u>	<u>19.1</u>	<u>960</u>	<u>6.67</u>	<u>10.94</u>	
3. <u>7</u>	<u>19.3</u>	<u>951</u>	<u>6.66</u>	<u>7.12</u>	
4.					
5.					

\*Take measurement at approximately each casing volume purged. ⊕ HY - Minimal W.L. drop    MY - WL drop - able to purge 3 volumes during one sitting by reducing pump rate or cycling pump    LY - Able to purge 3 volumes by returing later or next day.    VLY - Minimal recharge - unable to purge 3 volumes.



**CAMERON-COLE  
SAMPLING EVENT DATA SHEET**

WELL OR LOCATION MW-10

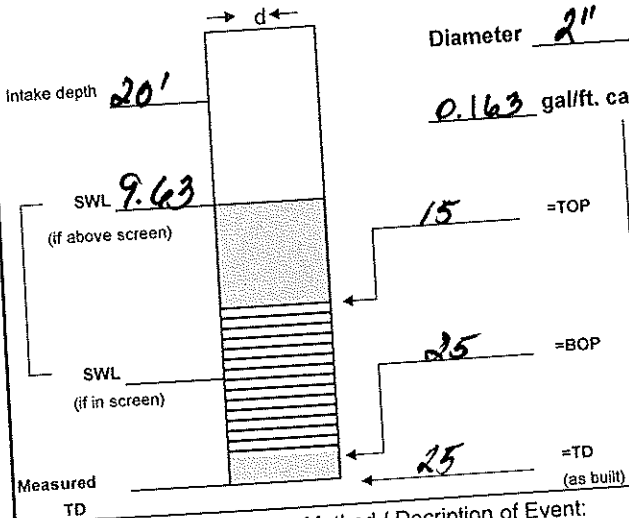
PROJECT AC Transit - Emeryville    EVENT 1Q2012    SAMPLER KK    DATE 8/24/2012

Well type MW  
(MW, EW, PZ, etc.)

Diameter 2"

0.163 gal/ft. casing

ACTION	TIME	PUMP RATE (gpm)	DTW
Start Pump / Begin	11:49	2.0	9.63
Stop	11:53		
Sampled	12:00		
Final IWL			11.26



**PURGE CALCULATION**

$0.163 \text{ gal/ft.} \times 15.37 \text{ ft.} = 2.48 \text{ gals.} \times 3 = 7.44 \text{ gals.}$   
SWL to TD                      one volume                      purge volume - 3 casings

2" = 0.163 gal/ft.                      4" = 0.65 gal/ft.                      6" = 1.47 gal/ft.

Equipment Used / Sampling Method / Description of Event:

Centrifugal pump used to purge;  
reusable bailer used to sample.

Actual gallons purged 8.0  
 Actual volumes purged 3.22  
 Well Yield  $\oplus$  HY/AM

Sample I.D.	Analysis	Lab
<u>MW-10</u>	BTEX, MTBE, TPH-g by 82609	AT
$\downarrow$	TPH-diesel/motor oil by 8015 Mod with Silica Gel Cleanup	$\downarrow$

Additional Comments:

Gallons Purged *	Temp °C	EC (us / cm)	pH	Turbidity (NTU)	Other
1. <u>2.5</u>	<u>20.4</u>	<u>504</u>	<u>6.99</u>	<u>57.48</u>	
2. <u>5.0</u>	<u>20.3</u>	<u>498</u>	<u>7.01</u>	<u>7.36</u>	
3. <u>7.5</u>	<u>20.3</u>	<u>504</u>	<u>6.94</u>	<u>5.93</u>	
4.					
5.					

\*Take measurement at approximately each casing volume purged.  $\oplus$

HY - Minimal W.L. drop    MY - WL drop - able to purge 3 volumes during one sitting by reducing pump rate or cycling pump    LY - Able to purge 3 volumes by returing later or next day.

VLY - Minimal rec unable to purg volumes.

**CAMERON-COLE**  
**SAMPLING EVENT DATA SHEET**

WELL OR LOCATION MW-11

PROJECT <u>AC Transit - Emeryville</u>	EVENT <u>1Q2012</u>	SAMPLER <u>DB</u>	DATE <u>2-23-12</u>
--	---------------------	-------------------	---------------------

	Well type <u>MW</u> (MW, EW, PZ, etc.)	<b>ACTION</b>	<b>TIME</b>	<b>PUMP RATE (gpm)</b>	<b>DTW</b>
	Diameter <u>2"</u>	Start Pump / Begin	<u>1530</u>	<u>1.17</u>	<u>2.55</u>
	<u>0.163</u> gal/ft. casing				
	<u>4</u> =TOP				
	<u>16</u> =BOP	Stop	<u>1536</u>		
	<u>16</u> =TD (as built)	Sampled	<u>1540</u>		
		Final IWL			<u>2.55</u>

<b>PURGE CALCULATION</b>			
<u>0.163</u> gal/ft. * <u>13.45</u> ft. =	<u>2.19</u> gals. X 3 =	<u>6.58</u> gals.	
SWL to TD		one volume	purge volume - 3 casings
2" = 0.163 gal/ft.	4" = 0.65 gal/ft.	6" = 1.47 gal/ft.	

Equipment Used / Sampling Method / Description of Event:  Centrifugal pump used to purge; Disposable bailer used to sample.	Actual gallons purged <u>7</u>  Actual volumes purged <u>3.20</u>  Well Yield $\oplus$ <u>HY</u>	
COC # _____		
Sample I.D.	Analysis	Lab
<u>MW-11</u>	BTEX, MTBE, TPH-g by 8260B	AT
↓	TPH-diesel/motor oil by 8015 Mod with Silica Gel Cleanup	↓

Additional Comments:						
Gallons Purged *	Temp °C	EC (us / cm)	pH	Turbidity (NTU)	Other	
1.	<u>17.4</u>	<u>517</u>	<u>7.42</u>			
2.	<u>17.0</u>	<u>514</u>	<u>7.34</u>			
3.	<u>16.9</u>	<u>512</u>	<u>7.33</u>			
4.						
5.						

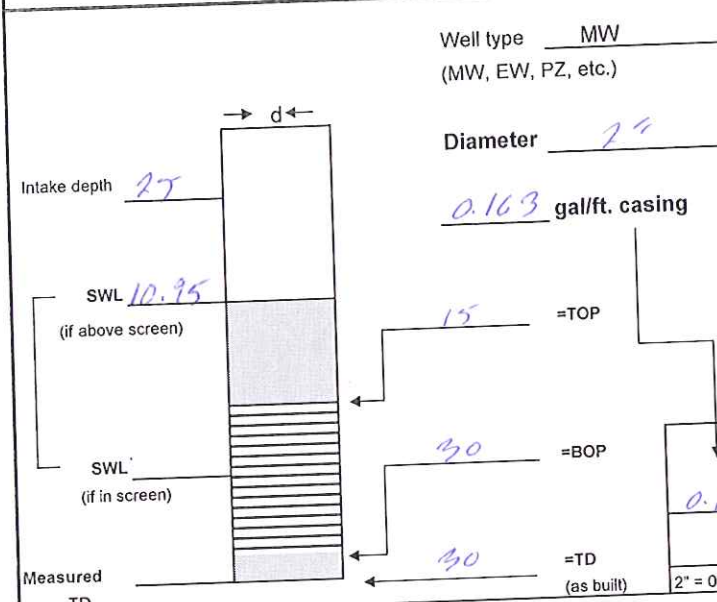
\*Take measurement at approximately each casing volume purged.  $\oplus$  HY-Minimal W.L. drop MY - WL drop - able to purge 3 volumes during one sitting by reducing pump rate or cycling pump LY - Able to purge 3 volumes by returning later or next day. VLY - Minimal recharge - unable to purge 3 volumes.

**CAMERON-COLE**  
**SAMPLING EVENT DATA SHEET**

WELL OR LOCATION MW-12

PROJECT AC Transit - Emeryville EVENT 1Q2012 SAMPLER DB DATE 2-24-12

ACTION	TIME	PUMP RATE	DTW
		(gpm)	
Start Pump / Begin	1107	1.11	10.95
		(COC)	
Stop	1116		11.13
Sampled	1120		
Final IWL			



**PURGE CALCULATION**

$0.163 \text{ gal/ft.} \times 19.05 \text{ ft.} = 3.11 \text{ gals.}$  (one volume)  
 $3.11 \text{ gals.} \times 3 = 9.32 \text{ gals.}$  (purge volume - 3 casings)

2" = 0.163 gal/ft.    4" = 0.65 gal/ft.    6" = 1.47 gal/ft.

Equipment Used / Sampling Method / Description of Event:  
 Centrifugal pump used to purge;  
 disposable bailer used to sample.

Actual gallons purged 10  
 Actual volumes purged 3.22  
 Well Yield  $\oplus$  HY

Additional Comments:

Sample I.D.	Analysis	Lab
<u>MW-12</u>	BTEX, MTBE, TPH-g by 8260B	AT
↓	TPH-diesel/motor oil by 8015 Mod with Silica Gel Cleanup	↓

Gallons Purged *	Temp °C	EC (us / cm)	pH	Turbidity (NTU)	Other
1. <u>3</u>	<u>22.8</u>	<u>876</u>	<u>6.71</u>	<u>33.31</u>	
2. <u>6</u>	<u>20.1</u>	<u>815</u>	<u>6.73</u>	<u>22.84</u>	
3. <u>9</u>	<u>19.2</u>	<u>811</u>	<u>6.66</u>	<u>19.15</u>	
4.					
5.					

\*Take measurement at approximately each casing volume purged.  $\oplus$  HY - Minimal W.L. drop MY - WL drop - able to purge 3 volumes during one sitting by reducing pump rate or cycling pump LY - Able to purge 3 volumes by returning later or next day. VLY - Minimal recharge unable to purge 3 volumes.

**CAMERON-COLE**  
**SAMPLING EVENT DATA SHEET**

WELL OR LOCATION MW-14

PROJECT AC Transit - Emeryville    EVENT 1Q2012    SAMPLER D3    DATE 2-23-12

<p>Intake depth <u>20'</u></p> <p>SWL <u>9.20</u> (if above screen)</p> <p>SWL _____ (if in screen)</p> <p>Measured TD _____</p>	Well type <u>MW</u> (MW, EW, PZ, etc.)	<b>ACTION</b>	<b>TIME</b>	<b>PUMP RATE</b> (gpm)	<b>DTW</b>
	Diameter <u>2"</u>	Start Pump / Begin	<u>1440</u>	<u>1.12</u>	<u>9.20</u>
	<u>0.163</u> gal/ft. casing				
	<u>13</u> =TOP				
	<u>23</u> =BOP	Stop	<u>1446</u>		
	<u>23</u> =TD (as built)	Sampled	<u>1450</u>		
		Final IWL			<u>13.17</u>

**PURGE CALCULATION**

0.163 gal/ft. \* 13.80 ft. = 2.25 gals. X 3 = 6.75 gals.  
SWL to TD                      one volume                      purge volume - 3 casings

2" = 0.163 gal/ft.      4" = 0.65 gal/ft.      6" = 1.47 gal/ft.

Equipment Used / Sampling Method / Description of Event:

Centrifugal pump used to purge;  
 Disposable bailer used to sample.

Actual gallons purged 7

Actual volumes purged 3.11

Well Yield  $\oplus$  HY

COC # \_\_\_\_\_

Sample I.D.	Analysis	Lab
<u>MW-14</u>	BTEX, MTBE, TPH-g by 8260B	AT
↓	TPH-diesel/motor oil by 8015 Mod with Silica Gel Cleanup	↓

Additional Comments:

Gallons Purged *	Temp °C	EC (us / cm)	pH	Turbidity (NTU)	Other
<u>2</u>	<u>19.1</u>	<u>801</u>	<u>6.73</u>	<u>9.16</u>	
<u>4</u>	<u>18.9</u>	<u>807</u>	<u>6.68</u>	<u>6.36</u>	
<u>6</u>	<u>19.1</u>	<u>804</u>	<u>6.65</u>	<u>4.47</u>	

\*Take measurement at approximately each casing volume purged.  $\oplus$  HY - Minimal W.L. drop    MY - WL drop - able to purge 3 volumes during one siting by reducing pump rate or cycling pump    LY - Able to purge 3 volumes by returning later or next day.    VLY - Minimal recharge - unable to purge 3 volumes.



**CAMERON-COLE**  
**SAMPLING EVENT DATA SHEET**

WELL OR LOCATION MW-15

PROJECT AC Transit - Emeryville EVENT 1Q2012 SAMPLER \_\_\_\_\_ DATE 2-23-12

	Well type <u>MW</u> (MW, EW, PZ, etc.)	<b>ACTION</b>	<b>TIME</b>	<b>PUMP RATE</b> (gpm)	<b>DTW</b>
	Diameter <u>2"</u>	Start Pump / Begin	<u>1322</u>	<u>114</u>	<u>8.85</u>
	<u>0.163</u> gal/ft. casing				
		Stop	<u>1329</u>		
		Sampled	<u>1330</u>		
	Final IWL				<u>10.16</u>
<b>PURGE CALCULATION</b>					
$\underline{0.163} \text{ gal/ft.} * \underline{16.15} \text{ ft.} = \underline{2.65} \text{ gals.} \times 3 = \underline{7.90} \text{ gals.}$ <p align="center">SWL to TD                      one volume                      purge volume - 3 casings</p>					
Measured TD                      2" = 0.163 gal/ft.                      4" = 0.65 gal/ft.                      6" = 1.47 gal/ft.					

Equipment Used / Sampling Method / Description of Event:

Centrifugal pump used to purge;  
 Disposable bailer used to sample.

Actual gallons purged 8

Actual volumes purged 3.04

Well Yield  $\oplus$  HY

COC # \_\_\_\_\_

Additional Comments:	Sample I.D.	Analysis	Lab
	<u>MW-15</u>	BTEX, MTBE, TPH-g by 8260B	AT
	↓	TPH-diesel/motor oil by 8015 Mod with Silica Gel Cleanup	↓

Gallons Purged *	Temp °C	EC (us / cm)	pH	Turbidity (NTU)	Other
1. <u>2</u>	<u>20.1</u>	<u>215</u>	<u>6.92</u>	<u>23.17</u>	
2. <u>4</u>	<u>20.0</u>	<u>220</u>	<u>6.91</u>	<u>11.86</u>	
3. <u>7</u>	<u>19.9</u>	<u>223</u>	<u>6.89</u>	<u>7.29</u>	
4.					
5.					

\*Take measurement at approximately each casing volume purged.  $\oplus$  HY - Minimal W.L. drop MY - WL drop - able to purge 3 volumes during one sitting by reducing pump rate or cycling pump LY - Able to purge 3 volumes by returning later or next day. VLY - Minimal recharge - unable to purge 3 volumes.

**CAMERON-COLE**  
**SAMPLING EVENT DATA SHEET**

WELL OR LOCATION MW-16

PROJECT AC Transit - Emeryville EVENT 1Q2012 SAMPLER OB DATE 2-23-12

	Well type <u>MW</u> (MW, EW, PZ, etc.)	<b>ACTION</b>	<b>TIME</b>	<b>PUMP RATE</b> (gpm)	<b>DTW</b>	
	<b>Start Pump / Begin</b>	<u>1348</u>	<u>1.13</u>	<u>7.29</u>		
	<b>Stop</b>	<u>1356</u>				
	<b>Sampled</b>	<u>1400</u>				
	<b>Final IWL</b>			<u>15.17</u>		
	<b>PURGE CALCULATION</b>					
	$0.163 \text{ gal/ft.} * 16.71 \text{ ft.} = 2.72 \text{ gals.} \times 3 = 8.17 \text{ gals.}$ <p style="text-align: center; font-size: small;">SWL to TD                      one volume                      purge volume - 3 casings</p>					
	<p style="font-size: x-small;">2" = 0.163 gal/ft.      4" = 0.65 gal/ft.      6" = 1.47 gal/ft.</p>					

Equipment Used / Sampling Method / Description of Event:

Centrifugal pump used to purge;  
"splosable" bailer used to sample.

Actual gallons purged	<u>9</u>
Actual volumes purged	<u>3.31</u>
Well Yield ⊕	<u>HY</u>
COC # _____	
Sample I.D.	Analysis
<u>MW-16</u>	BTEX, MTBE, TPH-g by 8260B
↓	TPH-diesel/motor oil by 8015 Mod with Silica Gel Cleanup
Lab	AT
	↓

Additional Comments:

Gallons Purged *	Temp °C	EC (us / cm)	pH	Turbidity (NTU)	Other
1. <u>2</u>	<u>18.6</u>	<u>956</u>	<u>6.94</u>	<u>112.6</u>	
2. <u>4</u>	<u>17.4</u>	<u>959</u>	<u>6.90</u>	<u>91.3</u>	
3. <u>7</u>	<u>17.8</u>	<u>962</u>	<u>6.88</u>	<u>48.7</u>	
4.					
5.					

\*Take measurement at approximately each casing volume purged. ⊕ HY - Minimal W.L. drop MY - WL drop - able to purge 3 volumes during one sitting LY - Able to purge 3 volumes by returing later or next day. VLY - Minimal recharge - unable to purge 3 volumes.

**Technical Report for**

**Cameron-Cole**

**T0600118672-AC Transit, Emeryville, CA**

**2036-001**

**Accutest Job Number: C20562**

**Sampling Dates: 02/23/12 - 02/24/12**

**Report to:**

**Cameron-Cole**  
**50 Hegenberger Loop**  
**Oakland, CA 94621**  
**dbaker@cameron-cole.com; dmetz@cameron-cole.com;**  
**ssurani@cameron-cole.com**  
**ATTN: Dennis Baker**

**Total number of pages in report: 59**



Test results contained within this data package meet the requirements of the National Environmental Laboratory Accreditation Conference and/or state specific certification programs as applicable.

**Kesavalu M. Bagawandoss,**  
**Ph.D., J.D., Lab Director**

**Client Service contact: Nutan Kabir 408-588-0200**

Certifications: CA (08258CA) AZ (AZ0762) DoD/ISO/IEC 17025:2005 (L2242)

This report shall not be reproduced, except in its entirety, without the written approval of Accutest Laboratories.  
Test results relate only to samples analyzed.

# Table of Contents

-1-

<b>Section 1: Sample Summary .....</b>	<b>3</b>
<b>Section 2: Case Narrative/Conformance Summary .....</b>	<b>5</b>
<b>Section 3: Sample Results .....</b>	<b>6</b>
<b>3.1: C20562-1: TB-01 .....</b>	7
<b>3.2: C20562-2: MW-15 .....</b>	8
<b>3.3: C20562-3: MW-16 .....</b>	10
<b>3.4: C20562-4: MW-14 .....</b>	12
<b>3.5: C20562-5: MW-11 .....</b>	14
<b>3.6: C20562-6: MW-9 .....</b>	16
<b>3.7: C20562-7: MW-8 .....</b>	18
<b>3.8: C20562-8: MW-7 .....</b>	20
<b>3.9: C20562-9: MW-12 .....</b>	22
<b>3.10: C20562-10: MW-6 .....</b>	24
<b>3.11: C20562-11: MW-1 .....</b>	26
<b>3.12: C20562-12: MW-3 .....</b>	28
<b>3.13: C20562-13: MW-4 .....</b>	30
<b>3.14: C20562-14: MW-5 .....</b>	32
<b>3.15: C20562-15: MW-2 .....</b>	34
<b>3.16: C20562-16: W-1 .....</b>	36
<b>3.17: C20562-17: MW-10 .....</b>	38
<b>Section 4: Misc. Forms .....</b>	<b>40</b>
<b>4.1: Chain of Custody .....</b>	41
<b>Section 5: GC/MS Volatiles - QC Data Summaries .....</b>	<b>44</b>
<b>5.1: Method Blank Summary .....</b>	45
<b>5.2: Blank Spike/Blank Spike Duplicate Summary .....</b>	48
<b>5.3: Laboratory Control Sample Summary .....</b>	51
<b>5.4: Matrix Spike/Matrix Spike Duplicate Summary .....</b>	54
<b>Section 6: GC Semi-volatiles - QC Data Summaries .....</b>	<b>56</b>
<b>6.1: Method Blank Summary .....</b>	57
<b>6.2: Blank Spike/Blank Spike Duplicate Summary .....</b>	58
<b>6.3: Matrix Spike/Matrix Spike Duplicate Summary .....</b>	59





## Sample Summary

Cameron-Cole

Job No: C20562

T0600118672-AC Transit, Emeryville, CA  
Project No: 2036-001

Sample Number	Collected		Received	Matrix		Client Sample ID
	Date	Time By		Code	Type	
C20562-1	02/23/12	11:45 DB	02/27/12	AQ	Trip Blank Water	TB-01
C20562-2	02/23/12	13:30 DB	02/27/12	AQ	Ground Water	MW-15
C20562-3	02/23/12	14:00 DB	02/27/12	AQ	Ground Water	MW-16
C20562-4	02/23/12	14:50 DB	02/27/12	AQ	Ground Water	MW-14
C20562-5	02/23/12	15:40 DB	02/27/12	AQ	Ground Water	MW-11
C20562-6	02/24/12	09:15 DB	02/27/12	AQ	Ground Water	MW-9
C20562-7	02/24/12	09:40 DB	02/27/12	AQ	Ground Water	MW-8
C20562-8	02/24/12	10:25 DB	02/27/12	AQ	Ground Water	MW-7
C20562-9	02/24/12	11:20 DB	02/27/12	AQ	Ground Water	MW-12
C20562-10	02/23/12	12:15 DB	02/27/12	AQ	Ground Water	MW-6
C20562-11	02/23/12	14:50 DB	02/27/12	AQ	Ground Water	MW-1
C20562-12	02/23/12	14:15 DB	02/27/12	AQ	Ground Water	MW-3
C20562-13	02/23/12	13:40 DB	02/27/12	AQ	Ground Water	MW-4



## Sample Summary

(continued)

Cameron-Cole

**Job No:** C20562

T0600118672-AC Transit, Emeryville, CA  
 Project No: 2036-001

Sample Number	Collected		Received	Matrix		Client Sample ID
	Date	Time By		Code	Type	
C20562-14	02/23/12	15:40 DB	02/27/12	AQ	Ground Water	MW-5
C20562-15	02/24/12	09:25 DB	02/27/12	AQ	Ground Water	MW-2
C20562-16	02/24/12	10:50 DB	02/27/12	AQ	Ground Water	W-1
C20562-17	02/24/12	12:00 DB	02/27/12	AQ	Ground Water	MW-10

## SAMPLE DELIVERY GROUP CASE NARRATIVE

**Client:** Cameron-Cole

**Job No** C20562

**Site:** T0600118672-AC Transit, Emeryville, CA

**Report Date** 3/9/2012 2:29:26 AM

16 Sample(s), 1 Trip Blank(s) and 0 Field Blank(s) were collected between 02/23/2012 and 02/24/2012 and were received at Accutest on 02/27/2012 properly preserved and intact, unless noted below. These Samples received an Accutest job number of C20562. A listing of the Laboratory Sample ID, Client Sample ID and dates of collection are presented in the Results Summary Section of this report.

Except as noted below, all method specified calibrations and quality control performance criteria were met for this job. For more information, please refer to QC summary pages.

### Volatiles by GCMS By Method SW846 8260B

**Matrix:** AQ

**Batch ID:** VQ270

- Sample(s) C20562-6MS, C20562-6MSD were used as the QC samples indicated.

### Extractables by GC By Method SW846 8015B M

**Matrix:** AQ

**Batch ID:** OP5475

- Sample(s) C20541-2MS, C20541-2MSD were used as the QC samples indicated.

Accutest Laboratories Northern California (ALNCA) certifies that this report meets the project requirements for analytical data produced for the samples as received at ALNCA and as stated on the COC. ALNCA certifies that the data meets the Data Quality Objectives for precision, accuracy and completeness as specified in the ALNCA Quality Manual except as noted above. This report is to be used in its entirety. ALNCA is not responsible for any assumptions of data quality if partial data packages are used

Sample Results

---

Report of Analysis

---

## Report of Analysis

<b>Client Sample ID:</b> TB-01		<b>Date Sampled:</b> 02/23/12
<b>Lab Sample ID:</b> C20562-1		<b>Date Received:</b> 02/27/12
<b>Matrix:</b> AQ - Trip Blank Water		<b>Percent Solids:</b> n/a
<b>Method:</b> SW846 8260B		
<b>Project:</b> T0600118672-AC Transit, Emeryville, CA		

Run #	File ID	DF	Analyzed	By	Prep Date	Prep Batch	Analytical Batch
Run #1	Q7284.D	1	03/05/12	TN	n/a	n/a	VQ269
Run #2							

Run #	Purge Volume
Run #1	10.0 ml
Run #2	

## Purgeable Aromatics, MTBE

CAS No.	Compound	Result	RL	Units	Q
71-43-2	Benzene	ND	1.0	ug/l	
108-88-3	Toluene	ND	1.0	ug/l	
100-41-4	Ethylbenzene	ND	1.0	ug/l	
1330-20-7	Xylene (total)	ND	2.0	ug/l	
1634-04-4	Methyl Tert Butyl Ether	ND	1.0	ug/l	
	TPH-GRO (C6-C10)	ND	50	ug/l	

CAS No.	Surrogate Recoveries	Run# 1	Run# 2	Limits
1868-53-7	Dibromofluoromethane	98%		60-130%
2037-26-5	Toluene-D8	95%		60-130%
460-00-4	4-Bromofluorobenzene	94%		60-130%

ND = Not detected

RL = Reporting Limit

E = Indicates value exceeds calibration range

J = Indicates an estimated value

B = Indicates analyte found in associated method blank

N = Indicates presumptive evidence of a compound

## Report of Analysis

32  
3

<b>Client Sample ID:</b> MW-15	<b>Date Sampled:</b> 02/23/12
<b>Lab Sample ID:</b> C20562-2	<b>Date Received:</b> 02/27/12
<b>Matrix:</b> AQ - Ground Water	<b>Percent Solids:</b> n/a
<b>Method:</b> SW846 8260B	
<b>Project:</b> T0600118672-AC Transit, Emeryville, CA	

Run #	File ID	DF	Analyzed	By	Prep Date	Prep Batch	Analytical Batch
Run #1	Q7286.D	1	03/05/12	TN	n/a	n/a	VQ269
Run #2							

Run #	Purge Volume
Run #1	10.0 ml
Run #2	

**Purgeable Aromatics, MTBE**

CAS No.	Compound	Result	RL	Units	Q
71-43-2	Benzene	ND	1.0	ug/l	
108-88-3	Toluene	ND	1.0	ug/l	
100-41-4	Ethylbenzene	ND	1.0	ug/l	
1330-20-7	Xylene (total)	ND	2.0	ug/l	
1634-04-4	Methyl Tert Butyl Ether	8.1	1.0	ug/l	
	TPH-GRO (C6-C10)	ND	50	ug/l	

CAS No.	Surrogate Recoveries	Run# 1	Run# 2	Limits
1868-53-7	Dibromofluoromethane	99%		60-130%
2037-26-5	Toluene-D8	104%		60-130%
460-00-4	4-Bromofluorobenzene	117%		60-130%

ND = Not detected  
 RL = Reporting Limit  
 E = Indicates value exceeds calibration range

J = Indicates an estimated value  
 B = Indicates analyte found in associated method blank  
 N = Indicates presumptive evidence of a compound

## Report of Analysis

32  
3

<b>Client Sample ID:</b> MW-15	<b>Date Sampled:</b> 02/23/12
<b>Lab Sample ID:</b> C20562-2	<b>Date Received:</b> 02/27/12
<b>Matrix:</b> AQ - Ground Water	<b>Percent Solids:</b> n/a
<b>Method:</b> SW846 8015B M SW846 3510C	
<b>Project:</b> T0600118672-AC Transit, Emeryville, CA	

Run #	File ID	DF	Analyzed	By	Prep Date	Prep Batch	Analytical Batch
Run #1	GG32281.D	1	02/29/12	JH	02/28/12	OP5475	GGG864
Run #2							

Run #	Initial Volume	Final Volume
Run #1	1000 ml	1.0 ml
Run #2		

**TPH Extractable w/ Silica Gel Cleanup**

CAS No.	Compound	Result	RL	Units	Q
	TPH (Diesel)	ND	0.10	mg/l	
	TPH (Motor Oil)	ND	0.20	mg/l	

CAS No.	Surrogate Recoveries	Run# 1	Run# 2	Limits
630-01-3	Hexacosane	72%		45-140%

ND = Not detected  
 RL = Reporting Limit  
 E = Indicates value exceeds calibration range

J = Indicates an estimated value  
 B = Indicates analyte found in associated method blank  
 N = Indicates presumptive evidence of a compound

# Report of Analysis

<b>Client Sample ID:</b> MW-16		<b>Date Sampled:</b> 02/23/12
<b>Lab Sample ID:</b> C20562-3		<b>Date Received:</b> 02/27/12
<b>Matrix:</b> AQ - Ground Water		<b>Percent Solids:</b> n/a
<b>Method:</b> SW846 8260B		
<b>Project:</b> T0600118672-AC Transit, Emeryville, CA		

Run #	File ID	DF	Analyzed	By	Prep Date	Prep Batch	Analytical Batch
Run #1	Q7287.D	1	03/05/12	TN	n/a	n/a	VQ269
Run #2							

Run #	Purge Volume
Run #1	10.0 ml
Run #2	

**Purgeable Aromatics, MTBE**

CAS No.	Compound	Result	RL	Units	Q
71-43-2	Benzene	ND	1.0	ug/l	
108-88-3	Toluene	ND	1.0	ug/l	
100-41-4	Ethylbenzene	ND	1.0	ug/l	
1330-20-7	Xylene (total)	ND	2.0	ug/l	
1634-04-4	Methyl Tert Butyl Ether	4.2	1.0	ug/l	
	TPH-GRO (C6-C10)	ND	50	ug/l	

CAS No.	Surrogate Recoveries	Run# 1	Run# 2	Limits
1868-53-7	Dibromofluoromethane	100%		60-130%
2037-26-5	Toluene-D8	101%		60-130%
460-00-4	4-Bromofluorobenzene	101%		60-130%

ND = Not detected  
 RL = Reporting Limit  
 E = Indicates value exceeds calibration range

J = Indicates an estimated value  
 B = Indicates analyte found in associated method blank  
 N = Indicates presumptive evidence of a compound



## Report of Analysis

<b>Client Sample ID:</b> MW-16 <b>Lab Sample ID:</b> C20562-3 <b>Matrix:</b> AQ - Ground Water <b>Method:</b> SW846 8015B M SW846 3510C <b>Project:</b> T0600118672-AC Transit, Emeryville, CA	<b>Date Sampled:</b> 02/23/12 <b>Date Received:</b> 02/27/12 <b>Percent Solids:</b> n/a
--	---

Run #	File ID	DF	Analyzed	By	Prep Date	Prep Batch	Analytical Batch
Run #1	GG32306.D	1	02/29/12	JH	02/28/12	OP5475	GGG864
Run #2							

Run #	Initial Volume	Final Volume
Run #1	1000 ml	1.0 ml
Run #2		

### TPH Extractable w/ Silica Gel Cleanup

CAS No.	Compound	Result	RL	Units	Q
	TPH (Diesel)	ND	0.10	mg/l	
	TPH (Motor Oil)	ND	0.20	mg/l	

CAS No.	Surrogate Recoveries	Run# 1	Run# 2	Limits
630-01-3	Hexacosane	68%		45-140%

ND = Not detected  
 RL = Reporting Limit  
 E = Indicates value exceeds calibration range

J = Indicates an estimated value  
 B = Indicates analyte found in associated method blank  
 N = Indicates presumptive evidence of a compound

## Report of Analysis

<b>Client Sample ID:</b> MW-14	<b>Date Sampled:</b> 02/23/12
<b>Lab Sample ID:</b> C20562-4	<b>Date Received:</b> 02/27/12
<b>Matrix:</b> AQ - Ground Water	<b>Percent Solids:</b> n/a
<b>Method:</b> SW846 8260B	
<b>Project:</b> T0600118672-AC Transit, Emeryville, CA	

Run #	File ID	DF	Analyzed	By	Prep Date	Prep Batch	Analytical Batch
Run #1	Q7288.D	1	03/05/12	TN	n/a	n/a	VQ269
Run #2							

Run #	Purge Volume
Run #1	10.0 ml
Run #2	

### Purgeable Aromatics, MTBE

CAS No.	Compound	Result	RL	Units	Q
71-43-2	Benzene	ND	1.0	ug/l	
108-88-3	Toluene	ND	1.0	ug/l	
100-41-4	Ethylbenzene	ND	1.0	ug/l	
1330-20-7	Xylene (total)	ND	2.0	ug/l	
1634-04-4	Methyl Tert Butyl Ether	8.6	1.0	ug/l	
	TPH-GRO (C6-C10)	ND	50	ug/l	

CAS No.	Surrogate Recoveries	Run# 1	Run# 2	Limits
1868-53-7	Dibromofluoromethane	93%		60-130%
2037-26-5	Toluene-D8	100%		60-130%
460-00-4	4-Bromofluorobenzene	95%		60-130%

ND = Not detected  
 RL = Reporting Limit  
 E = Indicates value exceeds calibration range

J = Indicates an estimated value  
 B = Indicates analyte found in associated method blank  
 N = Indicates presumptive evidence of a compound

## Report of Analysis

<b>Client Sample ID:</b> MW-14	<b>Date Sampled:</b> 02/23/12
<b>Lab Sample ID:</b> C20562-4	<b>Date Received:</b> 02/27/12
<b>Matrix:</b> AQ - Ground Water	<b>Percent Solids:</b> n/a
<b>Method:</b> SW846 8015B M SW846 3510C	
<b>Project:</b> T0600118672-AC Transit, Emeryville, CA	

Run #	File ID	DF	Analyzed	By	Prep Date	Prep Batch	Analytical Batch
Run #1	GG32307.D	1	02/29/12	JH	02/28/12	OP5475	GGG864
Run #2							

Run #	Initial Volume	Final Volume
Run #1	1000 ml	1.0 ml
Run #2		

**TPH Extractable w/ Silica Gel Cleanup**

CAS No.	Compound	Result	RL	Units	Q
	TPH (Diesel)	ND	0.10	mg/l	
	TPH (Motor Oil)	ND	0.20	mg/l	

CAS No.	Surrogate Recoveries	Run# 1	Run# 2	Limits
630-01-3	Hexacosane	57%		45-140%

ND = Not detected  
 RL = Reporting Limit  
 E = Indicates value exceeds calibration range

J = Indicates an estimated value  
 B = Indicates analyte found in associated method blank  
 N = Indicates presumptive evidence of a compound

# Report of Analysis

<b>Client Sample ID:</b> MW-11		<b>Date Sampled:</b> 02/23/12
<b>Lab Sample ID:</b> C20562-5		<b>Date Received:</b> 02/27/12
<b>Matrix:</b> AQ - Ground Water		<b>Percent Solids:</b> n/a
<b>Method:</b> SW846 8260B		
<b>Project:</b> T0600118672-AC Transit, Emeryville, CA		

Run #	File ID	DF	Analyzed	By	Prep Date	Prep Batch	Analytical Batch
Run #1	Q7289.D	1	03/05/12	TN	n/a	n/a	VQ269
Run #2							

Run #	Purge Volume
Run #1	10.0 ml
Run #2	

**Purgeable Aromatics, MTBE**

CAS No.	Compound	Result	RL	Units	Q
71-43-2	Benzene	ND	1.0	ug/l	
108-88-3	Toluene	ND	1.0	ug/l	
100-41-4	Ethylbenzene	ND	1.0	ug/l	
1330-20-7	Xylene (total)	ND	2.0	ug/l	
1634-04-4	Methyl Tert Butyl Ether	ND	1.0	ug/l	
	TPH-GRO (C6-C10)	ND	50	ug/l	

CAS No.	Surrogate Recoveries	Run# 1	Run# 2	Limits
1868-53-7	Dibromofluoromethane	100%		60-130%
2037-26-5	Toluene-D8	99%		60-130%
460-00-4	4-Bromofluorobenzene	92%		60-130%

ND = Not detected  
 RL = Reporting Limit  
 E = Indicates value exceeds calibration range

J = Indicates an estimated value  
 B = Indicates analyte found in associated method blank  
 N = Indicates presumptive evidence of a compound

## Report of Analysis

<b>Client Sample ID:</b> MW-11	<b>Date Sampled:</b> 02/23/12
<b>Lab Sample ID:</b> C20562-5	<b>Date Received:</b> 02/27/12
<b>Matrix:</b> AQ - Ground Water	<b>Percent Solids:</b> n/a
<b>Method:</b> SW846 8015B M SW846 3510C	
<b>Project:</b> T0600118672-AC Transit, Emeryville, CA	

Run #	File ID	DF	Analyzed	By	Prep Date	Prep Batch	Analytical Batch
Run #1	GG32308.D	1	02/29/12	JH	02/28/12	OP5475	GGG864
Run #2							

Run #	Initial Volume	Final Volume
Run #1	1000 ml	1.0 ml
Run #2		

### TPH Extractable w/ Silica Gel Cleanup

CAS No.	Compound	Result	RL	Units	Q
	TPH (Diesel)	ND	0.10	mg/l	
	TPH (Motor Oil)	ND	0.20	mg/l	

CAS No.	Surrogate Recoveries	Run# 1	Run# 2	Limits
630-01-3	Hexacosane	70%		45-140%

ND = Not detected  
 RL = Reporting Limit  
 E = Indicates value exceeds calibration range

J = Indicates an estimated value  
 B = Indicates analyte found in associated method blank  
 N = Indicates presumptive evidence of a compound

# Report of Analysis

<b>Client Sample ID:</b> MW-9		<b>Date Sampled:</b> 02/24/12
<b>Lab Sample ID:</b> C20562-6		<b>Date Received:</b> 02/27/12
<b>Matrix:</b> AQ - Ground Water		<b>Percent Solids:</b> n/a
<b>Method:</b> SW846 8260B		
<b>Project:</b> T0600118672-AC Transit, Emeryville, CA		

Run #	File ID	DF	Analyzed	By	Prep Date	Prep Batch	Analytical Batch
Run #1	Q7314.D	1	03/06/12	TN	n/a	n/a	VQ270
Run #2							

Run #	Purge Volume
Run #1	10.0 ml
Run #2	

**Purgeable Aromatics, MTBE**

CAS No.	Compound	Result	RL	Units	Q
71-43-2	Benzene	ND	1.0	ug/l	
108-88-3	Toluene	ND	1.0	ug/l	
100-41-4	Ethylbenzene	ND	1.0	ug/l	
1330-20-7	Xylene (total)	ND	2.0	ug/l	
1634-04-4	Methyl Tert Butyl Ether	1.9	1.0	ug/l	
	TPH-GRO (C6-C10)	ND	50	ug/l	

CAS No.	Surrogate Recoveries	Run# 1	Run# 2	Limits
1868-53-7	Dibromofluoromethane	103%		60-130%
2037-26-5	Toluene-D8	100%		60-130%
460-00-4	4-Bromofluorobenzene	98%		60-130%

ND = Not detected  
 RL = Reporting Limit  
 E = Indicates value exceeds calibration range

J = Indicates an estimated value  
 B = Indicates analyte found in associated method blank  
 N = Indicates presumptive evidence of a compound

## Report of Analysis

3.6  
3

<b>Client Sample ID:</b> MW-9	<b>Date Sampled:</b> 02/24/12
<b>Lab Sample ID:</b> C20562-6	<b>Date Received:</b> 02/27/12
<b>Matrix:</b> AQ - Ground Water	<b>Percent Solids:</b> n/a
<b>Method:</b> SW846 8015B M SW846 3510C	
<b>Project:</b> T0600118672-AC Transit, Emeryville, CA	

Run #	File ID	DF	Analyzed	By	Prep Date	Prep Batch	Analytical Batch
Run #1	GG32285.D	1	02/29/12	JH	02/28/12	OP5475	GGG864
Run #2							

Run #	Initial Volume	Final Volume
Run #1	1000 ml	1.0 ml
Run #2		

**TPH Extractable w/ Silica Gel Cleanup**

CAS No.	Compound	Result	RL	Units	Q
	TPH (Diesel)	ND	0.10	mg/l	
	TPH (Motor Oil)	1.01	0.20	mg/l	

CAS No.	Surrogate Recoveries	Run# 1	Run# 2	Limits
630-01-3	Hexacosane	74%		45-140%

ND = Not detected  
 RL = Reporting Limit  
 E = Indicates value exceeds calibration range

J = Indicates an estimated value  
 B = Indicates analyte found in associated method blank  
 N = Indicates presumptive evidence of a compound

# Report of Analysis

<b>Client Sample ID:</b> MW-8		<b>Date Sampled:</b> 02/24/12
<b>Lab Sample ID:</b> C20562-7		<b>Date Received:</b> 02/27/12
<b>Matrix:</b> AQ - Ground Water		<b>Percent Solids:</b> n/a
<b>Method:</b> SW846 8260B		
<b>Project:</b> T0600118672-AC Transit, Emeryville, CA		

Run #	File ID	DF	Analyzed	By	Prep Date	Prep Batch	Analytical Batch
Run #1	Q7315.D	1	03/06/12	TN	n/a	n/a	VQ270
Run #2							

Run #	Purge Volume
Run #1	10.0 ml
Run #2	

**Purgeable Aromatics, MTBE**

CAS No.	Compound	Result	RL	Units	Q
71-43-2	Benzene	ND	1.0	ug/l	
108-88-3	Toluene	ND	1.0	ug/l	
100-41-4	Ethylbenzene	ND	1.0	ug/l	
1330-20-7	Xylene (total)	ND	2.0	ug/l	
1634-04-4	Methyl Tert Butyl Ether	ND	1.0	ug/l	
	TPH-GRO (C6-C10)	106	50	ug/l	

CAS No.	Surrogate Recoveries	Run# 1	Run# 2	Limits
1868-53-7	Dibromofluoromethane	90%		60-130%
2037-26-5	Toluene-D8	105%		60-130%
460-00-4	4-Bromofluorobenzene	108%		60-130%

ND = Not detected  
 RL = Reporting Limit  
 E = Indicates value exceeds calibration range

J = Indicates an estimated value  
 B = Indicates analyte found in associated method blank  
 N = Indicates presumptive evidence of a compound



## Report of Analysis

<b>Client Sample ID:</b> MW-8	<b>Date Sampled:</b> 02/24/12
<b>Lab Sample ID:</b> C20562-7	<b>Date Received:</b> 02/27/12
<b>Matrix:</b> AQ - Ground Water	<b>Percent Solids:</b> n/a
<b>Method:</b> SW846 8015B M SW846 3510C	
<b>Project:</b> T0600118672-AC Transit, Emeryville, CA	

Run #	File ID	DF	Analyzed	By	Prep Date	Prep Batch	Analytical Batch
Run #1	GG32286.D	1	02/29/12	JH	02/28/12	OP5475	GGG864
Run #2							

Run #	Initial Volume	Final Volume
Run #1	1000 ml	1.0 ml
Run #2		

**TPH Extractable w/ Silica Gel Cleanup**

CAS No.	Compound	Result	RL	Units	Q
	TPH (Diesel)	ND	0.10	mg/l	
	TPH (Motor Oil)	ND	0.20	mg/l	

CAS No.	Surrogate Recoveries	Run# 1	Run# 2	Limits
630-01-3	Hexacosane	64%		45-140%

ND = Not detected  
 RL = Reporting Limit  
 E = Indicates value exceeds calibration range

J = Indicates an estimated value  
 B = Indicates analyte found in associated method blank  
 N = Indicates presumptive evidence of a compound

# Report of Analysis

<b>Client Sample ID:</b> MW-7		<b>Date Sampled:</b> 02/24/12
<b>Lab Sample ID:</b> C20562-8		<b>Date Received:</b> 02/27/12
<b>Matrix:</b> AQ - Ground Water		<b>Percent Solids:</b> n/a
<b>Method:</b> SW846 8260B		
<b>Project:</b> T0600118672-AC Transit, Emeryville, CA		

Run #	File ID	DF	Analyzed	By	Prep Date	Prep Batch	Analytical Batch
Run #1	Q7316.D	1	03/06/12	TN	n/a	n/a	VQ270
Run #2							

Run #	Purge Volume
Run #1	10.0 ml
Run #2	

**Purgeable Aromatics, MTBE**

CAS No.	Compound	Result	RL	Units	Q
71-43-2	Benzene	ND	1.0	ug/l	
108-88-3	Toluene	ND	1.0	ug/l	
100-41-4	Ethylbenzene	ND	1.0	ug/l	
1330-20-7	Xylene (total)	ND	2.0	ug/l	
1634-04-4	Methyl Tert Butyl Ether	ND	1.0	ug/l	
	TPH-GRO (C6-C10)	288	50	ug/l	

CAS No.	Surrogate Recoveries	Run# 1	Run# 2	Limits
1868-53-7	Dibromofluoromethane	89%		60-130%
2037-26-5	Toluene-D8	106%		60-130%
460-00-4	4-Bromofluorobenzene	128%		60-130%

ND = Not detected  
 RL = Reporting Limit  
 E = Indicates value exceeds calibration range

J = Indicates an estimated value  
 B = Indicates analyte found in associated method blank  
 N = Indicates presumptive evidence of a compound

## Report of Analysis

<b>Client Sample ID:</b> MW-7	<b>Date Sampled:</b> 02/24/12
<b>Lab Sample ID:</b> C20562-8	<b>Date Received:</b> 02/27/12
<b>Matrix:</b> AQ - Ground Water	<b>Percent Solids:</b> n/a
<b>Method:</b> SW846 8015B M SW846 3510C	
<b>Project:</b> T0600118672-AC Transit, Emeryville, CA	

Run #	File ID	DF	Analyzed	By	Prep Date	Prep Batch	Analytical Batch
Run #1	GG32287.D	1	02/29/12	JH	02/28/12	OP5475	GGG864
Run #2							

Run #	Initial Volume	Final Volume
Run #1	1000 ml	1.0 ml
Run #2		

**TPH Extractable w/ Silica Gel Cleanup**

CAS No.	Compound	Result	RL	Units	Q
	TPH (Diesel) <sup>a</sup>	0.121	0.10	mg/l	
	TPH (Motor Oil)	ND	0.20	mg/l	

CAS No.	Surrogate Recoveries	Run# 1	Run# 2	Limits
630-01-3	Hexacosane	55%		45-140%

(a) Higher boiling gasoline compounds mixed with multiple discrete peaks in Diesel range.

ND = Not detected  
 RL = Reporting Limit  
 E = Indicates value exceeds calibration range

J = Indicates an estimated value  
 B = Indicates analyte found in associated method blank  
 N = Indicates presumptive evidence of a compound

# Report of Analysis

<b>Client Sample ID:</b> MW-12		<b>Date Sampled:</b> 02/24/12
<b>Lab Sample ID:</b> C20562-9		<b>Date Received:</b> 02/27/12
<b>Matrix:</b> AQ - Ground Water		<b>Percent Solids:</b> n/a
<b>Method:</b> SW846 8260B		
<b>Project:</b> T0600118672-AC Transit, Emeryville, CA		

Run #	File ID	DF	Analyzed	By	Prep Date	Prep Batch	Analytical Batch
Run #1	Q7317.D	1	03/06/12	TN	n/a	n/a	VQ270
Run #2							

Run #	Purge Volume
Run #1	10.0 ml
Run #2	

**Purgeable Aromatics, MTBE**

CAS No.	Compound	Result	RL	Units	Q
71-43-2	Benzene	ND	1.0	ug/l	
108-88-3	Toluene	ND	1.0	ug/l	
100-41-4	Ethylbenzene	ND	1.0	ug/l	
1330-20-7	Xylene (total)	ND	2.0	ug/l	
1634-04-4	Methyl Tert Butyl Ether	8.4	1.0	ug/l	
	TPH-GRO (C6-C10)	ND	50	ug/l	

CAS No.	Surrogate Recoveries	Run# 1	Run# 2	Limits
1868-53-7	Dibromofluoromethane	91%		60-130%
2037-26-5	Toluene-D8	106%		60-130%
460-00-4	4-Bromofluorobenzene	95%		60-130%

ND = Not detected  
 RL = Reporting Limit  
 E = Indicates value exceeds calibration range

J = Indicates an estimated value  
 B = Indicates analyte found in associated method blank  
 N = Indicates presumptive evidence of a compound

## Report of Analysis

3.9  
3

<b>Client Sample ID:</b> MW-12	<b>Date Sampled:</b> 02/24/12
<b>Lab Sample ID:</b> C20562-9	<b>Date Received:</b> 02/27/12
<b>Matrix:</b> AQ - Ground Water	<b>Percent Solids:</b> n/a
<b>Method:</b> SW846 8015B M SW846 3510C	
<b>Project:</b> T0600118672-AC Transit, Emeryville, CA	

Run #	File ID	DF	Analyzed	By	Prep Date	Prep Batch	Analytical Batch
Run #1	GG32289.D	1	02/29/12	JH	02/28/12	OP5475	GGG864
Run #2							

Run #	Initial Volume	Final Volume
Run #1	990 ml	1.0 ml
Run #2		

### TPH Extractable w/ Silica Gel Cleanup

CAS No.	Compound	Result	RL	Units	Q
	TPH (Diesel)	ND	0.10	mg/l	
	TPH (Motor Oil)	ND	0.20	mg/l	

CAS No.	Surrogate Recoveries	Run# 1	Run# 2	Limits
630-01-3	Hexacosane	59%		45-140%

ND = Not detected

RL = Reporting Limit

E = Indicates value exceeds calibration range

J = Indicates an estimated value

B = Indicates analyte found in associated method blank

N = Indicates presumptive evidence of a compound

# Report of Analysis

<b>Client Sample ID:</b> MW-6	<b>Date Sampled:</b> 02/23/12
<b>Lab Sample ID:</b> C20562-10	<b>Date Received:</b> 02/27/12
<b>Matrix:</b> AQ - Ground Water	<b>Percent Solids:</b> n/a
<b>Method:</b> SW846 8260B	
<b>Project:</b> T0600118672-AC Transit, Emeryville, CA	

Run #	File ID	DF	Analyzed	By	Prep Date	Prep Batch	Analytical Batch
Run #1	Q7320.D	5	03/06/12	TN	n/a	n/a	VQ270
Run #2							

Run #	Purge Volume
Run #1	10.0 ml
Run #2	

### Purgeable Aromatics, MTBE

CAS No.	Compound	Result	RL	Units	Q
71-43-2	Benzene	29.8	5.0	ug/l	
108-88-3	Toluene	ND	5.0	ug/l	
100-41-4	Ethylbenzene	5.3	5.0	ug/l	
1330-20-7	Xylene (total)	ND	10	ug/l	
1634-04-4	Methyl Tert Butyl Ether	ND	5.0	ug/l	
	TPH-GRO (C6-C10)	1770	250	ug/l	

CAS No.	Surrogate Recoveries	Run# 1	Run# 2	Limits
1868-53-7	Dibromofluoromethane	92%		60-130%
2037-26-5	Toluene-D8	100%		60-130%
460-00-4	4-Bromofluorobenzene	107%		60-130%

ND = Not detected  
 RL = Reporting Limit  
 E = Indicates value exceeds calibration range

J = Indicates an estimated value  
 B = Indicates analyte found in associated method blank  
 N = Indicates presumptive evidence of a compound

## Report of Analysis

<b>Client Sample ID:</b> MW-6	<b>Date Sampled:</b> 02/23/12
<b>Lab Sample ID:</b> C20562-10	<b>Date Received:</b> 02/27/12
<b>Matrix:</b> AQ - Ground Water	<b>Percent Solids:</b> n/a
<b>Method:</b> SW846 8015B M SW846 3510C	
<b>Project:</b> T0600118672-AC Transit, Emeryville, CA	

Run #	File ID	DF	Analyzed	By	Prep Date	Prep Batch	Analytical Batch
Run #1	GG32385.D	10	03/03/12	JH	02/28/12	OP5475	GGG866
Run #2							

Run #	Initial Volume	Final Volume
Run #1	1000 ml	1.0 ml
Run #2		

### TPH Extractable w/ Silica Gel Cleanup

CAS No.	Compound	Result	RL	Units	Q
	TPH (Diesel) <sup>a</sup>	12.1	1.0	mg/l	
	TPH (Motor Oil)	ND	2.0	mg/l	

CAS No.	Surrogate Recoveries	Run# 1	Run# 2	Limits
630-01-3	Hexacosane	82%		45-140%

(a) Diesel mixed with higher boiling gasoline compounds.

ND = Not detected

RL = Reporting Limit

E = Indicates value exceeds calibration range

J = Indicates an estimated value

B = Indicates analyte found in associated method blank

N = Indicates presumptive evidence of a compound

## Report of Analysis

<b>Client Sample ID:</b> MW-1	<b>Date Sampled:</b> 02/23/12
<b>Lab Sample ID:</b> C20562-11	<b>Date Received:</b> 02/27/12
<b>Matrix:</b> AQ - Ground Water	<b>Percent Solids:</b> n/a
<b>Method:</b> SW846 8260B	
<b>Project:</b> T0600118672-AC Transit, Emeryville, CA	

Run #	File ID	DF	Analyzed	By	Prep Date	Prep Batch	Analytical Batch
Run #1	Q7290.D	1	03/05/12	TN	n/a	n/a	VQ269
Run #2							

Run #	Purge Volume
Run #1	10.0 ml
Run #2	

**Purgeable Aromatics, MTBE**

CAS No.	Compound	Result	RL	Units	Q
71-43-2	Benzene	ND	1.0	ug/l	
108-88-3	Toluene	ND	1.0	ug/l	
100-41-4	Ethylbenzene	ND	1.0	ug/l	
1330-20-7	Xylene (total)	ND	2.0	ug/l	
1634-04-4	Methyl Tert Butyl Ether	1.1	1.0	ug/l	
	TPH-GRO (C6-C10)	ND	50	ug/l	

CAS No.	Surrogate Recoveries	Run# 1	Run# 2	Limits
1868-53-7	Dibromofluoromethane	103%		60-130%
2037-26-5	Toluene-D8	101%		60-130%
460-00-4	4-Bromofluorobenzene	98%		60-130%

ND = Not detected  
 RL = Reporting Limit  
 E = Indicates value exceeds calibration range

J = Indicates an estimated value  
 B = Indicates analyte found in associated method blank  
 N = Indicates presumptive evidence of a compound



## Report of Analysis

<b>Client Sample ID:</b> MW-1	<b>Date Sampled:</b> 02/23/12
<b>Lab Sample ID:</b> C20562-11	<b>Date Received:</b> 02/27/12
<b>Matrix:</b> AQ - Ground Water	<b>Percent Solids:</b> n/a
<b>Method:</b> SW846 8015B M SW846 3510C	
<b>Project:</b> T0600118672-AC Transit, Emeryville, CA	

Run #	File ID	DF	Analyzed	By	Prep Date	Prep Batch	Analytical Batch
Run #1	GG32291.D	1	02/29/12	JH	02/28/12	OP5475	GGG864
Run #2							

Run #	Initial Volume	Final Volume
Run #1	1000 ml	1.0 ml
Run #2		

### TPH Extractable w/ Silica Gel Cleanup

CAS No.	Compound	Result	RL	Units	Q
	TPH (Diesel)	ND	0.10	mg/l	
	TPH (Motor Oil)	ND	0.20	mg/l	

CAS No.	Surrogate Recoveries	Run# 1	Run# 2	Limits
630-01-3	Hexacosane	52%		45-140%

ND = Not detected  
 RL = Reporting Limit  
 E = Indicates value exceeds calibration range

J = Indicates an estimated value  
 B = Indicates analyte found in associated method blank  
 N = Indicates presumptive evidence of a compound

# Report of Analysis

<b>Client Sample ID:</b> MW-3		<b>Date Sampled:</b> 02/23/12
<b>Lab Sample ID:</b> C20562-12		<b>Date Received:</b> 02/27/12
<b>Matrix:</b> AQ - Ground Water		<b>Percent Solids:</b> n/a
<b>Method:</b> SW846 8260B		
<b>Project:</b> T0600118672-AC Transit, Emeryville, CA		

Run #	File ID	DF	Analyzed	By	Prep Date	Prep Batch	Analytical Batch
Run #1	Q7291.D	1	03/05/12	TN	n/a	n/a	VQ269
Run #2							

Run #	Purge Volume
Run #1	10.0 ml
Run #2	

**Purgeable Aromatics, MTBE**

CAS No.	Compound	Result	RL	Units	Q
71-43-2	Benzene	ND	1.0	ug/l	
108-88-3	Toluene	ND	1.0	ug/l	
100-41-4	Ethylbenzene	ND	1.0	ug/l	
1330-20-7	Xylene (total)	ND	2.0	ug/l	
1634-04-4	Methyl Tert Butyl Ether	ND	1.0	ug/l	
	TPH-GRO (C6-C10)	ND	50	ug/l	

CAS No.	Surrogate Recoveries	Run# 1	Run# 2	Limits
1868-53-7	Dibromofluoromethane	99%		60-130%
2037-26-5	Toluene-D8	101%		60-130%
460-00-4	4-Bromofluorobenzene	96%		60-130%

ND = Not detected  
 RL = Reporting Limit  
 E = Indicates value exceeds calibration range

J = Indicates an estimated value  
 B = Indicates analyte found in associated method blank  
 N = Indicates presumptive evidence of a compound

## Report of Analysis

<b>Client Sample ID:</b> MW-3	<b>Date Sampled:</b> 02/23/12
<b>Lab Sample ID:</b> C20562-12	<b>Date Received:</b> 02/27/12
<b>Matrix:</b> AQ - Ground Water	<b>Percent Solids:</b> n/a
<b>Method:</b> SW846 8015B M SW846 3510C	
<b>Project:</b> T0600118672-AC Transit, Emeryville, CA	

Run #	File ID	DF	Analyzed	By	Prep Date	Prep Batch	Analytical Batch
Run #1	GG32292.D	1	02/29/12	JH	02/28/12	OP5475	GGG864
Run #2							

Run #	Initial Volume	Final Volume
Run #1	1000 ml	1.0 ml
Run #2		

### TPH Extractable w/ Silica Gel Cleanup

CAS No.	Compound	Result	RL	Units	Q
	TPH (Diesel)	ND	0.10	mg/l	
	TPH (Motor Oil) <sup>a</sup>	0.439	0.20	mg/l	

CAS No.	Surrogate Recoveries	Run# 1	Run# 2	Limits
630-01-3	Hexacosane	76%		45-140%

(a) Motor oil mixed with multiple discrete peaks .

ND = Not detected  
 RL = Reporting Limit  
 E = Indicates value exceeds calibration range

J = Indicates an estimated value  
 B = Indicates analyte found in associated method blank  
 N = Indicates presumptive evidence of a compound

## Report of Analysis

<b>Client Sample ID:</b> MW-4		<b>Date Sampled:</b> 02/23/12
<b>Lab Sample ID:</b> C20562-13		<b>Date Received:</b> 02/27/12
<b>Matrix:</b> AQ - Ground Water		<b>Percent Solids:</b> n/a
<b>Method:</b> SW846 8260B		
<b>Project:</b> T0600118672-AC Transit, Emeryville, CA		

Run #	File ID	DF	Analyzed	By	Prep Date	Prep Batch	Analytical Batch
Run #1	Q7292.D	1	03/05/12	TN	n/a	n/a	VQ269
Run #2							

Run #	Purge Volume
Run #1	10.0 ml
Run #2	

## Purgeable Aromatics, MTBE

CAS No.	Compound	Result	RL	Units	Q
71-43-2	Benzene	ND	1.0	ug/l	
108-88-3	Toluene	ND	1.0	ug/l	
100-41-4	Ethylbenzene	ND	1.0	ug/l	
1330-20-7	Xylene (total)	ND	2.0	ug/l	
1634-04-4	Methyl Tert Butyl Ether	ND	1.0	ug/l	
	TPH-GRO (C6-C10)	ND	50	ug/l	

CAS No.	Surrogate Recoveries	Run# 1	Run# 2	Limits
1868-53-7	Dibromofluoromethane	103%		60-130%
2037-26-5	Toluene-D8	102%		60-130%
460-00-4	4-Bromofluorobenzene	98%		60-130%

ND = Not detected

RL = Reporting Limit

E = Indicates value exceeds calibration range

J = Indicates an estimated value

B = Indicates analyte found in associated method blank

N = Indicates presumptive evidence of a compound

## Report of Analysis

<b>Client Sample ID:</b> MW-4	<b>Date Sampled:</b> 02/23/12
<b>Lab Sample ID:</b> C20562-13	<b>Date Received:</b> 02/27/12
<b>Matrix:</b> AQ - Ground Water	<b>Percent Solids:</b> n/a
<b>Method:</b> SW846 8015B M SW846 3510C	
<b>Project:</b> T0600118672-AC Transit, Emeryville, CA	

Run #	File ID	DF	Analyzed	By	Prep Date	Prep Batch	Analytical Batch
Run #1	GG32293.D	1	02/29/12	JH	02/28/12	OP5475	GGG864
Run #2							

Run #	Initial Volume	Final Volume
Run #1	1000 ml	1.0 ml
Run #2		

### TPH Extractable w/ Silica Gel Cleanup

CAS No.	Compound	Result	RL	Units	Q
	TPH (Diesel)	ND	0.10	mg/l	
	TPH (Motor Oil)	ND	0.20	mg/l	

CAS No.	Surrogate Recoveries	Run# 1	Run# 2	Limits
630-01-3	Hexacosane	77%		45-140%

ND = Not detected  
 RL = Reporting Limit  
 E = Indicates value exceeds calibration range

J = Indicates an estimated value  
 B = Indicates analyte found in associated method blank  
 N = Indicates presumptive evidence of a compound

# Report of Analysis

<b>Client Sample ID:</b> MW-5		<b>Date Sampled:</b> 02/23/12
<b>Lab Sample ID:</b> C20562-14		<b>Date Received:</b> 02/27/12
<b>Matrix:</b> AQ - Ground Water		<b>Percent Solids:</b> n/a
<b>Method:</b> SW846 8260B		
<b>Project:</b> T0600118672-AC Transit, Emeryville, CA		

Run #	File ID	DF	Analyzed	By	Prep Date	Prep Batch	Analytical Batch
Run #1	Q7293.D	1	03/05/12	TN	n/a	n/a	VQ269
Run #2							

Run #	Purge Volume
Run #1	10.0 ml
Run #2	

**Purgeable Aromatics, MTBE**

CAS No.	Compound	Result	RL	Units	Q
71-43-2	Benzene	ND	1.0	ug/l	
108-88-3	Toluene	ND	1.0	ug/l	
100-41-4	Ethylbenzene	ND	1.0	ug/l	
1330-20-7	Xylene (total)	ND	2.0	ug/l	
1634-04-4	Methyl Tert Butyl Ether	1.4	1.0	ug/l	
	TPH-GRO (C6-C10)	ND	50	ug/l	

CAS No.	Surrogate Recoveries	Run# 1	Run# 2	Limits
1868-53-7	Dibromofluoromethane	103%		60-130%
2037-26-5	Toluene-D8	102%		60-130%
460-00-4	4-Bromofluorobenzene	102%		60-130%

ND = Not detected  
 RL = Reporting Limit  
 E = Indicates value exceeds calibration range

J = Indicates an estimated value  
 B = Indicates analyte found in associated method blank  
 N = Indicates presumptive evidence of a compound

## Report of Analysis

<b>Client Sample ID:</b> MW-5	<b>Date Sampled:</b> 02/23/12
<b>Lab Sample ID:</b> C20562-14	<b>Date Received:</b> 02/27/12
<b>Matrix:</b> AQ - Ground Water	<b>Percent Solids:</b> n/a
<b>Method:</b> SW846 8015B M SW846 3510C	
<b>Project:</b> T0600118672-AC Transit, Emeryville, CA	

Run #	File ID	DF	Analyzed	By	Prep Date	Prep Batch	Analytical Batch
Run #1	GG32294.D	1	02/29/12	JH	02/28/12	OP5475	GGG864
Run #2							

Run #	Initial Volume	Final Volume
Run #1	1000 ml	1.0 ml
Run #2		

### TPH Extractable w/ Silica Gel Cleanup

CAS No.	Compound	Result	RL	Units	Q
	TPH (Diesel)	ND	0.10	mg/l	
	TPH (Motor Oil) <sup>a</sup>	0.208	0.20	mg/l	

CAS No.	Surrogate Recoveries	Run# 1	Run# 2	Limits
630-01-3	Hexacosane	69%		45-140%

(a) Motor oil mixed with multiple discrete peaks .

ND = Not detected

RL = Reporting Limit

E = Indicates value exceeds calibration range

J = Indicates an estimated value

B = Indicates analyte found in associated method blank

N = Indicates presumptive evidence of a compound

# Report of Analysis

<b>Client Sample ID:</b> MW-2		<b>Date Sampled:</b> 02/24/12
<b>Lab Sample ID:</b> C20562-15		<b>Date Received:</b> 02/27/12
<b>Matrix:</b> AQ - Ground Water		<b>Percent Solids:</b> n/a
<b>Method:</b> SW846 8260B		
<b>Project:</b> T0600118672-AC Transit, Emeryville, CA		

Run #	File ID	DF	Analyzed	By	Prep Date	Prep Batch	Analytical Batch
Run #1	Q7318.D	1	03/06/12	TN	n/a	n/a	VQ270
Run #2							

Run #	Purge Volume
Run #1	10.0 ml
Run #2	

**Purgeable Aromatics, MTBE**

CAS No.	Compound	Result	RL	Units	Q
71-43-2	Benzene	ND	1.0	ug/l	
108-88-3	Toluene	ND	1.0	ug/l	
100-41-4	Ethylbenzene	ND	1.0	ug/l	
1330-20-7	Xylene (total)	ND	2.0	ug/l	
1634-04-4	Methyl Tert Butyl Ether	1.5	1.0	ug/l	
	TPH-GRO (C6-C10)	ND	50	ug/l	

CAS No.	Surrogate Recoveries	Run# 1	Run# 2	Limits
1868-53-7	Dibromofluoromethane	92%		60-130%
2037-26-5	Toluene-D8	105%		60-130%
460-00-4	4-Bromofluorobenzene	93%		60-130%

ND = Not detected  
 RL = Reporting Limit  
 E = Indicates value exceeds calibration range

J = Indicates an estimated value  
 B = Indicates analyte found in associated method blank  
 N = Indicates presumptive evidence of a compound



## Report of Analysis

<b>Client Sample ID:</b> MW-2	<b>Date Sampled:</b> 02/24/12
<b>Lab Sample ID:</b> C20562-15	<b>Date Received:</b> 02/27/12
<b>Matrix:</b> AQ - Ground Water	<b>Percent Solids:</b> n/a
<b>Method:</b> SW846 8015B M SW846 3510C	
<b>Project:</b> T0600118672-AC Transit, Emeryville, CA	

Run #	File ID	DF	Analyzed	By	Prep Date	Prep Batch	Analytical Batch
Run #1	GG32295.D	1	02/29/12	JH	02/28/12	OP5475	GGG864
Run #2							

Run #	Initial Volume	Final Volume
Run #1	1000 ml	1.0 ml
Run #2		

### TPH Extractable w/ Silica Gel Cleanup

CAS No.	Compound	Result	RL	Units	Q
	TPH (Diesel)	ND	0.10	mg/l	
	TPH (Motor Oil) <sup>a</sup>	0.427	0.20	mg/l	

CAS No.	Surrogate Recoveries	Run# 1	Run# 2	Limits
630-01-3	Hexacosane	71%		45-140%

(a) Motor oil mixed with multiple discrete peaks .

ND = Not detected  
 RL = Reporting Limit  
 E = Indicates value exceeds calibration range

J = Indicates an estimated value  
 B = Indicates analyte found in associated method blank  
 N = Indicates presumptive evidence of a compound

# Report of Analysis

<b>Client Sample ID:</b> W-1		<b>Date Sampled:</b> 02/24/12
<b>Lab Sample ID:</b> C20562-16		<b>Date Received:</b> 02/27/12
<b>Matrix:</b> AQ - Ground Water		<b>Percent Solids:</b> n/a
<b>Method:</b> SW846 8260B		
<b>Project:</b> T0600118672-AC Transit, Emeryville, CA		

Run #	File ID	DF	Analyzed	By	Prep Date	Prep Batch	Analytical Batch
Run #1	Q7321.D	5	03/06/12	TN	n/a	n/a	VQ270
Run #2	Q7351.D	10	03/07/12	TN	n/a	n/a	VQ271

Run #	Purge Volume
Run #1	10.0 ml
Run #2	10.0 ml

### Purgeable Aromatics, MTBE

CAS No.	Compound	Result	RL	Units	Q
71-43-2	Benzene	9.0	5.0	ug/l	
108-88-3	Toluene	ND	5.0	ug/l	
100-41-4	Ethylbenzene	6.2	5.0	ug/l	
1330-20-7	Xylene (total)	14.8	10	ug/l	
1634-04-4	Methyl Tert Butyl Ether	ND	5.0	ug/l	
	TPH-GRO (C6-C10)	4830 <sup>a</sup>	500	ug/l	

CAS No.	Surrogate Recoveries	Run# 1	Run# 2	Limits
1868-53-7	Dibromofluoromethane	91%	93%	60-130%
2037-26-5	Toluene-D8	100%	105%	60-130%
460-00-4	4-Bromofluorobenzene	124%	110%	60-130%

(a) Result is from Run# 2

ND = Not detected  
 RL = Reporting Limit  
 E = Indicates value exceeds calibration range

J = Indicates an estimated value  
 B = Indicates analyte found in associated method blank  
 N = Indicates presumptive evidence of a compound

# Report of Analysis

<b>Client Sample ID:</b> W-1		
<b>Lab Sample ID:</b> C20562-16		<b>Date Sampled:</b> 02/24/12
<b>Matrix:</b> AQ - Ground Water		<b>Date Received:</b> 02/27/12
<b>Method:</b> SW846 8015B M SW846 3510C		<b>Percent Solids:</b> n/a
<b>Project:</b> T0600118672-AC Transit, Emeryville, CA		

Run #	File ID	DF	Analyzed	By	Prep Date	Prep Batch	Analytical Batch
Run #1	GG32296.D	1	02/29/12	JH	02/28/12	OP5475	GGG864
Run #2							

Run #	Initial Volume	Final Volume
Run #1	1000 ml	1.0 ml
Run #2		

### TPH Extractable w/ Silica Gel Cleanup

CAS No.	Compound	Result	RL	Units	Q
	TPH (Diesel) <sup>a</sup>	0.985	0.10	mg/l	
	TPH (Motor Oil) <sup>b</sup>	0.939	0.20	mg/l	

CAS No.	Surrogate Recoveries	Run# 1	Run# 2	Limits
630-01-3	Hexacosane	79%		45-140%

- (a) Higher boiling gasoline compounds in Diesel range.
- (b) Motor oil mixed with multiple discrete peaks .

ND = Not detected  
 RL = Reporting Limit  
 E = Indicates value exceeds calibration range

J = Indicates an estimated value  
 B = Indicates analyte found in associated method blank  
 N = Indicates presumptive evidence of a compound

# Report of Analysis

<b>Client Sample ID:</b> MW-10	<b>Date Sampled:</b> 02/24/12
<b>Lab Sample ID:</b> C20562-17	<b>Date Received:</b> 02/27/12
<b>Matrix:</b> AQ - Ground Water	<b>Percent Solids:</b> n/a
<b>Method:</b> SW846 8260B	
<b>Project:</b> T0600118672-AC Transit, Emeryville, CA	

Run #	File ID	DF	Analyzed	By	Prep Date	Prep Batch	Analytical Batch
Run #1	Q7319.D	1	03/06/12	TN	n/a	n/a	VQ270
Run #2							

Run #	Purge Volume
Run #1	10.0 ml
Run #2	

### Purgeable Aromatics, MTBE

CAS No.	Compound	Result	RL	Units	Q
71-43-2	Benzene	ND	1.0	ug/l	
108-88-3	Toluene	ND	1.0	ug/l	
100-41-4	Ethylbenzene	ND	1.0	ug/l	
1330-20-7	Xylene (total)	ND	2.0	ug/l	
1634-04-4	Methyl Tert Butyl Ether	ND	1.0	ug/l	
	TPH-GRO (C6-C10)	163	50	ug/l	

CAS No.	Surrogate Recoveries	Run# 1	Run# 2	Limits
1868-53-7	Dibromofluoromethane	101%		60-130%
2037-26-5	Toluene-D8	97%		60-130%
460-00-4	4-Bromofluorobenzene	106%		60-130%

ND = Not detected  
 RL = Reporting Limit  
 E = Indicates value exceeds calibration range

J = Indicates an estimated value  
 B = Indicates analyte found in associated method blank  
 N = Indicates presumptive evidence of a compound

## Report of Analysis

<b>Client Sample ID:</b> MW-10	<b>Date Sampled:</b> 02/24/12
<b>Lab Sample ID:</b> C20562-17	<b>Date Received:</b> 02/27/12
<b>Matrix:</b> AQ - Ground Water	<b>Percent Solids:</b> n/a
<b>Method:</b> SW846 8015B M SW846 3510C	
<b>Project:</b> T0600118672-AC Transit, Emeryville, CA	

Run #	File ID	DF	Analyzed	By	Prep Date	Prep Batch	Analytical Batch
Run #1	GG32328.D	5	03/01/12	JH	02/28/12	OP5475	GGG864
Run #2							

Run #	Initial Volume	Final Volume
Run #1	1000 ml	1.0 ml
Run #2		

### TPH Extractable w/ Silica Gel Cleanup

CAS No.	Compound	Result	RL	Units	Q
	TPH (Diesel)	6.59	0.50	mg/l	
	TPH (Motor Oil)	ND	1.0	mg/l	

CAS No.	Surrogate Recoveries	Run# 1	Run# 2	Limits
630-01-3	Hexacosane	76%		45-140%

ND = Not detected  
 RL = Reporting Limit  
 E = Indicates value exceeds calibration range

J = Indicates an estimated value  
 B = Indicates analyte found in associated method blank  
 N = Indicates presumptive evidence of a compound

## Misc. Forms

---

### Custody Documents and Other Forms

---

Includes the following where applicable:

- Chain of Custody



CHAIN OF CUSTODY

2105 Lundy Ave, San Jose, CA 95131
(408) 588-0200 FAX: (408) 588-0201

FED-EX Tracking #
Bottle Order Control #
Accutest Quote #
Accutest NC Job #: C C20562

Client / Reporting Information
Project Information
Company Name: CAMERON-COLE, LLC
Project Name: AC Transit - Emeryville
Address: 50 HEGENBERGER LOOP
Street: 1177 47th Street
City: OAKLAND, CA 94621
City: Emeryville, CA
Project Contact: DENNIS BAKER
Project #: 2036-001/CCCAA1635
Phone #: 510-872-2156
EMAIL: dbaker@cameron-cole.com
Client Purchase Order #

Requested Analysis
Matrix Codes
WW- Wastewater
GW- Ground Water
SW- Surface Water
SO- Soil
OI- Oil
WP- Waste
LIQ- Non-aqueous Liquid
AIR
DW- Drinking Water
(Perchlorate Only)
LAB USE ONLY

Table with columns: Accutest Sample ID, Sample ID / Field Point / Point of Collection, Date, Time, Sampled by, Matrix, # of bottles, and various analysis codes (P, M, A, etc.). Rows 1-9 contain handwritten data for samples T0-01 through MW-12.

Table for analysis results, including columns for Matrix Codes and LAB USE ONLY. Contains handwritten notes: 'ETEX, MTRF, TPH-9', 'TAN - efflu by 80.15 m with Silicon Gel Cleanup', and circled '23'.

Turnaround Time ( Business days)
Data Deliverable Information
Comments / Remarks
Emergency T/A data available VIA Lablink
Standard TAT 15 Business Days
Commercial "A" - Results only
Commercial "B" - Results with QC summaries
FULTI - Level 4 data package
EDF for Geotracker
EDD Format
Provide EDF Global ID: T0600118672
Provide EDF Logcode:

Cooler #1 5.1 - 0.4 = 4.7°C
Cooler #2 4.1 - 0.4 = 3.7°C
Cooler #3 3.6 - 0.4 = 3.2°C

Sample Custody must be documented below each time samples change possession, including courier delivery.
Relinquished by: Dennis C. Baker
Received By: [Signature]
Date Time: 2/27/12 10:20
Relinquished By: [Signature]
Received By: [Signature]
Date Time: 02-27-12
Relinquished by: [Signature]
Received By: [Signature]
Date Time:
Relinquished By: [Signature]
Received By: [Signature]
Date Time:
Custody Seal #
Appropriate Bottle / Pres (Y/N)
Headspace (Y/N)
On Ice (Y/N)
Cooler Temp.
Labels match Coc (Y/N)
Separate Receiving Check List used (Y/N)
3-coolers
page 1 of 2



ACCUTEST®

LABORATORIES

CHAIN OF CUSTODY

2105 Lundy Ave, San Jose, CA 95131
(408) 588-0200 FAX: (408) 588-0201

FED-EX Tracking #
Accutest Quote #
Bottle Order Control #
Accutest NC Job #: C20562

Client / Reporting Information
Project Information
Requested Analysis
Matrix Codes
Collection table with columns for Sample ID, Date, Time, Matrix, # of bottles, and various analysis codes. Includes Turnaround Time options and Sample Custody tracking section.

4.1
4

page 2 of 2

C20562: Chain of Custody

Page 2 of 3





## GC/MS Volatiles

---

5

### QC Data Summaries

---

Includes the following where applicable:

- Method Blank Summaries
- Blank Spike Summaries
- Matrix Spike and Duplicate Summaries

## Method Blank Summary

**Job Number:** C20562  
**Account:** CCCAA Cameron-Cole  
**Project:** T0600118672-AC Transit, Emeryville, CA

Sample	File ID	DF	Analyzed	By	Prep Date	Prep Batch	Analytical Batch
VQ269-MB	Q7282.D	1	03/05/12	TN	n/a	n/a	VQ269

The QC reported here applies to the following samples:

Method: SW846 8260B

C20562-1, C20562-2, C20562-3, C20562-4, C20562-5, C20562-11, C20562-12, C20562-13, C20562-14

CAS No.	Compound	Result	RL	Units	Q
71-43-2	Benzene	ND	1.0	ug/l	
100-41-4	Ethylbenzene	ND	1.0	ug/l	
1634-04-4	Methyl Tert Butyl Ether	ND	1.0	ug/l	
108-88-3	Toluene	ND	1.0	ug/l	
1330-20-7	Xylene (total)	ND	2.0	ug/l	
	TPH-GRO (C6-C10)	ND	50	ug/l	

CAS No.	Surrogate Recoveries	Limits
1868-53-7	Dibromofluoromethane	98% 60-130%
2037-26-5	Toluene-D8	86% 60-130%
460-00-4	4-Bromofluorobenzene	88% 60-130%

## Method Blank Summary

**Job Number:** C20562  
**Account:** CCCAA Cameron-Cole  
**Project:** T0600118672-AC Transit, Emeryville, CA

Sample	File ID	DF	Analyzed	By	Prep Date	Prep Batch	Analytical Batch
VQ270-MB	Q7312.D	1	03/06/12	TN	n/a	n/a	VQ270

The QC reported here applies to the following samples:

Method: SW846 8260B

C20562-6, C20562-7, C20562-8, C20562-9, C20562-10, C20562-15, C20562-16, C20562-17

CAS No.	Compound	Result	RL	Units	Q
71-43-2	Benzene	ND	1.0	ug/l	
100-41-4	Ethylbenzene	ND	1.0	ug/l	
1634-04-4	Methyl Tert Butyl Ether	ND	1.0	ug/l	
108-88-3	Toluene	ND	1.0	ug/l	
1330-20-7	Xylene (total)	ND	2.0	ug/l	
	TPH-GRO (C6-C10)	ND	50	ug/l	

CAS No.	Surrogate Recoveries	Results	Limits
1868-53-7	Dibromofluoromethane	106%	60-130%
2037-26-5	Toluene-D8	98%	60-130%
460-00-4	4-Bromofluorobenzene	98%	60-130%

## Method Blank Summary

**Job Number:** C20562  
**Account:** CCCAA Cameron-Cole  
**Project:** T0600118672-AC Transit, Emeryville, CA

Sample	File ID	DF	Analyzed	By	Prep Date	Prep Batch	Analytical Batch
VQ271-MB	Q7334.D	1	03/07/12	TN	n/a	n/a	VQ271

The QC reported here applies to the following samples:

Method: SW846 8260B

C20562-16

CAS No.	Compound	Result	RL	Units	Q
	TPH-GRO (C6-C10)	ND	50	ug/l	

CAS No.	Surrogate Recoveries	Limits	
1868-53-7	Dibromofluoromethane	89%	60-130%
2037-26-5	Toluene-D8	104%	60-130%
460-00-4	4-Bromofluorobenzene	94%	60-130%

# Blank Spike/Blank Spike Duplicate Summary

**Job Number:** C20562  
**Account:** CCCAA Cameron-Cole  
**Project:** T0600118672-AC Transit, Emeryville, CA

Sample	File ID	DF	Analyzed	By	Prep Date	Prep Batch	Analytical Batch
VQ269-BS	Q7279.D	1	03/05/12	TN	n/a	n/a	VQ269
VQ269-BSD	Q7280.D	1	03/05/12	TN	n/a	n/a	VQ269

**The QC reported here applies to the following samples:** **Method:** SW846 8260B

C20562-1, C20562-2, C20562-3, C20562-4, C20562-5, C20562-11, C20562-12, C20562-13, C20562-14

CAS No.	Compound	Spike ug/l	BSP ug/l	BSP %	BSD ug/l	BSD %	RPD	Limits Rec/RPD
71-43-2	Benzene	20	21.9	110	22.0	110	0	60-130/30
100-41-4	Ethylbenzene	20	21.3	107	22.7	114	6	60-130/30
1634-04-4	Methyl Tert Butyl Ether	20	22.9	115	21.9	110	4	60-130/30
108-88-3	Toluene	20	20.0	100	23.0	115	14	60-130/30
1330-20-7	Xylene (total)	60	63.4	106	70.1	117	10	60-130/30

CAS No.	Surrogate Recoveries	BSP	BSD	Limits
1868-53-7	Dibromofluoromethane	102%	96%	60-130%
2037-26-5	Toluene-D8	90%	105%	60-130%
460-00-4	4-Bromofluorobenzene	96%	111%	60-130%

5.2.1  
5

# Blank Spike/Blank Spike Duplicate Summary

**Job Number:** C20562  
**Account:** CCCAA Cameron-Cole  
**Project:** T0600118672-AC Transit, Emeryville, CA

Sample	File ID	DF	Analyzed	By	Prep Date	Prep Batch	Analytical Batch
VQ270-BS	Q7309.D	1	03/06/12	TN	n/a	n/a	VQ270
VQ270-BSD	Q7310.D	1	03/06/12	TN	n/a	n/a	VQ270

**The QC reported here applies to the following samples:** **Method:** SW846 8260B

C20562-6, C20562-7, C20562-8, C20562-9, C20562-10, C20562-15, C20562-16, C20562-17

CAS No.	Compound	Spike ug/l	BSP ug/l	BSP %	BSD ug/l	BSD %	RPD	Limits Rec/RPD
71-43-2	Benzene	20	15.1	76	13.9	70	8	60-130/30
100-41-4	Ethylbenzene	20	15.0	75	12.5	63	18	60-130/30
1634-04-4	Methyl Tert Butyl Ether	20	16.1	81	17.0	85	5	60-130/30
108-88-3	Toluene	20	15.1	76	12.6	63	18	60-130/30
1330-20-7	Xylene (total)	60	46.1	77	38.6	64	18	60-130/30

CAS No.	Surrogate Recoveries	BSP	BSD	Limits
1868-53-7	Dibromofluoromethane	98%	119%	60-130%
2037-26-5	Toluene-D8	102%	93%	60-130%
460-00-4	4-Bromofluorobenzene	99%	99%	60-130%

5.2.2  
5

# Blank Spike/Blank Spike Duplicate Summary

**Job Number:** C20562  
**Account:** CCCAA Cameron-Cole  
**Project:** T0600118672-AC Transit, Emeryville, CA

Sample	File ID	DF	Analyzed	By	Prep Date	Prep Batch	Analytical Batch
VQ271-BS	Q7330.D	1	03/07/12	TN	n/a	n/a	VQ271
VQ271-BSD	Q7331.D	1	03/07/12	TN	n/a	n/a	VQ271

The QC reported here applies to the following samples:

Method: SW846 8260B

C20562-16

CAS No.	Compound	Spike ug/l	BSP ug/l	BSP %	BSD ug/l	BSD %	RPD	Limits Rec/RPD
---------	----------	---------------	-------------	----------	-------------	----------	-----	-------------------

CAS No.	Surrogate Recoveries	BSP	BSD	Limits
1868-53-7	Dibromofluoromethane	105%	107%	60-130%
2037-26-5	Toluene-D8	99%	99%	60-130%
460-00-4	4-Bromofluorobenzene	98%	99%	60-130%



# Laboratory Control Sample Summary

**Job Number:** C20562  
**Account:** CCCAA Cameron-Cole  
**Project:** T0600118672-AC Transit, Emeryville, CA

Sample	File ID	DF	Analyzed	By	Prep Date	Prep Batch	Analytical Batch
VQ269-LCS	Q7281.D	1	03/05/12	TN	n/a	n/a	VQ269

The QC reported here applies to the following samples: Method: SW846 8260B

C20562-1, C20562-2, C20562-3, C20562-4, C20562-5, C20562-11, C20562-12, C20562-13, C20562-14

CAS No.	Compound	Spike ug/l	LCS ug/l	LCS %	Limits
	TPH-GRO (C6-C10)	125	107	86	60-130

CAS No.	Surrogate Recoveries	BSP	Limits
1868-53-7	Dibromofluoromethane	98%	60-130%
2037-26-5	Toluene-D8	100%	60-130%
460-00-4	4-Bromofluorobenzene	96%	60-130%

5.3.1  
5

# Laboratory Control Sample Summary

**Job Number:** C20562  
**Account:** CCCAA Cameron-Cole  
**Project:** T0600118672-AC Transit, Emeryville, CA

Sample	File ID	DF	Analyzed	By	Prep Date	Prep Batch	Analytical Batch
VQ270-LCS	Q7313.D	1	03/06/12	TN	n/a	n/a	VQ270

The QC reported here applies to the following samples:

Method: SW846 8260B

C20562-6, C20562-7, C20562-8, C20562-9, C20562-10, C20562-15, C20562-16, C20562-17

CAS No.	Compound	Spike ug/l	LCS ug/l	LCS %	Limits
	TPH-GRO (C6-C10)	125	89.6	72	60-130

CAS No.	Surrogate Recoveries	BSP	Limits
1868-53-7	Dibromofluoromethane	108%	60-130%
2037-26-5	Toluene-D8	99%	60-130%
460-00-4	4-Bromofluorobenzene	99%	60-130%

# Laboratory Control Sample Summary

**Job Number:** C20562  
**Account:** CCCAA Cameron-Cole  
**Project:** T0600118672-AC Transit, Emeryville, CA

Sample	File ID	DF	Analyzed	By	Prep Date	Prep Batch	Analytical Batch
VQ271-LCS	Q7333.D	1	03/07/12	TN	n/a	n/a	VQ271

The QC reported here applies to the following samples:

Method: SW846 8260B

C20562-16

CAS No.	Compound	Spike ug/l	LCS ug/l	LCS %	Limits
	TPH-GRO (C6-C10)	125	88.9	71	60-130

CAS No.	Surrogate Recoveries	BSP	Limits
1868-53-7	Dibromofluoromethane	97%	60-130%
2037-26-5	Toluene-D8	101%	60-130%
460-00-4	4-Bromofluorobenzene	98%	60-130%

5.3.3  
5

# Matrix Spike/Matrix Spike Duplicate Summary

**Job Number:** C20562  
**Account:** CCCAA Cameron-Cole  
**Project:** T0600118672-AC Transit, Emeryville, CA

Sample	File ID	DF	Analyzed	By	Prep Date	Prep Batch	Analytical Batch
C20562-6MS	Q7322.D	1	03/06/12	TN	n/a	n/a	VQ270
C20562-6MSD	Q7324.D	1	03/06/12	TN	n/a	n/a	VQ270
C20562-6	Q7314.D	1	03/06/12	TN	n/a	n/a	VQ270

**The QC reported here applies to the following samples:** **Method:** SW846 8260B

C20562-6, C20562-7, C20562-8, C20562-9, C20562-10, C20562-15, C20562-16, C20562-17

CAS No.	Compound	C20562-6 ug/l	Spike Q ug/l	MS ug/l	MS %	MSD ug/l	MSD %	RPD	Limits Rec/RPD
71-43-2	Benzene	ND	20	21.2	106	22.5	113	6	60-130/25
100-41-4	Ethylbenzene	ND	20	21.7	109	23.4	117	8	60-130/25
1634-04-4	Methyl Tert Butyl Ether	1.9	20	25.0	116	25.2	117	1	60-130/25
108-88-3	Toluene	ND	20	21.7	109	23.7	119	9	60-130/25
1330-20-7	Xylene (total)	ND	60	66.2	110	72.1	120	9	60-130/25

CAS No.	Surrogate Recoveries	MS	MSD	C20562-6	Limits
1868-53-7	Dibromofluoromethane	95%	90%	103%	60-130%
2037-26-5	Toluene-D8	104%	107%	100%	60-130%
460-00-4	4-Bromofluorobenzene	98%	99%	98%	60-130%

5.4.1  
5

# Matrix Spike/Matrix Spike Duplicate Summary

**Job Number:** C20562  
**Account:** CCCAA Cameron-Cole  
**Project:** T0600118672-AC Transit, Emeryville, CA

Sample	File ID	DF	Analyzed	By	Prep Date	Prep Batch	Analytical Batch
C20563-9MS	Q7343.D	100	03/07/12	TN	n/a	n/a	VQ271
C20563-9MSD	Q7344.D	100	03/07/12	TN	n/a	n/a	VQ271
C20563-9	Q7345.D	100	03/07/12	TN	n/a	n/a	VQ271

The QC reported here applies to the following samples:

Method: SW846 8260B

C20562-16

CAS No.	Compound	C20563-9 ug/l	Spike Q ug/l	MS ug/l	MS %	MSD ug/l	MSD %	RPD	Limits Rec/RPD
---------	----------	------------------	--------------------	------------	---------	-------------	----------	-----	-------------------

CAS No.	Surrogate Recoveries	MS	MSD	C20563-9	Limits
1868-53-7	Dibromofluoromethane	95%	94%	91%	60-130%
2037-26-5	Toluene-D8	104%	106%	106%	60-130%
460-00-4	4-Bromofluorobenzene	97%	98%	96%	60-130%

5.4.2  
5

## GC Semi-volatiles

---

### QC Data Summaries

---

Includes the following where applicable:

- Method Blank Summaries
- Blank Spike Summaries
- Matrix Spike and Duplicate Summaries

## Method Blank Summary

**Job Number:** C20562  
**Account:** CCCAA Cameron-Cole  
**Project:** T0600118672-AC Transit, Emeryville, CA

Sample	File ID	DF	Analyzed	By	Prep Date	Prep Batch	Analytical Batch
OP5475-MB	GG32278.D	1	02/29/12	JH	02/28/12	OP5475	GGG864

The QC reported here applies to the following samples:

Method: SW846 8015B M

C20562-2, C20562-3, C20562-4, C20562-5, C20562-6, C20562-7, C20562-8, C20562-9, C20562-10, C20562-11, C20562-12, C20562-13, C20562-14, C20562-15, C20562-16, C20562-17

CAS No.	Compound	Result	RL	Units	Q
	TPH (Diesel)	ND	0.10	mg/l	
	TPH (Motor Oil)	ND	0.20	mg/l	

CAS No.	Surrogate Recoveries	Limits
630-01-3	Hexacosane	69% 45-140%

# Blank Spike/Blank Spike Duplicate Summary

**Job Number:** C20562  
**Account:** CCCAA Cameron-Cole  
**Project:** T0600118672-AC Transit, Emeryville, CA

Sample	File ID	DF	Analyzed	By	Prep Date	Prep Batch	Analytical Batch
OP5475-BS	GG32279.D	1	02/29/12	JH	02/28/12	OP5475	GGG864
OP5475-BSD	GG32280.D	1	02/29/12	JH	02/28/12	OP5475	GGG864

The QC reported here applies to the following samples:

Method: SW846 8015B M

C20562-2, C20562-3, C20562-4, C20562-5, C20562-6, C20562-7, C20562-8, C20562-9, C20562-10, C20562-11, C20562-12, C20562-13, C20562-14, C20562-15, C20562-16, C20562-17

CAS No.	Compound	Spike mg/l	BSP mg/l	BSP %	BSD mg/l	BSD %	RPD	Limits Rec/RPD
	TPH (Diesel)	1	0.830	83	0.791	79	5	45-140/30
	TPH (Motor Oil)	1	0.707	71	0.710	71	0	45-140/30

CAS No.	Surrogate Recoveries	BSP	BSD	Limits
630-01-3	Hexacosane	84%	83%	45-140%

6.2.1

6



# Matrix Spike/Matrix Spike Duplicate Summary

**Job Number:** C20562  
**Account:** CCCAA Cameron-Cole  
**Project:** T0600118672-AC Transit, Emeryville, CA

Sample	File ID	DF	Analyzed	By	Prep Date	Prep Batch	Analytical Batch
OP5475-MS	GG32310.D	1	02/29/12	JH	02/28/12	OP5475	GGG864
OP5475-MSD	GG32311.D	1	03/01/12	JH	02/28/12	OP5475	GGG864
C20541-2	GG32305.D	1	02/29/12	JH	02/28/12	OP5475	GGG864

The QC reported here applies to the following samples:

Method: SW846 8015B M

C20562-2, C20562-3, C20562-4, C20562-5, C20562-6, C20562-7, C20562-8, C20562-9, C20562-10, C20562-11, C20562-12, C20562-13, C20562-14, C20562-15, C20562-16, C20562-17

CAS No.	Compound	C20541-2 mg/l	Spike Q mg/l	MS mg/l	MS %	MSD mg/l	MSD %	RPD	Limits Rec/RPD
	TPH (Diesel)	ND	0.943	0.844	89	0.801	85	5	45-140/25
	TPH (Motor Oil)	ND	0.943	0.705	75	0.671	71	5	45-140/25

CAS No.	Surrogate Recoveries	MS	MSD	C20541-2	Limits
630-01-3	Hexacosane	84%	77%	73%	45-140%

6.3.1

6