



ALISTO ENGINEERING GROUP

February 27, 1996

Mr. Scott Seery
Alameda County Health Care Services Agency
Department of Environmental Health
1131 Harbor Bay Parkway, 2nd Floor
Alameda, California 94502

10-138-07-001

Subject: Revised Site Plan Showing Proposed Additional Soil Borings
BP Oil Company Service Station No. 11105
3519 Castro Valley Boulevard
Castro Valley, California

Dear Mr. Seery:

In accordance with our conversation today, attached is a revised site plan showing the proposed locations of two additional soil borings along the former product pipelines at 3519 Castro Valley Boulevard, Castro Valley, California.

The locations of the soil borings were revised to address a liner patch of asphalt between the former dispenser island and the northern-most existing dispenser island. One of the soil borings will be at the location of an asphalt patch near the former dispenser island, and the other midway between ESE-4 and the northern-most existing dispenser island. Please note that analysis of the soil sample collected from ESE-4 at 6.5 feet did not detect petroleum hydrocarbons above the reported detection limits.

The soil samples will be collected from each boring at first native material encountered and at the total depth of the borings at approximately 5 feet below grade. Please call if you have any questions or comments.

Sincerely,

ALISTO ENGINEERING GROUP

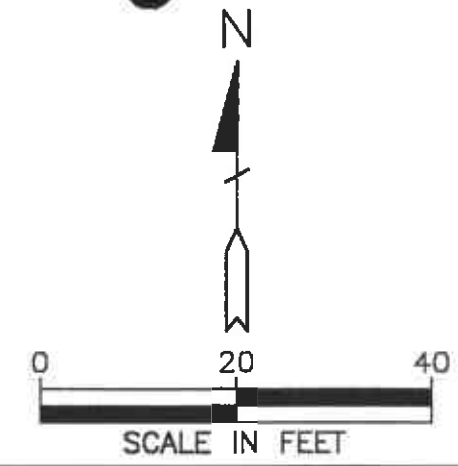
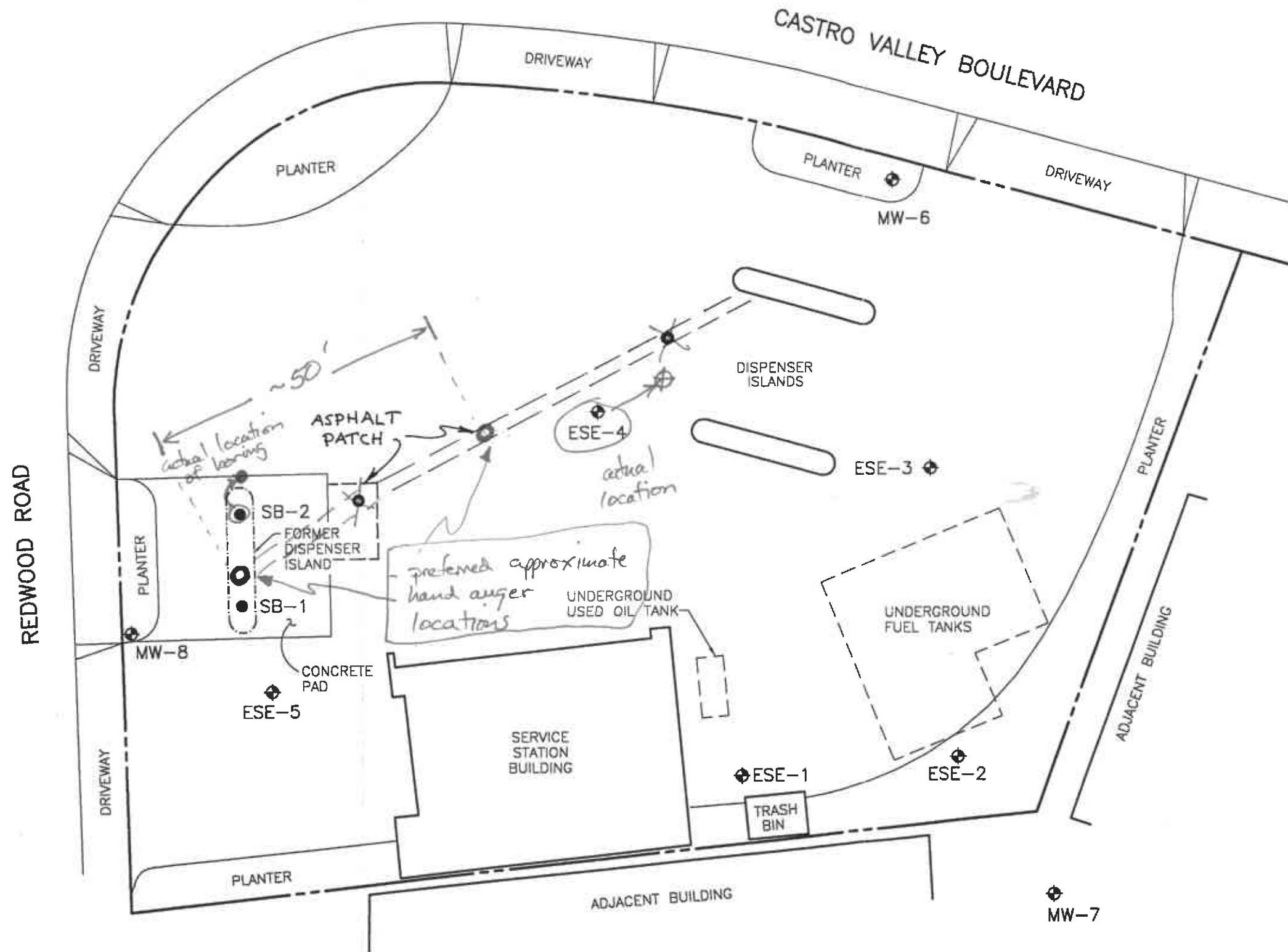
Brady Nagle
Project Manager

cc: Scott Hooton, BP Oil Company

F:\0\10-138\07-ACHCS.LT2

56 FEB 28 PM 1:25

NOTED BY
TV LEBEL 2/28/96



- LEGEND**
- ◆ GROUNDWATER MONITORING WELL
 - SOIL BORING LOCATION
 - PROPOSED SOIL BORING

FIGURE 1
SITE PLAN
 BP OIL SERVICE STATION NO. 11105
 3519 CASTRO VALLEY BOULEVARD
 CASTRO VALLEY, CALIFORNIA
 PROPOSAL NO. 10-95-150

131265-1-DWG 10-19-95 MWP 1-20