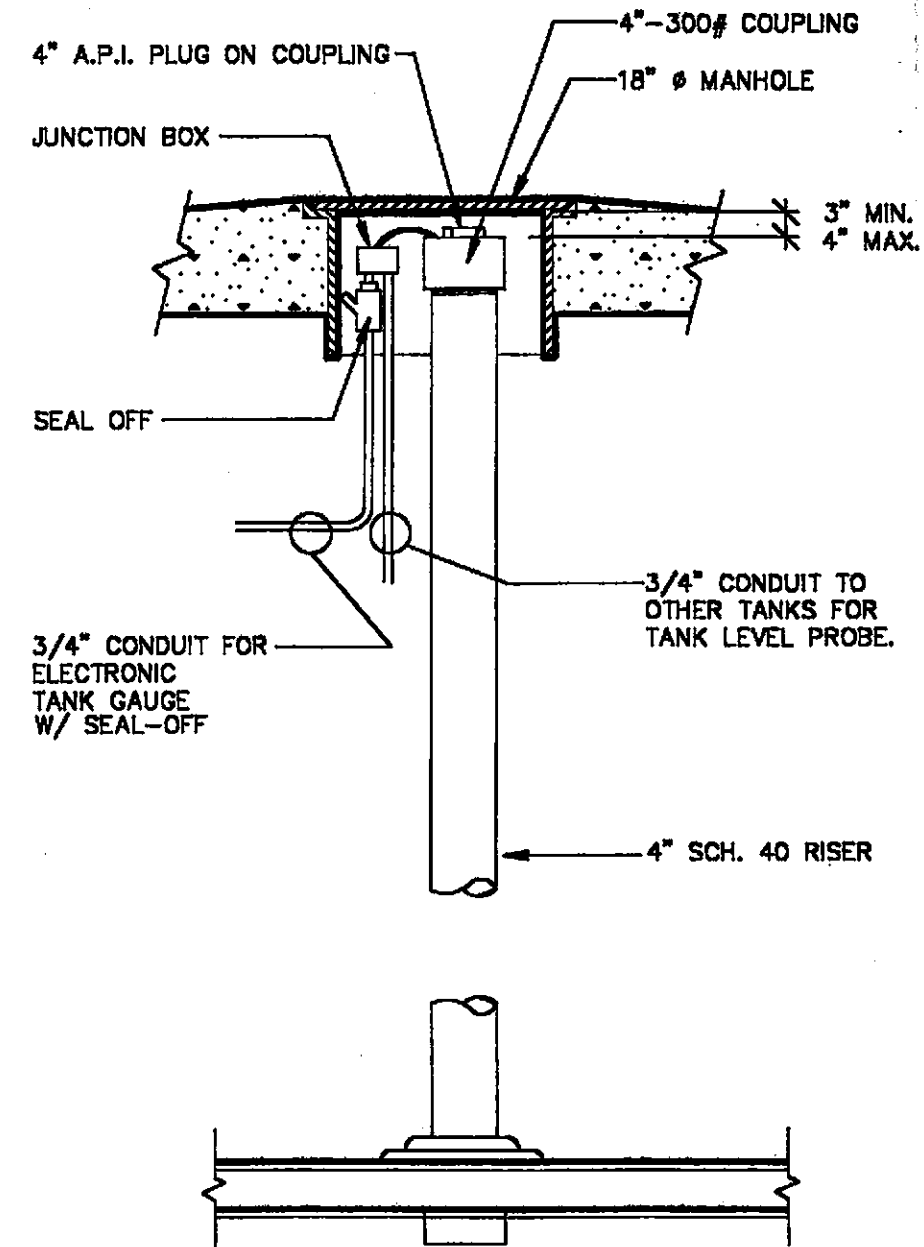


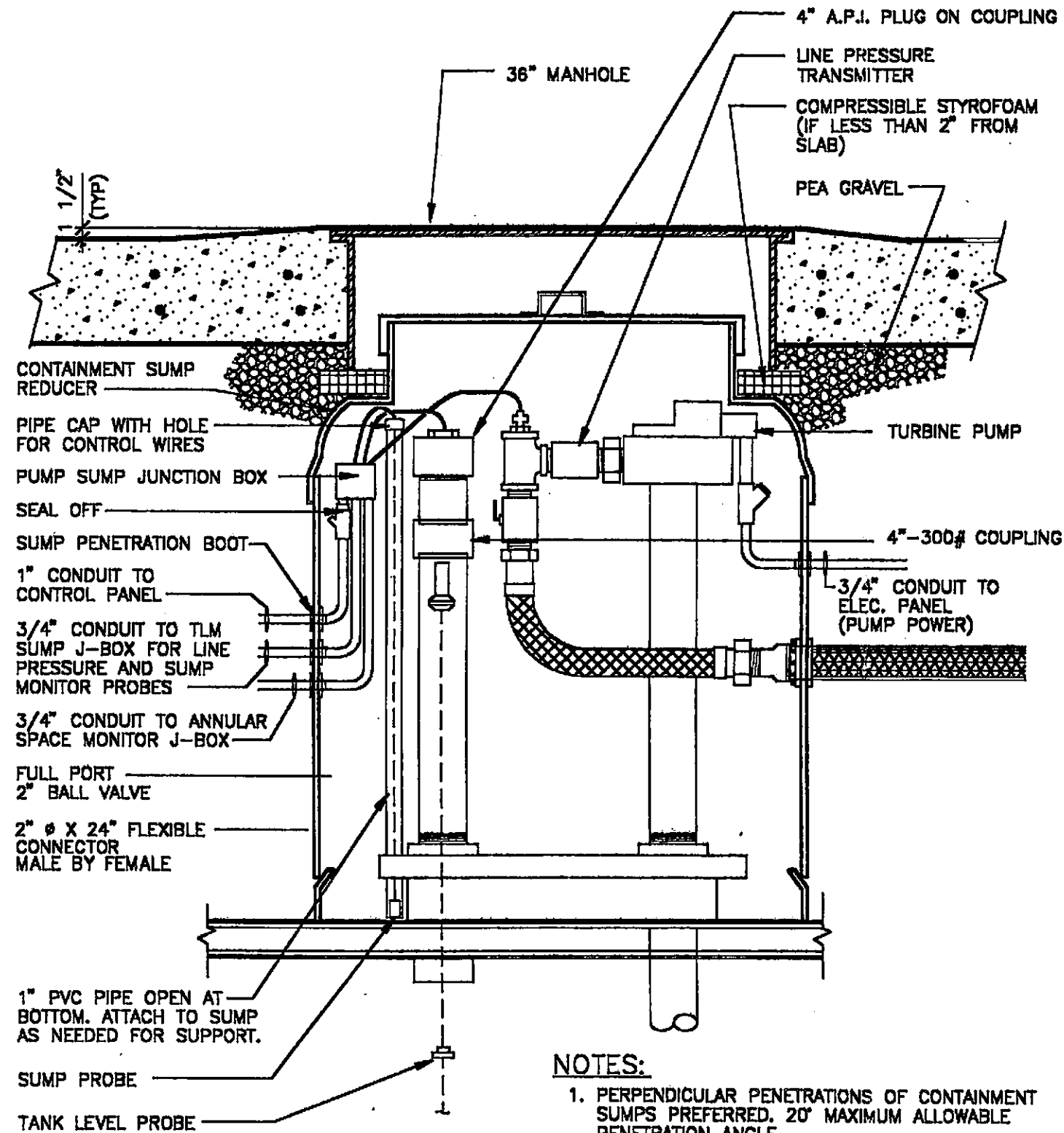
3 FILL DETAIL

SCALE: 1"=1'-0"



2 TLM RISER DETAIL

SCALE: 1"=1'-0"

**NOTES:**

1. PERPENDICULAR PENETRATIONS OF CONTAINMENT SUMPS PREFERRED. 20° MAXIMUM ALLOWABLE PENETRATION ANGLE.
2. USE SUMP PENETRATION BOOTS AT ALL PENETRATIONS OF SUMP.
3. ALL JUNCTION BOXES ARE TO BE PLACED WITHIN 1'-0" OF THE TOP OF SUMP.

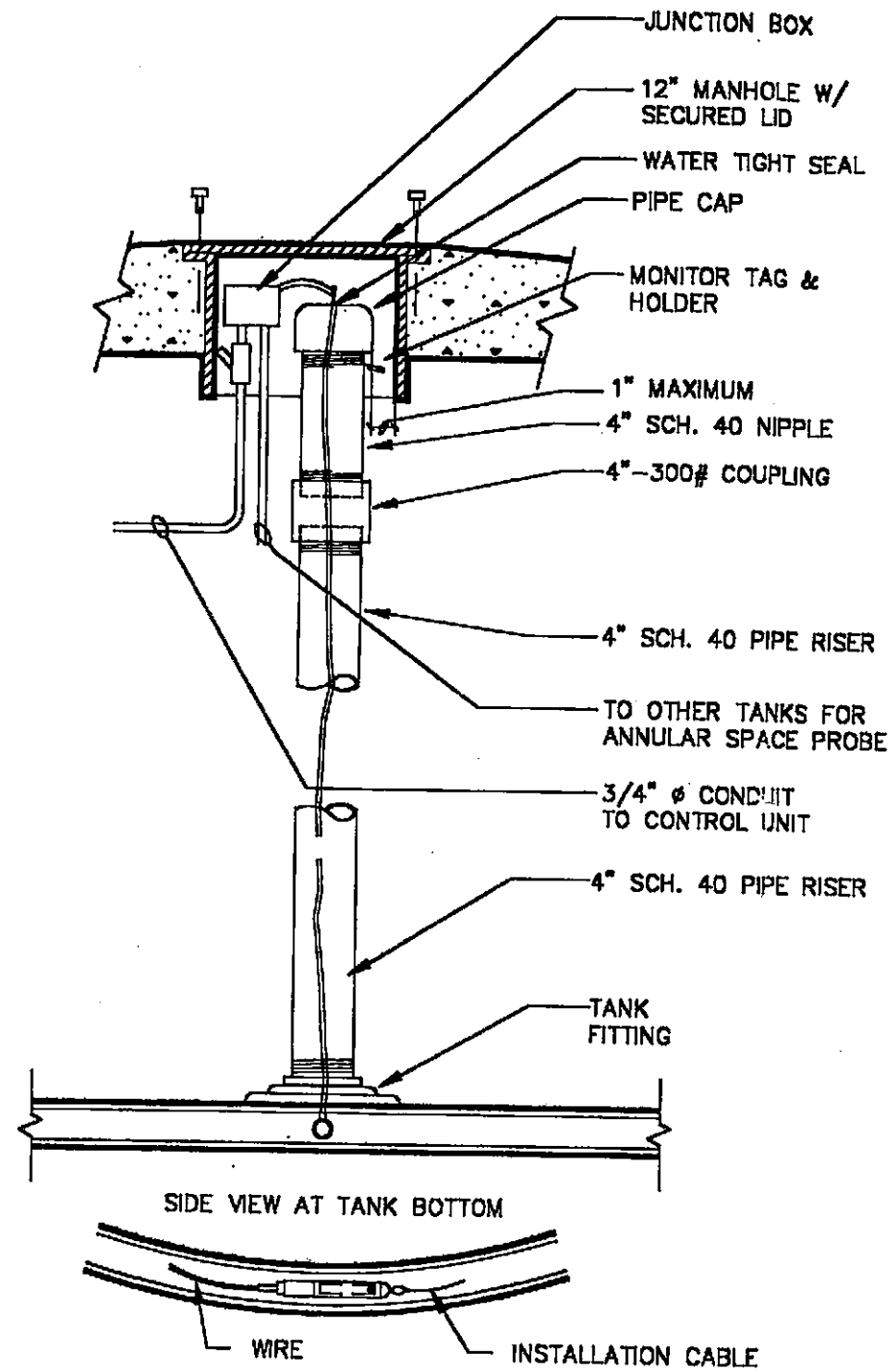
GENERAL NOTES:

1. ALL PRODUCT TANK RISERS AND FITTINGS TO BE SCHEDULE 40 GALVANIZED STEEL PIPING. ALL DIESEL RISERS AND FITTINGS TO BE SCHEDULE 40 BLACK IRON.
2. ALL STEEL PIPING AND FLEX CONNECTORS TO BE PRIMED AND WRAPPED.
3. ALL PIPE PENETRATIONS OF SUMPS TO BE AT 90°
4. USE UNISEAL PENETRATION GROMMETS ON PENETRATION HOLES IN SUMPS.
5. ALL JUNCTION BOXES ARE TO BE PLACED WITHIN 1'-0" FROM TOP OF SUMP AND A MINIMUM OF 2" FROM SUMP WALL.
6. EXISTING TANKS SHALL REMAIN. FITTING SIZE AND LOCATION MAY VARY. CONTRACTOR SHALL FIELD VERIFY.

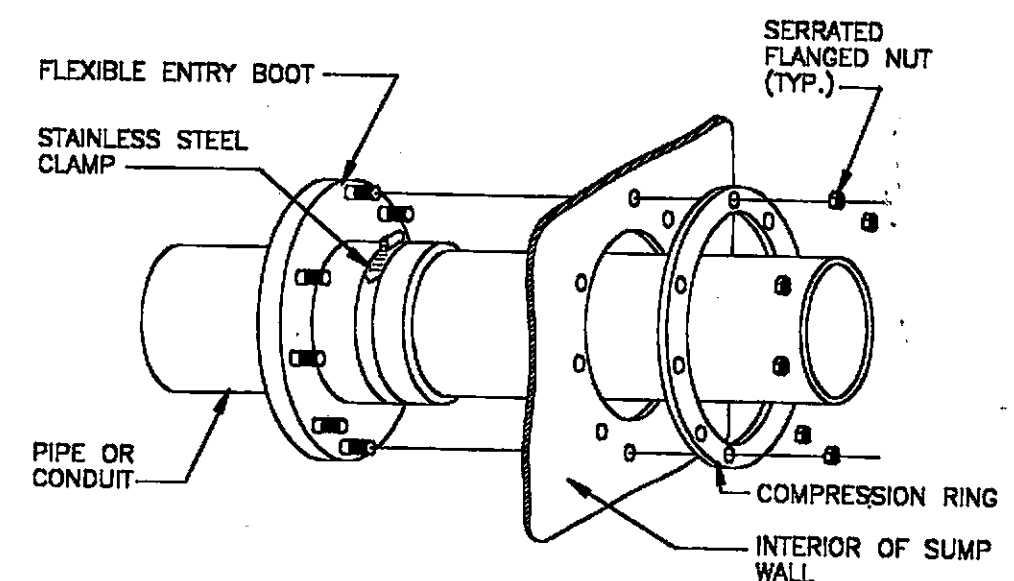
1

REMOTE PUMP DETAIL

SCALE: 1"=1'-0"



5 ANNULAR SPACE MONITOR DETAIL
SCALE: 1"=1'-0"



1. USING COMPRESSION RING AS A GUIDE, DRILL PIPE/CONDUIT HOLE AND BOLT HOLES THROUGH SUMP WALL PER TABLE BELOW.
2. ASSEMBLE PARTS AS SHOWN ABOVE. UNIFORMLY TIGHTEN ALL BOLTS & STAINLESS STEEL CLAMP TO 60-IN.LBS. TORQUE.

FLEXIBLE ENTRY BOOT	PIPE/CONDUIT NORMAL SIZE	HOLE SAW SIZE	BOLT HOLE SIZE
FEB3075	3/4" CONDUIT	3"	5/16"
FEB3100	1" CONDUIT	3"	5/16"
FEB6200	2" FRP PIPE	4 1/2"	5/16"
FEB6300	3" FRP PIPE	4 1/2"	5/16"

NOTE: SUMP AND PENETRATIONS OF SUMP SHALL BE WATER TIGHT.

4 PIPE/CONDUIT SUMP ENTRY DETAIL
SCALE: NONE

T
M
D
C
B
A

1	01/17/86	ISSUED FOR PERMIT	TWL
MARK	DATE	REVISIONS	INITIAL

TANK DETAILS

2100 SEMINARY AVENUE
OAKLAND, CALIFORNIA



AC Transit

PARADISO MECHANICAL, INC.
2600 WILLIAMS STREET
SAN LEANDRO, CALIFORNIA 94577

REVIEW	APP	DATE	SCALE: AS SHOWN
BLDG PERMIT			DATE: 09JAN96
PERMIT REVS			DR BY: TWL
GENERAL BID			APPR: BC
BID ADDENDUM			JOB NO.: 380-03
CONSTRUCTION			
RECORD DWGS.			
			SHEET NO.:
			3

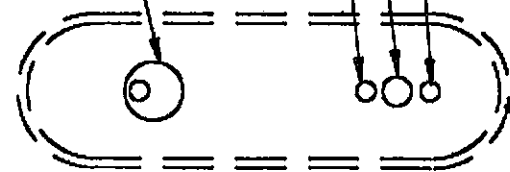
14 15 16 17

NEW ANNULAR SPACE LEAK DETECTION PROBE,
VEEDER-ROOT #794390-341. (E) RISER AND
MANHOLE TO REMAIN. (TYP. OF 3)

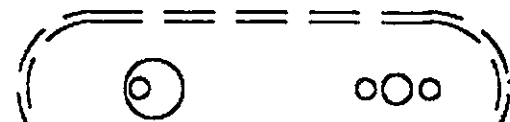
REMOVE (E) 18" MANHOLE
NEW 15 GALLON SPILL CONTAINER
OPW-1-2155, 4" FILL RISER AND
OVERFILL PREVENTION VALVE W/DROP
TUBE, OPW SO-400C (TYP. OF 3)

(E) 12" MANHOLE TO REMAIN (TYP. OF 3)

(E) 36" ACCESS MANHOLE TO REMAIN
(TYP. OF 3)



(E) 8,000 GALLON DOUBLE WALL FIBERGLASS
ENGINE OIL STORAGE TANK TO REMAIN



(E) 8,000 GALLON DOUBLE WALL FIBERGLASS
ATF STORAGE TANK TO REMAIN

(E) 4,000 GALLON DOUBLE WALL FIBERGLASS
WASTE OIL STORAGE TANK TO REMAIN

(E) 36" ACCESS MANHOLE TO REMAIN

NEW TANK LEVEL MONITOR, VEEDER-ROOT
#B47390, 0.1 GPH MAGNETOSTRICTIVE PROBE,
(E) RISER TO REMAIN

NEW OVERFILL ALARM AND ACKNOWLEDGEMENT
SWITCH, VEEDER-ROOT #790091-001 & #790095-001
EXACT LOCATION SHALL BE DETERMINED IN THE FIELD

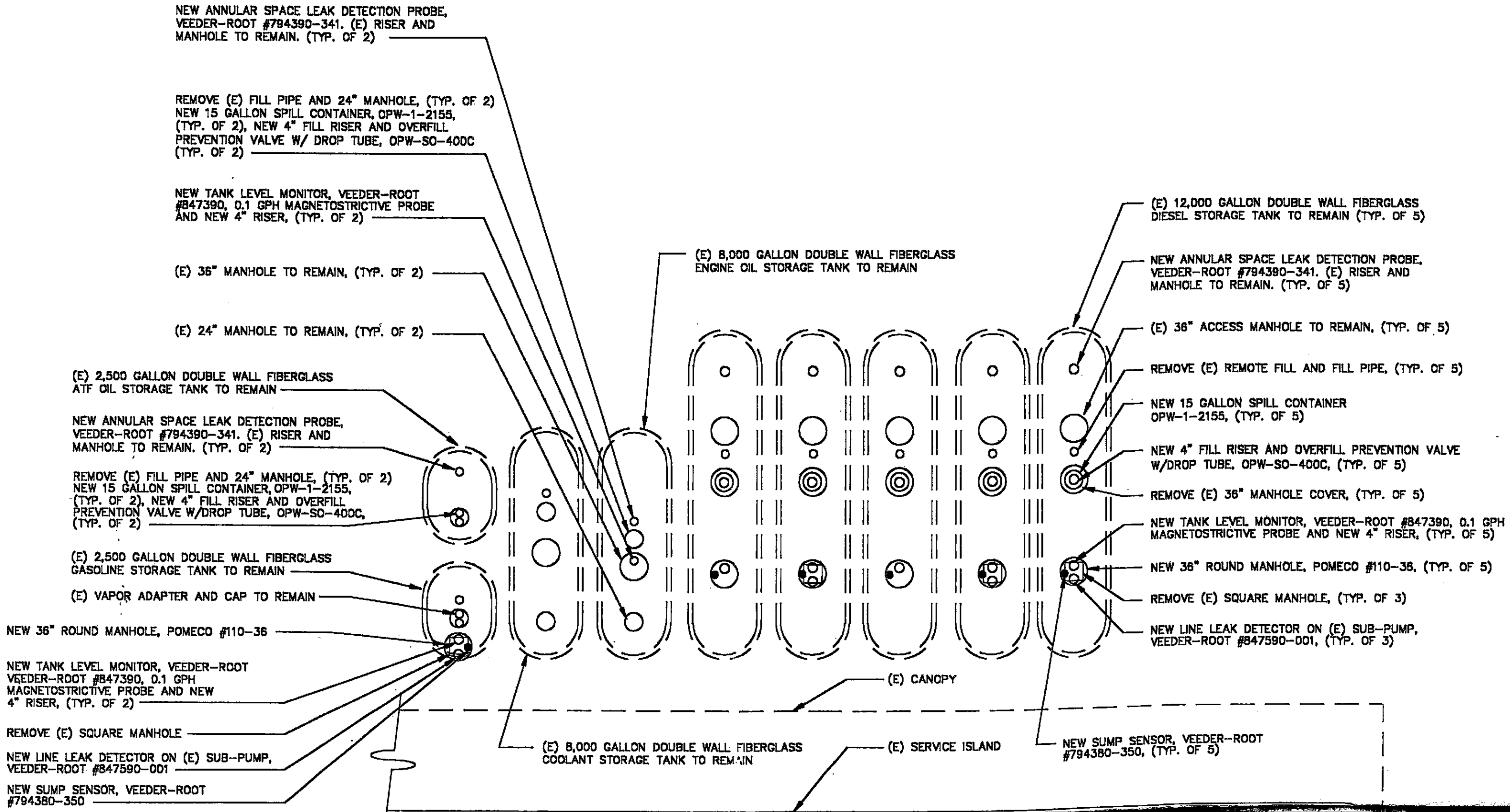
REMOVE (E) 18" MANHOLE
NEW 15 GALLON SPILL CONTAINER
OPW-1-2155, (E) TANK PUMP OUT
RISER TO REMAIN

NEW ANNULAR SPACE LEAK DETECTION PROBE,
VEEDER-ROOT #794390-341. (E) RISER AND
MANHOLE TO REMAIN

REMOVE (E) HIGH LEVEL ALARM

(E) 12" MANHOLE TO REMAIN

MAINTENANCE BUILDING



NEW ANNULAR SPACE LEAK DETECTION PROBE, VEEDER-ROOT #794390-341. (E) RISER AND MANHOLE TO REMAIN. (TYP. OF 2)

REMOVE (E) FILL PIPE AND 24" MANHOLE, (TYP. OF 2)
 NEW 15 GALLON SPILL CONTAINER, OPW-1-2155, (TYP. OF 2), NEW 4" FILL RISER AND OVERFILL PREVENTION VALVE W/ DROP TUBE, OPW-SO-400C (TYP. OF 2)

NEW TANK LEVEL MONITOR, VEEDER-ROOT #847390, 0.1 GPH MAGNETOSTRICTIVE PROBE AND NEW 4" RISER, (TYP. OF 2)

(E) 36" MANHOLE TO REMAIN, (TYP. OF 2)

(E) 24" MANHOLE TO REMAIN, (TYP. OF 2)

(E) 2,500 GALLON DOUBLE WALL FIBERGLASS ATF OIL STORAGE TANK TO REMAIN

NEW ANNULAR SPACE LEAK DETECTION PROBE, VEEDER-ROOT #794390-341. (E) RISER AND MANHOLE TO REMAIN. (TYP. OF 2)

REMOVE (E) FILL PIPE AND 24" MANHOLE, (TYP. OF 2)
 NEW 15 GALLON SPILL CONTAINER, OPW-1-2155, (TYP. OF 2), NEW 4" FILL RISER AND OVERFILL PREVENTION VALVE W/DROP TUBE, OPW-SO-400C, (TYP. OF 2)

(E) 2,500 GALLON DOUBLE WALL FIBERGLASS GASOLINE STORAGE TANK TO REMAIN

(E) VAPOR ADAPTER AND CAP TO REMAIN

NEW 36" ROUND MANHOLE, POMECCO #110-36

NEW TANK LEVEL MONITOR, VEEDER-ROOT #847390, 0.1 GPH MAGNETOSTRICTIVE PROBE AND NEW 4" RISER, (TYP. OF 2)

REMOVE (E) SQUARE MANHOLE

NEW LINE LEAK DETECTOR ON (E) SUB-PUMP, VEEDER-ROOT #847590-001

NEW SUMP SENSOR, VEEDER-ROOT #794380-350

(E) 8,000 GALLON DOUBLE WALL FIBERGLASS ENGINE OIL STORAGE TANK TO REMAIN

(E) 12,000 GALLON DOUBLE WALL FIBERGLASS DIESEL STORAGE TANK TO REMAIN (TYP. OF 5)

NEW ANNULAR SPACE LEAK DETECTION PROBE, VEEDER-ROOT #794390-341. (E) RISER AND MANHOLE TO REMAIN. (TYP. OF 5)

(E) 36" ACCESS MANHOLE TO REMAIN, (TYP. OF 5)

REMOVE (E) REMOTE FILL AND FILL PIPE, (TYP. OF 5)

NEW 15 GALLON SPILL CONTAINER OPW-1-2155, (TYP. OF 5)

NEW 4" FILL RISER AND OVERFILL PREVENTION VALVE W/DROP TUBE, OPW-SO-400C, (TYP. OF 5)

REMOVE (E) 36" MANHOLE COVER, (TYP. OF 5)

NEW TANK LEVEL MONITOR, VEEDER-ROOT #847390, 0.1 GPH MAGNETOSTRICTIVE PROBE AND NEW 4" RISER, (TYP. OF 5)

NEW 36" ROUND MANHOLE, POMECCO #110-36, (TYP. OF 5)

REMOVE (E) SQUARE MANHOLE, (TYP. OF 3)

NEW LINE LEAK DETECTOR ON (E) SUB-PUMP, VEEDER-ROOT #847590-001, (TYP. OF 3)

(E) CANOPY

(E) 8,000 GALLON DOUBLE WALL FIBERGLASS COOLANT STORAGE TANK TO REMAIN

(E) SERVICE ISLAND

NEW SUMP SENSOR, VEEDER-ROOT #794380-350, (TYP. OF 5)



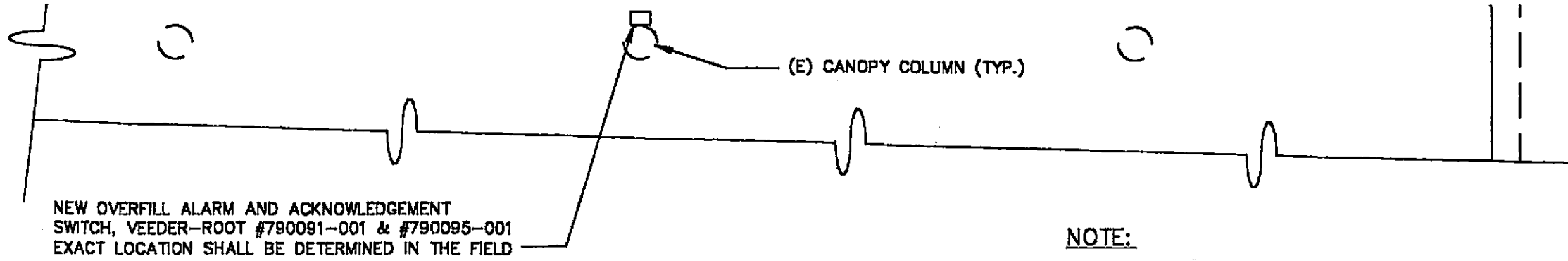
NEW TANK LEVEL MONITOR, VEEDER-ROOT
#847390, 0.1 GPH MAGNETOSTRICTIVE PROBE,
AND NEW 4" RISER, (TYP. OF 3)

DETAIL #2

SCALE: 1" = 10'-0"

NOTE:

1. ALL UNDERGROUND PRODUCT AND VENT PIPING SHALL REMAIN
2. THE EXISTING PNEUMERCATOR AND POLLULERT MONITORING PANELS SHALL BE REMOVED. INSTALL NEW VEEDER-ROOT #TLS-350 MONITORING CONTROLLER PANEL IN THE MAINTENANCE OFFICE. LOCATION SHALL BE DETERMINED IN THE FIELD.



DETAIL #1

SCALE: 1" = 10'-0"

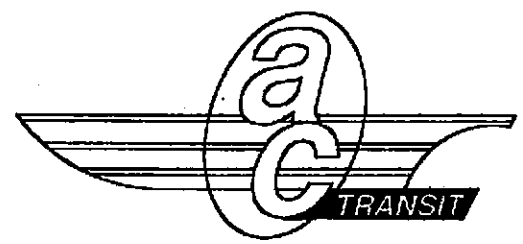
NOTE:

1. ALL UNDERGROUND PRODUCT AND VENT PIPING SHALL REMAIN
2. THE EXISTING PNEUMERCATOR AND POLLULERT MONITORING PANELS SHALL BE REMOVED. INSTALL NEW VEEDER-ROOT #TLS-350 MONITORING CONTROLLER PANEL IN THE SERVICE/ISLAND OFFICE, LOCATION SHALL BE DETERMINED IN THE FIELD.

MARK	DATE	REVISIONS	INITIAL
1	01/17/96	ISSUED FOR PERMIT	TWL

UST MODIFICATION DETAILS

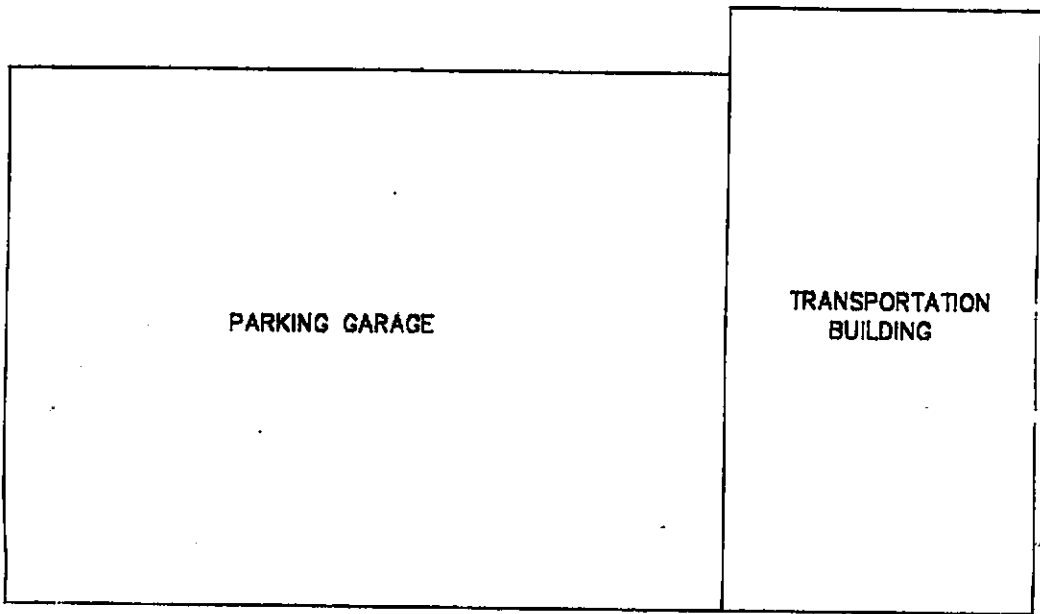
2100 SEMINARY AVENUE
OAKLAND, CALIFORNIA



AC Transit

PARADISO MECHANICAL, INC.
2600 WILLIAMS STREET
SAN LEANDRO, CALIFORNIA 94577

REVIEW	INITIAL	DATE	DATE: 09JAN96
PRELIMINARY			DR. BY: TWL
PLANNING			
STEEL BID			
BLDG PERMIT			APPR.: BC
GENERAL BID			



SAN LEANDRO STREET

(E) 8,000 GALLON DOUBLE WALL
FIBERGLASS ATF STORAGE TANK

(E) 4,000 GALLON DOUBLE WALL
FIBERGLASS WASTE OIL STORAGE TANK

AREA OF CONSTRUCTION
SEE SHEET #2, DETAIL #2

(E) 8,000 GALLON DOUBLE WALL
FIBERGLASS ENGINE OIL STORAGE TANK

(E) 4,000 GALLON DOUBLE WALL
FIBERGLASS ENGINE OIL STORAGE TANK

MAINTENACE BUILDING

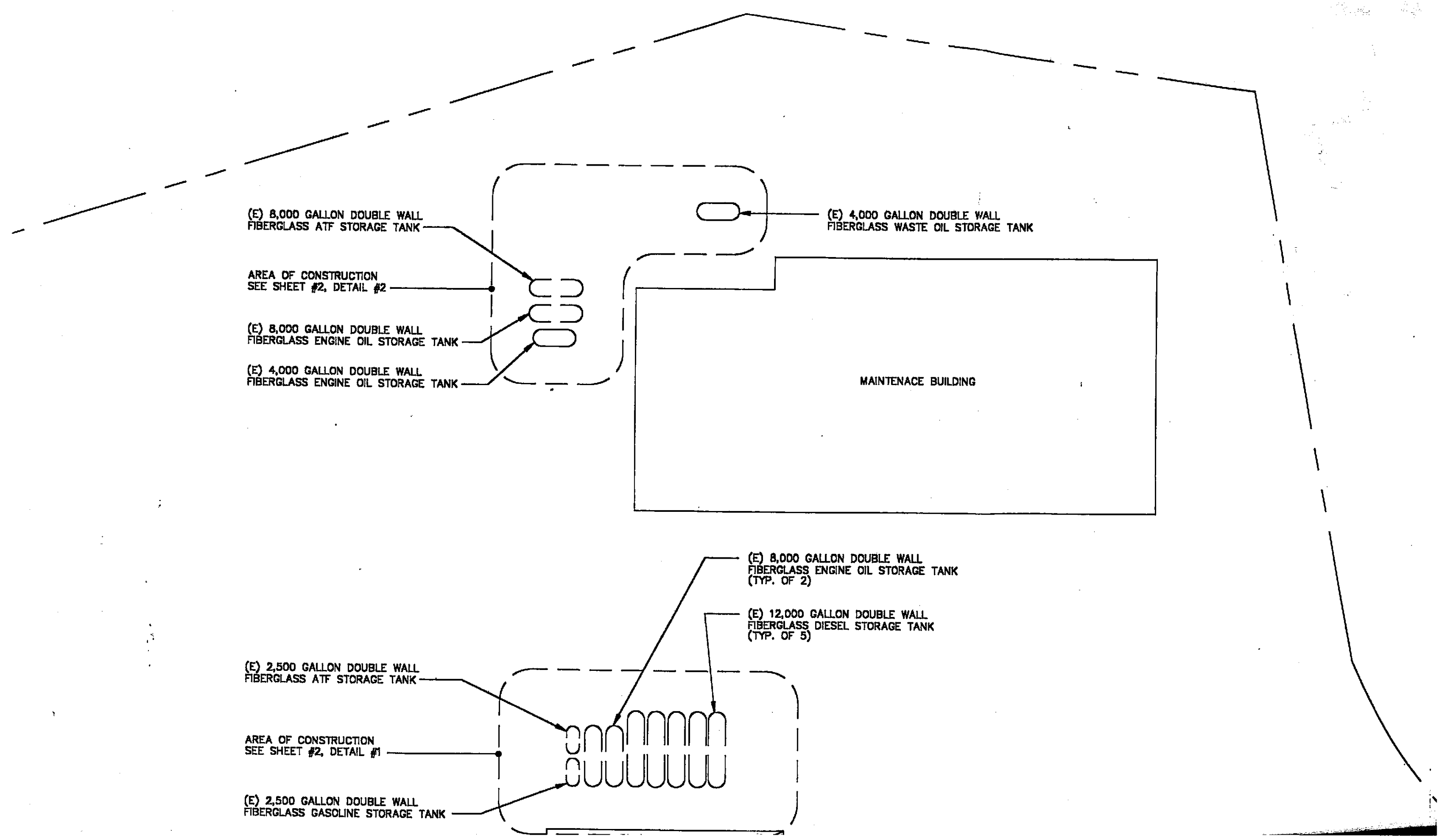
(E) 8,000 GALLON DOUBLE WALL
FIBERGLASS ENGINE OIL STORAGE TANK
(TYP. OF 2)

(E) 12,000 GALLON DOUBLE WALL
FIBERGLASS DIESEL STORAGE TANK
(TYP. OF 5)

(E) 2,500 GALLON DOUBLE WALL
FIBERGLASS ATF STORAGE TANK

AREA OF CONSTRUCTION
SEE SHEET #2, DETAIL #1

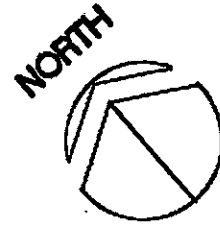
(E) 2,500 GALLON DOUBLE WALL
FIBERGLASS GASOLINE STORAGE TANK



FUEL ISLAND/SERVICE BUILDING

OVERALL SITE PLAN

SCALE: 1" = 40'-0"



BUS WASH BUILDING

APPROVED
FEB 02 1996

MARK	DATE	REVISIONS	INITIAL
1	01/17/96	ISSUED FOR PERMIT	TWL

ACCEPTED

DEPARTMENT OF ENVIRONMENTAL HEALTH
1131 Harbor Bay Parkway
Suite 250
Alameda, CA 94502-8577

These plans have been reviewed and found to be acceptable and essentially meet the requirements of State and local Health laws. Changes to your plans indicated by this Department are to assure compliance with State and local laws. The project proposed herein is now released for issuance of any required building permits for construction. One copy of these accepted plans must be on the job and available to all contractors and craftsmen involved with the construction and installation. Any change or alterations of these plans and specifications must be submitted to this Department and to the Fire and Building Inspection Department to determine if such changes meet the requirements of State local laws. Notify this Department at least 48 hours prior to the following required inspections:

- _____ Pressure Tests-Primary Secondary
- _____ Pre-Covering of Tank and Piping
- _____ Final Inspection

Issuance of a permit to operate is dependent on compliance with accepted plans and all applicable laws and regulations.

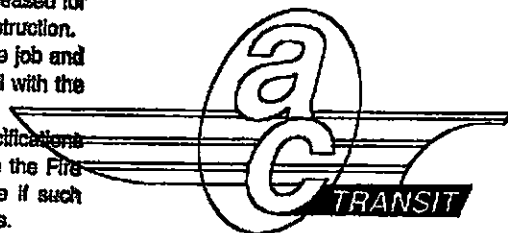
THERE IS A FINANCIAL PENALTY FOR NOT OBTAINING THESE INSPECTIONS

Contact Specialist:

2/13/96 *[Signature]*

UST MODIFICATION

2100 SEMINARY AVENUE
OAKLAND, CALIFORNIA



AC Transit

PARADISO MECHANICAL, INC.
2600 WILLIAMS STREET
SAN LEANDRO, CALIFORNIA 94577

REVIEW	INITIAL	DATE	DATE: 09JAN86
PRELIMINARY			DR. BY: TWL
PLANNING			
STEEL BID			APPR.: BC
BLDG PERMIT			
GENERAL BID			JOB # 380-03
PERMIT REV'S			
CONSTRUCTION			SHEET
Do not use drawing for construction unless initialed			

1

15

16

17

18