

**PARADISO MECHANICAL, INC.**  
 GENERAL & PETROLEUM CONTRACTORS  
 2600 Williams Street, P.O. Box 1836  
 San Leandro, CA 94577  
 (510) 614-8390 FAX (510) 614-8396  
 Contractors License #677909

LETTER OF TRANSMITTAL

TO:

DATE 11/18/98	JOB #
ATTN: JOEL G. GREGER, C.E.G.	
RE: TANK CLOSURE BOOK	

GEO-LOGIC

1140 - 5<sup>TH</sup> AVENUE

CROCKETT, CA 94525

WE ARE SENDING YOU  Attached  Under Separate Cover via \_\_\_\_\_ the following items:

- Shop drawings     Prints     Plans     Sample     Specifications  
 Copy of Letter     Change Order     \_\_\_\_\_

COPIES	DATE	NO.	DESCRIPTION
1			TANK CLOSURE BOOK FOR BERKELEY FARMS, 4550 SAN PABLO AVENUE, EMERYVILLE, CA

THESE ARE TRANSMITTED as checked below:

- For approval     Approved as submitted     Resubmit \_\_\_\_\_ copies for approval  
 For your use     Approved as noted     Submit \_\_\_\_\_ copies for distribution  
 As requested     Returned for corrections     Return \_\_\_\_\_ corrected prints

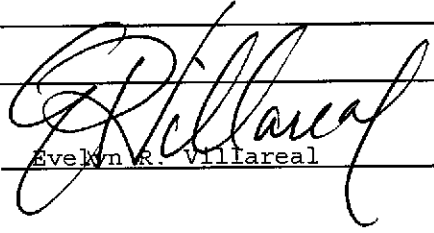
For review and comment  \_\_\_\_\_

FOR BIDS DUE \_\_\_\_\_, 19\_\_\_\_  PRINTS RETURNED AFTER LOAN TO US

REMARKS \_\_\_\_\_

\_\_\_\_\_

COPY TO \_\_\_\_\_

SIGNED:  Evelyn R. Villareal

**geo - logic**

*geotechnical and environmental consulting services*

1140 - 5th Avenue, Crockett, CA 94525

(510) 787-6867 - Fax (510) 787-1457

GL-98-120.P2

November 20, 1998

Mr. Norm Albert  
Berkeley Farms  
2550 Clawiter Road  
Hayward, California

RE: Work Plan/Proposal  
Further Assessment of Groundwater in the vicinity of  
Former Berkeley Farms Dairy Facility  
4550 San Pablo Avenue  
Emeryville, California 94608

Dear Mr. Albert:

Based on the results of the soil and groundwater sampling conducted during tank removals at the subject site, and per the requirements of the Alameda County Department of Environmental Health (ACDEH), Geo-Logic has prepared this workplan/proposal for the installation of two monitoring wells. The purpose of this work is further assess petroleum impacts to groundwater, and to determine the direction of groundwater flow. The soil and groundwater sampling referred to above is summarized in Geo-Logic's reports (GL-98-120.R1/P1 and GL-98-120.R2) dated September 23, 1998, and November 20, 1998, respectively.

**PROPOSED WORK:**

1. Geo-Logic proposes to install two two-inch diameter monitoring wells, designated as MW1 and MW2 on the Site Plan, by the use of hollow-stem auger equipment. Permits will be obtained from the Alameda County Public Works Agency - Water Resources Section prior to beginning work.

The wells will be drilled 10 feet into the saturated zone of the first encountered ground water. Ground water is anticipated at approximately 12 feet below grade, based on the ground water levels encountered during the recent tank removals.

2. Soil samples will be collected at a maximum spacing of 5 foot intervals, at significant changes in lithology, at obvious areas of contamination, and at/or within the soil/ground water interface, beginning at a depth of about 4 to 5 feet below grade. Sample intervals will be chosen so that an accurate profile of the subsurface soil conditions can be determined. Sampling for laboratory analyses and lithologic

logging purposes will continue until the first water table is encountered. A photo-ionization detector will be used to field screen soil samples. Additional sampling for lithologic logging purposes only will continue below the water table to the total depth drilled.

Classification of soil will be done by a registered geologist using the Unified Soils Classification System (USCS). Samples will be collected in a California-modified split-spoon sampler lined with two-inch diameter brass liners. The sampler will be advanced ahead of the drilling augers at designated depths by dropping a 140-lb. hammer 30 inches. Blow counts will be recorded. Samples will be removed from the sampler and retained in the brass liners. The liners will then be sealed with Teflon-lined plastic caps and placed in individually sealed plastic bags. They will then be labeled and stored in a cooler, on crushed ice or "blue ice," for delivery to a state-certified laboratory. Properly executed Chain of Custody documentation will accompany all soil samples.

3. During drilling operations, all soil materials, displaced groundwater, and rinsate will be stored on-site in properly labeled, DOT-approved 55-gallon drums (water), or else covered by visqueen (soil).
4. Finalized Boring Logs will be prepared from the field logs and submitted to the Alameda County Department of Environmental Health (ACDEH).
5. Well Construction:

The well casing will consist of two-inch diameter schedule 40 PVC with flush threaded joints and 0.010 inch factory slots. The screen will extend from the total depth of the well to approximately 5 feet above the depth of the first encountered ground water. Monterey sand (#2/12) will fill the annular space from the total depth to approximately two feet above the perforated casing interval. A 2-foot thick bentonite seal will be placed in the annular space on top of the sand pack. Neat cement grout will be placed on top of the bentonite seal to the surface. A Proposed Well Construction Diagram is attached to this proposal.

The well casings will be secured with a waterproof cap and a padlock. A round, watertight, flush-mounted well cover will be concreted in place over the top of each casing. The elevations of the well casings will be surveyed by a licensed land surveyor to Mean Sea Level and to a vertical accuracy of 0.01 feet.

6. The wells will be developed approximately one week after well completion. Prior to development, the wells will be checked for depth to the water table using an electronic sounder, and for the presence of free product using an interface probe or paste tape. After recording the monitoring data, the wells will be developed by the use of a surge block and a pump. Effluent generated during well development will be contained in DOT-approved drums and hauled from the site by a licensed hazardous materials hauler.

7. Ground Water Sampling:

The wells will be sampled at least 72 hours after development. Prior to sampling, the wells will be checked for free product using an interface probe or paste tape. The wells will also be checked for the presence of a sheen.

The wells will then be purged using a pump or bailer of a minimum of four casing volumes. Once the field parameters are observed to stabilize and a minimum of approximately four casing volumes have been removed from each well, water samples will then be collected by the use of a clean Teflon bailer, and promptly decanted into 40 ml VOA vials and/or one-liter amber bottles, as appropriate. The vials and/or bottles will be sealed with Teflon-lined screw caps, labeled, and stored, on ice, for delivery to a state-certified laboratory. The sampling bailer will be cleaned with non-phosphate soap and clean water rinses between uses. Properly executed Chain of Custody documentation will accompany all water samples.

8. Laboratory Analyses:

Water and selected soil samples will be analyzed by Sequoia Analytical Laboratory, a state-certified laboratory, for total petroleum hydrocarbons (TPH) as gasoline by EPA method 5030/modified 8015, TPH as diesel by EPA methods 3510/modified 8015 (water) and 3550/modified 8015 (soil), and benzene, toluene, ethylbenzene, and xylenes (BTEX) and methyl tert butyl ether (MTBE) by EPA method 8020.

These analyses are as recommended by the RWQCB, and as specified in the Tri-regional guidelines. The analytical results will be presented in tabular form, showing the sample depths and results. The analytical results will be used to delineate the vertical and lateral extent of the contaminants in soil and ground water.

9. Hydrology:

The ground water flow direction and ground water gradient will be determined from the water level elevations measured in each monitoring well. Monitoring and sampling will be conducted on the same schedule as the three existing wells at the adjacent former Berkeley Farms site to the west (4575 San Pablo Avenue). The ground water flow direction derived from the water levels will be shown on the Site Plan.

10. Conclusions:

Conclusions and results of this work will be described in a technical report. The technical report will be submitted to the ACDEH.

LIMITATIONS

Soil deposits and rock formations may vary in thickness, lithology, saturation, strength and other properties across any site. In addition, environmental changes, either naturally-occurring or artificially-induced, may cause changes in the extent and concentration of any contaminants. Our studies assume that the field and laboratory data are reasonably representative of the site as a whole, and assume that subsurface conditions are reasonably conducive to interpolation and extrapolation.

The results of this study will be based on the data obtained from the field and laboratory analyses obtained from a state-certified laboratory. We will analyze this data using what we believe to be currently applicable engineering techniques and principles in the Northern California region. We make no warranty, either expressed or implied, regarding the above, including laboratory analyses, except that our services have been performed in accordance with generally accepted professional principles and practices existing for such work.

Geo-Logic  
GL-98-120.P2  
November 20, 1998  
Page 5

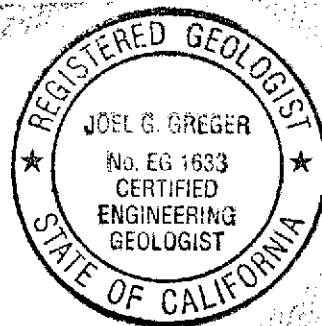
If you have any questions regarding this work plan/proposal, please do not hesitate to call me at (510) 787-6867.

Sincerely,

Geo-Logic

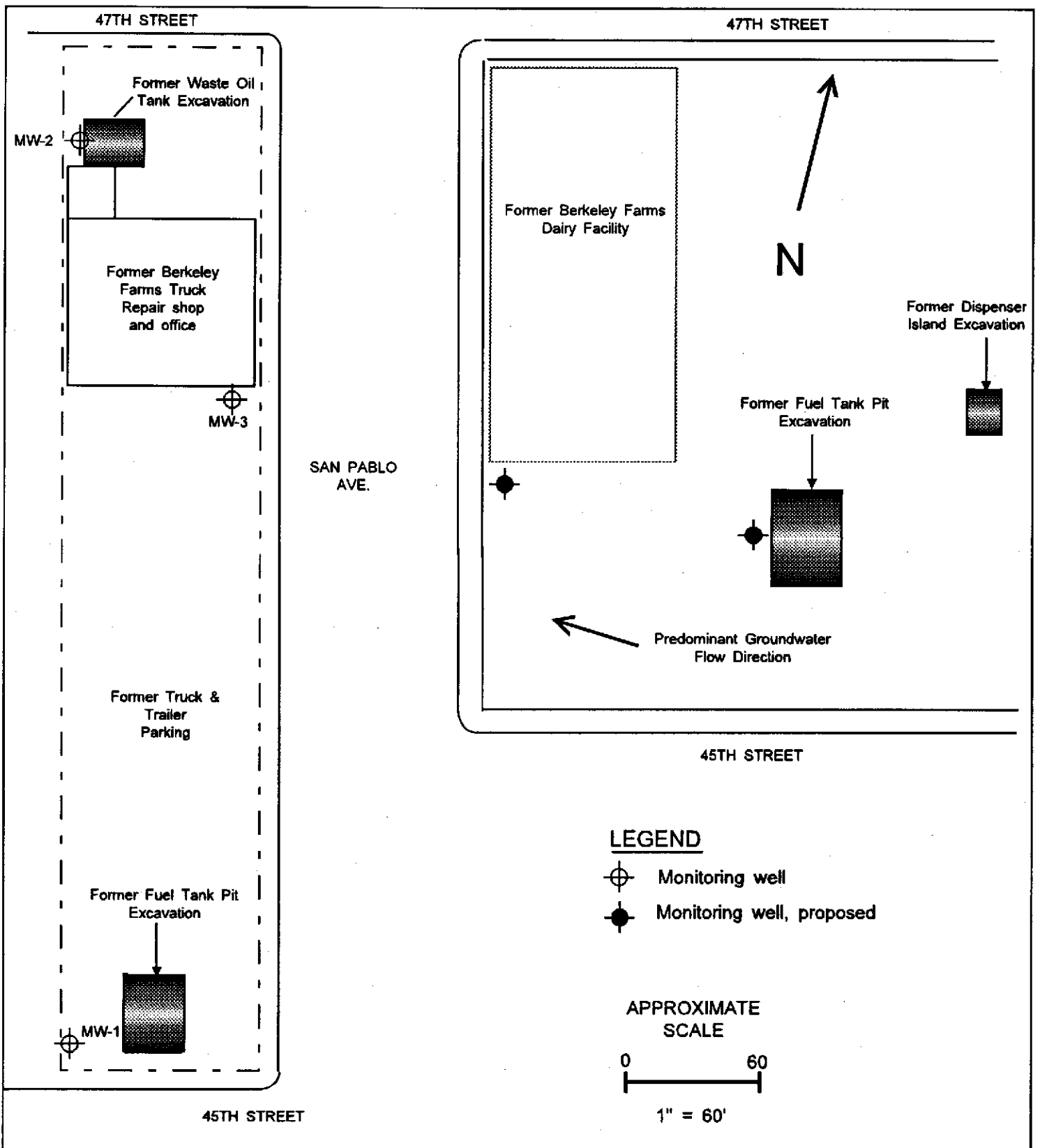


Joel G. Greger, C.E.G.  
Certified Engineering Geologist



License No. EG 1633  
Exp. Date 8/31/2000

Attachments: Site Plan - Figure 1  
Proposed Well Construction Diagram

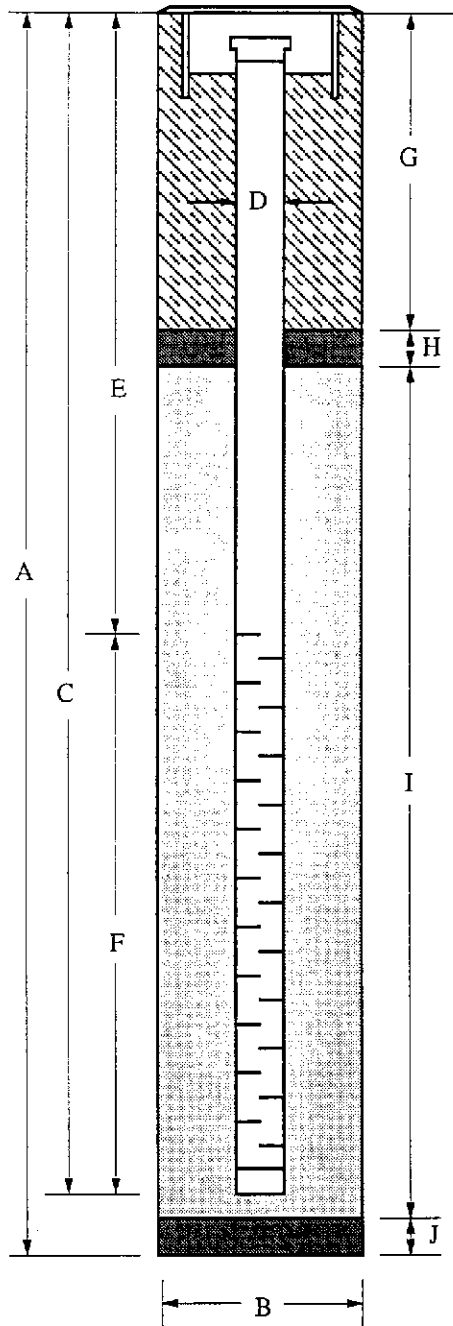


Former Berkeley Farms Dairy Facility 4550 San Pablo Avenue Emeryville, California	Figure No:  <b>1</b>	Date: November 20, 1998
		Drawn By: JG/Geo-Logic

# Site Plan

## PROPOSED WELL CONSTRUCTION DIAGRAM

Flush-mounted Well Cover

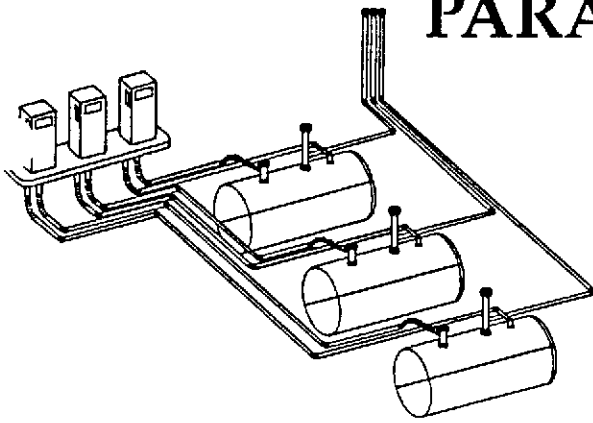


### WELL DETAILS\*

1. Well will be terminated 10 feet into the first encountered ground water, unless an aquitard five feet or greater in thickness is encountered below the water table, in which case drilling will be halted and the well will be constructed so as to terminate within the aquitard [A].
2. Boring diameter [B] is 8 inches for 2 inch wells, 10 inches for 4 inch wells, and 12 inches for 6 inch wells.
3. Perforated interval [F] will extend from bottom of casing to five feet above the first encountered ground water table (unless water <5 feet deep).
4. Schedule 40 PVC casing, 2 inch in diameter [D], will be used. Screen is 0.020 or 0.010 inch factory machined slots, depending on filter pack grain size.
5. Filter pack will be placed from bottom of casing to two feet above perforated interval [I]. (Bottom seal [J] is not installed unless required.) One to two feet of bentonite [H] will be placed above the filter pack. Concrete grout [G] will be placed from top of bentonite seal to the surface (unless modified due to shallow water). Blank casing [E] will extend from the top of the perforated casing to the top of the hole.
6. The well will be installed with a waterproof cap, padlock and a flush-mounted well cover.

\* See text for additional information.





# PARADISO MECHANICAL, INC.

GENERAL & PETROLEUM CONTRACTORS  
and ENVIRONMENTAL SERVICES

P.O. BOX 1836  
2600 WILLIAMS STREET  
SAN LEANDRO, CA 94577

LICENSE NO. 677909  
PHONE (510) 614-8390  
FAX (510) 614-8396

**BERKELEY FARMS  
4550 SAN PABLO AVENUE  
EMERYVILLE, CA**

**JOB #1094**

**TANK CLOSURE**

30234391  
 GENERATOR  
 IN CASE OF EMERGENCY OR SPILL, CALL THE NATIONAL RESPONSE CENTER 1-800-424-8802; WITHIN CALIFORNIA, CALL 1-800-852-7555

<b>UNIFORM HAZARDOUS WASTE MANIFEST</b>		1. Generator's US EPA ID No. <b>CAD983622507</b>		Manifest Document No. <b>74080</b>		2. Page 1 <b>1 of 1</b>		Information in the shaded areas is not required by Federal law.					
3. Generator's Name and Mailing Address <b>BERKIE FARMS 25500 KLAWITER RD. HAYWARD, CA 94545</b>				6. US EPA ID Number <b>CAD982484370</b>		A. State Manifest Document Number <b>98234591</b>		B. State Generator's ID					
4. Generator's Phone <b>(510) 265-8650</b>				5. Transporter 1 Company Name <b>TRIDENT TRUCKLINES</b>		C. State Transporter's ID		D. Transporter's Phone <b>(510)783-2881</b>					
7. Transporter 2 Company Name				8. US EPA ID Number		E. State Transporter's ID		F. Transporter's Phone					
9. Designated Facility Name and Site Address <b>ERICKSON INC. 255 PARR BLVD RICHMOND, CA 94801</b>				10. US EPA ID Number <b>CAD009466392</b>		G. State Facility's ID <b>CAD009466392</b>		H. Facility's Phone <b>510-235-1393</b>					
11. US DOT Description (including Proper Shipping Name, Hazard Class, and ID Number)						12. Containers No. Type		13. Total Quantity		14. Unit Wt/Vol		1. Waste Number	
WASTE EMPTY STORAGE TANK Non-RCRA hazardous waste solid						002 TP		20000		P		State 512 EPA/Other NONE	
b.												State EPA/Other	
c.												State EPA/Other	
d.												State EPA/Other	
J. Additional Descriptions for Materials Listed Above QTY: <u>2</u> EMPTY STORAGE TANK(S) # <u>23838-39</u> TANK(S) HAVE BEEN INERTED WITH 15 LBS DRY ICE PER 1000 GALLONS CAPACITY.						K. Handling Codes for Wastes Listed Above a. <u>01</u> b. c. d.							
Special Handling Instructions and Additional Information: <b>Wear appropriate protective clothing when handling. SITE LOCATION:                  24 Hour Emergency Telephone Number: 570 265-8650                  24 Hour Emergency Contact: NORM ALBERTS</b>													
16. GENERATOR'S CERTIFICATION: I hereby declare that the contents of this consignment are fully and accurately described above by proper shipping name and are classified, packed, marked, and labeled, and are in all respects in proper condition for transport by highway according to applicable international and national government regulations.  If I am a large quantity generator, I certify that I have a program in place to reduce the volume and toxicity of waste generated to the degree I have determined to be economically practicable and that I have selected the practicable method of treatment, storage, or disposal currently available to me which minimizes the present and future threat to human health and the environment; OR, if I am a small quantity generator, I have made a good faith effort to minimize my waste generation and select the best waste management method that is available to me and that I can afford.													
Printed/Typed Name <b>mark Frerks</b>				Signature <i>Mark Frerks</i>				Month <b>09</b>		Day <b>11</b>		Year <b>98</b>	
17. Transporter 1 Acknowledgement of Receipt of Materials Printed/Typed Name <b>Bob Samms</b>				Signature <i>Bob Samms</i>				Month <b>09</b>		Day <b>11</b>		Year <b>98</b>	
18. Transporter 2 Acknowledgement of Receipt of Materials Printed/Typed Name				Signature				Month		Day		Year	
19. Discrepancy Indication Space													
20. Facility Owner or Operator Certification of receipt of hazardous materials covered by this manifest except as noted in item 19.													
Printed/Typed Name <b>DAVID SATO</b>				Signature <i>DAVID SATO</i>				Month <b>09</b>		Day <b>11</b>		Year <b>98</b>	

DO NOT WRITE BELOW THIS LINE.

DAY OR NIGHT  
TELEPHONE  
(510) 235-1393

CERTIFICATE  
CERTIFIED SERVICES COMPANY

255 Parr Boulevard • Richmond, California 94801

NO. 29032

CUSTOMER

JOB NO. 974080  
PARADISO CONST.

FOR: ERICKSON, INC. TANK NO. 23838

LOCATION: RICHMOND, CA DATE: 9/14/98 TIME: 10:53:26

TEST METHOD VISUAL GASTECH/1314 SMPN LAST PRODUCT DIESEL

This is to certify that I have personally determined that this tank is in accordance with the American Petroleum Institute and have found the condition to be in accordance with its assigned designation. This certificate is based on conditions existing at the time the inspection herein set forth was completed and is issued subject to compliance with all qualifications and instructions.

TANK SIZE 10,000 GALLON TANK CONDITION SAFE FOR FIRE

REMARKS: OXYGEN 20.9% LOWER EXPLOSIVE LIMIT LESS THAN 0.1% ERICKSON, INC. HERBY CERTIFIES THAT THE  
ABOVE NUMBERED TANK HAS BEEN CUT OPEN, PROCESSED, AND THEREFORE DESTROYED AT OUR  
PERMITTED HAZARDOUS WASTE FACILITY.  
ERICKSON, INC. HAS THE APROPRIATE PERMITS FOR, AND HAS ACCEPTED THE TANK SHIPPED TO US  
FOR PROCESSING.

In the event of any physical or atmospheric changes affecting the gas-free conditions of the above tanks, or if in any doubt, immediately stop all hot work and contact the undersigned. This permit is valid for 24 hours if no physical or atmospheric changes occur.

**STANDARD SAFETY DESIGNATION**

**SAFE FOR MEN:** Means that in the compartment or space so designated (a) The oxygen content of the atmosphere is at least 19.5 percent by volume; and that (b) Toxic materials in the atmosphere are within permissible concentrations; and (c) In the judgment of the Inspector, the residues are not capable of producing toxic materials under existing atmospheric conditions while maintained as directed on the Inspector's certificate.

**SAFE FOR FIRE:** Means that in the compartment so designated (a) The concentration of flammable materials in the atmosphere is below 10 percent of the lower explosive limit; and that (b) In the judgment of the Inspector, the residues are not capable of producing a higher concentration that permitted under existing atmospheric conditions in the presence of fire and while maintained as directed on the Inspector's certificate, and further, (c) All adjacent spaces have either been cleaned sufficiently to prevent the spread of fire, are satisfactorily inerted, or in the case of fuel tanks, have been treated as deemed necessary by the Inspector.

The undersigned representative acknowledges receipt of this certificate and understands the conditions and limitations under which it was issued.

[Signature]  
REPRESENTATIVE

TITLE

[Signature]  
INSPECTOR

CERTIFICATE  
CERTIFIED SERVICES COMPANY  
255 Parr Boulevard • Richmond, California 94801

NO. 2903

CUSTOMER  
JOB NO. 974080  
PARADISO CONST.

FOR: ERICKSON, INC. TANK NO. 23839

LOCATION: RICHMOND, CA DATE: 9/22/98 TIME: 10:39:57

TEST METHOD VISUAL GASTECH/1314 SMPN LAST PRODUCT UG

This is to certify that I have personally determined that this tank is in accordance with the American Petroleum Institute and have found the condition to be in accordance with its assigned designation. This certificate is based on conditions existing at the time the inspection herein set forth was completed and is issued subject to compliance with all qualifications and instructions.

TANK SIZE 10,000 GALLON TANK CONDITION SAFE FOR FIRE

REMARKS: OXYGEN 20.9% LOWER EXPLOSIVE LIMIT LESS THAN 0.1% ERICKSON, INC. HERBY CERTIFIES THAT THE ABOVE NUMBERED TANK HAS BEEN CUT OPEN, PROCESSED, AND THEREFORE DESTROYED AT OUR PERMITTED HAZARDOUS WASTE FACILITY. ERICKSON, INC. HAS THE APROPRIATE PERMITS FOR, AND HAS ACCEPTED THE TANK SHIPPED TO US FOR PROCESSING.

In the event of any physical or atmospheric changes affecting the gas-free conditions of the above tanks, or if in any doubt, immediately stop all hot work and contact the undersigned. This permit is valid for 24 hours if no physical or atmospheric changes occur.

**STANDARD SAFETY DESIGNATION**

**SAFE FOR MEN:** Means that in the compartment or space so designated (a) The oxygen content of the atmosphere is at least 19.5 percent by volume; and that (b) Toxic materials in the atmosphere are within permissible concentrations; and (c) In the judgment of the Inspector, the residues are not capable of producing toxic materials under existing atmospheric conditions while maintained as directed on the Inspector's certificate.

**SAFE FOR FIRE:** Means that in the compartment so designated (a) The concentration of flammable materials in the atmosphere is below 10 percent of the lower explosive limit; and that (b) In the judgment of the Inspector, the residues are not capable of producing a higher concentration that permitted under existing atmospheric conditions in the presence of fire and while maintained as directed on the Inspector's certificate, and further, (c) All adjacent spaces have either been cleaned sufficiently to prevent the spread of fire, are satisfactorily inerted, or in the case of fuel tanks, have been treated as deemed necessary by the Inspector.

The undersigned representative acknowledges receipt of this certificate and understands the conditions and limitations under which it was issued.

Tatnci Celli  
REPRESENTATIVE

TITLE

Dave Jato  
INSPECTOR



# CLEARWATER

## ENVIRONMENTAL MANAGEMENT, INC.

P.O. Box 7420 Fremont, CA 94537-7420

(800) 499-3676 Fax (510) 744-9341

CAR000007013

SEP 1 1998

T+M

Bill of Lading

Invoice #

9338

Date 9-9-98

MECHANICAL, INC.

### BILLING INFORMATION

### JOB SITE

CK E.V.M.

NAME <u>Paradiso Mechanical</u>			NAME <u>Bentley Farms</u>			PO# <u>1094</u>	CASH	CHECK
ADDRESS <u>PO Box 1836</u>			ADDRESS <u>4550 San Pablo Ave</u>			CUSTOMER EPA ID #		
CITY <u>SAN LEANDRO</u>	STATE <u>CA</u>	ZIP <u>94577</u>	CITY <u>EMERYVILLE</u>	STATE <u>CA</u>	ZIP	PROFILE #		
PHONE NO. <u>(510) 614 8390</u>			PHONE NO.			CUSTOMER ID NO:		

PRODUCT	PROPER SHIPPING DESCRIPTION	WASTE CODE	MANIFEST NUMBER	QUANTITY	UNITS	PRICE	AMOUNT
Used Oil, Non-RCRA Hazardous Waste, Liquid		221			GAL.		
Used Automotive Antifreeze, Non-RCRA Hazardous Waste, Liquid		134			GAL.		
Oily Water Non RCRA Hazardous Waste Liquid							
GASOLINE LEFT IN TANK PRIOR TO REMOVAL.							
Non RCRA Hazardous Waste Solid Oil Contaminated Debris					GAL.		
Waste Flammable Liquid, n.o.s. UN1993, PG III					GAL.		
Non Hazardous Waste Liquid					GAL.		
Non Hazardous Waste Solid					GAL.		
Transportation Charges					GAL.		
Washout Charges				6	Hours	65.00	390.00
Drained Used Oil Filters					Each		
Empty Drums					Each		
Additional Labor					Each		
Pressure Washer							
Other:							
<u>GASOLINE</u>				390.00		0.50	1900.00

DISPOSAL/RECYCLING FACILITY:	Collection Station	Industrial	Agriculture	Government	Manne	TOTAL
						2290.00

- Alviso Independent Oil  
5002 Archer Street, Alviso, CA  
CAL000161743  
(510) 797-8511
  - McKittrick Waste Treatment Site  
56533 Hwy 58 West, McKittrick, CA  
CAD980636831  
(805) 762-7366
  - Solvent Services, dba Laidlaw  
1021 Bernyessa Road, San Jose, CA  
CA0059494310  
(408) 451-5000
  - JAETS  
1125 Hensley Street, Richmond, CA  
CAT080022148  
(510) 233-8001
  - Seaport Environmental  
675 Seaport Blvd, Redwood City, CA  
CAD000032058  
(415) 364-8154
  - Commercial Filter Recycling  
33210 Western Ave, Union City, CA  
(510) 487-9277
  - DeMenna Kerdoon  
2000 N. Alameda Blvd, Compton, CA  
CAT080013352  
(310) 571-3700
  - Evergreen Oil  
6880 Smith Ave, Newark, CA  
CAD980887418  
(510) 795-4400
- Golden Gate Petroleum  
3575 Pacheco Blvd  
Martinez, CA

I hereby certify that all information submitted herein and all attached documents contain true and accurate descriptions of the waste. All relevant information regarding known or suspected hazards associated with the wastes has been disclosed. Clearwater transports all wastes to facilities which are properly permitted and licensed to accept these wastes.

DRIVER  
SIGNATURE [Signature]

GENERATOR  
SIGNATURE [Signature]



**CLEARWATER**  
ENVIRONMENTAL MANAGEMENT, INC.

P.O. Box 7420 Fremont, CA 94537-7420  
(800) 499-3676 Fax (510) 744-9341  
CAR000007013

WED 9/9/98

Bill of Lading **T+M**  
Invoice # **9337**  
Date **9-9-98**

**BILLING INFORMATION**

JOB SITE **OK E.V.M**

NAME <b>Paradiso Mechanical</b>	NAME <b>Berkley Farms</b>	PO # <b>1094</b>	CASH	CHECK
ADDRESS <b>PO Box 1836</b>	ADDRESS <b>7550 San Pablo Ave</b>	CUSTOMER EPA ID # <b>CA093362250</b>		
CITY <b>San Leandro CA</b>	STATE <b>CA</b>	ZIP <b>94577</b>	CITY <b>Emeryville CA</b>	STATE <b>CA</b>
PHONE NO. <b>(510) 44 8390</b>	PHONE NO. <b>( )</b>	CUSTOMER ID NO:		

PRODUCT	PROPER SHIPPING DESCRIPTION	WASTE CODE	MANIFEST NUMBER	QUANTITY	UNITS	PRICE	AMOUNT
Used Oil, Non-RCRA Hazardous Waste, Liquid		221					
Used Automotive Antifreeze, Non-RCRA Hazardous Waste, Liquid		134	DIESEL LEFT IN TANK PRIOR TO REMOVAL.				
Oily Water Non RCRA Hazardous Waste Liquid		223	98197850	900	GAL.	.65	585.00
Non RCRA Hazardous Waste Solid					GAL.		
Oil Contaminated Debris					GAL.		
Waste Flammable Liquid, n.o.s.					GAL.		
UN1993, PG III					GAL.		
Non Hazardous Waste Liquid					GAL.		
Non Hazardous Waste Solid					GAL.		
Transportation Charges				3.5	Hours	65.	227.50
Washout Charges					Each		
Drained Used Oil Filters					Each		
Empty Drums					Each		
Additional Labor							
Pressure Washer							
Other:							

**DISPOSAL/RECYCLING FACILITY:**

Collection Station Industrial Agriculture Government Marine

**TOTAL**

**812.50**

<input type="checkbox"/> Alviso Independent Oil 5002 Archer Street, Alviso, CA CAL000161743 (510) 797-8511	<input type="checkbox"/> McKittrick Waste Treatment Site 56533 Hwy 58 West, McKittrick, CA CAD980636831 (805) 762-7366	<input type="checkbox"/> Solvent Services, dba Laidlaw 1021 Berryessa Road, San Jose, CA CAD059494310 (408) 451-5000
<input type="checkbox"/> AETS 1125 Hensley Street, Richmond, CA CAT080022148 (510) 233-8001	<input type="checkbox"/> Seaport Environmental 675 Seaport Blvd, Redwood City, CA CAD000032058 (415) 384-8154	<input type="checkbox"/> Commercial Filter Recycling 33210 Western Ave, Union City, CA (510) 487-9277
<input type="checkbox"/> DeMenno Kerdoon 2000 N. Alameda Blvd, Compton, CA CAT080013352 (310) 571-3700	<input type="checkbox"/> Evergreen Oil 8880 Smith Ave, Newark, CA CAD980887418 (510) 795-4400	

NET 10 DAYS

I hereby certify that all information submitted in this and all attached documents contain true and accurate descriptions of the waste. All relevant information regarding known or suspected hazards associated with the wastes has been disclosed. Clearwater transports all wastes to facilities which are properly permitted and licensed to accept these wastes.

DRIVER  
SIGNATURE

GENERATOR  
SIGNATURE

IN CASE OF EMERGENCY OR SPILL, CALL THE NATIONAL RESOURCES CENTER FOR EMERGENCY RESPONSE AT 1-800-424-8802. WITHIN CALIFORNIA, CALL 1-800-852-7550.

<b>UNIFORM HAZARDOUS WASTE MANIFEST</b>		1. Generator's US EPA ID No. <b>CAD983622507978510</b>	Manifest Document No.	2. Page 1 of 1	Information in the shaded areas is not required by Federal law.
3. Generator's Name and Mailing Address <b>Berkley Farms 2550 CLAWITOR ROAD, Hayward, CA 94545 ATTN: Norm Roberts</b>					
4. Generator's Phone <b>570 265-8600</b>					
5. Transporter 1 Company Name <b>CLEARWATER ENVIRONMENTAL</b>			6. US EPA ID Number <b>CAR000007013</b>		
7. Transporter 2 Company Name			8. US EPA ID Number		
9. Disposer Name and Address <b>ALVISO INDEPENDENT OIL 5002 ARCHER STREET ALVISO, CA 95002</b>			10. US EPA ID Number <b>CAL000161743</b>		

11. US DOT Description (including Proper Shipping Name, Hazard Class, and ID Number)	12. Containers		13. Total Quantity	14. Unit Wt/Vol
	No.	Type		
a. <b>1 oily water Non-RCRA Hazardous Waste Liquid</b>	<b>001</b>	<b>T T</b>	<b>0.8900</b>	<b>G</b>
b.				
c.				
d.				

15. **SWEAR HERE** Instructions and Additional Information  
 Emergency Contact: (510) 797-8511 Attn: Kirk Hayward  
 ERG # 171  
 site 4550 San Pablo Ave  
 Emeryville, CA

16. GENERATOR'S CERTIFICATION: I hereby declare that the contents of this consignment are fully and accurately described above by proper shipping name and are classified, packed, marked, and labeled, and are in all respects in proper condition for transport by highway according to applicable international and national government regulations.

If I am a large quantity generator, I certify that I have a program in place to reduce the volume and toxicity of waste generated to the degree I have determined to be economically practicable and that I have selected the practicable method of treatment, storage, or disposal currently available to me which minimizes the present and future threat to human health and the environment; OR, if I am a small quantity generator, I have made a good faith effort to minimize my waste generation and select the best waste management method that is available to me and that I can afford.

Printed/Typed Name <b>Mark Freitas</b>	Signature <i>Mark Freitas</i>	Month Day Year <b>09 09 98</b>
17. Transporter 1 Acknowledgement of Receipt of Materials Printed/Typed Name <b>STEVEN R. STONE</b>	Signature <i>Steven R. Stone</i>	Month Day Year <b>09 09 98</b>
18. Transporter 2 Acknowledgement of Receipt of Materials Printed/Typed Name	Signature	Month Day Year

19. Discrepancy Indication Space

20. Facility Owner or Operator Certification of receipt of hazardous materials covered by this manifest except as noted in Item 19. Printed/Typed Name <b>Vicky Stone</b>	Signature <i>Vicky Stone</i>	Month Day Year <b>09 09 98</b>
---	---------------------------------	-----------------------------------

DO NOT WRITE BELOW THIS LINE.



# CLEARWATER

## ENVIRONMENTAL MANAGEMENT, INC.

P.O. Box 7420 Fremont, CA 94537-7420

(800) 499-3676 Fax (510) 744-9341

CAR000007013

1998

ck EVM

Bill of Lading

Invoice #

T+M

9384

Date

9-10-98

### BILLING INFORMATION

### JOB SITE

NAME: <u>Hazardous Remedial</u>			NAME: <u>Berkley Farms</u>			PO #	CASH	CHECK
ADDRESS: <u>PO Box 1836</u>			ADDRESS: <u>4530 San Pablo Ave</u>			1094		
CITY: <u>San Leandro</u>	STATE: <u>CA</u>	ZIP: <u>94577</u>	CITY: <u>Emeryville</u>	STATE: <u>CA</u>	ZIP: <u></u>	CUSTOMER EPA ID # <u>CAD573367250</u>		
PHONE NO. (510) <u>614-8398</u>			PHONE NO. <u>1</u>			PROFILE #		
PRODUCT			WASTE			CUSTOMER ID NO:		

SHIPPING DESCRIPTION	WASTE CODE	MANIFEST NUMBER	QUANTITY	UNITS	PRICE	AMOUNT
Used Oil, Non-RCRA Hazardous Waste, Liquid	221			GAL.		
Used Automotive Antifreeze, Non-RCRA Hazardous Waste, Liquid	134			GAL.		
Oily Water Non RCRA Hazardous Waste Liquid	223	98197842	650	GAL.	.65	422.50
Non RCRA Hazardous Waste Solid Oil Contaminated Debris		FINAL RINSE WATER LEFT IN TANKS PRIOR TO REMOVAL.				
Waste Flammable Liquid, n.o.s. UN1993, PG III						
Non Hazardous Waste Liquid						
Non Hazardous Waste Solid						
Transportation Charges			3	Hours	.65	195.00
Washout Charges				Each		
Drained Used Oil Filters				Each		
Empty Drums				Each		
Additional Labor						
Pressure Washer						
Other:						

### DISPOSAL/RECYCLING FACILITY:

Collection Station	Industrial	Agriculture	Government	Marine
--------------------	------------	-------------	------------	--------

TOTAL

617.50

NET 10 DAYS

Alviso Independent Oil  
5002 Archer Street: Alviso, CA  
CAL000161743  
(510) 797-8511

McKittrick Waste Treatment Site  
56533 Hwy 58 West: McKittrick, CA  
CAD980636831  
(805) 762-7366

Solvent Services, dba Laidlaw  
1021 Berryessa Road: San Jose, CA  
CAD059494310  
(408) 451-3000

AETS  
1125 Hensley Street: Richmond, CA  
CAT080022148  
(510) 233-8001

Seaport Environmental  
675 Seaport Blvd: Redwood City, CA  
CAD000032058  
(415) 384-8154

Commercial Filter Recycling  
33210 Western Ave: Union City, CA  
(510) 487-9277

DeMenno Kardon  
2000 N. Alameda Blvd: Compton, CA  
CAT080013352  
(310) 571-3700

Evergreen Oil  
5880 Smith Ave: Newark, CA  
CAD980887418  
(510) 795-4400

I hereby certify that all information submitted in this and all attached documents contain true and accurate descriptions of the waste. All relevant information regarding known or suspected hazards associated with the wastes has been disclosed. Clearwater transports all wastes to facilities which are properly permitted and licensed to accept these wastes.

DRIVER

SIGNATURE

GENERATOR

SIGNATURE



IN CASE OF EMERGENCY OR SPILL, CALL THE NATIONAL RESPONSE CENTER 1-800-424-8802. WITHIN CALIFORNIA, CALL 1-800-852-7275

<b>UNIFORM HAZARDOUS WASTE MANIFEST</b>		1. Generator's US EPA ID No. <b>CAD983622507</b>		Manifest Document No. <b>97842</b>		2. Page 1 of 1		Information in the shaded areas is not required by Federal law.	
3. Generator's Name and Mailing Address <b>Berkeley Farms ATTN: NORM ALBERTS 25500 CRAWFORD ROAD, Hayward, CA 94545</b>				4. Generator's Phone <b>(570) 265 8600</b>		5. Facility Name <b>CLEARWATER ENVIRONMENTAL</b>		6. US EPA ID Number <b>CAR000007013</b>	
7. Transporter 2 Company Name				8. US EPA ID Number		9. Date of Receipt <b>09/10/98</b>		10. US EPA ID Number <b>CAL000161743</b>	
9. Date of Receipt and Site Address <b>ALVISO INDEPENDENT OIL 5002 ARCHER STREET ALVISO, CA 95002</b>				10. US EPA ID Number <b>CAL000161743</b>		11. US DOT Description (including Proper Shipping Name, Hazard Class, and ID Number) <b>9 Dily WATER Non-RCRA Hazardous Waste Liquid</b>		12. Containers No. Type <b>0 0 1 T T</b>	
						13. Total Quantity <b>0.6650</b>		14. Unit <b>G</b>	
J. Additional Descriptions for Materials Listed Above				K. Handling Codes for Wastes Listed Above <b>14</b>		15. Emergency Instructions and Additional Information <b>Emergency Contact: (510) 797-8511 Attn: Kirk Hayward ERG #</b>			
						<b>Site 4550 San Pablo Blvd Emeryville CA</b>			
16. GENERATOR'S CERTIFICATION: I hereby declare that the contents of this consignment are fully and accurately described above by proper shipping name and are classified, packed, marked, and labeled, and are in all respects in proper condition for transport by highway according to applicable international and national government regulations.									
If I am a large quantity generator, I certify that I have a program in place to reduce the volume and toxicity of waste generated to the degree I have determined to be economically practicable and that I have selected the practicable method of treatment, storage, or disposal currently available to me which minimizes the present and future threat to human health and the environment; OR, if I am a small quantity generator, I have made a good faith effort to minimize my waste generation and select the best waste management method that is available to me and that I can afford.									
Printed/Typed Name <b>Mark Enlites</b>				Signature <i>Mark Enlites</i>		Month Day Year <b>09/10/98</b>		17. Transporter 1 Acknowledgement of Receipt of Materials	
Printed/Typed Name <b>STEVEN K. STONE</b>				Signature <i>Steven K. Stone</i>		Month Day Year <b>09/10/98</b>		18. Transporter 2 Acknowledgement of Receipt of Materials	
Printed/Typed Name				Signature		Month Day Year		19. Discrepancy Indication Space	
Printed/Typed Name <b>Vicky Stone</b>				Signature <i>Vicky Stone</i>		Month Day Year <b>09/10/98</b>		20. Facility Owner or Operator Certification of receipt of hazardous materials covered by this manifest except as noted in Item 19.	

DO NOT WRITE BELOW THIS LINE.



# CLEARWATER

ENVIRONMENTAL MANAGEMENT, INC.

P.O. Box 7420 Fremont, CA 94537-7420  
(800) 499-3678 Fax (510) 744-9341  
CAR000007013

10942

Bill of Lading

Invoice #

9681

Date

10-1-98

355

### BILLING INFORMATION

### JOB SITE

NAME <i>Paradiso Mechanical</i>			NAME <i>Berkeley Farms</i>			PO #	CASH	CHECK
ADDRESS <i>P.O. Box 1836</i>			ADDRESS <i>4550 San Pablo Ave</i>			CUSTOMER EPA ID # <i>CAD983622507</i>		
CITY <i>San Leandro</i>	STATE <i>CA</i>	ZIP <i>94577</i>	CITY <i>Emeryville</i>	STATE <i>CA</i>	ZIP	PROFILE #		
PHONE NO. <i>(510) 614-8390</i>			PHONE NO. ( )			CUSTOMER ID NO:		

PRODUCT	PROPER SHIPPING DESCRIPTION	WASTE CODE	MANIFEST NUMBER	QUANTITY	UNITS	PRICE	AMOUNT
Used Oil, Non-RCRA Hazardous Waste, Liquid		221					
Used Automotive Antifreeze, Non-RCRA Hazardous Waste, Liquid		134					
Oily Water Non RCRA Hazardous Waste Liquid		223	98197279	200	GAL.	9.65	130.00
Non RCRA Hazardous Waste Solid, Oil Contaminated Debris					GAL.		
aste Flammable Liquid, n.o.s.					GAL.		
UN1993, PG III					GAL.		
Non Hazardous Waste Liquid					GAL.		
Non Hazardous Waste Solid					GAL.		
Transportation Charges				3	Hours	65.00	195.00
Washout Charges					Each		
Drained Used Oil Filters					Each		
Empty Drums					Each		
Additional Labor							
Pressure Washer							
Other:							

DISPOSAL/RECYCLING FACILITY:						TOTAL	325.00
Collection Station	Industrial	Agriculture	Government	Marine			

- Alviso Independent Oil**  
5002 Archer Street, Alviso, CA  
CAL000181743  
(510) 797-8511
- McKittrick Waste Treatment Site**  
56533 Hwy 58 West, McKittrick, CA  
CAD980638831  
(805) 762-7368
- Solvent Services, dba Laidlaw**  
1021 Berryessa Road, San Jose, CA  
CAD059494310  
(408) 451-5000
- AETS**  
1125 Hensley Street, Richmond, CA  
CAT080022148  
(510) 233-8001
- Seaport Environmental**  
675 Seaport Blvd, Redwood City, CA  
CAD000032058  
(415) 364-8154
- Commercial Filter Recycling**  
33210 Western Ave, Union City, CA  
(510) 487-9277
- DeMenno Kerdoon**  
2000 N. Alameda Blvd, Compton, CA  
CAT080013352  
(310) 571-3700
- Evergreen Oil**  
6880 Smith Ave, Newark, CA  
CAD980887418  
(510) 795-4400

ENTERED OCT 13 1998

NET 10 DAYS

I hereby certify that all information submitted in this and all attached documents contain true and accurate descriptions of the waste. All relevant information regarding known or suspected hazards associated with the wastes has been disclosed. Clearwater transports all wastes to facilities which are properly permitted and licensed to accept these wastes.

DRIVER: Chris Raker  
SIGNATURE

GENERATOR: Met [Signature]  
SIGNATURE

98197279

IN CASE OF EMERGENCY OR SPILL, CALL THE NATIONAL RESPONSE CENTER 1-800-424-8802; WITHIN CALIFORNIA, CALL 1-800-852-7550

GENERATOR

TRANSPORTER

FACILITY

**UNIFORM HAZARDOUS WASTE MANIFEST**

1. Generator's US EPA ID No. **CA0919362215079172179**  
 Manifest Document No. \_\_\_\_\_

2. Page 1 of 1  
 Information in the shaded areas is not required by Federal law.

3. Generator's Name and Mailing Address  
**Berkley Farms**  
**4550 S. Palo Alto Ave**  
**Fireville CA**

4. Generator's Phone ( ) \_\_\_\_\_  
**1094**

5. Transporter 1 Company Name  
**CLEARWATER ENVIRONMENTAL**

6. US EPA ID Number  
**CA R 0 0 0 0 0 7 0 1 9**

7. Transporter 2 Company Name \_\_\_\_\_

8. US EPA ID Number  
**3 0 5 2**

9. Designated Facility Name and Site Address  
**ALVISO INDEPENDENT OIL**  
**5002 ARCHER STREET**  
**ALVISO, CA 95002**

10. US EPA ID Number  
**CA L 0 0 0 1 0 1 7 4 3**

11. US DOT Description (including Proper Shipping Name, Hazard Class, and ID Number)  
**Non-FCRA Hazardous Waste Liquid**  
**Oil water**  
**3.5**

12. Containers	13. Total Quantity	14. Unit
001	TT	0.206 G

Additional Precautions to Materials Listed Above

15. Special Handling Instructions and Additional Information  
**WEAR PPE**  
**Emergency Contact: (510) 737-8511 Attn: Kirk Hayward**  
**ERG # 171**

16. GENERATOR'S CERTIFICATION: I hereby declare that the contents of this consignment are fully and accurately described above by proper shipping name and are classified, packed, marked, and labeled, and are in all respects in proper condition for transport by highway according to applicable international and national government regulations.  
 If I am a large quantity generator, I certify that I have a program in place to reduce the volume and toxicity of waste generated to the degree I have determined to be economically practicable and that I have selected the practicable method of treatment, storage, or disposal currently available to me which minimizes the present and future threat to human health and the environment; OR, if I am a small quantity generator, I have made a good faith effort to minimize my waste generation and select the best waste management method that is available to me and that I can afford.

Printed/Typed Name: **Mark Forster**  
 Signature: *Mark Forster*  
 Month: **10** Day: **01** Year: **98**

17. Transporter 1 Acknowledgement of Receipt of Materials  
 Printed/Typed Name: **Chris Rahn**  
 Signature: *Chris Rahn*  
 Month: **10** Day: **01** Year: **98**

18. Transporter 2 Acknowledgement of Receipt of Materials  
 Printed/Typed Name: \_\_\_\_\_  
 Signature: \_\_\_\_\_  
 Month: \_\_\_\_\_ Day: \_\_\_\_\_ Year: \_\_\_\_\_

19. Discrepancy Indication Space

20. Facility Owner or Operator Certification of receipt of hazardous materials covered by this manifest except as noted in Item 19.  
 Printed/Typed Name: \_\_\_\_\_  
 Signature: \_\_\_\_\_  
 Month: \_\_\_\_\_ Day: \_\_\_\_\_ Year: \_\_\_\_\_

DO NOT WRITE BELOW THIS LINE.

Seaport Petroleum Corporation  
 25 North 57th Avenue  
 Phoenix, AZ 85043  
 Phone (602) 269-1605 /Fax (602) 272-4380

# Invoice

DATE	INVOICE NO.
10/01/98	9710943

<b>BILL TO</b>
Paradiso Mechanical P.O. Box 1836 San Leandro, CA 94577

*O.K. E.V.M*  
*P.O. 10943*

P.O. NO.	TERMS	DUE DATE	SHIP DATE	SHIP VIA	FOB	B L NO
Berkely Far	Net 30	10/31/98	10/01/98	ng che...	rwc	801-141
QTY USG	DESCRIPTION				RATE \$/USG	AMOUNT
33,000	Disposal of non-hazardous waste water					
	33,000 GALLONS OF WATER REMOVED FROM HOLE PRIOR TO BACKFILL.					
<b>RECEIVED</b> OCT 05 1998 MECHANICAL, INC.						
					<b>Total</b>	

GENERATOR INFORMATION

Berkeley Farms- KFC Site  
4575 San Pablo Avenue  
Emeryville Ca

CUSTOMER INFORMATION

Paradiso Mechanical  
1 510 614 8390

PO # 1098

DESCRIPTION OF WATER: EXCAVATION DEWATERING  
NON-HAZARDOUS WASTE WATER. MONITORING WELL PURGE WATER AND/OR AUGER RINSATE, TANK RINSATE OR ABOVE  
DESCRIBED WATER. THIS WATER MAY CONTAIN DISSOLVED HYDROCARBONS. I CERTIFY THAT THE ABOVE NAMED MATERIAL  
IS A LIQUID EXEMPT FROM RCRA PER 40 CFR 261.4 (b)(10) AND DOES NOT MEET THE CRITERIA OF HAZARDOUS WASTE AS  
DESCRIBED IN 22 CCR ARTICLE 11 OR ANY OTHER APPLICABLE STATE LAW. HAS BEEN PROPERLY DESCRIBED,  
CLASSIFIED AND PACKAGED AND IS IN PROPER CONDITION FOR TRANSPORTATION ACCORDING TO APPLICABLE  
REGULATIONS.

Berkeley Farms - KFC  
Generator/Authorised Agent

Met Lumb 10-1-98  
Sign date

SITE INFORMATION

4575 San Pablo Avenue  
Emeryville  
Ca

GROSS	
TARE	
NET	
TOTAL GALLONS	500 gal

Calculated at 8.34 lbs per USG

TRANSPORTER INFORMATION

NG Chemical

Truck ID: #11

Driver: Francis A. Greenfield  
Print full name & sign 10-1-98  
date

TIME OUT	
TIME IN	
TIME SPENT	

DISPOSAL FACILITY INFORMATION

Seaport Environmental  
675 Seaport Boulevard  
Redwood City, Ca 94063  
Phone: (650) 364 1024

Approval Number

801-141

Solids %Wt pH

NO 5

Solids Surcharge  
c/USG

Received by: Elvin Agala 10/1/98  
Print full name & sign date

10964

# NON-HAZARDOUS WATER TRANSPORT FORM

98049-2

### GENERATOR INFORMATION

Berkeley Farms- KFC Site  
4575 San Pablo Avenue  
EmeryvilleCa

### CUSTOMER INFORMATION

Paradiso Mechanical  
1 510 614 8390  
PO #

DESCRIPTION OF WATER: EXCAVATION DEWATERING  
NON-HAZARDOUS WASTE WATER. MONITORING WELL PURGE WATER AND/OR AUGER RINSATE, TANK RINSATE OR ABOVE DESCRIBED WATER. THIS WATER MAY CONTAIN DISSOLVED HYDROCARBONS. I CERTIFY THAT THE ABOVE NAMED MATERIAL IS A LIQUID EXEMPT FROM RCRA PER 40 CFR 261.4 (b)(10) AND DOES NOT MEET THE CRITERIA OF HAZARDOUS WASTE AS DESCRIBED IN 22 CCR ARTICLE 11 OR ANY OTHER APPLICABLE STATE LAW, HAS BEEN PROPERLY DESCRIBED, CLASSIFIED AND PACKAGED AND IS IN PROPER CONDITION FOR TRANSPORTATION ACCORDING TO APPLICABLE REGULATIONS.

Berkeley Farms - KFC  
Generator/Authorized Agent

Francis A. Greenlee  
Sign NG Chemical date 10-1-98

### SITE INFORMATION

4575 San Pablo Avenue  
Emeryville  
Ca

GROSS	
TARE	
NET	
TOTAL GALLONS	5000 gal

Calculated at 8.34lbs per USG

### TRANSPORTER INFORMATION

NG Chemical

Truck ID: #11  
Driver: Francis A. Greenlee  
Print full name & sign Francis A. Greenlee date 10-1-98

TH 15 36

TIME OUT	
TIME IN	
TIME SPENT	

### DISPOSAL FACILITY INFORMATION

Seaport Environmental  
675 Seaport Boulevard  
Redwood City, Ca 94063  
Phone: (650) 364 1024

Approval Number

801 - 141

Solids %Wt pH

NO 5

Solids Surcharge  
¢/USG

Received by: Elvin Acosta  
Print full name & sign

10-1-98  
date

1048

# NON-HAZARDOUS WATER TRANSPORT FORM

98049-4

### GENERATOR INFORMATION

Berkeley Farms- KFC Site  
4575 San Pablo Avenue  
EmeryvilleCa

### CUSTOMER INFORMATION

Paradiso Mechanical  
1 510 614 8390  
PO #

DESCRIPTION OF WATER: EXCAVATION DEWATERING  
NON-HAZARDOUS WASTE WATER, MONITORING WELL PURGE WATER AND/OR AUGER RINSATE, TANK RINSATE OR ABOVE DESCRIBED WATER. THIS WATER MAY CONTAIN DISSOLVED HYDROCARBONS. I CERTIFY THAT THE ABOVE NAMED MATERIAL IS A LIQUID EXEMPT FROM RCRA PER 40 CFR 261.4 (b)(10) AND DOES NOT MEET THE CRITERIA OF HAZARDOUS WASTE AS DESCRIBED IN 22 CCR ARTICLE 11 OR ANY OTHER APPLICABLE STATE LAW, HAS BEEN PROPERLY DESCRIBED, CLASSIFIED AND PACKAGED AND IS IN PROPER CONDITION FOR TRANSPORTATION ACCORDING TO APPLICABLE REGULATIONS.

Berkeley Farms - KFC  
Generator/Authorized Agent

Louis A. ...  
Sign Ng Chen date 10-1-98

### SITE INFORMATION

4575 San Pablo Avenue  
Emeryville  
Ca

GROSS	
TARE	
NET	
TOTAL GALLONS	500 gal

Calculated at 8.34lbs per USG

### TRANSPORTER INFORMATION

NG Chemical

Truck ID: #11  
Driver: Fernando ...  
Print full name & sign Louis A. ... date 10-1-98

TIME OUT	
TIME IN	
TIME SPENT	

TH 23 08

### DISPOSAL FACILITY INFORMATION

Seaport Environmental  
675 Seaport Boulevard  
Redwood City, Ca 94063  
Phone: (650) 364 1024

Approval Number

801-141

Solids %Wt pH

7

Solids Surcharge  
c/USG

Received by: [Signature]  
Print full name & sign

10-1-98  
date

NON-HAZARDOUS WATER TRANSPORT FORM

P. 5  
10984

980495

GENERATOR INFORMATION

Berkeley Farms- KFC Site  
4575 San Pablo Avenue  
EmeryvilleCa

CUSTOMER INFORMATION  
Paradiso Mechanical

PO #

DESCRIPTION OF WATER: EXCAVATION DEWATERING  
NON-HAZARDOUS WASTE WATER, MONITORING WELL PURGE WATER AND/OR AUGER RINSATE, TANK RINSATE OR ABOVE  
DESCRIBED WATER. THIS WATER MAY CONTAIN DISSOLVED HYDROCARBONS. I CERTIFY THAT THE ABOVE NAMED MATERIAL  
IS A LIQUID EXEMPT FROM RCRA PER 40 CFR 261.4 (b)(10) AND DOES NOT MEET THE CRITERIA OF HAZARDOUS WASTE AS  
DESCRIBED IN 22 CCR ARTICLE 11 OR ANY OTHER APPLICABLE STATE LAW. HAS BEEN PROPERLY DESCRIBED,  
CLASSIFIED AND PACKAGED AND IS IN PROPER CONDITION FOR TRANSPORTATION ACCORDING TO APPLICABLE  
REGULATIONS.

Berkeley Farms - KFC  
Generator Authorized Agent

Francis A. Greenler  
Sign NG Chemical date 10-1-98

SITE INFORMATION

4575 San Pablo Avenue  
Emeryville  
Ca

GROSS	
TARE	
NET	
TOTAL GALLONS	5000gal

Calculated at 8.34lbs per USG

TRANSPORTER INFORMATION

NG Chemical

Truck ID: #11

Driver: Francis A. Greenler

Print full name & sign 10-1-98  
date

TIME OUT	
TIME IN	
TIME SPENT	

DISPOSAL FACILITY INFORMATION

Seaport Environmental  
675 Seaport Boulevard  
Redwood City, Ca 94063  
Phone: (650) 364 1024

Approval Number

801 - 141

Solids %Wt pH

Solids Surcharge  
€/USG

FR 2 TO

Received by: [Signature]  
Print full name & sign

10-2-98  
date



NON-HAZARDOUS WATER TRANSPORT FORM

1098

980496

GENERATOR INFORMATION

Berkeley Farms- KFC Site  
4575 San Pablo Avenue  
EmeryvilleCa

CUSTOMER INFORMATION

Paradiso Mechanical

PO #

DESCRIPTION OF WATER: EXCAVATION DEWATERING  
NON-HAZARDOUS WASTE WATER, MONITORING WELL PURGE WATER AND/OR AUGER RINSATE, TANK RINSATE OR ABOVE  
DESCRIBED WATER. THIS WATER MAY CONTAIN DISSOLVED HYDROCARBONS. I CERTIFY THAT THE ABOVE NAMED MATERIAL  
IS A LIQUID EXEMPT FROM RCRA PER 40 CFR 261.4 (b)(10) AND DOES NOT MEET THE CRITERIA OF HAZARDOUS WASTE AS  
DESCRIBED IN 22 CCR ARTICLE 11 OR ANY OTHER APPLICABLE STATE LAW, HAS BEEN PROPERLY DESCRIBED,  
CLASSIFIED AND PACKAGED AND IS IN PROPER CONDITION FOR TRANSPORTATION ACCORDING TO APPLICABLE  
REGULATIONS.

Berkeley Farms - KFC  
Generator/Authorized Agent

Francis P. Green  
Sign NG Chemical 10-1-98 date

SITE INFORMATION

4575 San Pablo Avenue  
Emeryville  
Ca

GROSS	
TARE	
NET	
TOTAL GALLONS	5000 gal

Calculated at 8.3406 per USG

TRANSPORTER INFORMATION

NG Chemical

Truck ID: #12 TELL TANKER  
Phanna Sieng  
Driver: Phanna Sieng 10-1-98 date  
Print full name & sign

TIME OUT	
TIME IN	
TIME SPENT	

DISPOSAL FACILITY INFORMATION

Seaport Environmental  
675 Seaport Boulevard  
Redwood City, Ca 94063  
Phone: (650) 364 1024

Approval Number

801 - 141

Solids %Wt pH

[ ] [ 7 ]

Solids Surcharge  
e/USG

TH 35

Received by: Phanna Sieng  
Print full name & sign

10-1-98 date

NON-HAZARDOUS WATER TRANSPORT FORM

950497

GENERATOR INFORMATION

Berkeley Farms- KFC Site  
4575 San Pablo Avenue  
EmeryvilleCa

CUSTOMER INFORMATION

Paradiso Mechanical

PO #

10924

DESCRIPTION OF WATER: EXCAVATION DEWATERING  
NON-HAZARDOUS WASTE WATER, MONITORING WELL PURGE WATER AND/OR AUGER RINSATE, TANK RINSATE OR ABOVE  
DESCRIBED WATER. THIS WATER MAY CONTAIN DISSOLVED HYDROCARBONS. I CERTIFY THAT THE ABOVE NAMED MATERIAL  
IS A LIQUID EXEMPT FROM RCRA PER 40 CFR 261.4 (b)(10) AND DOES NOT MEET THE CRITERIA OF HAZARDOUS WASTE AS  
DESCRIBED IN 22 CCR ARTICLE 11 OR ANY OTHER APPLICABLE STATE LAW, HAS BEEN PROPERLY DESCRIBED,  
CLASSIFIED AND PACKAGED AND IS IN PROPER CONDITION FOR TRANSPORTATION ACCORDING TO APPLICABLE  
REGULATIONS.

Berkeley Farms - KFC  
Generator/Authorized Agent

[Signature]  
Sign NG Chemical date 10-2-98

SITE INFORMATION

4575 San Pablo Avenue  
Emeryville  
Ca

GROSS	
TARE	
NET	
TOTAL GALLONS	3000 gal

Calculated at 8.34lbz per USG

TRANSPORTER INFORMATION

NG Chemical

Truck ID: #12 TEL TANKER

Driver: [Signature]  
Print full name & sign

10-2-98  
date

TIME OUT	
TIME IN	
TIME SPENT	

DISPOSAL FACILITY INFORMATION

Seaport Environmental  
675 Seaport Boulevard  
Redwood City, Ca 94063  
Phone: (650) 364 1024

Approval Number

801-141

Solids %Wt pH

[ ] [ 7 ]

Solids Surcharge  
€/USG

[ ]

Received by: [Signature]  
Print full name & sign

10-2-98  
date

FR 2 36



# CLEARWATER

ENVIRONMENTAL MANAGEMENT, INC.

P.O. Box 7420 Fremont, CA 94537-7420  
(800) 499-3676 Fax (510) 744-9341  
CAR000007013

Bill of Lading

Invoice # 10218

Date Oct 9, 1998

### BILLING INFORMATION

### JOB SITE

NAME <u>Paradiso Mechanical</u>	NAME <u>Berkeley Farms</u>	PPH <u>1004</u>	CASH	CHECK
ADDRESS <u>P.O. Box 1836</u>	ADDRESS <u>San Pablo</u>	CUSTOMER EPA ID #		
CITY <u>San Leandro, CA</u>	STATE <u>CA</u>	ZIP <u>94578</u>	CITY <u>Berkeley, CA</u>	STATE <u>CA</u>
PHONE NO. <u>(510) 614-8390</u>	PHONE NO. ( )	CUSTOMER ID NO.		

PRODUCT	PROPER SHIPPING DESCRIPTION	WASTE CODE	MANIFEST NUMBER	QUANTITY	UNITS	PRICE	AMOUNT
Used Oil, Non-RCRA Hazardous Waste, Liquid		221	<b>RECEIVED</b>  OCT 30 1998  PARADISO MECHANICAL, INC.		GAL.		
Used Automotive Antifreeze, Non-RCRA Hazardous Waste, Liquid		134			GAL.		
Oily Water Non RCRA Hazardous Waste Liquid					GAL.		
Non RCRA Hazardous Waste Solid Oil Contaminated Debris					GAL.		
Waste Flammable Liquid, n.o.s. UN1993, PG III					GAL.		
Non Hazardous Waste Liquid			<u>NH 46314</u>	<u>1400</u>	GAL.		
Non Hazardous Waste Solid					GAL.	<u>65</u>	<u>910.00</u>
Transportation Charges							
Washout Charges							
Drained Used Oil Filters							
Empty Drums							
Additional Labor							
Pressure Washer							<u>975.00</u>
Other:							

FINAL CLEANING OF BAKER TANK PRIOR TO PICK UP.

DISPOSAL/RECYCLING FACILITY:	Collection Station	Industrial	Agriculture	Government	Marine	TOTAL	<u>185.00</u>
------------------------------	--------------------	------------	-------------	------------	--------	-------	---------------

- |   |   |   |
|---|---|---|
| <input type="checkbox"/> Alviso Independent Oil<br>5002 Archer Street; Alviso, CA<br>CAL000161743<br>(510) 797-8511 | <input type="checkbox"/> McKittrick Waste Treatment Site<br>56533 Hwy 58 West; McKittrick, CA<br>CAD980636831<br>(805) 762-7366 | <input type="checkbox"/> Solvent Services, dba Laidlaw<br>1021 Berryessa Road; San Jose, CA<br>CAD059494310<br>(408) 451-5000 |
| <input type="checkbox"/> AETS<br>1125 Hensley Street; Richmond, CA<br>CAT090022148<br>(510) 233-8001                | <input type="checkbox"/> Seaport Environmental<br>575 Seaport Blvd; Redwood City, CA<br>CAD000032058<br>(415) 364-8154          | <input type="checkbox"/> Commercial Filter Recycling<br>33210 Western Ave; Union City, CA<br>(510) 487-9277                   |
| <input type="checkbox"/> DeMenno Kerdoon<br>2000 N. Alameda Blvd; Compton, CA<br>CAT090013352<br>(310) 571-3700     | <input type="checkbox"/> Evergreen Oil<br>6880 Smith Ave; Newark, CA<br>CAD980887418<br>(510) 795-4400                          |   |

I hereby certify that all information submitted in this and all attached documents contain true and accurate descriptions of the waste. All relevant information regarding known or suspected hazards associated with the wastes has been disclosed. Clearwater transports all wastes to facilities which are properly permitted and licensed to accept these wastes.

DRIVER'S SIGNATURE: [Signature]

GENERATOR SIGNATURE: \_\_\_\_\_



# FORWARD INCORPORATED

## NON-HAZARDOUS WASTE MANIFEST WASTE TREATMENT AND DISPOSAL FACILITY

JOB ACCEPTANCE NO.

**749622**

TO BE COMPLETED BY THE GENERATOR

GENERATOR  
**Berkeley Farms**

MAILING ADDRESS  
**25500 Clawiter Road**

CITY, STATE, ZIP  
**Hayward, CA**

PHONE

CONTACT PERSON

SIGNATURE OF AUTHORIZED AGENT / TITLE  
**\* [Signature]**

DATE  
**9-25-98**

REQUIRED PERSONAL PROTECTIVE EQUIPMENT

GLOVES    GOGGLES    RESPIRATOR    HARD HAT

TY-VEK    OTHER

SPECIAL HANDLING PROCEDURES:

**Removed & Disposed of  
1,152.35 Tons of  
Existing Soil to  
Forward Landfill.**

**Please see attached  
Forward manifests.**

**D  
36**

WASTE TYPE

<input type="checkbox"/> TREATMENT SOIL	<input type="checkbox"/> SLUDGE
<input checked="" type="checkbox"/> DISPOSAL SOIL	<input type="checkbox"/> NON-FRIABLE ASBESTOS
<input type="checkbox"/> CONSTRUCTION SOIL	<input type="checkbox"/> WOOD
<input type="checkbox"/> STOCK PILE	<input type="checkbox"/> ASH
	<input type="checkbox"/> OTHER

GENERATING FACILITY

**4550 San Pablo Ave                      EMERYVILLE**

**(209) 982-1009 FAX**

TRANSPORTER  
HAULER MUST COMPLETE

NAME  
**Commander Son**

ADDRESS  
**9493 S Escalon Parkway Rd.**

CITY, STATE, ZIP  
**Escalon CA 95320**

PHONE  
**209-836-5610**

SIGNATURE OF AUTHORIZED AGENT OR DRIVER  
**\* [Signature]**

DATE  
**9-25-98**

TRACTOR LIC. #  
**5 [Signature]**

TRUCK NUMBER  
**1908**

TRAILER LIC. #  
**5718 B12**

TRAILER LIC. #

END DUMP <input type="checkbox"/>	BOTTOM DUMP <input type="checkbox"/>	TRANSFER <input checked="" type="checkbox"/>
ROLL-OFF(S) <input type="checkbox"/>	FLAT-BED <input type="checkbox"/>	VAN <input type="checkbox"/>
		DRUMS <input type="checkbox"/>

FACILITY REQUIREMENTS

**FORWARD INC. LANDFILL**

Forward shall have no obligation to accept the waste if weather or other conditions impair the safe and effective disposal of the waste or if the waste impairs the safe and effective operation of the Landfill. Forward shall use reasonable efforts to promptly notify Disposer of its inability to accept the waste for any reason. If Forward's refusal to accept the waste is based on weather or other site conditions, Forward shall notify the Disposer when site conditions are expected to change such that Forward will be able to accept the waste.

REMARKS

FACILITY TICKET NUMBER

SIGNATURE OF AUTHORIZED AGENT  
**\* [Signature]**

DATE

CUBIC YARDS  
**18      21.37**

DISPOSAL METHOD: (TO BE COMPLETED BY FORWARD)

	DISPOSE	BIO	AERATE	STOCKPILE	OTHER
<input type="checkbox"/> SOIL	<input checked="" type="checkbox"/>				
<input type="checkbox"/> SLUDGE					
<input type="checkbox"/> NON-FRIABLE ASBESTOS					
<input type="checkbox"/> WOOD					
<input type="checkbox"/> ASH					
<input type="checkbox"/> OTHER					



# FORWARD INCORPORATED

NON-HAZARDOUS WASTE MAN...  
WASTE TREATMENT AND DISPOSAL FACILITY

JOB ACCEPTANCE NO.

**749622**

TO BE COMPLETED BY THE GENERATOR

GENERATOR  
**Berkeley Farms**  
MAILING ADDRESS  
**25500 Clawiter Road**

CITY, STATE, ZIP  
**Hayward, CA**

PHONE

CONTACT PERSON

SIGNATURE OF AUTHORIZED AGENT / TITLE

DATE

\* *[Signature]* **9-25-78**

WASTE TYPE

- TREATMENT SOIL
- DISPOSAL SOIL
- CONSTRUCTION SOIL
- STOCK PILE

- SLUDGE
- NON-FRIABLE ASBESTOS
- WOOD
- ASH
- OTHER

GENERATING FACILITY

**4550 San Pablo Ave**

**EMERYVILLE**

REQUIRED PERSONAL PROTECTIVE EQUIPMENT

- GLOVES  GOGGLES  RESPIRATOR  HARD HAT
- TY-VEK  OTHER

SPECIAL HANDLING PROCEDURES:

RECEIVING FACILITY

**FORWARD INC. LANDFILL**  
**9999 SOUTH AUSTIN ROAD**  
**MANTECA, CALIFORNIA 95336**  
**(209) 982-4298 PHONE**  
**(209) 982-1009 FAX**

TRANSPORTER  
HAULER MUST COMPLETE

NAME

*CONRADSON*

ADDRESS

*9493 SO. COCKER/BELT...*

CITY, STATE, ZIP

*EMERYVILLE, CA 94520*

PHONE

*982-5610*

SIGNATURE OF AUTHORIZED AGENT OR DRIVER

DATE

\* *[Signature]*

TRACTOR LIC. #

*9B38029*

TRAILER LIC. #

*4B 8395*

TRAILER LIC. #

TRUCK NUMBER

*J-9*

END DUMP

BOTTOM DUMP

TRANSFER

ROLL-OFF(S)

FLAT-BED

VAN

DRUMS

## FORWARD INC. LANDFILL

Forward shall have no obligation to accept the waste if weather or other conditions impair the safe and effective disposal of the waste or if the waste impairs the safe and effective operation of the Landfill. Forward shall use reasonable efforts to promptly notify Disposer of its inability to accept the waste for any reason. If Forward's refusal to accept the waste is based on weather or other site conditions, Forward shall notify the Disposer when site conditions are expected to change such that Forward will be able to accept the waste.

REMARKS

FACILITY TICKET NUMBER

SIGNATURE OF AUTHORIZED AGENT

DATE

\* *[Signature]* **9-2-79**

CUBIC YARDS

*18 15.35*

DISPOSAL METHOD (TO BE COMPLETED BY FORWARD)

	DISPOSE	BIO	AERATE	STOCKPILE	OTHER
<input checked="" type="checkbox"/> SOIL					
<input type="checkbox"/> SLUDGE					
<input type="checkbox"/> NON-FRIABLE ASBESTOS					
<input type="checkbox"/> WOOD					
<input type="checkbox"/> ASH					
<input type="checkbox"/> OTHER					

SCHEDULING MUST BE MADE PRIOR TO 4:00 P.M. THE DAY PRIOR TO EXPECTED ARRIVAL • ANY UNSCHEDULED LOADS ARE SUBJECT TO REFUSAL UPON ARRIVAL. ONGOING DAILY DELIVERIES MUST BE SCHEDULED WITH THE LANDFILL THE DAY BEFORE. TO SCHEDULE CALL (209) 982-4298



# FORWARD INCORPORATED

## NON-HAZARDOUS WASTE MANIFEST WASTE TREATMENT AND DISPOSAL FACILITY

JOB ACCEPTANCE NO.

**749622**

TO BE COMPLETED BY THE GENERATOR

GENERATOR  
Berkeley Farms  
MAILING ADDRESS  
25500 Clawiter Road  
CITY, STATE, ZIP  
Hayward, CA  
PHONE  
CONTACT PERSON

SIGNATURE OF AUTHORIZED AGENT / TITLE  
\* *[Signature]*  
DATE  
9-25-88

WASTE TYPE

<input type="checkbox"/> TREATMENT SOIL	<input type="checkbox"/> SLUDGE
<input checked="" type="checkbox"/> DISPOSAL SOIL	<input type="checkbox"/> NON-FRIABLE ASBESTOS
<input type="checkbox"/> CONSTRUCTION SOIL	<input type="checkbox"/> WOOD
<input type="checkbox"/> STOCK PILE	<input type="checkbox"/> ASH
	<input type="checkbox"/> OTHER

GENERATING FACILITY  
4550 San Pablo Ave  
EMERYVILLE

REQUIRED PERSONAL PROTECTIVE EQUIPMENT  
 GLOVES    GOGGLES    RESPIRATOR    HARD HAT  
 TY-VEK    OTHER

SPECIAL HANDLING PROCEDURES:

RECEIVING FACILITY  
  
 FORWARD INC. LANDFILL  
 9999 SOUTH AUSTIN ROAD  
 MANTECA, CALIFORNIA 95336  
 (209) 982-4298 PHONE  
 (209) 982-1009 FAX

TRANSPORTER  
HAULER MUST COMPLETE

NAME  
Conradson  
ADDRESS  
9493 S Escalon Bellota Rd.  
CITY, STATE, ZIP  
Escalon CA 95320  
PHONE  
209-886-5610  
SIGNATURE OF AUTHORIZED AGENT OR DRIVER  
\* *[Signature]*  
DATE  
9-25-88

TRACTOR LIC. # 5555378 TRUCK NUMBER

TRAILER LIC. # 1WA3228 007

TRAILER LIC. #

END DUMP <input checked="" type="checkbox"/>	BOTTOM DUMP <input type="checkbox"/>	TRANSFER <input type="checkbox"/>
ROLL-OFF(S) <input type="checkbox"/>	FLAT-BED <input type="checkbox"/>	VAN <input type="checkbox"/>
	DRUMS <input type="checkbox"/>	

FACILITY REQUIREMENTS

### FORWARD INC. LANDFILL

Forward shall have no obligation to accept the waste if weather or other conditions impair the safe and effective disposal of the waste or if the waste impairs the safe and effective operation of the Landfill. Forward shall use reasonable efforts to promptly notify Disposer of its inability to accept the waste for any reason. If Forward's refusal to accept the waste is based on weather or other site conditions, Forward shall notify the Disposer when site conditions are expected to change such that Forward will be able to accept the waste.

REMARKS

FACILITY TICKET NUMBER

SIGNATURE OF AUTHORIZED AGENT  
\* *[Signature]*  
DATE  
9-25-88

CUBIC YARDS  
19.26

DISPOSAL METHOD:	(TO BE COMPLETED BY FORWARD)				
	DISPOSE	BIO	AERATE	STOCKPILE	OTHER
<input checked="" type="checkbox"/> SOIL					
<input type="checkbox"/> SLUDGE					
<input type="checkbox"/> NON-FRIABLE ASBESTOS					
<input type="checkbox"/> WOOD	7				
<input type="checkbox"/> ASH					
<input type="checkbox"/> OTHER					

SCHEDULING MUST BE MADE PRIOR TO 4:00 P.M. THE DAY PRIOR TO EXPECTED ARRIVAL • ANY UNSCHEDULED LOADS ARE SUBJECT TO REFUSAL UPON ARRIVAL. ONGOING DAILY DELIVERIES MUST BE SCHEDULED WITH THE LANDFILL THE DAY BEFORE.  
 TO SCHEDULE CALL (209) 982-4298  
 FO 1 (C951 1NH) 8-88

SALES COPY

MANIFEST # C 883006



JOB ACCEPTANCE NO.

**749622**

TO BE COMPLETED BY THE GENERATOR

GENERATOR  
**Berkeley Farms**  
MAILING ADDRESS  
25560 Clawiter Road  
CITY, STATE, ZIP  
Hayward, CA  
PHONE  
CONTACT PERSON  
SIGNATURE OF AUTHORIZED AGENT / TITLE  
DATE  
\* *[Signature]* 9-25-98

REQUIRED PERSONAL PROTECTIVE EQUIPMENT  
 GLOVES  GOGGLES  RESPIRATOR  HARD HAT  
 TY-VEK  OTHER

SPECIAL HANDLING PROCEDURES:

WASTE TYPE  
 TREATMENT SOIL  
 DISPOSAL SOIL  
 CONSTRUCTION SOIL  
 STOCK PILE  
 SLUDGE  
 NON-FRIABLE ASBESTOS  
 WOOD  
 ASH  
 OTHER

RECEIVING FACILITY  
**FORWARD INC. LANDFILL**  
9999 SOUTH AUSTIN ROAD  
MANTECA, CALIFORNIA 95336  
(209) 982-4298 PHONE  
(209) 982-1009 FAX

GENERATING FACILITY  
4350 San Pablo Ave  
EMERYVILLE

TRANSPORTER  
HAULER MUST COMPLETE

NAME  
**Conrad / Son**  
ADDRESS  
9493 So. Escondido Bellota Rd.  
CITY, STATE, ZIP  
Escondido CA 95320  
PHONE  
209-586-5610  
SIGNATURE OF AUTHORIZED AGENT OR DRIVER  
DATE  
\* *[Signature]* 9-25-98

TRACTOR LIC. #  
TRUCK NUMBER  
TRAILER LIC. #  
TRAILER LIC. #

END DUMP  BOTTOM DUMP  TRANSFER   
ROLL-OFF(S)  FLAT-BED  VAN  DRUMS

FACILITY REQUIREMENTS

**FORWARD INC. LANDFILL**  
Forward shall have no obligation to accept the waste if weather or other conditions impair the safe and effective disposal of the waste or if the waste impairs the safe and effective operation of the Landfill. Forward shall use reasonable efforts to promptly notify Disposer of its inability to accept the waste for any reason. If Forward's refusal to accept the waste is based on weather or other site conditions, Forward shall notify the Disposer when site conditions are expected to change such that Forward will be able to accept the waste.  
REMARKS  
FACILITY TICKET NUMBER  
SIGNATURE OF AUTHORIZED AGENT  
DATE  
\* *[Signature]* 9-25-98

CUBIC YARDS  
**15 18.08**

DISPOSAL METHOD:	(TO BE COMPLETED BY FORWARD)				
	DISPOSE	BIO	AERATE	STOCKPILE	OTHER
<input type="checkbox"/> SOIL	<input checked="" type="checkbox"/>				
<input type="checkbox"/> SLUDGE					
<input type="checkbox"/> NON-FRIABLE ASBESTOS					
<input type="checkbox"/> WOOD					
<input type="checkbox"/> ASH					
<input type="checkbox"/> OTHER					



JOB ACCEPTANCE NO.

**749622**

TO BE COMPLETED BY THE GENERATOR

GENERATOR  
Berkeley Farms  
MAILING ADDRESS  
25500 Clawiter Road  
CITY, STATE, ZIP  
Hayward, CA  
PHONE  
CONTACT PERSON  
SIGNATURE OF AUTHORIZED AGENT / TITLE  
DATE  
9-25-98

REQUIRED PERSONAL PROTECTIVE EQUIPMENT  
 GLOVES  GOGGLES  RESPIRATOR  HARD HAT  
 TY-VEK  OTHER

SPECIAL HANDLING PROCEDURES:

WASTE TYPE  
 TREATMENT SOIL  
 DISPOSAL SOIL  
 CONSTRUCTION SOIL  
 STOCK PILE  
 SLUDGE  
 NON-FRIABLE ASBESTOS  
 WOOD  
 ASH  
 OTHER

RECEIVING FACILITY  
**FORWARD INC. LANDFILL**  
9999 SOUTH AUSTIN ROAD  
MANTEGA, CALIFORNIA 95336  
(209) 982-4298 PHONE  
(209) 982-1009 FAX

GENERATING FACILITY  
4550 San Pablo Ave  
EMERYVILLE

TRANSPORTER  
HAULER MUST COMPLETE

NAME  
Cervoni, Son  
ADDRESS  
9493 - So Bellini Pl.  
CITY, STATE, ZIP  
Escalon, CA 95320  
PHONE  
209 - 885 - 5610  
SIGNATURE OF AUTHORIZED AGENT OR DRIVER  
DATE  
9-25-98

TRACTOR LIC. # 3M28910  
TRUCK NUMBER  
C150  
TRAILER LIC. # 10V3473  
TRAILER LIC. #

END DUMP  BOTTOM DUMP  TRANSFER   
ROLL-OFF(S)  FLAT-BED  VAN  DRUMS

FACILITY REQUIREMENTS

**FORWARD INC. LANDFILL**  
Forward shall have no obligation to accept the waste if weather or other conditions impair the safe and effective disposal of the waste or if the waste impairs the safe and effective operation of the Landfill. Forward shall use reasonable efforts to promptly notify Disposer of its inability to accept the waste for any reason. If Forward's refusal to accept the waste is based on weather or other site conditions, Forward shall notify the Disposer when site conditions are expected to change such that Forward will be able to accept the waste.  
REMARKS  
FACILITY TICKET NUMBER  
SIGNATURE OF AUTHORIZED AGENT  
DATE

CUBIC YARDS  
21.52

DISPOSAL METHOD:	(TO BE COMPLETED BY FORWARD)				
	DISPOSE	BIO	AERATE	STOCKPILE	OTHER
<input type="checkbox"/> SOIL					
<input type="checkbox"/> SLUDGE					
<input type="checkbox"/> NON-FRIABLE ASBESTOS					
<input type="checkbox"/> WOOD					
<input type="checkbox"/> ASH					
<input type="checkbox"/> OTHER					





# FORWARD INCORPORATED

## NON-HAZARDOUS WASTE MANIFEST WASTE TREATMENT AND DISPOSAL FACILITY

JOB ACCEPTANCE NO.

**749622**

TO BE COMPLETED BY THE GENERATOR

GENERATOR  
**Berkeley Farms**  
MAILING ADDRESS  
**25360 Chawater Road**  
CITY, STATE, ZIP  
**Hayward, CA**  
PHONE  
CONTACT PERSON  
SIGNATURE OF AUTHORIZED AGENT / TITLE  
*[Signature]* | DATE  
**7-25-98**

REQUIRED PERSONAL PROTECTIVE EQUIPMENT  
 GLOVES    GOGGLES    RESPIRATOR    HARD HAT  
 TY-VEK    OTHER

SPECIAL HANDLING PROCEDURES:

WASTE TYPE

<input type="checkbox"/> TREATMENT SOIL	<input type="checkbox"/> SLUDGE
<input checked="" type="checkbox"/> DISPOSAL SOIL	<input type="checkbox"/> NON-FRIABLE ASBESTOS
<input type="checkbox"/> CONSTRUCTION SOIL	<input type="checkbox"/> WOOD
<input type="checkbox"/> STOCK PILE	<input type="checkbox"/> ASH
	<input type="checkbox"/> OTHER

RECEIVING FACILITY

**FORWARD INC. LANDFILL**  
**9999 SOUTH AUSTIN ROAD**  
**MANTECA, CALIFORNIA 95336**  
**(209) 982-4298 PHONE**  
**(209) 982-1009 FAX**

GENERATING FACILITY  
**4550 San Pablo Ave                      EMERYVILLE**

TRANSPORTER  
HAULER MUST COMPLETE

NAME  
**Conrad / Son**  
ADDRESS  
**1493 So Escalon / Bellota Road**  
CITY, STATE, ZIP  
**Escalon CA 95320**  
PHONE  
**209-886-5610**  
SIGNATURE OF AUTHORIZED AGENT OR DRIVER  
*[Signature]* | DATE  
**7-25-98**

TRACTOR LIC. # **9835427**  
 TRAILER LIC. # **438395**  
 TRUCK NUMBER  
**J-9**

END DUMP <input type="checkbox"/>	BOTTOM DUMP <input type="checkbox"/>	TRANSFER <input type="checkbox"/>
ROLL-OFF(S) <input type="checkbox"/>	FLAT-BED <input type="checkbox"/>	VAN <input type="checkbox"/>
	DRUMS <input type="checkbox"/>	

FACILITY REQUIREMENTS

**FORWARD INC. LANDFILL**

Forward shall have no obligation to accept the waste if weather or other conditions impair the safe and effective disposal of the waste or if the waste impairs the safe and effective operation of the Landfill. Forward shall use reasonable efforts to promptly notify Disposer of its inability to accept the waste for any reason. If Forward's refusal to accept the waste is based on weather or other site conditions, Forward shall notify the Disposer when site conditions are expected to change such that Forward will be able to accept the waste.

REMARKS  
FACILITY TICKET NUMBER  
SIGNATURE OF AUTHORIZED AGENT  
*[Signature]* | DATE  
**9-25-98**

CUBIC YARDS  
**18.27**

DISPOSAL METHOD:	(TO BE COMPLETED BY FORWARD)				
	DISPOSE	BIO	AERATE	STOCKPILE	OTHER
<input checked="" type="checkbox"/> SOIL					
<input type="checkbox"/> SLUDGE					
<input type="checkbox"/> NON-FRIABLE ASBESTOS					
<input type="checkbox"/> WOOD					
<input type="checkbox"/> ASH					
<input type="checkbox"/> OTHER					



# FORWARD INCORPORATED

## NON-HAZARDOUS WASTE MANIFEST WASTE TREATMENT AND DISPOSAL FACILITY

JOB ACCEPTANCE NO.

749622

TO BE COMPLETED BY THE GENERATOR

**GENERATOR**

Berkeley Farms  
MAILING ADDRESS  
25500 Clawiter Road  
CITY, STATE, ZIP  
Hayward, CA  
PHONE

CONTACT PERSON

SIGNATURE OF AUTHORIZED AGENT / TITLE

\* *Mark Lundy*

DATE

9-29-98

**REQUIRED PERSONAL PROTECTIVE EQUIPMENT**

GLOVES  GOGGLES  RESPIRATOR  HARD HAT  
 TY-VEK  OTHER

**SPECIAL HANDLING PROCEDURES:**

**WASTE TYPE**

TREATMENT SOIL  SLUDGE  
 DISPOSAL SOIL  NON-FRIABLE ASBESTOS  
 CONSTRUCTION SOIL  WOOD  
 STOCK PILE  ASH  
 OTHER

**RECEIVING FACILITY**

FORWARD INC. LANDFILL  
9999 SOUTH AUSTIN ROAD  
MANTECA, CALIFORNIA 95336  
(209) 982-4298 PHONE  
(209) 982-1009 FAX

**GENERATING FACILITY**

4550 San Pablo Ave EMERYVILLE

TRANSPORTER  
HAULER MUST COMPLETE

**NAME**

*Conrad Son*

**ADDRESS**

*9493 - So Escalon / Bellota Rd*

**CITY, STATE, ZIP**

*Escalon CA 95320*

**PHONE**

*209 - 886-5610*

SIGNATURE OF AUTHORIZED AGENT OR DRIVER

\* *[Signature]*

DATE

9-23-98

**TRACTOR LIC. #**

*J LONARD*

**TRUCK NUMBER**

*1908*

**TRAILER LIC. #**

*5TNS B12*

**TRAILER LIC. #**

**END DUMP**

**BOTTOM DUMP**

**TRANSFER**

**ROLL-OFF(S)**

**FLAT-BED**

**VAN**

**DRUMS**

FACILITY REQUIREMENTS

**FORWARD INC. LANDFILL**

Forward shall have no obligation to accept the waste if weather or other conditions impair the safe and effective disposal of the waste or if the waste impairs the safe and effective operation of the Landfill. Forward shall use reasonable efforts to promptly notify Disposer of its inability to accept the waste for any reason. If Forward's refusal to accept the waste is based on weather or other site conditions, Forward shall notify the Disposer when site conditions are expected to change such that Forward will be able to accept the waste.

**REMARKS**

FACILITY TICKET NUMBER

SIGNATURE OF AUTHORIZED AGENT

\* *[Signature]*

DATE

*9/29/98*

**CUBIC YARDS**

*22.91*

**DISPOSAL METHOD: (TO BE COMPLETED BY FORWARD)**

	DISPOSE	BIO	AERATE	STOCKPILE	OTHER
<input type="checkbox"/> SOIL	<input checked="" type="checkbox"/>				
<input type="checkbox"/> SLUDGE					
<input type="checkbox"/> NON-FRIABLE ASBESTOS					
<input type="checkbox"/> WOOD					
<input type="checkbox"/> ASH					
<input type="checkbox"/> OTHER					

SCHEDULING MUST BE MADE PRIOR TO 4:00 P.M. THE DAY PRIOR TO EXPECTED ARRIVAL • ANY UNSCHEDULED LOADS ARE SUBJECT TO REFUSAL UPON ARRIVAL. ONGOING DAILY DELIVERIES MUST BE SCHEDULED WITH THE LANDFILL THE DAY BEFORE. TO SCHEDULE CALL (209) 982-4298



# FORWARD INCORPORATED

## NON-HAZARDOUS WASTE MANIFEST WASTE TREATMENT AND DISPOSAL FACILITY

JOB ACCEPTANCE NO.

**749622**

TO BE COMPLETED BY THE GENERATOR

**GENERATOR**  
 Berkeley Farms  
 MAILING ADDRESS  
 25500 Clawiter Road  
 CITY, STATE, ZIP  
 Hayward, CA  
 PHONE  
 CONTACT PERSON  
 SIGNATURE OF AUTHORIZED AGENT / TITLE  
 \* *Mal Sando*  
 DATE  
 9-25-93

**REQUIRED PERSONAL PROTECTIVE EQUIPMENT**  
 GLOVES  GOGGLES  RESPIRATOR  HARD HAT  
 TY-VEK  OTHER

**SPECIAL HANDLING PROCEDURES:**

**WASTE TYPE**

<input type="checkbox"/> TREATMENT SOIL	<input type="checkbox"/> SLUDGE
<input checked="" type="checkbox"/> DISPOSAL SOIL	<input type="checkbox"/> NON-FRIABLE ASBESTOS
<input type="checkbox"/> CONSTRUCTION SOIL	<input type="checkbox"/> WOOD
<input type="checkbox"/> STOCK PILE	<input type="checkbox"/> ASH
	<input type="checkbox"/> OTHER

**RECEIVING FACILITY**

FORWARD INC. LANDFILL  
 9999 SOUTH AUSTIN ROAD  
 MANTECA, CALIFORNIA 95336  
 (209) 982-4298 PHONE  
 (209) 982-1009 FAX

**GENERATING FACILITY**  
 4550 San Pablo Ave  
 EMERYVILLE

TRANSPORTER  
HAULER MUST COMPLETE

**NAME**  
 Conner / son  
**ADDRESS**  
 9493 So Escalon / Bellota Rd  
**CITY, STATE, ZIP**  
 Escalon CA 95320  
**PHONE**  
 209 - 886 - 5510  
**SIGNATURE OF AUTHORIZED AGENT OR DRIVER**  
 \* *Sam Yon*  
**DATE**  
 9-25-93

**TRACTOR LIC. #** 5555378 **TRUCK NUMBER**  
**TRAILER LIC. #** 1WA 3228 **007**  
**TRAILER LIC. #**

<b>END DUMP</b> <input checked="" type="checkbox"/>	<b>BOTTOM DUMP</b> <input type="checkbox"/>	<b>TRANSFER</b> <input type="checkbox"/>
<b>ROLL-OFF(S)</b> <input type="checkbox"/>	<b>FLAT-BED</b> <input type="checkbox"/>	<b>VAN</b> <input type="checkbox"/>
	<b>DRUMS</b> <input type="checkbox"/>	

FACILITY REQUIREMENTS

**FORWARD INC. LANDFILL**

Forward shall have no obligation to accept the waste if weather or other conditions impair the safe and effective disposal of the waste or if the waste impairs the safe and effective operation of the Landfill. Forward shall use reasonable efforts to promptly notify Disposer of its inability to accept the waste for any reason. If Forward's refusal to accept the waste is based on weather or other site conditions, Forward shall notify the Disposer when site conditions are expected to change such that Forward will be able to accept the waste.

**REMARKS**

**FACILITY TICKET NUMBER**

**SIGNATURE OF AUTHORIZED AGENT**  
 \* *[Signature]*  
**DATE**  
 9-25-93

**CUBIC YARDS**  
 23.71

DISPOSAL METHOD: (TO BE COMPLETED BY FORWARD)					
DISPOSE	BIO	AERATE	STOCKPILE	OTHER	
<input checked="" type="checkbox"/> SOIL					
<input type="checkbox"/> SLUDGE					
<input type="checkbox"/> NON-FRIABLE ASBESTOS					
<input type="checkbox"/> WOOD					
<input type="checkbox"/> ASH					
<input type="checkbox"/> OTHER					



# FORWARD INCORPORATED

## NON-HAZARDOUS WASTE MANIFEST WASTE TREATMENT AND DISPOSAL FACILITY

JOB ACCEPTANCE NO.

**749622**

TO BE COMPLETED BY THE GENERATOR

GENERATOR  
*Berkeley Ferrus*

MAILING ADDRESS  
*25560 Clawiter Road*

CITY, STATE, ZIP  
*Hayward, CA*

PHONE

CONTACT PERSON

SIGNATURE OF AUTHORIZED AGENT / TITLE  
\* *[Signature]*

DATE  
*9-25-99*

REQUIRED PERSONAL PROTECTIVE EQUIPMENT

GLOVES    GOGGLES    RESPIRATOR    HARD HAT

TY-VEK    OTHER

SPECIAL HANDLING PROCEDURES:

WASTE TYPE

TREATMENT SOIL    SLUDGE

DISPOSAL SOIL    NON-FRIABLE ASBESTOS

CONSTRUCTION SOIL    WOOD

STOCK PILE    ASH

OTHER

RECEIVING FACILITY

**FORWARD INC. LANDFILL**

**9999 SOUTH AUSTIN ROAD**

**MANTECA, CALIFORNIA 95336**

**(209) 982-4298 PHONE**

**(209) 982-1009 FAX**

GENERATING FACILITY

*4550 San Pablo Ave*   **EMERYVILLE**

TRANSPORTER  
HAULER MUST COMPLETE

NAME  
*Conrad / San*

ADDRESS  
*9493 So Escalante / Baitley Rd*

CITY, STATE, ZIP  
*Escalante CA 95320*

PHONE  
*209-886-5610*

SIGNATURE OF AUTHORIZED AGENT OR DRIVER  
\* *[Signature]*

DATE  
*9-25-99*

TRACTOR LIC. #  
*5555377*

TRUCK NUMBER  
*008*

TRAILER LIC. #  
*1WA3238*

TRAILER LIC. #

END DUMP      BOTTOM DUMP      TRANSFER  

ROLL-OFF(S)      FLAT-BED      VAN      DRUMS  

FACILITY REQUIREMENTS

**FORWARD INC. LANDFILL**

Forward shall have no obligation to accept the waste if weather or other conditions impair the safe and effective disposal of the waste or if the waste impairs the safe and effective operation of the Landfill. Forward shall use reasonable efforts to promptly notify Disposer of its inability to accept the waste for any reason. If Forward's refusal to accept the waste is based on weather or other site conditions, Forward shall notify the Disposer when site conditions are expected to change such that Forward will be able to accept the waste.

REMARKS

FACILITY TICKET NUMBER

SIGNATURE OF AUTHORIZED AGENT  
\* *[Signature]*

DATE  
*9-25-99*

CUBIC YARDS  
*23.76*

	DISPOSAL METHOD: (TO BE COMPLETED BY FORWARD)				
	DISPOSE	BIO	AERATE	STOCKPILE	OTHER
<input checked="" type="checkbox"/> SOIL					
<input type="checkbox"/> SLUDGE					
<input type="checkbox"/> NON-FRIABLE ASBESTOS					
<input type="checkbox"/> WOOD					
<input type="checkbox"/> ASH					
<input type="checkbox"/> OTHER					

SCHEDULING MUST BE MADE PRIOR TO 4:00 P.M. THE DAY PRIOR TO EXPECTED ARRIVAL • ANY UNSCHEDULED LOADS ARE SUBJECT TO REFUSAL UPON ARRIVAL. ONGOING DAILY DELIVERIES MUST BE SCHEDULED WITH THE LANDFILL THE DAY BEFORE. TO SCHEDULE CALL (209) 982-4298



# FORWARD INCORPORATED

## NON-HAZARDOUS WASTE MANIFEST WASTE TREATMENT AND DISPOSAL FACILITY

JOB ACCEPTANCE NO.

**749622**

TO BE COMPLETED BY THE GENERATOR

**GENERATOR**  
 Berkeley Farms  
 MAILING ADDRESS  
 25500 Claviter Road  
 CITY, STATE, ZIP  
 Hayward, CA  
 PHONE  
 CONTACT PERSON  
 SIGNATURE OF AUTHORIZED AGENT / TITLE  
 \* *[Signature]* DATE  
 9-25-98

**REQUIRED PERSONAL PROTECTIVE EQUIPMENT**  
 GLOVES  GOGGLES  RESPIRATOR  HARD HAT  
 TY-VEK  OTHER

**SPECIAL HANDLING PROCEDURES:**

**WASTE TYPE**

<input type="checkbox"/> TREATMENT SOIL	<input type="checkbox"/> SLUDGE
<input checked="" type="checkbox"/> DISPOSAL SOIL	<input type="checkbox"/> NON-FRIABLE ASBESTOS
<input type="checkbox"/> CONSTRUCTION SOIL	<input type="checkbox"/> WOOD
<input type="checkbox"/> STOCK PILE	<input type="checkbox"/> ASH
	<input type="checkbox"/> OTHER

**RECEIVING FACILITY**

FORWARD INC. LANDFILL  
 9999 SOUTH AUSTIN ROAD  
 MANTECA, CALIFORNIA 95336  
 (209) 982-4298 PHONE  
 (209) 982-1009 FAX

**GENERATING FACILITY**  
 4550 San Pablo Ave  
 EMERYVILLE

TRANSPORTER  
HAULER MUST COMPLETE

**NAME**  
 Conrad son  
**ADDRESS**  
 9999 Escalon Belden Rd - #  
**CITY, STATE, ZIP**  
 Escalon CA 95320  
**PHONE**  
 209 - 886 - 5610  
 SIGNATURE OF AUTHORIZED AGENT OR DRIVER  
 \* *[Signature]* DATE  
 9-25-98

**TRACTOR LIC. #** 5K71533 **TRUCK NUMBER**  
**TRAILER LIC. #** 042065 **L-1**  
**TRAILER LIC. #**

<input type="checkbox"/> END DUMP	<input type="checkbox"/> BOTTOM DUMP	<input checked="" type="checkbox"/> TRANSFER
<input type="checkbox"/> ROLL-OFF(S)	<input type="checkbox"/> FLAT-BED	<input type="checkbox"/> VAN
<input type="checkbox"/>	<input type="checkbox"/>	<input type="checkbox"/> DRUMS

FACILITY REQUIREMENTS

**FORWARD INC. LANDFILL**

Forward shall have no obligation to accept the waste if weather or other conditions impair the safe and effective disposal of the waste or if the waste impairs the safe and effective operation of the Landfill. Forward shall use reasonable efforts to promptly notify Disposer of its inability to accept the waste for any reason. If Forward's refusal to accept the waste is based on weather or other site conditions, Forward shall notify the Disposer when site conditions are expected to change such that Forward will be able to accept the waste.

**REMARKS**

**FACILITY TICKET NUMBER**

**SIGNATURE OF AUTHORIZED AGENT**  
 \* *[Signature]* **DATE**  
 9-25-98

**CUBIC YARDS**  
 10, 26.36

DISPOSAL METHOD:	(TO BE COMPLETED BY FORWARD)				
	DISPOSE	BIO	AERATE	STOCKPILE	OTHER
<input checked="" type="checkbox"/> SOIL					
<input type="checkbox"/> SLUDGE					
<input type="checkbox"/> NON-FRIABLE ASBESTOS					
<input type="checkbox"/> WOOD					
<input type="checkbox"/> ASH					
<input type="checkbox"/> OTHER					

SCHEDULING MUST BE MADE PRIOR TO 4:00 P.M. THE DAY PRIOR TO EXPECTED ARRIVAL • ANY UNSCHEDULED LOADS ARE SUBJECT TO REFUSAL UPON ARRIVAL. ONGOING DAILY DELIVERIES MUST BE SCHEDULED WITH THE LANDFILL THE DAY BEFORE. TO SCHEDULE CALL (209) 982-4298



**FORWARD**  
INCORPORATED

NON-HAZARDOUS WASTE MANIFEST  
WASTE TREATMENT AND DISPOSAL FACILITY

JOB ACCEPTANCE NO.

**749622**

TO BE COMPLETED BY THE GENERATOR

**GENERATOR**

Berkeley Farms  
MAILING ADDRESS  
25500 Clawiter Road  
CITY, STATE, ZIP  
Hayward, CA  
PHONE

CONTACT PERSON

SIGNATURE OF AUTHORIZED AGENT / TITLE

DATE

\* *M. J. Smith*

7-22-98

**REQUIRED PERSONAL PROTECTIVE EQUIPMENT**

GLOVES  GOGGLES  RESPIRATOR  HAZARDOUS WASTE SUIT  
 TY-VEK  OTHER

**SPECIAL HANDLING PROCEDURES:**

**WASTE TYPE**

TREATMENT SOIL  
 DISPOSAL SOIL  
 CONSTRUCTION SOIL  
 STOCK PILE

SLUDGE  
 NON-FRIABLE ASBESTOS  
 WOOD  
 ASH  
 OTHER

**RECEIVING FACILITY**

FORWARD INC. LANDFILL  
9999 SOUTH AUSTIN ROAD  
MANTECA, CALIFORNIA 95333  
(209) 982-4298 PHONE  
(209) 982-1009 FAX

**GENERATING FACILITY**

4550 San Pablo Ave. EMERYVILLE

TRANSPORTER/HAULER MUST COMPLETE

**NAME**

**ADDRESS**

**CITY, STATE, ZIP**

**PHONE**

SIGNATURE OF AUTHORIZED AGENT OR DRIVER

DATE

Conrad Son  
9493 50 - Escalon, Bellary, CA  
Escalon CA 95320  
209-985-5500

\* *STNEY*

8-25-98

TRACTOR LIC. # 937-200

TRUCK NUMBER

TRAILER LIC. # 12-102

R-2

TRAILER LIC. #

END DUMP  BOTTOM DUMP  TRANSFER   
ROLL-OFF(S)  FLAT-BED  VAN  DRUMS

FACILITY REQUIREMENTS

**FORWARD INC. LANDFILL**

Forward shall have no obligation to accept the waste if weather or other conditions impair the safe and effective disposal of the waste or if the waste impairs the safe and effective operation of the Landfill. Forward shall use reasonable efforts to promptly notify Disposer of its inability to accept the waste for any reason. If Forward's refusal to accept the waste is based on weather or other site conditions, Forward shall notify the Disposer when site conditions are expected to change such that Forward will be able to accept the waste.

REMARKS

FACILITY TICKET NUMBER

SIGNATURE OF AUTHORIZED AGENT

DATE

\* *V. A. Calway*

8-25-98

**CUBIC YARDS**

2585

**DISPOSAL METHOD: (TO BE COMPLETED BY FORWARD)**

	DISPOSE	BIO	AERATE	STOCKPILE	OTH
<input type="checkbox"/> SOIL					
<input type="checkbox"/> SLUDGE					
<input type="checkbox"/> NON-FRIABLE ASBESTOS					
<input type="checkbox"/> WOOD					
<input type="checkbox"/> ASH					
<input type="checkbox"/> OTHER					

SCHEDULING MUST BE MADE PRIOR TO 4:00 P.M. THE DAY PRIOR TO EXPECTED ARRIVAL • ANY UNSCHEDULED LOADS SUBJECT TO REFUSAL UPON ARRIVAL. ONGOING DAILY DELIVERIES MUST BE SCHEDULED WITH THE LANDFILL THE DAY BEFORE TO SCHEDULE CALL (209) 982-4298



JOB ACCEPTANCE NO.

**749622**

TO BE COMPLETED BY THE GENERATOR

GENERATOR  
**Berkeley Farms**  
 MAILING ADDRESS  
**25560 Clawiter Road**  
 CITY, STATE, ZIP  
**Hayward, CA**  
 PHONE  
 CONTACT PERSON

REQUIRED PERSONAL PROTECTIVE EQUIPMENT  
 GLOVES    GOGGLES    RESPIRATOR    HARD HAT  
 TY-VEK    OTHER

SPECIAL HANDLING PROCEDURES:

SIGNATURE OF AUTHORIZED AGENT / TITLE      DATE

\* *M. J. [Signature]*

WASTE TYPE

- |   |   |
|---|---|
| <input type="checkbox"/> TREATMENT SOIL           | <input type="checkbox"/> SLUDGE               |
| <input checked="" type="checkbox"/> DISPOSAL SOIL | <input type="checkbox"/> NON-FRIABLE ASBESTOS |
| <input type="checkbox"/> CONSTRUCTION SOIL        | <input type="checkbox"/> WOOD                 |
| <input type="checkbox"/> STOCK PILE               | <input type="checkbox"/> ASH                  |
|   | <input type="checkbox"/> OTHER                |

RECEIVING FACILITY

**FORWARD INC. LANDFILL**  
**9999 SOUTH AUSTIN ROAD**  
**MANTECA, CALIFORNIA 95336**  
**(209) 982-4298 PHONE**  
**(209) 982-1009 FAX**

GENERATING FACILITY  
**4530 San Pablo Ave**

**EMERYVILLE**

TRANSPORTER  
HAULER MUST COMPLETE

NAME  
 ADDRESS  
 CITY, STATE, ZIP  
 PHONE

TRACTOR LIC. # *3m 2051K*      TRUCK NUMBER  
 TRAILER LIC. # *1153477*  
 TRAILER LIC. #

SIGNATURE OF AUTHORIZED AGENT OR DRIVER      DATE

\* *[Signature]*

END DUMP      BOTTOM DUMP      TRANSFER  
              
 ROLL-OFF(S)      FLAT-BED      VAN      DRUMS  
                 

FACILITY REQUIREMENTS

### FORWARD INC. LANDFILL

Forward shall have no obligation to accept the waste if weather or other conditions impair the safe and effective disposal of the waste or if the waste impairs the safe and effective operation of the Landfill. Forward shall use reasonable efforts to promptly notify Disposer of its inability to accept the waste for any reason. If Forward's refusal to accept the waste is based on weather or other site conditions, Forward shall notify the Disposer when site conditions are expected to change such that Forward will be able to accept the waste.

REMARKS

FACILITY TICKET NUMBER

SIGNATURE OF AUTHORIZED AGENT

\* *[Signature]*

DATE  
*9-25-90*

CUBIC YARDS

*29.65*

DISPOSAL METHOD: (TO BE COMPLETED BY FORWARD)

	DISPOSE	BIO	AERATE	STOCKPILE	OTHER
<input checked="" type="checkbox"/> SOIL	<i>[Handwritten mark]</i>				
<input type="checkbox"/> SLUDGE					
<input type="checkbox"/> NON-FRIABLE ASBESTOS					
<input type="checkbox"/> WOOD					
<input type="checkbox"/> ASH					
<input type="checkbox"/> OTHER					

SCHEDULING MUST BE MADE PRIOR TO 4:00 P.M. THE DAY PRIOR TO EXPECTED ARRIVAL • ANY UNSCHEDULED LOADS ARE SUBJECT TO REFUSAL UPON ARRIVAL. ONGOING DAILY DELIVERIES MUST BE SCHEDULED WITH THE LANDFILL THE DAY BEFORE. TO SCHEDULE CALL (209) 982-4298



JOB ACCEPTANCE NO.

**749622**

TO BE COMPLETED BY THE GENERATOR

GENERATOR

Berkeley Farms  
MAILING ADDRESS  
25500 Clawiter Road  
CITY, STATE, ZIP  
Hayward, CA  
PHONE

CONTACT PERSON

SIGNATURE OF AUTHORIZED AGENT / TITLE

DATE

\* *[Signature]*

9-25-98

WASTE TYPE

- TREATMENT SOIL
- DISPOSAL SOIL
- CONSTRUCTION SOIL
- STOCK PILE

- SLUDGE
- NON-FRIABLE ASBESTOS
- WOOD
- ASH
- OTHER

GENERATING FACILITY

4550 San Pablo Ave EMERYVILLE

REQUIRED PERSONAL PROTECTIVE EQUIPMENT

- GLOVES  GOGGLES  RESPIRATOR  HARD HAT
- TY-VEK  OTHER

SPECIAL HANDLING PROCEDURES:

RECEIVING FACILITY

FORWARD INC. LANDFILL  
9999 SOUTH AUSTIN ROAD  
MANTEGA, CALIFORNIA 95336  
(209) 982-4298 PHONE  
(209) 982-1009 FAX

TRANSPORTER  
HAULER MUST COMPLETE

NAME

Conrad, Son  
ADDRESS  
9453 So Escalon Bolinas Rd  
CITY, STATE, ZIP  
Escalon CA 95320  
PHONE  
209-986-5610

SIGNATURE OF AUTHORIZED AGENT OR DRIVER

DATE

\* *[Signature]*

9-25-98

TRACTOR LIC. #

TRUCK NUMBER

TRAILER LIC. #

TRAILER LIC. #

- |   |   |                                      |
|---|---|--------------------------------------|
| END DUMP<br><input type="checkbox"/>    | BOTTOM DUMP<br><input type="checkbox"/> | TRANSFER<br><input type="checkbox"/> |
| ROLL-OFF(S)<br><input type="checkbox"/> | FLAT-BED<br><input type="checkbox"/>    | VAN<br><input type="checkbox"/>      |
|   |   | DRUMS<br><input type="checkbox"/>    |

FACILITY REQUIREMENTS

**FORWARD INC. LANDFILL**

Forward shall have no obligation to accept the waste if weather or other conditions impair the safe and effective disposal of the waste or if the waste impairs the safe and effective operation of the Landfill. Forward shall use reasonable efforts to promptly notify Disposer of its inability to accept the waste for any reason. If Forward's refusal to accept the waste is based on weather or other site conditions, Forward shall notify the Disposer when site conditions are expected to change such that Forward will be able to accept the waste.

REMARKS

FACILITY TICKET NUMBER

SIGNATURE OF AUTHORIZED AGENT

DATE

\* *[Signature]*

CUBIC YARDS

10 26.52

DISPOSAL METHOD (TO BE COMPLETED BY FORWARD)

	DISPOSE	BIO	AERATE	STOCKPILE	OTHER
<input checked="" type="checkbox"/> SOIL					
<input type="checkbox"/> SLUDGE					
<input type="checkbox"/> NON-FRIABLE ASBESTOS					
<input type="checkbox"/> WOOD					
<input type="checkbox"/> ASH					
<input type="checkbox"/> OTHER					

SCHEDULING MUST BE MADE PRIOR TO 4:00 P.M. THE DAY PRIOR TO EXPECTED ARRIVAL • ANY UNSCHEDULED LOADS ARE SUBJECT TO REFUSAL UPON ARRIVAL. ONGOING DAILY DELIVERIES MUST BE SCHEDULED WITH THE LANDFILL THE DAY BEFORE. TO SCHEDULE CALL (209) 982-4298





**FORWARD**  
INCORPORATED

NON-HAZARDOUS WASTE MANIFEST  
WASTE TREATMENT AND DISPOSAL FACILITY

JOB ACCEPTANCE NO.

749622

TO BE COMPLETED BY THE GENERATOR

GENERATOR  
*Berkeley Farms*  
MAILING ADDRESS  
*25500 Clawiter Road*

CITY, STATE, ZIP  
*Hayward, CA*

PHONE

CONTACT PERSON

SIGNATURE OF AUTHORIZED AGENT / TITLE

DATE

\* *MJ Smith*

*9-25-99*

WASTE TYPE

- TREATMENT SOIL
- DISPOSAL SOIL
- CONSTRUCTION SOIL
- STOCK PILE

- SLUDGE
- NON-FRIABLE ASBESTOS
- WOOD
- ASH
- OTHER

GENERATING FACILITY

*4550 San Pablo Ave*

**EMERYVILLE**

REQUIRED PERSONAL PROTECTIVE EQUIPMENT

- GLOVES  GOGGLES  RESPIRATOR  HARD HAT
- TY-VEK  OTHER

SPECIAL HANDLING PROCEDURES:

RECEIVING FACILITY

**FORWARD INC. LANDFILL**  
9999 SOUTH AUSTIN ROAD  
MANTECA, CALIFORNIA 95336  
(209) 982-4298 PHONE  
(209) 982-1009 FAX

TRANSPORTER  
HAULER MUST COMPLETE

NAME

*Conrad Eason*

ADDRESS

*9403 So Escalon Bellota*

CITY, STATE, ZIP

*Escalon CA*

PHONE

*209-886-5610*

SIGNATURE OF AUTHORIZED AGENT OR DRIVER

DATE

\*

*9-25-99*

TRACTOR LIC. #

*5D14447*

TRAILER LIC. #

*WIP 7574*

TRUCK NUMBER

*51*

END DUMP

ROLL-OFF(S)

BOTTOM DUMP

FLAT-BED

TRANSFER

VAN

DRUMS

FACILITY REQUIREMENTS

**FORWARD INC. LANDFILL**

Forward shall have no obligation to accept the waste if weather or other conditions impair the safe and effective disposal of the waste or if the waste impairs the safe and effective operation of the Landfill. Forward shall use reasonable efforts to promptly notify Disposer of its inability to accept the waste for any reason. If Forward's refusal to accept the waste is based on weather or other site conditions, Forward shall notify the Disposer when site conditions are expected to change such that Forward will be able to accept the waste.

REMARKS

FACILITY TICKET NUMBER

SIGNATURE OF AUTHORIZED AGENT

DATE

\*

*9-25-99*

CUBIC YARDS

*19 29.26*

DISPOSAL METHOD: (TO BE COMPLETED BY FORWARD)

	DISPOSE	BIO	AERATE	STOCKPILE	OTHER
<input type="checkbox"/> SOIL	<input checked="" type="checkbox"/>				
<input type="checkbox"/> SLUDGE					
<input type="checkbox"/> NON-FRIABLE ASBESTOS					
<input type="checkbox"/> WOOD					
<input type="checkbox"/> ASH					
<input type="checkbox"/> OTHER					

SCHEDULING MUST BE MADE PRIOR TO 4:00 P.M. THE DAY PRIOR TO EXPECTED ARRIVAL • ANY UNSCHEDULED LOADS ARE SUBJECT TO REFUSAL UPON ARRIVAL. ONGOING DAILY DELIVERIES MUST BE SCHEDULED WITH THE LANDFILL THE DAY BEFORE. TO SCHEDULE CALL (209) 982-4298

FO1 (C951 1NH) 6-96

SALES COPY

MANIFEST # C 663010



# FORWARD INCORPORATED

## NON-HAZARDOUS WASTE MANIFEST WASTE TREATMENT AND DISPOSAL FACILITY

JOB ACCEPTANCE NO.

**749622**

TO BE COMPLETED BY THE GENERATOR

GENERATOR  
Berkeley Farms  
MAILING ADDRESS  
25500 Clawiter Road  
CITY, STATE, ZIP  
Hayward, CA  
PHONE  
CONTACT PERSON

REQUIRED PERSONAL PROTECTIVE EQUIPMENT  
 GLOVES     GOGGLES     RESPIRATOR     HARD HAT  
 TY-VEK     OTHER

SPECIAL HANDLING PROCEDURES:

SIGNATURE OF AUTHORIZED AGENT / TITLE

DATE

WASTE TYPE

- |   |   |
|---|---|
| <input type="checkbox"/> TREATMENT SOIL           | <input type="checkbox"/> SLUDGE               |
| <input checked="" type="checkbox"/> DISPOSAL SOIL | <input type="checkbox"/> NON-FRIABLE ASBESTOS |
| <input type="checkbox"/> CONSTRUCTION SOIL        | <input type="checkbox"/> WOOD                 |
| <input type="checkbox"/> STOCK PILE               | <input type="checkbox"/> ASH                  |
|   | <input type="checkbox"/> OTHER                |

RECEIVING FACILITY

FORWARD INC. LANDFILL  
9999 SOUTH AUSTIN ROAD  
MANTECA, CALIFORNIA 95336  
(209) 982-4298 PHONE  
(209) 982-1009 FAX

GENERATING FACILITY

4550 San Pablo Ave

EMERYVILLE

NAME

Conrad / San  
ADDRESS

9553 So Escalon Bellota Rd  
CITY, STATE, ZIP

Escalon CA 95320  
PHONE

209 836-5710  
SIGNATURE OF AUTHORIZED AGENT OR DRIVER

DATE

TRACTOR LIC. # 5P41469

TRUCK NUMBER

TRAILER LIC. # 1WB3300

TRAILER LIC. #

END DUMP <input type="checkbox"/>	BOTTOM DUMP <input type="checkbox"/>	TRANSFER <input checked="" type="checkbox"/>
ROLL-OFF(S) <input type="checkbox"/>	FLAT-BED <input type="checkbox"/>	VAN <input type="checkbox"/>
		DRUMS <input type="checkbox"/>

TRANSPORTER  
HAULER MUST COMPLETE

FACILITY REQUIREMENTS

### FORWARD INC. LANDFILL

Forward shall have no obligation to accept the waste if weather or other conditions impair the safe and effective disposal of the waste or if the waste impairs the safe and effective operation of the Landfill. Forward shall use reasonable efforts to promptly notify Disposer of its inability to accept the waste for any reason. If Forward's refusal to accept the waste is based on weather or other site conditions, Forward shall notify the Disposer when site conditions are expected to change such that Forward will be able to accept the waste.

REMARKS

FACILITY TICKET NUMBER

SIGNATURE OF AUTHORIZED AGENT

DATE

CUBIC YARDS

27.33

DISPOSAL METHOD: (TO BE COMPLETED BY FORWARD)

	DISPOSE	BIO	AERATE	STOCKPILE	OTHER
<input checked="" type="checkbox"/> SOIL					
<input type="checkbox"/> SLUDGE					
<input type="checkbox"/> NON-FRIABLE ASBESTOS					
<input type="checkbox"/> WOOD					
<input checked="" type="checkbox"/> ASH					
<input type="checkbox"/> OTHER					

SCHEDULING MUST BE MADE PRIOR TO 4:00 P.M. THE DAY PRIOR TO EXPECTED ARRIVAL • ANY UNSCHEDULED LOADS ARE SUBJECT TO REFUSAL UPON ARRIVAL. ONGOING DAILY DELIVERIES MUST BE SCHEDULED WITH THE LANDFILL THE DAY BEFORE. TO SCHEDULE CALL (209) 982-4298



# FORWARD INCORPORATED

## NON-HAZARDOUS WASTE MANIFEST WASTE TREATMENT AND DISPOSAL FACILITY

JOB ACCEPTANCE NO.

**749622**

TO BE COMPLETED BY THE GENERATOR

GENERATOR  
*Berkeley Farms*  
MAILING ADDRESS  
*25500 Clawiter Road*  
CITY, STATE, ZIP  
*Hayward, CA*  
PHONE  
CONTACT PERSON

REQUIRED PERSONAL PROTECTIVE EQUIPMENT  
 GLOVES    GOGGLES    RESPIRATOR    HARD HAT  
 TY-VEK    OTHER

SPECIAL HANDLING PROCEDURES:

SIGNATURE OF AUTHORIZED AGENT / TITLE      DATE  
 \* *Mark [unclear]*      *9-28-93*

WASTE TYPE

<input type="checkbox"/> TREATMENT SOIL	<input type="checkbox"/> SLUDGE
<input checked="" type="checkbox"/> DISPOSAL SOIL	<input type="checkbox"/> NON-FRIABLE ASBESTOS
<input type="checkbox"/> CONSTRUCTION SOIL	<input type="checkbox"/> WOOD
<input type="checkbox"/> STOCK PILE	<input type="checkbox"/> ASH
	<input type="checkbox"/> OTHER

RECEIVING FACILITY

**FORWARD INC. LANDFILL**  
**9999 SOUTH AUSTIN ROAD**  
**MANTECA, CALIFORNIA 95336**  
**(209) 982-4298 PHONE**  
**(209) 982-1009 FAX**

GENERATING FACILITY  
*4550 San Pablo Ave      EMERYVILLE*

TRANSPORTER  
HAULER MUST COMPLETE

NAME  
*Conrad Sam*  
ADDRESS  
*9493 So Escalon / Bellota Rd*  
CITY, STATE, ZIP  
*Escalon CA 95320*  
PHONE  
*209 836-5615*  
SIGNATURE OF AUTHORIZED AGENT OR DRIVER      DATE  
 \* *[Signature]*      *9-28-93*

TRACTOR LIC. # *5C14691*      TRUCK NUMBER  
 TRAILER LIC. # *1VP6190*      *36*  
 TRAILER LIC. #

END DUMP      BOTTOM DUMP      TRANSFER  
              
 ROLL-OFF(S)      FLAT-BED      VAN      DRUMS  
                 

FACILITY REQUIREMENTS

### FORWARD INC. LANDFILL

Forward shall have no obligation to accept the waste if weather or other conditions impair the safe and effective disposal of the waste or if the waste impairs the safe and effective operation of the Landfill. Forward shall use reasonable efforts to promptly notify Disposer of its inability to accept the waste for any reason. If Forward's refusal to accept the waste is based on weather or other site conditions, Forward shall notify the Disposer when site conditions are expected to change such that Forward will be able to accept the waste.

REMARKS

FACILITY TICKET NUMBER

SIGNATURE OF AUTHORIZED AGENT      DATE  
 \* *[Signature]*      *9-28-93*

CUBIC YARDS	<i>31.40</i>				
DISPOSAL METHOD:	(TO BE COMPLETED BY FORWARD)				
	DISPOSE	BIO	AERATE	STOCKPILE	OTHER
<input checked="" type="checkbox"/> SOIL					
<input type="checkbox"/> SLUDGE					
<input type="checkbox"/> NON-FRIABLE ASBESTOS					
<input type="checkbox"/> WOOD					
<input type="checkbox"/> ASH					
<input type="checkbox"/> OTHER					

SCHEDULING MUST BE MADE PRIOR TO 4:00 P.M. THE DAY PRIOR TO EXPECTED ARRIVAL • ANY UNSCHEDULED LOADS ARE SUBJECT TO REFUSAL UPON ARRIVAL. ONGOING DAILY DELIVERIES MUST BE SCHEDULED WITH THE LANDFILL THE DAY BEFORE. TO SCHEDULE CALL (209) 982-4298



# FORWARD INCORPORATED

## NON-HAZARDOUS WASTE MANIFEST WASTE TREATMENT AND DISPOSAL FACILITY

JOB ACCEPTANCE NO.

**749622**

TO BE COMPLETED BY THE GENERATOR

GENERATOR  
**Berkeley Farms**  
MAILING ADDRESS  
**25500 Clawiter Road**  
CITY, STATE, ZIP  
**Hayward, CA**  
PHONE  
CONTACT PERSON

REQUIRED PERSONAL PROTECTIVE EQUIPMENT  
 GLOVES    GOGGLES    RESPIRATOR    HARD HAT  
 TY-VEK    OTHER

SPECIAL HANDLING PROCEDURES:

SIGNATURE OF AUTHORIZED AGENT / TITLE      DATE  
 \* *[Signature]*      9-28-95

WASTE TYPE

<input type="checkbox"/> TREATMENT SOIL	<input type="checkbox"/> SLUDGE
<input checked="" type="checkbox"/> DISPOSAL SOIL	<input type="checkbox"/> NON-FRIABLE ASBESTOS
<input type="checkbox"/> CONSTRUCTION SOIL	<input type="checkbox"/> WOOD
<input type="checkbox"/> STOCK PILE	<input type="checkbox"/> ASH
	<input type="checkbox"/> OTHER

RECEIVING FACILITY

**FORWARD INC. LANDFILL**  
**9999 SOUTH AUSTIN ROAD**  
**MANTECA, CALIFORNIA 95336**  
**(209) 982-4298 PHONE**  
**(209) 982-1009 FAX**

GENERATING FACILITY  
**4550 San Pablo Ave      EMERYVILLE**

TRANSPORTER  
HAULER MUST COMPLETE

NAME  
**Conrad Son**  
ADDRESS  
**9493 So. Escalon / Bellota Rd.**  
CITY, STATE, ZIP  
**Escalon CA. 95320**  
PHONE  
**209. 986-5610**  
SIGNATURE OF AUTHORIZED AGENT OR DRIVER      DATE  
 \* *[Signature]*      9-28-95

TRACTOR LIC. #  
**5124647**  
TRAILER LIC. #  
**1VP75K1**  
TRUCK NUMBER  
**59**

END DUMP <input type="checkbox"/>	BOTTOM DUMP <input type="checkbox"/>	TRANSFER <input type="checkbox"/>
ROLL-OFF(S) <input type="checkbox"/>	FLAT-BED <input type="checkbox"/>	VAN <input type="checkbox"/>
		DRUMS <input type="checkbox"/>

FACILITY REQUIREMENTS

**FORWARD INC. LANDFILL**

Forward shall have no obligation to accept the waste if weather or other conditions impair the safe and effective disposal of the waste or if the waste impairs the safe and effective operation of the Landfill. Forward shall use reasonable efforts to promptly notify Disposer of its inability to accept the waste for any reason. If Forward's refusal to accept the waste is based on weather or other site conditions, Forward shall notify the Disposer when site conditions are expected to change such that Forward will be able to accept the waste.

REMARKS

FACILITY TICKET NUMBER

SIGNATURE OF AUTHORIZED AGENT      DATE  
 \* *[Signature]*      9-29-95

CUBIC YARDS		DISPOSAL METHOD: (TO BE COMPLETED BY FORWARD)				
		DISPOSE	BIO	AERATE	STOCKPILE	OTHER
<b>15</b>	<b>31.83</b>	<input checked="" type="checkbox"/>				
		<input type="checkbox"/> SOIL				
		<input type="checkbox"/> SLUDGE				
		<input type="checkbox"/> NON-FRIABLE ASBESTOS				
		<input type="checkbox"/> WOOD				
		<input type="checkbox"/> ASH				
		<input type="checkbox"/> OTHER				

SCHEDULING MUST BE MADE PRIOR TO 4:00 P.M. THE DAY PRIOR TO EXPECTED ARRIVAL • ANY UNSCHEDULED LOADS ARE SUBJECT TO REFUSAL UPON ARRIVAL. ONGOING DAILY DELIVERIES MUST BE SCHEDULED WITH THE LANDFILL THE DAY BEFORE. TO SCHEDULE CALL (209) 982-4298



# FORWARD INCORPORATED

## NON-HAZARDOUS WASTE MANIFEST WASTE TREATMENT AND DISPOSAL FACILITY

JOB ACCEPTANCE NO.

**749622**

TO BE COMPLETED BY THE GENERATOR

GENERATOR  
Berkeley Farms  
MAILING ADDRESS  
25500 Clawiter Road  
CITY, STATE, ZIP  
Hayward, CA  
PHONE  
CONTACT PERSON

REQUIRED PERSONAL PROTECTIVE EQUIPMENT  
 GLOVES    GOGGLES    RESPIRATOR    HARD HAT  
 TY-VEK    OTHER

SPECIAL HANDLING PROCEDURES:

SIGNATURE OF AUTHORIZED AGENT / TITLE      DATE  
 \* *[Signature]*      9-28-98

WASTE TYPE

<input type="checkbox"/> TREATMENT SOIL	<input type="checkbox"/> SLUDGE
<input checked="" type="checkbox"/> DISPOSAL SOIL	<input type="checkbox"/> NON-FRIABLE ASBESTOS
<input type="checkbox"/> CONSTRUCTION SOIL	<input type="checkbox"/> WOOD
<input type="checkbox"/> STOCK PILE	<input type="checkbox"/> ASH
	<input type="checkbox"/> OTHER

RECEIVING FACILITY  
  
**FORWARD INC. LANDFILL**  
 9999 SOUTH AUSTIN ROAD  
 MANTECA, CALIFORNIA 95336  
 (209) 982-4298 PHONE  
 (209) 982-1009 FAX

GENERATING FACILITY  
 4550 San Pablo Ave      **EMERYVILLE**

TRANSPORTER  
HAULER MUST COMPLETE

NAME  
*Conrad / San*  
 ADDRESS  
9493 So Escalon / Bellota Rd  
 CITY, STATE, ZIP  
Escalon CA 95320  
 PHONE  
209 886-5610  
 SIGNATURE OF AUTHORIZED AGENT OR DRIVER      DATE  
 \* *[Signature]*      9-28-98

TRACTOR LIC. #  
*555377*  
 TRAILER LIC. #  
*1WA3238*  
 TRUCK NUMBER  
*008*

END DUMP      BOTTOM DUMP      TRANSFER  
              
 ROLL-OFF(S)      FLAT-BED      VAN      DRUMS  
                 

FACILITY REQUIREMENTS

### FORWARD INC. LANDFILL

Forward shall have no obligation to accept the waste if weather or other conditions impair the safe and effective disposal of the waste or if the waste impairs the safe and effective operation of the Landfill. Forward shall use reasonable efforts to promptly notify Disposer of its inability to accept the waste for any reason. If Forward's refusal to accept the waste is based on weather or other site conditions, Forward shall notify the Disposer when site conditions are expected to change such that Forward will be able to accept the waste.

REMARKS  
 FACILITY TICKET NUMBER  
 SIGNATURE OF AUTHORIZED AGENT      DATE  
 \* *[Signature]*      9-28-98

CUBIC YARDS	<i>13</i> 22.81				
DISPOSAL METHOD (TO BE COMPLETED BY FORWARD)	DISPOSE	BIO	AERATE	STOCKPILE	OTHER
<input type="checkbox"/> SOIL	<input checked="" type="checkbox"/>				
<input type="checkbox"/> SLUDGE					
<input type="checkbox"/> NON-FRIABLE ASBESTOS					
<input type="checkbox"/> WOOD					
<input type="checkbox"/> ASH					
<input type="checkbox"/> OTHER					

SCHEDULING MUST BE MADE PRIOR TO 4:00 P.M. THE DAY PRIOR TO EXPECTED ARRIVAL • ANY UNSCHEDULED LOADS ARE SUBJECT TO REFUSAL UPON ARRIVAL. ONGOING DAILY DELIVERIES MUST BE SCHEDULED WITH THE LANDFILL THE DAY BEFORE. TO SCHEDULE CALL (209) 982-4298



# FORWARD INCORPORATED

NON-HAZARDOUS WASTE MANIFEST  
WASTE TREATMENT AND DISPOSAL FACILITY

JOB ACCEPTANCE NO.

**749622**

TO BE COMPLETED BY THE GENERATOR

GENERATOR  
Berkeley Farms  
MAILING ADDRESS  
25500 Clawiter Road

CITY, STATE, ZIP  
Hayward, CA

PHONE

CONTACT PERSON

SIGNATURE OF AUTHORIZED AGENT / TITLE

DATE

WASTE TYPE

- TREATMENT SOIL
- DISPOSAL SOIL
- CONSTRUCTION SOIL
- STOCK PILE

- SLUDGE
- NON-FRIABLE ASBESTOS
- WOOD
- ASH
- OTHER

GENERATING FACILITY

4530 San Pablo Ave

EMERYVILLE

REQUIRED PERSONAL PROTECTIVE EQUIPMENT

- GLOVES
- GOGGLES
- RESPIRATOR
- HARD HAT
- TY-VEK
- OTHER

SPECIAL HANDLING PROCEDURES:

RECEIVING FACILITY

FORWARD INC. LANDFILL  
9999 SOUTH AUSTIN ROAD  
MANTECA, CALIFORNIA 95336  
(209) 982-4298 PHONE  
(209) 982-1009 FAX

TRANSPORTER  
HAULER MUST COMPLETE

NAME

Conrad Son

ADDRESS

9493 So Escalon Bellota Rd

CITY, STATE, ZIP

Escalon CA 95320

PHONE

209 - 896-5677

SIGNATURE OF AUTHORIZED AGENT OR DRIVER

DATE

\* *[Signature]* 9-28-98

TRACTOR LIC. #

TRAILER LIC. #

TRAILER LIC. #

TRUCK NUMBER

J-9

END DUMP

- 
- ROLL-OFF(S)
- 

BOTTOM DUMP

- 
- FLAT-BED
- 

TRANSFER

- 
- VAN
- 
- DRUMS
- 

FACILITY REQUIREMENTS

## FORWARD INC. LANDFILL

Forward shall have no obligation to accept the waste if weather or other conditions impair the safe and effective disposal of the waste or if the waste impairs the safe and effective operation of the Landfill. Forward shall use reasonable efforts to promptly notify Disposer of its inability to accept the waste for any reason. If Forward's refusal to accept the waste is based on weather or other site conditions, Forward shall notify the Disposer when site conditions are expected to change such that Forward will be able to accept the waste.

REMARKS

FACILITY TICKET NUMBER

SIGNATURE OF AUTHORIZED AGENT

DATE

\* *[Signature]* 9-28-98

CUBIC YARDS

15 25.92

DISPOSAL METHOD: (TO BE COMPLETED BY FORWARD)

	DISPOSE	BIO	AERATE	STOCKPILE	OTHER
<input checked="" type="checkbox"/> SOIL					
<input type="checkbox"/> SLUDGE					
<input type="checkbox"/> NON-FRIABLE ASBESTOS					
<input type="checkbox"/> WOOD					
<input type="checkbox"/> ASH					
<input type="checkbox"/> OTHER					

SCHEDULING MUST BE MADE PRIOR TO 4:00 P.M. THE DAY PRIOR TO EXPECTED ARRIVAL • ANY UNSCHEDULED LOADS ARE SUBJECT TO REFUSAL UPON ARRIVAL. ONGOING DAILY DELIVERIES MUST BE SCHEDULED WITH THE LANDFILL THE DAY BEFORE. TO SCHEDULE CALL (209) 982-4298



# FORWARD INCORPORATED

## NON-HAZARDOUS WASTE MANIFEST WASTE TREATMENT AND DISPOSAL FACILITY

JOB ACCEPTANCE NO.

749622

TO BE COMPLETED BY THE GENERATOR

GENERATOR  
**Berkeley Farms**  
 MAILING ADDRESS  
 23500 Clawwater Road  
 CITY, STATE, ZIP  
 Hayward, CA  
 PHONE  
 CONTACT PERSON  
 SIGNATURE OF AUTHORIZED AGENT / TITLE  
 \* *Med [Signature]*  
 DATE  
 9-28-95

REQUIRED PERSONAL PROTECTIVE EQUIPMENT  
 GLOVES  GOGGLES  RESPIRATOR  HARD HAT  
 TY-VEK  OTHER

SPECIAL HANDLING PROCEDURES:

WASTE TYPE  
 TREATMENT SOIL  
 DISPOSAL SOIL  
 CONSTRUCTION SOIL  
 STOCK PILE  
 SLUDGE  
 NON-FRIABLE ASBESTOS  
 WOOD  
 ASH  
 OTHER

RECEIVING FACILITY  
**FORWARD INC. LANDFILL**  
 9999 SOUTH AUSTIN ROAD  
 MANTECA, CALIFORNIA 95336  
 (209) 982-4298 PHONE  
 (209) 982-1009 FAX

GENERATING FACILITY  
 4550 San Pablo Ave  
**EMERYVILLE**

TRANSPORTER  
HAULER MUST COMPLETE

NAME  
**Conrad Son**  
 ADDRESS  
 9423-50 Escalon Bellows RD  
 CITY, STATE, ZIP  
 Escalon CA 95320  
 PHONE  
 209-886-5610  
 SIGNATURE OF AUTHORIZED AGENT OR DRIVER  
 \* *[Signature]*  
 DATE  
 9-28-95

TRACTOR LIC. #  
**J Conrad**  
 TRAILER LIC. #  
**5TR8812**  
 TRAILER LIC. #  
 TRUCK NUMBER  
**1908**

END DUMP <input type="checkbox"/>	BOTTOM DUMP <input type="checkbox"/>	TRANSFER <input checked="" type="checkbox"/>
ROLL-OFF(S) <input type="checkbox"/>	FLAT-BED <input type="checkbox"/>	VAN <input type="checkbox"/>
	DRUMS <input type="checkbox"/>	

FACILITY REQUIREMENTS

**FORWARD INC. LANDFILL**  
 Forward shall have no obligation to accept the waste if weather or other conditions impair the safe and effective disposal of the waste or if the waste impairs the safe and effective operation of the Landfill. Forward shall use reasonable efforts to promptly notify Disposer of its inability to accept the waste for any reason. If Forward's refusal to accept the waste is based on weather or other site conditions, Forward shall notify the Disposer when site conditions are expected to change such that Forward will be able to accept the waste.  
 REMARKS  
 FACILITY TICKET NUMBER  
 SIGNATURE OF AUTHORIZED AGENT  
 \* *[Signature]*  
 DATE  
 9/28/95

CUBIC YARDS <b>28.59</b>																																			
DISPOSAL METHOD: (TO BE COMPLETED BY FORWARD)																																			
<table border="1"> <tr> <th>DISPOSE</th> <th>BIO</th> <th>AERATE</th> <th>STOCKPILE</th> <th>OTHER</th> </tr> <tr> <td><input checked="" type="checkbox"/> SOIL</td> <td></td> <td></td> <td></td> <td></td> </tr> <tr> <td><input type="checkbox"/> SLUDGE</td> <td></td> <td></td> <td></td> <td></td> </tr> <tr> <td><input type="checkbox"/> NON-FRIABLE ASBESTOS</td> <td></td> <td></td> <td></td> <td></td> </tr> <tr> <td><input type="checkbox"/> WOOD</td> <td></td> <td></td> <td></td> <td></td> </tr> <tr> <td><input type="checkbox"/> ASH</td> <td></td> <td></td> <td></td> <td></td> </tr> <tr> <td><input type="checkbox"/> OTHER</td> <td></td> <td></td> <td></td> <td></td> </tr> </table>	DISPOSE	BIO	AERATE	STOCKPILE	OTHER	<input checked="" type="checkbox"/> SOIL					<input type="checkbox"/> SLUDGE					<input type="checkbox"/> NON-FRIABLE ASBESTOS					<input type="checkbox"/> WOOD					<input type="checkbox"/> ASH					<input type="checkbox"/> OTHER				
DISPOSE	BIO	AERATE	STOCKPILE	OTHER																															
<input checked="" type="checkbox"/> SOIL																																			
<input type="checkbox"/> SLUDGE																																			
<input type="checkbox"/> NON-FRIABLE ASBESTOS																																			
<input type="checkbox"/> WOOD																																			
<input type="checkbox"/> ASH																																			
<input type="checkbox"/> OTHER																																			

SCHEDULING MUST BE MADE PRIOR TO 4:00 P.M. THE DAY PRIOR TO EXPECTED ARRIVAL • ANY UNSCHEDULED LOADS ARE SUBJECT TO REFUSAL UPON ARRIVAL. ONGOING DAILY DELIVERIES MUST BE SCHEDULED WITH THE LANDFILL THE DAY BEFORE. TO SCHEDULE CALL (209) 982-4298



# FORWARD INCORPORATED

## NON-HAZARDOUS WASTE MANIFEST WASTE TREATMENT AND DISPOSAL FACILITY

JOB ACCEPTANCE NO.

**749622**

TO BE COMPLETED BY THE GENERATOR

GENERATOR  
 Berkeley Farms  
 MAILING ADDRESS  
 25500 Clawiter Road  
 CITY, STATE, ZIP  
 Hayward, CA  
 PHONE  
 CONTACT PERSON  
 SIGNATURE OF AUTHORIZED AGENT / TITLE  
 \* *[Signature]*  
 DATE  
 9-25-98

REQUIRED PERSONAL PROTECTIVE EQUIPMENT  
 GLOVES  GOGGLES  RESPIRATOR  HARD HAT  
 TY-VEK  OTHER

SPECIAL HANDLING PROCEDURES:

WASTE TYPE  
 TREATMENT SOIL  
 DISPOSAL SOIL  
 CONSTRUCTION SOIL  
 STOCK PILE  
 SLUDGE  
 NON-FRIABLE ASBESTOS  
 WOOD  
 ASH  
 OTHER

RECEIVING FACILITY  
 FORWARD INC. LANDFILL  
 9999 SOUTH AUSTIN ROAD  
 MANTECA, CALIFORNIA 95336  
 (209) 982-4298 PHONE  
 (209) 982-1009 FAX

GENERATING FACILITY  
 4550 San Pablo Ave  
 EMERYVILLE

TRANSPORTER  
HAULER MUST COMPLETE

NAME  
 Conno / Son  
 ADDRESS  
 7493 So. Escalon / Bellota Rd  
 CITY, STATE, ZIP  
 Escalon CA 95320  
 PHONE  
 209-886-5610  
 SIGNATURE OF AUTHORIZED AGENT OR DRIVER  
 \* *[Signature]*  
 DATE  
 9-28-98

TRACTOR LIC. # 470-1600  
 TRUCK NUMBER  
 34-045  
 TRAILER LIC. # UN6508  
 TRAILER LIC. #

END-DUMP  BOTTOM DUMP  TRANSFER   
 ROLL-OFF(S)  FLAT-BED  VAN  DRUMS

FACILITY REQUIREMENTS

**FORWARD INC. LANDFILL**  
 Forward shall have no obligation to accept the waste if weather or other conditions impair the safe and effective disposal of the waste or if the waste impairs the safe and effective operation of the Landfill. Forward shall use reasonable efforts to promptly notify Disposer of its inability to accept the waste for any reason. If Forward's refusal to accept the waste is based on weather or other site conditions, Forward shall notify the Disposer when site conditions are expected to change such that Forward will be able to accept the waste.  
 REMARKS  
 FACILITY TICKET NUMBER  
 SIGNATURE OF AUTHORIZED AGENT  
 \* *[Signature]*  
 DATE  
 9/29/98

CUBIC YARDS	13	31.06			
DISPOSAL METHOD	(TO BE COMPLETED BY FORWARD)				
<input checked="" type="checkbox"/> SOIL	DISPOSE	BIO	AERATE	STOCKPILE	OTHER
<input type="checkbox"/> SLUDGE					
<input type="checkbox"/> NON-FRIABLE ASBESTOS					
<input type="checkbox"/> WOOD					
<input type="checkbox"/> ASH					
<input type="checkbox"/> OTHER					

SCHEDULING MUST BE MADE PRIOR TO 4:00 P.M. THE DAY PRIOR TO EXPECTED ARRIVAL • ANY UNSCHEDULED LOADS ARE SUBJECT TO REFUSAL UPON ARRIVAL. ONGOING DAILY DELIVERIES MUST BE SCHEDULED WITH THE LANDFILL THE DAY BEFORE. TO SCHEDULE CALL (209) 982-4298





# FORWARD INCORPORATED

## NON-HAZARDOUS WASTE MANIFEST WASTE TREATMENT AND DISPOSAL FACILITY

JOB ACCEPTANCE NO.

**749622**

TO BE COMPLETED BY THE GENERATOR

**GENERATOR**  
Berkeley Farms  
MAILING ADDRESS  
25500 Clawiter Road  
CITY, STATE, ZIP  
Hayward, CA  
PHONE  
CONTACT PERSON  
SIGNATURE OF AUTHORIZED AGENT / TITLE  
DATE  
9-28-99

**REQUIRED PERSONAL PROTECTIVE EQUIPMENT**  
 GLOVES     GOGGLES     RESPIRATOR     HARD HAT  
 TY-VEK     OTHER

**SPECIAL HANDLING PROCEDURES:**

**WASTE TYPE**

<input type="checkbox"/> TREATMENT SOIL	<input type="checkbox"/> SLUDGE
<input checked="" type="checkbox"/> DISPOSAL SOIL	<input type="checkbox"/> NON-FRIABLE ASBESTOS
<input type="checkbox"/> CONSTRUCTION SOIL	<input type="checkbox"/> WOOD
<input type="checkbox"/> STOCK PILE	<input type="checkbox"/> ASH
	<input type="checkbox"/> OTHER

**RECEIVING FACILITY**

**FORWARD INC. LANDFILL**  
9999 SOUTH AUSTIN ROAD  
MANTECA, CALIFORNIA 95336  
(209) 982-4298 PHONE  
(209) 982-1009 FAX

**GENERATING FACILITY**  
4550 San Pablo Ave                      EMERYVILLE

TRANSPORTER  
HAULER MUST COMPLETE

**NAME**  
Conrad, Son                      SJS  
**ADDRESS**  
9492 So. Escalon / Bellota Rd.  
**CITY, STATE, ZIP**  
Escalon CA 95320  
**PHONE**  
209-886-5610  
**SIGNATURE OF AUTHORIZED AGENT OR DRIVER**    **DATE**  
9-28-99

**TRACTOR LIC. #**  
7C15673  
**TRUCK NUMBER**  
59  
**TRAILER LIC. #**  
1B8375  
**TRAILER LIC. #**

<input checked="" type="checkbox"/> END DUMP	<input type="checkbox"/> BOTTOM DUMP	<input type="checkbox"/> TRANSFER
<input type="checkbox"/> ROLL-OFF(S)	<input type="checkbox"/> FLAT-BED	<input type="checkbox"/> VAN
<input type="checkbox"/>	<input type="checkbox"/>	<input type="checkbox"/> DRUMS

FACILITY REQUIREMENTS

**FORWARD INC. LANDFILL**

Forward shall have no obligation to accept the waste if weather or other conditions impair the safe and effective disposal of the waste or if the waste impairs the safe and effective operation of the Landfill. Forward shall use reasonable efforts to promptly notify Disposer of its inability to accept the waste for any reason. If Forward's refusal to accept the waste is based on weather or other site conditions, Forward shall notify the Disposer when site conditions are expected to change such that Forward will be able to accept the waste.

**REMARKS**

**FACILITY TICKET NUMBER**

**SIGNATURE OF AUTHORIZED AGENT**                      **DATE**  
9-28-99

<b>CUBIC YARDS</b>	23.47				
<b>DISPOSAL METHOD:</b>	(TO BE COMPLETED BY FORWARD)				
	DISPOSE	BIO	AERATE	STOCKPILE	OTHER
<input checked="" type="checkbox"/> SOIL					
<input type="checkbox"/> SLUDGE					
<input type="checkbox"/> NON-FRIABLE ASBESTOS					
<input type="checkbox"/> WOOD					
<input type="checkbox"/> ASH					
<input type="checkbox"/> OTHER					

SCHEDULING MUST BE MADE PRIOR TO 4:00 P.M. THE DAY PRIOR TO EXPECTED ARRIVAL • ANY UNSCHEDULED LOADS ARE SUBJECT TO REFUSAL UPON ARRIVAL. ONGOING DAILY DELIVERIES MUST BE SCHEDULED WITH THE LANDFILL THE DAY BEFORE. TO SCHEDULE CALL (209) 982-4298



# FORWARD INCORPORATED

## NON-HAZARDOUS WASTE MANIFEST WASTE TREATMENT AND DISPOSAL FACILITY

JOB ACCEPTANCE NO.

**749622**

TO BE COMPLETED BY THE GENERATOR

**GENERATOR**  
**Berkeley Farms**  
 MAILING ADDRESS  
 25500 Clawiter Road  
 CITY, STATE, ZIP  
 Hayward, CA  
 PHONE  
 CONTACT PERSON  
 SIGNATURE OF AUTHORIZED AGENT / TITLE  
 \* *[Signature]* DATE  
 9-25-98

**REQUIRED PERSONAL PROTECTIVE EQUIPMENT**  
 GLOVES  GOGGLES  RESPIRATOR  HARD HAT  
 TY-VEK  OTHER

SPECIAL HANDLING PROCEDURES:

**WASTE TYPE**

<input type="checkbox"/> TREATMENT SOIL	<input type="checkbox"/> SLUDGE
<input checked="" type="checkbox"/> DISPOSAL SOIL	<input type="checkbox"/> NON-FRIABLE ASBESTOS
<input type="checkbox"/> CONSTRUCTION SOIL	<input type="checkbox"/> WOOD
<input type="checkbox"/> STOCK PILE	<input type="checkbox"/> ASH
	<input type="checkbox"/> OTHER

**RECEIVING FACILITY**

**FORWARD INC. LANDFILL**  
 9999 SOUTH AUSTIN ROAD  
 MANTECA, CALIFORNIA 95336  
 (209) 982-4298 PHONE  
 (209) 982-1009 FAX

**GENERATING FACILITY**  
 4550 San Pablo Ave  
 EMERYVILLE

TRANSPORTER  
HAULER MUST COMPLETE

**NAME**  
*Company of Son*  
**ADDRESS**  
 9493 S Escalon Rd  
**CITY, STATE, ZIP**  
 Escalon Ca 95320  
**PHONE**  
 209-886-5610  
 SIGNATURE OF AUTHORIZED AGENT OR DRIVER  
 \* *[Signature]* DATE  
 9-28-98

**TRACTOR LIC. #**  
*[Signature]*  
**TRUCK NUMBER**  
 1908  
**TRAILER LIC. #**  
 ST28B12  
**TRAILER LIC. #**

<input type="checkbox"/> END DUMP	<input type="checkbox"/> BOTTOM DUMP	<input checked="" type="checkbox"/> TRANSFER
<input type="checkbox"/> ROLL-OFF(S)	<input type="checkbox"/> FLAT-BED	<input type="checkbox"/> VAN
	<input type="checkbox"/>	<input type="checkbox"/> DRUMS

FACILITY REQUIREMENTS

**FORWARD INC. LANDFILL**

Forward shall have no obligation to accept the waste if weather or other conditions impair the safe and effective disposal of the waste or if the waste impairs the safe and effective operation of the Landfill. Forward shall use reasonable efforts to promptly notify Disposer of its inability to accept the waste for any reason. If Forward's refusal to accept the waste is based on weather or other site conditions, Forward shall notify the Disposer when site conditions are expected to change such that Forward will be able to accept the waste.

REMARKS

FACILITY TICKET NUMBER

SIGNATURE OF AUTHORIZED AGENT  
 \* *[Signature]* DATE  
 9-28-98

**CUBIC YARDS**  
 10      26.60

DISPOSAL METHOD:	(TO BE COMPLETED BY FORWARD)				
	DISPOSE	BIO	AERATE	STOCKPILE	OTHER
<input checked="" type="checkbox"/> SOIL	<i>[Signature]</i>				
<input type="checkbox"/> SLUDGE					
<input type="checkbox"/> NON-FRIABLE ASBESTOS					
<input type="checkbox"/> WOOD					
<input type="checkbox"/> ASH					
<input type="checkbox"/> OTHER					

SCHEDULING MUST BE MADE PRIOR TO 4:00 P.M. THE DAY PRIOR TO EXPECTED ARRIVAL • ANY UNSCHEDULED LOADS ARE SUBJECT TO REFUSAL UPON ARRIVAL. ONGOING DAILY DELIVERIES MUST BE SCHEDULED WITH THE LANDFILL THE DAY BEFORE. TO SCHEDULE CALL (209) 982-4298

**JOB ACCEPTANCE NO.****749622****TO BE COMPLETED BY THE GENERATOR****GENERATOR**

**Berkeley Farms**  
**Mailing Address**  
 25300 Clawiter Road  
 Hayward, CA  
 PHONE

**CONTACT PERSON****SIGNATURE OF AUTHORIZED AGENT / TITLE**\* *[Signature]***DATE**

9-28-88

**REQUIRED PERSONAL PROTECTIVE EQUIPMENT**

GLOVES  GOGGLES  RESPIRATOR  HARD HAT  
 TY-VEK  OTHER

**SPECIAL HANDLING PROCEDURES:****WASTE TYPE**

TREATMENT SOIL  SLUDGE  
 DISPOSAL SOIL  NON-FRIABLE ASBESTOS  
 CONSTRUCTION SOIL  WOOD  
 STOCK PILE  ASH  
 OTHER

**RECEIVING FACILITY**

**FORWARD INC. LANDFILL**  
 9999 SOUTH AUSTIN ROAD  
 MANTECA, CALIFORNIA 95336  
 (209) 982-4298 PHONE  
 (209) 982-1009 FAX

**GENERATING FACILITY**

4530 San Pablo Ave **EMERYVILLE**

**TRANSPORTER  
HAULER MUST COMPLETE****NAME**

Carrion &amp; Son

**ADDRESS**

9493 Esplanade

**CITY, STATE, ZIP**

Folsom, CA 95630

**PHONE**

916-982-1111

**SIGNATURE OF AUTHORIZED AGENT OR DRIVER**\* *[Signature]***DATE****TRACTOR LIC. #**

9B35429

**TRAILER LIC. #**

14B-557

**TRAILER LIC. #****TRUCK NUMBER**

J-9

**END DUMP**  **BOTTOM DUMP**  **TRANSFER**   
**ROLL-OFF(S)**  **FLAT-BED**  **VAN**  **DRUMS**

**FORWARD INC. LANDFILL**

Forward shall have no obligation to accept the waste if weather or other conditions impair the safe and effective disposal of the waste or if the waste impairs the safe and effective operation of the Landfill. Forward shall use reasonable efforts to promptly notify Disposer of its inability to accept the waste for any reason. If Forward's refusal to accept the waste is based on weather or other site conditions, Forward shall notify the Disposer when site conditions are expected to change such that Forward will be able to accept the waste.

**REMARKS****FACILITY TICKET NUMBER****SIGNATURE OF AUTHORIZED AGENT**\* *[Signature]***DATE**

9-29-88

**CUBIC YARDS**

24.31

**DISPOSAL METHOD: (TO BE COMPLETED BY FORWARD)**

	DISPOSE	BIO	AERATE	STOCKPILE	OTHER
<input type="checkbox"/> SOIL					
<input type="checkbox"/> SLUDGE					
<input type="checkbox"/> NON-FRIABLE ASBESTOS					
<input type="checkbox"/> WOOD					
<input type="checkbox"/> ASH					
<input type="checkbox"/> OTHER					

**FACILITY REQUIREMENTS**

SCHEDULING MUST BE MADE PRIOR TO 4:00 P.M. THE DAY PRIOR TO EXPECTED ARRIVAL • ANY UNSCHEDULED LOADS ARE SUBJECT TO REFUSAL UPON ARRIVAL. ONGOING DAILY DELIVERIES MUST BE SCHEDULED WITH THE LANDFILL THE DAY BEFORE.  
**TO SCHEDULE CALL (209) 982-4298**



# FORWARD INCORPORATED

## NON-HAZARDOUS WASTE MANIFEST WASTE TREATMENT AND DISPOSAL FACILITY

JOB ACCEPTANCE NO.

**749622**

TO BE COMPLETED BY THE GENERATOR

GENERATOR:  
**Berkeley Farms**  
 MAILING ADDRESS  
**25300 Clawiter Road**  
 CITY, STATE, ZIP  
**Hayward, CA**  
 PHONE  
 CONTACT PERSON  
 SIGNATURE OF AUTHORIZED AGENT / TITLE  
 \* *M. Smith* DATE  
 9-28-98

REQUIRED PERSONAL PROTECTIVE EQUIPMENT  
 GLOVES  GOGGLES  RESPIRATOR  HARD HAT  
 TY-VEK  OTHER

SPECIAL HANDLING PROCEDURES:

WASTE TYPE

<input type="checkbox"/> TREATMENT SOIL	<input type="checkbox"/> SLUDGE
<input checked="" type="checkbox"/> DISPOSAL SOIL	<input type="checkbox"/> NON-FRIABLE ASBESTOS
<input type="checkbox"/> CONSTRUCTION SOIL	<input type="checkbox"/> WOOD
<input type="checkbox"/> STOCK PILE	<input type="checkbox"/> ASH
	<input type="checkbox"/> OTHER

RECEIVING FACILITY

**FORWARD INC. LANDFILL**  
**9999 SOUTH AUSTIN ROAD**  
**MANTECA, CALIFORNIA 95336**  
**(209) 982-4298 PHONE**  
**(209) 982-1009 FAX**

GENERATING FACILITY

**4520 San Pablo Ave** **EMERYVILLE**

TRANSPORTER  
HAULER MUST COMPLETE

NAME  
**CONRADE SAN**  
 ADDRESS  
**7473 So Escalon/Bellota Rd**  
 CITY, STATE, ZIP  
**Escalon**  
 PHONE  
**209 786 5410**  
 SIGNATURE OF AUTHORIZED AGENT OR DRIVER  
 \* *L. J. ...* DATE  
 9/28/98

TRACTOR LIC. #  
**9C15693**  
 TRAILER LIC. #  
**YB 8375**  
 TRAILER LIC. #

TRUCK NUMBER  
**59 #**

<input checked="" type="checkbox"/> END DUMP	<input type="checkbox"/> BOTTOM DUMP	<input type="checkbox"/> TRANSFER
<input type="checkbox"/> ROLL-OFF(S)	<input type="checkbox"/> FLAT-BED	<input type="checkbox"/> VAN
<input type="checkbox"/>	<input type="checkbox"/>	<input type="checkbox"/> DRUMS

FACILITY REQUIREMENTS

**FORWARD INC. LANDFILL**

Forward shall have no obligation to accept the waste if weather or other conditions impair the safe and effective disposal of the waste or if the waste impairs the safe and effective operation of the Landfill. Forward shall use reasonable efforts to promptly notify Disposer of its inability to accept the waste for any reason. If Forward's refusal to accept the waste is based on weather or other site conditions, Forward shall notify the Disposer when site conditions are expected to change such that Forward will be able to accept the waste.

REMARKS

FACILITY TICKET NUMBER

SIGNATURE OF AUTHORIZED AGENT  
 \* *[Signature]* DATE  
 9-28-98

CUBIC YARDS  
**10 20.47**

DISPOSAL METHOD:	DISPOSE	BIO	AERATE	STOCKPILE	OTHER
<input checked="" type="checkbox"/> SOIL					
<input type="checkbox"/> SLUDGE					
<input type="checkbox"/> NON-FRIABLE ASBESTOS					
<input type="checkbox"/> WOOD					
<input type="checkbox"/> ASH					
<input type="checkbox"/> OTHER					



# FORWARD INCORPORATED

## NON-HAZARDOUS WASTE MANIFEST WASTE TREATMENT AND DISPOSAL FACILITY

JOB ACCEPTANCE NO.

**749622**

TO BE COMPLETED BY THE GENERATOR

GENERATOR  
**Berkeley Farms**  
 MAILING ADDRESS  
**25500 Clawiter Road**  
 CITY, STATE, ZIP  
**Hayward, CA**  
 PHONE  
 CONTACT PERSON  
 SIGNATURE OF AUTHORIZED AGENT / TITLE  
 \* *Mark Smith* DATE  
 9-25-95

REQUIRED PERSONAL PROTECTIVE EQUIPMENT  
 GLOVES  GOGGLES  RESPIRATOR  HARD HAT  
 TY-VEK  OTHER

SPECIAL HANDLING PROCEDURES:

WASTE TYPE

<input type="checkbox"/> TREATMENT SOIL	<input type="checkbox"/> SLUDGE
<input checked="" type="checkbox"/> DISPOSAL SOIL	<input type="checkbox"/> NON-FRIABLE ASBESTOS
<input type="checkbox"/> CONSTRUCTION SOIL	<input type="checkbox"/> WOOD
<input type="checkbox"/> STOCK PILE	<input type="checkbox"/> ASH
	<input type="checkbox"/> OTHER

RECEIVING FACILITY

**FORWARD INC. LANDFILL**  
**9999 SOUTH AUSTIN ROAD**  
**MANTECA, CALIFORNIA 95336**  
**(209) 982-4298 PHONE**  
**(209) 982-1009 FAX**

GENERATING FACILITY  
**4550 San Pablo Ave** **EMERYVILLE**

TRANSPORTER  
HAULER MUST COMPLETE

NAME  
**CONRAD & SON TRUCKING**  
 ADDRESS  
**7493 SO. ESCALON RD**  
 CITY, STATE, ZIP  
**ESCALON, CA**  
 PHONE  
**(209) 886-5610**  
 SIGNATURE OF AUTHORIZED AGENT OR DRIVER  
 \* *Edwin Hernandez* DATE  
 9-28-95

TRACTOR LIC. #  
**5855377**  
 TRAILER LIC. #  
**1WA 3238**  
 TRAILER LIC. #

TRUCK NUMBER  
**008**

END DUMP <input checked="" type="checkbox"/>	BOTTOM DUMP <input type="checkbox"/>	TRANSFER <input type="checkbox"/>
ROLL-OFF(S) <input type="checkbox"/>	FLAT-BED <input type="checkbox"/>	VAN <input type="checkbox"/>
	DRUMS <input type="checkbox"/>	

FACILITY REQUIREMENTS

**FORWARD INC. LANDFILL**

Forward shall have no obligation to accept the waste if weather or other conditions impair the safe and effective disposal of the waste or if the waste impairs the safe and effective operation of the Landfill. Forward shall use reasonable efforts to promptly notify Disposer of its inability to accept the waste for any reason. If Forward's refusal to accept the waste is based on weather or other site conditions, Forward shall notify the Disposer when site conditions are expected to change such that Forward will be able to accept the waste.

REMARKS

FACILITY TICKET NUMBER

SIGNATURE OF AUTHORIZED AGENT  
 \* *[Signature]* DATE

DISPOSAL METHOD	CUBIC YARDS			
	DISPOSE	BIO	AERATE	STOCKPILE
<input checked="" type="checkbox"/> SOIL	10	22.79		
<input type="checkbox"/> SLUDGE				
<input type="checkbox"/> NON-FRIABLE ASBESTOS				
<input type="checkbox"/> WOOD				
<input type="checkbox"/> ASH				
<input type="checkbox"/> OTHER				

(TO BE COMPLETED BY FORWARD)



# FORWARD INCORPORATED

## NON-HAZARDOUS WASTE MANIFEST WASTE TREATMENT AND DISPOSAL FACILITY

JOB ACCEPTANCE NO.

**749622**

TO BE COMPLETED BY THE GENERATOR

GENERATOR  
**Berkeley Farms**  
MAILING ADDRESS  
**25300 Clawiter Road**  
CITY, STATE, ZIP  
**Hayward, CA**  
PHONE  
CONTACT PERSON  
SIGNATURE OF AUTHORIZED AGENT / TITLE  
DATE

REQUIRED PERSONAL PROTECTIVE EQUIPMENT  
 GLOVES    GOGGLES    RESPIRATOR    HARD HAT  
 TY-VEK    OTHER

SPECIAL HANDLING PROCEDURES:

WASTE TYPE

<input type="checkbox"/> TREATMENT SOIL	<input type="checkbox"/> SLUDGE
<input checked="" type="checkbox"/> DISPOSAL SOIL	<input type="checkbox"/> NON-FRIABLE ASBESTOS
<input type="checkbox"/> CONSTRUCTION SOIL	<input type="checkbox"/> WOOD
<input type="checkbox"/> STOCK PILE	<input type="checkbox"/> ASH
	<input type="checkbox"/> OTHER

RECEIVING FACILITY

**FORWARD INC. LANDFILL**  
**9999 SOUTH AUSTIN ROAD**  
**MANTECA, CALIFORNIA 95336**  
**(209) 982-4298 PHONE**  
**(209) 982-1009 FAX**

GENERATING FACILITY  
**4550 San Pablo Ave**                      **EMERYVILLE**

TRANSPORTER  
HAULER MUST COMPLETE

NAME  
**CONRAD & SON TRUCKING**  
ADDRESS  
**9493 ESCALON RD**  
CITY, STATE, ZIP  
**ESCALON, CA 95320**  
PHONE  
**(209) 886-3610**  
SIGNATURE OF AUTHORIZED AGENT OR DRIVER  
DATE

TRACTOR LIC. #  
**555577**  
TRUCKER LIC. #  
**1WA3238**  
TRAILER LIC. #  
**008**

END DUMP <input checked="" type="checkbox"/>	BOTTOM DUMP <input type="checkbox"/>	TRANSFER <input type="checkbox"/>
ROLL-OFF(S) <input type="checkbox"/>	FLAT-BED <input type="checkbox"/>	VAN <input type="checkbox"/>
	DRUMS <input type="checkbox"/>	

FACILITY REQUIREMENTS

**FORWARD INC. LANDFILL**

Forward shall have no obligation to accept the waste if weather or other conditions impair the safe and effective disposal of the waste or if the waste impairs the safe and effective operation of the Landfill. Forward shall use reasonable efforts to promptly notify Disposer of its inability to accept the waste for any reason. If Forward's refusal to accept the waste is based on weather or other site conditions, Forward shall notify the Disposer when site conditions are expected to change such that Forward will be able to accept the waste.

REMARKS  
FACILITY TICKET NUMBER  
SIGNATURE OF AUTHORIZED AGENT  
DATE

CUBIC YARDS  
**24.72**

DISPOSAL METHOD: (TO BE COMPLETED BY FORWARD)

	DISPOSE	BIO	AERATE	STOCKPILE	OTHER
<input checked="" type="checkbox"/> SOIL					
<input type="checkbox"/> SLUDGE					
<input type="checkbox"/> NON-FRIABLE ASBESTOS					
<input type="checkbox"/> WOOD					
<input type="checkbox"/> ASH					
<input type="checkbox"/> OTHER					



# FORWARD INCORPORATED

## NON-HAZARDOUS WASTE MANIFEST WASTE TREATMENT AND DISPOSAL FACILITY

JOB ACCEPTANCE NO.

**749622**

TO BE COMPLETED BY THE GENERATOR

GENERATOR  
**Berkeley Farms**  
MAILING ADDRESS  
**25500 Clawiter Road**

CITY, STATE, ZIP  
**Hayward, CA**

PHONE

CONTACT PERSON

SIGNATURE OF AUTHORIZED AGENT / TITLE

DATE

WASTE TYPE

- TREATMENT SOIL
- DISPOSAL SOIL
- CONSTRUCTION SOIL
- STOCK PILE

- SLUDGE
- NON-FRIABLE ASBESTOS
- WOOD
- ASH
- OTHER

GENERATING FACILITY

**4550 San Pablo Ave**

**EMERYVILLE**

REQUIRED PERSONAL PROTECTIVE EQUIPMENT

- GLOVES  GOGGLES  RESPIRATOR  HARD HAT
- TY-VEK  OTHER

SPECIAL HANDLING PROCEDURES:

RECEIVING FACILITY

**FORWARD INC. LANDFILL**  
**9999 SOUTH AUSTIN ROAD**  
**MANTECA, CALIFORNIA 95336**  
**(209) 982-4298 PHONE**  
**(209) 982-1009 FAX**

TRANSPORTER  
HAULER MUST COMPLETE

NAME

**CONRAD & SON SJS**

ADDRESS

**7493 So Escalon Bellota Rd**

CITY, STATE, ZIP

**Escalon**

PHONE

**(209) 386-5610**

SIGNATURE OF AUTHORIZED AGENT OR DRIVER

DATE

**7-27-77**

TRACTOR LIC. #

**9C15673**

TRAILER LIC. #

**VB 8375**

TRAILER LIC. #

TRUCK NUMBER

**57**

END DUMP

BOTTOM DUMP

TRANSFER

ROLL-OFF(S)

FLAT-BED

VAN

DRUMS

### FORWARD INC. LANDFILL

Forward shall have no obligation to accept the waste if weather or other conditions impair the safe and effective disposal of the waste or if the waste impairs the safe and effective operation of the Landfill. Forward shall use reasonable efforts to promptly notify Disposer of its inability to accept the waste for any reason. If Forward's refusal to accept the waste is based on weather or other site conditions, Forward shall notify the Disposer when site conditions are expected to change such that Forward will be able to accept the waste.

REMARKS

FACILITY TICKET NUMBER

SIGNATURE OF AUTHORIZED AGENT

DATE

**\***

CUBIC YARDS

**20.27**

DISPOSAL METHOD: (TO BE COMPLETED BY FORWARD)

	DISPOSE	BIO	AERATE	STOCKPILE	OTHER
<input checked="" type="checkbox"/> SOIL					
<input type="checkbox"/> SLUDGE					
<input type="checkbox"/> NON-FRIABLE ASBESTOS					
<input type="checkbox"/> WOOD					
<input type="checkbox"/> ASH					
<input type="checkbox"/> OTHER					

SCHEDULING MUST BE MADE PRIOR TO 4:00 P.M. THE DAY PRIOR TO EXPECTED ARRIVAL • ANY UNSCHEDULED LOADS ARE SUBJECT TO REFUSAL UPON ARRIVAL. ONGOING DAILY DELIVERIES MUST BE SCHEDULED WITH THE LANDFILL THE DAY BEFORE.  
**TO SCHEDULE CALL (209) 982-4298**



# FORWARD INCORPORATED

## NON-HAZARDOUS WASTE MANIFEST WASTE TREATMENT AND DISPOSAL FACILITY

JOB ACCEPTANCE NO.

**749622**

TO BE COMPLETED BY THE GENERATOR

GENERATOR  
Berkeley Farms  
MAILING ADDRESS  
25300 Clawiter Road

CITY, STATE, ZIP  
Hayward, CA

PHONE

CONTACT PERSON

SIGNATURE OF AUTHORIZED AGENT / TITLE

DATE

WASTE TYPE

- TREATMENT SOIL
- DISPOSAL SOIL
- CONSTRUCTION SOIL
- STOCK PILE

- SLUDGE
- NON-FRIABLE ASBESTOS
- WOOD
- ASH
- OTHER

REQUIRED PERSONAL PROTECTIVE EQUIPMENT

- GLOVES  GOGGLES  RESPIRATOR  HARD HAT
- TY-VEK  OTHER

SPECIAL HANDLING PROCEDURES:

GENERATING FACILITY:

4550 San Pablo Ave

EMERYVILLE

RECEIVING FACILITY

FORWARD INC. LANDFILL  
9999 SOUTH AUSTIN ROAD  
MANTECA, CALIFORNIA 95336  
(209) 982-4298 PHONE  
(209) 982-1009 FAX

TRANSPORTER  
HAULER MUST COMPLETE

NAME

ADDRESS

CITY, STATE, ZIP

PHONE

SIGNATURE OF AUTHORIZED AGENT OR DRIVER

DATE

TRACTOR LIC. #

TRUCK NUMBER

TRAILER LIC. #

TRAILER LIC. #

END DUMP

BOTTOM DUMP

TRANSFER

ROLL-OFF(S)

FLAT-BED

VAN

DRUMS

### FORWARD INC. LANDFILL

Forward shall have no obligation to accept the waste if weather or other conditions impair the safe and effective disposal of the waste or if the waste impairs the safe and effective operation of the Landfill. Forward shall use reasonable efforts to promptly notify Disposer of its inability to accept the waste for any reason. If Forward's refusal to accept the waste is based on weather or other site conditions, Forward shall notify the Disposer when site conditions are expected to change such that Forward will be able to accept the waste.

REMARKS

FACILITY TICKET NUMBER

SIGNATURE OF AUTHORIZED AGENT

DATE

CUBIC YARDS

18 25.99

DISPOSAL METHOD: (TO BE COMPLETED BY FORWARD)

	DISPOSE	BIO	AERATE	STOCKPILE	OTHER
<input checked="" type="checkbox"/> SOIL	F				
<input type="checkbox"/> SLUDGE					
<input type="checkbox"/> NON-FRIABLE ASBESTOS					
<input type="checkbox"/> WOOD					
<input type="checkbox"/> ASH					
<input type="checkbox"/> OTHER					

SCHEDULING MUST BE MADE PRIOR TO 4:00 P.M. THE DAY PRIOR TO EXPECTED ARRIVAL • ANY UNSCHEDULED LOADS ARE SUBJECT TO REFUSAL UPON ARRIVAL. ONGOING DAILY DELIVERIES MUST BE SCHEDULED WITH THE LANDFILL THE DAY BEFORE. TO SCHEDULE CALL (209) 982-4298





# FORWARD INCORPORATED

## NON-HAZARDOUS WASTE MANIFEST WASTE TREATMENT AND DISPOSAL FACILITY

JOB ACCEPTANCE NO.

**749622**

TO BE COMPLETED BY THE GENERATOR

**GENERATOR**

**Berkeley Farms**  
MAILING ADDRESS  
25500 Clawiter Road  
CITY, STATE, ZIP  
Hayward, CA  
PHONE

CONTACT PERSON

SIGNATURE OF AUTHORIZED AGENT / TITLE

DATE

WASTE TYPE

- TREATMENT SOIL
- DISPOSAL SOIL
- CONSTRUCTION SOIL
- STOCK PILE

- SLUDGE
- NON-FRIABLE ASBESTOS
- WOOD
- ASH
- OTHER

GENERATING FACILITY

4350 San Pablo Ave  
EMERYVILLE

REQUIRED PERSONAL PROTECTIVE EQUIPMENT

- GLOVES
- GOGGLES
- RESPIRATOR
- HARD HAT
- TY-VEK
- OTHER

SPECIAL HANDLING PROCEDURES:

RECEIVING FACILITY

FORWARD INC. LANDFILL  
9999 SOUTH AUSTIN ROAD  
MANTECA, CALIFORNIA 95336  
(209) 982-4298 PHONE  
(209) 982-1009 FAX

TRANSPORTER  
HAULER MUST COMPLETE

NAME

ADDRESS

CITY, STATE, ZIP

PHONE

SIGNATURE OF AUTHORIZED AGENT OR DRIVER

DATE

TRACTOR LIC.#

TRAILER LIC.#

TRAILER LIC.#

TRUCK NUMBER

END DUMP

BOTTOM DUMP

TRANSFER

ROLL-OFF(S)

FLAT-BED

VAN

DRUMS

### FORWARD INC. LANDFILL

Forward shall have no obligation to accept the waste if weather or other conditions impair the safe and effective disposal of the waste or if the waste impairs the safe and effective operation of the Landfill. Forward shall use reasonable efforts to promptly notify Disposer of its inability to accept the waste for any reason. If Forward's refusal to accept the waste is based on weather or other site conditions, Forward shall notify the Disposer when site conditions are expected to change such that Forward will be able to accept the waste.

REMARKS

FACILITY TICKET NUMBER

SIGNATURE OF AUTHORIZED AGENT

DATE

CUBIC YARDS

27.01

DISPOSAL METHOD: (TO BE COMPLETED BY FORWARD)

	DISPOSE	BIO	AERATE	STOCKPILE	OTHER
<input checked="" type="checkbox"/> SOIL					
<input type="checkbox"/> SLUDGE					
<input type="checkbox"/> NON-FRIABLE ASBESTOS					
<input type="checkbox"/> WOOD					
<input type="checkbox"/> ASH					
<input type="checkbox"/> OTHER					

SCHEDULING MUST BE MADE PRIOR TO 4:00 P.M. THE DAY PRIOR TO EXPECTED ARRIVAL • ANY UNSCHEDULED LOADS ARE SUBJECT TO REFUSAL UPON ARRIVAL. ONGOING DAILY DELIVERIES MUST BE SCHEDULED WITH THE LANDFILL THE DAY BEFORE. TO SCHEDULE CALL (209) 982-4298

FO1 (C951 1NH) 8-98

SALES COPY

MANIFEST # C 663033



# FORWARD INCORPORATED

## NON-HAZARDOUS WASTE MANIFEST WASTE TREATMENT AND DISPOSAL FACILITY

JOB ACCEPTANCE NO.

**749622**

TO BE COMPLETED BY THE GENERATOR

GENERATOR  
**Berkeley Farms**  
 MAILING ADDRESS  
**25500 Clawiter Road**  
 CITY, STATE, ZIP  
**Hayward, CA**  
 PHONE  
 CONTACT PERSON  
 SIGNATURE OF AUTHORIZED AGENT / TITLE  
 \* *[Signature]* DATE  
 9.28.98

REQUIRED PERSONAL PROTECTIVE EQUIPMENT  
 GLOVES  GOGGLES  RESPIRATOR  HARD HAT  
 TY-VEK  OTHER

SPECIAL HANDLING PROCEDURES:

WASTE TYPE

<input type="checkbox"/> TREATMENT SOIL	<input type="checkbox"/> SLUDGE
<input checked="" type="checkbox"/> DISPOSAL SOIL	<input type="checkbox"/> NON-FRIABLE ASBESTOS
<input type="checkbox"/> CONSTRUCTION SOIL	<input type="checkbox"/> WOOD
<input type="checkbox"/> STOCK PILE	<input type="checkbox"/> ASH
	<input type="checkbox"/> OTHER

RECEIVING FACILITY

**FORWARD INC. LANDFILL**  
**9999 SOUTH AUSTIN ROAD**  
**MANTECA, CALIFORNIA 95336**  
**(209) 982-4298 PHONE**  
**(209) 982-1009 FAX**

GENERATING FACILITY

**4550 San Pablo Ave** **EMERYVILLE**

TRANSPORTER  
HAULER MUST COMPLETE

NAME  
**Conrad / Son**  
 ADDRESS  
**9493 So Escalon Bldg Rd**  
 CITY, STATE, ZIP  
**Escalon, CA 95320**  
 PHONE  
**209 - 886 - 5610**  
 SIGNATURE OF AUTHORIZED AGENT OR DRIVER  
 \* *[Signature]* DATE  
 9.28.98

TRACTOR LIC. #  
**5D24647**  
 TRAILER LIC. #  
**10P7574**  
 TRUCK NUMBER  
**39**

END DUMP <input type="checkbox"/>	BOTTOM DUMP <input type="checkbox"/>	TRANSFER <input type="checkbox"/>
ROLL-OFF(S) <input type="checkbox"/>	FLAT-BED <input type="checkbox"/>	VAN <input type="checkbox"/>
	DRUMS <input type="checkbox"/>	

FACILITY REQUIREMENTS

**FORWARD INC. LANDFILL**

Forward shall have no obligation to accept the waste if weather or other conditions impair the safe and effective disposal of the waste or if the waste impairs the safe and effective operation of the Landfill. Forward shall use reasonable efforts to promptly notify Disposer of its inability to accept the waste for any reason. If Forward's refusal to accept the waste is based on weather or other site conditions, Forward shall notify the Disposer when site conditions are expected to change such that Forward will be able to accept the waste.

REMARKS

FACILITY TICKET NUMBER

SIGNATURE OF AUTHORIZED AGENT  
 \* *[Signature]* DATE  
 9.28.98

CUBIC YARDS  
**35.22**

DISPOSAL METHOD:	(TO BE COMPLETED BY FORWARD)				
	DISPOSE	BIO	AERATE	STOCKPILE	OTHER
<input type="checkbox"/> SOIL					
<input type="checkbox"/> SLUDGE					
<input type="checkbox"/> NON-FRIABLE ASBESTOS					
<input type="checkbox"/> WOOD					
<input type="checkbox"/> ASH					
<input type="checkbox"/> OTHER					



# FORWARD INCORPORATED

NON-HAZARDOUS WASTE MANIFEST  
WASTE TREATMENT AND DISPOSAL FACILITY

JOB ACCEPTANCE NO.

**749622**

TO BE COMPLETED BY THE GENERATOR

**GENERATOR**

**Berkeley Farms**  
MAILING ADDRESS  
25300 Clawiter Road  
CITY, STATE, ZIP  
Hayward, CA  
PHONE

CONTACT PERSON

SIGNATURE OF AUTHORIZED AGENT / TITLE

\* *[Signature]*

DATE

9-29-98

**REQUIRED PERSONAL PROTECTIVE EQUIPMENT**

GLOVES  GOGGLES  RESPIRATOR  HARD HAT  
 TY-VEK  OTHER

SPECIAL HANDLING PROCEDURES:

**WASTE TYPE**

TREATMENT SOIL  SLUDGE  
 DISPOSAL SOIL  NON-FRIABLE ASBESTOS  
 CONSTRUCTION SOIL  WOOD  
 STOCK PILE  ASH  
 OTHER

**RECEIVING FACILITY**

**FORWARD INC. LANDFILL**  
9999 SOUTH AUSTIN ROAD  
MANTECA, CALIFORNIA 95336  
(209) 982-4298 PHONE  
(209) 982-1009 FAX

**GENERATING FACILITY**

4530 San Pablo Ave **EMERYVILLE**

TRANSPORTER  
HAULER MUST COMPLETE

**NAME**

*Conrad, Son*

**ADDRESS**

9453 So Escalon / Bellfield Rd

**CITY, STATE, ZIP**

Escalon - CA 95320

**PHONE**

209-856-5613

SIGNATURE OF AUTHORIZED AGENT OR DRIVER

\* *[Signature]*

DATE

9-29-98

**TRACTOR LIC. #**

5555377

**TRAILER LIC. #**

1WA3238

**TRAILER LIC. #**

**TRUCK NUMBER**

008

**END DUMP**

**BOTTOM DUMP**

**TRANSFER**

**ROLL-OFF(S)**

**FLAT-BED**

**VAN**

**DRUMS**

FACILITY REQUIREMENTS

**FORWARD INC. LANDFILL**

Forward shall have no obligation to accept the waste if weather or other conditions impair the safe and effective disposal of the waste or if the waste impairs the safe and effective operation of the Landfill. Forward shall use reasonable efforts to promptly notify Disposer of its inability to accept the waste for any reason. If Forward's refusal to accept the waste is based on weather or other site conditions, Forward shall notify the Disposer when site conditions are expected to change such that Forward will be able to accept the waste.

REMARKS

FACILITY TICKET NUMBER

SIGNATURE OF AUTHORIZED AGENT

\* *[Signature]*

DATE

9/29/98

**CUBIC YARDS**

25.30

**DISPOSAL METHOD: (TO BE COMPLETED BY FORWARD)**

	DISPOSE	BIO	AERATE	STOCKPILE	OTHER
<input checked="" type="checkbox"/> SOIL					
<input type="checkbox"/> SLUDGE					
<input type="checkbox"/> NON-FRIABLE ASBESTOS					
<input type="checkbox"/> WOOD					
<input type="checkbox"/> ASH					
<input type="checkbox"/> OTHER					

SCHEDULING MUST BE MADE PRIOR TO 4:00 P.M. THE DAY PRIOR TO EXPECTED ARRIVAL • ANY UNSCHEDULED LOADS ARE SUBJECT TO REFUSAL UPON ARRIVAL. ONGOING DAILY DELIVERIES MUST BE SCHEDULED WITH THE LANDFILL THE DAY BEFORE. TO SCHEDULE CALL (209) 982-4298



JOB ACCEPTANCE NO.

**749622**

TO BE COMPLETED BY THE GENERATOR

GENERATOR  
**Berkeley Farms**

MAILING ADDRESS  
**25500 Clawiter Road**

CITY, STATE, ZIP  
**Hayward, CA**

PHONE

CONTACT PERSON

SIGNATURE OF AUTHORIZED AGENT / TITLE  
*\* Mel Smith*

DATE  
**9-29-99**

REQUIRED PERSONAL PROTECTIVE EQUIPMENT

GLOVES  GOGGLES  RESPIRATOR  HARD HAT

TY-VEK  OTHER

SPECIAL HANDLING PROCEDURES:

WASTE TYPE

<input type="checkbox"/> TREATMENT SOIL	<input type="checkbox"/> SLUDGE
<input checked="" type="checkbox"/> DISPOSAL SOIL	<input type="checkbox"/> NON-FRIABLE ASBESTOS
<input type="checkbox"/> CONSTRUCTION SOIL	<input type="checkbox"/> WOOD
<input type="checkbox"/> STOCK PILE	<input type="checkbox"/> ASH
	<input type="checkbox"/> OTHER

RECEIVING FACILITY

**FORWARD INC. LANDFILL**  
**9999 SOUTH AUSTIN ROAD**  
**MANTECA, CALIFORNIA 95336**  
**(209) 982-4298 PHONE**  
**(209) 982-1009 FAX**

GENERATING FACILITY

**4550 San Pablo Ave** **EMERYVILLE**

TRANSPORTER  
HAULER MUST COMPLETE

NAME  
*Conrad G. Son*

ADDRESS  
*9193 E. 5th St. Hayward, CA*

CITY, STATE, ZIP  
*Hayward, CA 94520*

PHONE  
*888-5510*

SIGNATURE OF AUTHORIZED AGENT OR DRIVER  
*\* [Signature]*

DATE  
**9-29**

TRACTOR LIC. # *9B35-29*

TRUCK NUMBER *J-9*

TRAILER LIC. # *12B4057*

END DUMP <input checked="" type="checkbox"/>	BOTTOM DUMP <input type="checkbox"/>	TRANSFER <input type="checkbox"/>
ROLL-OFF(S) <input type="checkbox"/>	FLAT-BED <input type="checkbox"/>	VAN <input type="checkbox"/>
		DRUMS <input type="checkbox"/>

FACILITY REQUIREMENTS

**FORWARD INC. LANDFILL**

Forward shall have no obligation to accept the waste if weather or other conditions impair the safe and effective disposal of the waste or if the waste impairs the safe and effective operation of the Landfill. Forward shall use reasonable efforts to promptly notify Disposer of its inability to accept the waste for any reason. If Forward's refusal to accept the waste is based on weather or other site conditions, Forward shall notify the Disposer when site conditions are expected to change such that Forward will be able to accept the waste.

REMARKS

FACILITY TICKET NUMBER

SIGNATURE OF AUTHORIZED AGENT  
*\* Mike Ford*

DATE  
**9/29/99**

CUBIC YARDS *24.42*

DISPOSAL METHOD:	DISPOSE	BIO	AERATE	STOCKPILE	OTHER
<input checked="" type="checkbox"/> SOIL					
<input type="checkbox"/> SLUDGE					
<input type="checkbox"/> NON-FRIABLE ASBESTOS					
<input type="checkbox"/> WOOD					
<input checked="" type="checkbox"/> ASH					
<input type="checkbox"/> OTHER					



# FORWARD INCORPORATED

NON-HAZARDOUS WASTE MANIFEST  
WASTE TREATMENT AND DISPOSAL FACILITY

JOB ACCEPTANCE NO.

**749622**

TO BE COMPLETED BY THE GENERATOR

**GENERATOR**

Berkeley Farms  
MAILING ADDRESS  
25500 Clawiter Road  
CITY, STATE, ZIP  
Hayward, CA  
PHONE

CONTACT PERSON

SIGNATURE OF AUTHORIZED AGENT / TITLE

DATE

\* *[Signature]*

9-29-98

**WASTE TYPE**

- |   |   |
|---|---|
| <input type="checkbox"/> TREATMENT SOIL           | <input type="checkbox"/> SLUDGE               |
| <input checked="" type="checkbox"/> DISPOSAL SOIL | <input type="checkbox"/> NON-FRIABLE ASBESTOS |
| <input type="checkbox"/> CONSTRUCTION SOIL        | <input type="checkbox"/> WOOD                 |
| <input type="checkbox"/> STOCK PILE               | <input type="checkbox"/> ASH                  |
|   | <input type="checkbox"/> OTHER                |

**GENERATING FACILITY**

4550 San Pablo Ave EMERYVILLE

**REQUIRED PERSONAL PROTECTIVE EQUIPMENT**

- GLOVES  GOGGLES  RESPIRATOR  HARD HAT  
 TY-VEK  OTHER

**SPECIAL HANDLING PROCEDURES:**

**RECEIVING FACILITY**

FORWARD INC. LANDFILL  
9999 SOUTH AUSTIN ROAD  
MANTECA, CALIFORNIA 95336  
(209) 982-4298 PHONE  
(209) 982-1009 FAX

TRANSPORTER  
HAULER MUST COMPLETE

**NAME**

**ADDRESS**

**CITY, STATE, ZIP**

**PHONE**

**SIGNATURE OF AUTHORIZED AGENT OR DRIVER**

**DATE**

\* *[Signature]*

9-29-98

**TRACTOR LIC #**

**TRUCK NUMBER**

**TRAILER LIC #**

**TRAILER LIC #**

**END DUMP**

**BOTTOM DUMP**

**TRANSFER**

**ROLL-OFF(S)**

**FLAT-BED**

**VAN**

**DRUMS**

**CUBIC YARDS**

15 23.78

**DISPOSAL METHOD: (TO BE COMPLETED BY FORWARD)**

	DISPOSE	BIO	AERATE	STOCKPILE	OTHER
<input checked="" type="checkbox"/> SOIL					
<input type="checkbox"/> SLUDGE					
<input type="checkbox"/> NON-FRIABLE ASBESTOS					
<input type="checkbox"/> WOOD					
<input type="checkbox"/> ASH					
<input type="checkbox"/> OTHER					

FACILITY REQUIREMENTS

**FORWARD INC. LANDFILL**

Forward shall have no obligation to accept the waste if weather or other conditions impair the safe and effective disposal of the waste or if the waste impairs the safe and effective operation of the Landfill. Forward shall use reasonable efforts to promptly notify Disposer of its inability to accept the waste for any reason. If Forward's refusal to accept the waste is based on weather or other site conditions, Forward shall notify the Disposer when site conditions are expected to change such that Forward will be able to accept the waste.

**REMARKS**

**FACILITY TICKET NUMBER**

**SIGNATURE OF AUTHORIZED AGENT**

**DATE**

\* *[Signature]*

SCHEDULING MUST BE MADE PRIOR TO 4:00 P.M. THE DAY PRIOR TO EXPECTED ARRIVAL • ANY UNSCHEDULED LOADS ARE SUBJECT TO REFUSAL UPON ARRIVAL. ONGOING DAILY DELIVERIES MUST BE SCHEDULED WITH THE LANDFILL THE DAY BEFORE. TO SCHEDULE CALL (209) 982-4298



# FORWARD INCORPORATED

## NON-HAZARDOUS WASTE MANIFEST WASTE TREATMENT AND DISPOSAL FACILITY

JOB ACCEPTANCE NO. **749622**

TO BE COMPLETED BY THE GENERATOR

**GENERATOR**  
Berkeley Farms

**MAILING ADDRESS**  
25300 Clawiter Road

**CITY STATE ZIP**  
Hayward, CA

**PHONE**

**CONTACT PERSON**

**SIGNATURE OF AUTHORIZED AGENT TITLE** \* *[Signature]*  
**DATE** 9-29-98

**REQUIRED PERSONAL PROTECTIVE EQUIPMENT**  
 GLOVES    GOGGLES    RESPIRATOR    HARD HAT  
 TY-VEK    OTHER

**SPECIAL HANDLING PROCEDURES:**

**WASTE TYPE**

<input type="checkbox"/> TREATMENT SOIL	<input type="checkbox"/> SLUDGE
<input checked="" type="checkbox"/> DISPOSAL SOIL	<input type="checkbox"/> NON-FRIABLE ASBESTOS
<input type="checkbox"/> CONSTRUCTION SOIL	<input type="checkbox"/> WOOD
<input type="checkbox"/> STOCK PILE	<input type="checkbox"/> ASH
	<input type="checkbox"/> OTHER

**RECEIVING FACILITY:**  
  
 FORWARD INC. LANDFILL  
 9999 SOUTH AUSTIN ROAD  
 MANTECA, CALIFORNIA 95336  
 (209) 982-4298 PHONE  
 (209) 982-1009 FAX

**GENERATING FACILITY:**  
4550 San Pablo Ave      EMERYVILLE

TRANSPORTER  
HAULER MUST COMPLETE

**NAME:** CORRAD E SONS SJS

**ADDRESS:** 6493 Escalon/Bellota Rd

**CITY STATE ZIP:** Escalon

**PHONE:** (209) 886-5610

**SIGNATURE OF AUTHORIZED AGENT OR DRIVER:** \* *[Signature]*  
**DATE:** 10-2-98

**TRACTOR LIC:** 9C15693

**TRAILER LIC:** YR 8395

**TRUCK NUMBER:** 57

**END DUMP:**    **BOTTOM DUMP:**    **TRANSFER:**

**ROLL OFF (S):**    **FLAT BED:**    **VAN:**    **DRUMS:**

FACILITY REQUIREMENTS

**FORWARD INC. LANDFILL**

Forward shall have no obligation to accept the waste if weather or other conditions impair the safe and effective disposal of the waste or if the waste impairs the safe and effective operation of the Landfill. Forward shall use reasonable efforts to promptly notify Disposer of its inability to accept the waste for any reason. If Forward's refusal to accept the waste is based on weather or other site conditions, Forward shall notify the Disposer when site conditions are expected to change such that Forward will be able to accept the waste.

**REMARKS:**

**FACILITY TICKET NUMBER:**

**SIGNATURE OF AUTHORIZED AGENT:** \* *[Signature]*  
**DATE:**

CUBIC YARDS	DISPOSAL METHOD (TO BE COMPLETED BY FORWARD)				
	DISPOSE	BIO	AERATE	STOCKPILE	OTHER
19.00	<input checked="" type="checkbox"/>	<input type="checkbox"/>	<input type="checkbox"/>	<input type="checkbox"/>	<input type="checkbox"/>
	<input type="checkbox"/> SOIL				
	<input type="checkbox"/> SLUDGE				
	<input type="checkbox"/> NON-FRIABLE ASBESTOS				
	<input type="checkbox"/> WOOD				
	<input checked="" type="checkbox"/> ASH				
	<input checked="" type="checkbox"/> OTHER				

SCHEDULING MUST BE MADE PRIOR TO 4:00 P.M. THE DAY PRIOR TO EXPECTED ARRIVAL. ANY UNSCHEDULED LOADS ARE SUBJECT TO REFUSAL UPON ARRIVAL. ONGOING DAILY DELIVERIES MUST BE SCHEDULED WITH THE LANDFILL THE DAY BEFORE. TO SCHEDULE CALL (209) 982-4298. TRANSPORTER COPY. MANIFEST # C 663098



# FORWARD INCORPORATED

## NON-HAZARDOUS WASTE MANIFEST WASTE TREATMENT AND DISPOSAL FACILITY

JOB ACCEPTANCE NO. **749622**

TO BE COMPLETED BY THE GENERATOR

**GENERATOR**  
Berkeley Farms

**MAILING ADDRESS**  
25500 Clawiter Road

**CITY, STATE, ZIP**  
Hayward, CA

**PHONE**

**CONTACT PERSON**

**SIGNATURE OF AUTHORIZED AGENT/TITLE**  
\* *[Signature]*

**DATE**  
10-21-92

**REQUIRED PERSONAL PROTECTIVE EQUIPMENT**

GLOVES     GOGGLES     RESPIRATOR     HARD HAT

TY-VEK     OTHER

**SPECIAL HANDLING PROCEDURES:**

**WASTE TYPE**

TREATMENT SOIL     SLUDGE

DISPOSAL SOIL     NON-FRIABLE ASBESTOS

CONSTRUCTION SOIL     WOOD

STOCK PILE     ASH

OTHER

**GENERATING FACILITY**  
4550 San Pablo Ave    EMERYVILLE

**RECEIVING FACILITY**

FORWARD INC. LANDFILL  
9999 SOUTH AUSTIN ROAD  
MANTECA, CALIFORNIA 95336  
(209) 982-4298 PHONE  
(209) 982-1009 FAX

TRANSPORTER  
HAULER MUST COMPLETE

**NAME**  
Conradson Trucking

**ADDRESS**  
9493 Escalon Blvd Rd

**CITY, STATE, ZIP**  
Escalon CA 95320

**PHONE**  
209 886 5610

**SIGNATURE OF AUTHORIZED AGENT FOR DRIVER**  
\* *[Signature]*

**DATE**  
10/2/98

**TRACTOR LIC #**  
CONRADSON

**TRUCK NUMBER**  
1908

**TRAILER LIC #**  
SM 8 B 12

**TRAILER LIC #**

**END DUMP**    **BOTTOM DUMP**    **TRANSFER**

**ROLL-OFF(S)**    **FLAT-BED**    **VAN**    **DRUMS**

FACILITY REQUIREMENTS

**FORWARD INC. LANDFILL**

Forward shall have no obligation to accept the waste if weather or other conditions impair the safe and effective disposal of the waste or if the waste impairs the safe and effective operation of the Landfill. Forward shall use reasonable efforts to promptly notify Disposer of its inability to accept the waste for any reason. If Forward's refusal to accept the waste is based on weather or other site conditions, Forward shall notify the Disposer when site conditions are expected to change such that Forward will be able to accept the waste.

**REMARKS**

**FACILITY TICKET NUMBER**

**SIGNATURE OF AUTHORIZED AGENT**  
\* *[Signature]*

**DATE**  
10/4/98

CUBIC YARDS	DISPOSAL METHOD				
	DISPOSE	BIO	AERATE	STOCKPILE	OTHER
15 23.66	<input checked="" type="checkbox"/>				
	<input type="checkbox"/>				
	<input type="checkbox"/>				
	<input type="checkbox"/>				
	<input type="checkbox"/>				
	<input type="checkbox"/>				

SCHEDULING MUST BE MADE PRIOR TO 4:00 P.M. THE DAY PRIOR TO EXPECTED ARRIVAL • ANY UNSCHEDULED LOADS ARE SUBJECT TO REFUSAL UPON ARRIVAL. ONGOING DAILY DELIVERIES MUST BE SCHEDULED WITH THE LANDFILL THE DAY BEFORE. TO SCHEDULE CALL (209) 982-4298



# FORWARD INCORPORATED

## NON-HAZARDOUS WASTE MANIFEST WASTE TREATMENT AND DISPOSAL FACILITY

JOB ACCEPTANCE NO. **749622**

TO BE COMPLETED BY THE GENERATOR

**GENERATOR**  
**Berkeley Farms**  
**MAILING ADDRESS**  
**25500 Clawiter Road**  
**CITY/STATE/ZIP**  
**Hayward, CA**  
**PHONE**  
**CONTACT PERSON**  
**SIGNATURE OF AUTHORIZED AGENT/TITLE**  
*\* [Signature]*  
**DATE**  
**9.29.98**

**REQUIRED PERSONAL PROTECTIVE EQUIPMENT**  
 GLOVES     GOGGLES     RESPIRATOR     HARD HAT  
 TY-VEK     OTHER

**SPECIAL HANDLING PROCEDURES:**

**WASTE TYPE**

<input type="checkbox"/> TREATMENT SOIL	<input type="checkbox"/> SLUDGE
<input checked="" type="checkbox"/> DISPOSAL SOIL	<input type="checkbox"/> NON-FRIABLE ASBESTOS
<input type="checkbox"/> CONSTRUCTION SOIL	<input type="checkbox"/> WOOD
<input type="checkbox"/> STOCK PILE	<input type="checkbox"/> ASH
	<input type="checkbox"/> OTHER

**GENERATING FACILITY**  
**4550 San Pablo Ave**                      **EMERYVILLE**

**RECEIVING FACILITY**  
**FORWARD INC. LANDFILL**  
**9999 SOUTH AUSTIN ROAD**  
**MANTECA, CALIFORNIA 95336**  
**(209) 982-4298 PHONE**  
**(209) 982-1009 FAX**

TRANSPORTER  
HAULER MUST COMPLETE

**NAME**  
**CONRAD & SON**  
**ADDRESS**  
**9493 Escalon Blvd**  
**CITY/STATE/ZIP**  
**Escalon CA 95320**  
**PHONE**  
**886-5610**  
**SIGNATURE OF AUTHORIZED AGENT FOR DRIVER**  
*\* [Signature]*  
**DATE**

**TRUCK NUMBER**  
**9B3429**  
**TRAILER NO.**  
**10B4057**  
**TRAILER NO.**  
 END DUMP     BOTTOM DUMP     TRANSFER  
 ROLL-OFF(S)     FLAT-BED     VAN     DRUMS

FACILITY REQUIREMENTS

**FORWARD INC. LANDFILL**

Forward shall have no obligation to accept the waste if weather or other conditions impair the safe and effective disposal of the waste or if the waste impairs the safe and effective operation of the Landfill. Forward shall use reasonable efforts to promptly notify Disposer of its inability to accept the waste for any reason. If Forward's refusal to accept the waste is based on weather or other site conditions, Forward shall notify the Disposer when site conditions are expected to change such that Forward will be able to accept the waste.

**REMARKS**  
**FACILITY TICKET NUMBER**  
**SIGNATURE OF AUTHORIZED AGENT**  
*\* [Signature]*  
**DATE**  
**10/29/98**

DISPOSAL METHOD	CUBIC YARDS				
	DISPOSE	BIO	AERATE	STOCKPILE	OTHER
<input checked="" type="checkbox"/> SOIL					24.65
<input type="checkbox"/> SLUDGE					
<input type="checkbox"/> NON-FRIABLE ASBESTOS					
<input type="checkbox"/> WOOD					
<input type="checkbox"/> ASH					
<input type="checkbox"/> OTHER					

SCHEDULING MUST BE MADE PRIOR TO 4:00 P.M. THE DAY PRIOR TO EXPECTED ARRIVAL • ANY UNSCHEDULED LOADS ARE SUBJECT TO REFUSAL UPON ARRIVAL. ONGOING DAILY DELIVERIES MUST BE SCHEDULED WITH THE LANDFILL THE DAY BEFORE TO SCHEDULE CALL (209) 982-4298





# FORWARD INCORPORATED

## NON-HAZARDOUS WASTE MANIFEST WASTE TREATMENT AND DISPOSAL FACILITY

JOB ACCEPTANCE NO. **1749622**

TO BE COMPLETED BY THE GENERATOR

**GENERATOR**  
Berkeley Farms

**MAILING ADDRESS**  
25500 Clawiter Road

**CITY/STATE/ZIP**  
Hayward, CA

**PHONE**

**CONTACT PERSON**

**SIGNATURE OF AUTHORIZED AGENT/TITLE**      **DATE**  
\* *Mud S...*      10-23-98

**WASTE TYPE**

<input type="checkbox"/> TREATMENT SOIL	<input type="checkbox"/> SLUDGE
<input checked="" type="checkbox"/> DISPOSAL SOIL	<input type="checkbox"/> NON-FRIABLE ASBESTOS
<input type="checkbox"/> CONSTRUCTION SOIL	<input type="checkbox"/> WOOD
<input type="checkbox"/> STOCK PILE	<input type="checkbox"/> ASH
	<input type="checkbox"/> OTHER

**GENERATING FACILITY**  
4550 San Pablo Ave      EMERYVILLE

**REQUIRED PERSONAL PROTECTIVE EQUIPMENT**

GLOVES     GOGGLES     RESPIRATOR     HARD HAT  
 TY-VEK     OTHER

**SPECIAL HANDLING PROCEDURES:**

**RECEIVING FACILITY**

FORWARD INC. LANDFILL  
9999 SOUTH AUSTIN ROAD  
MANTECA, CALIFORNIA 95336  
(209) 982-4298 PHONE  
(209) 982-1009 FAX

TRANSPORTER  
HAULER MUST COMPLETE

**NAME**  
CONRAD & SON

**ADDRESS**  
9993 SO ESCALA BALOTA

**CITY/STATE/ZIP**  
ESCALA CAL. 95230

**PHONE**  
209-876-5494

**SIGNATURE OF AUTHORIZED AGENT/DRIVER**      **DATE**  
\* STONEY WAUER      10-23-98

**TRACTOR LIC**      **TRUCK NUMBER**  
9B34523      K2

**TRAILER LIC**      **TRAILER LIC**  
DAULT D

**END DUMP**      **BOTTOM DUMP**      **TRANSFER**  
           

**ROLL-OFFS**      **FLATBED**      **VAN**      **DRUMS**  
                 

FACILITY REQUIREMENTS

**FORWARD INC. LANDFILL**

Forward shall have no obligation to accept the waste if weather or other conditions impair the safe and effective disposal of the waste or if the waste impairs the safe and effective operation of the Landfill. Forward shall use reasonable efforts to promptly notify Disposer of its inability to accept the waste for any reason. If Forward's refusal to accept the waste is based on weather or other site conditions, Forward shall notify the Disposer when site conditions are expected to change such that Forward will be able to accept the waste.

**REMARKS**

**FACILITY TICKET NUMBER**

**SIGNATURE OF AUTHORIZED AGENT**      **DATE**  
\* *[Signature]*      [Date]

DISPOSAL METHOD	TO BE COMPLETED BY FORWARD				
	DISPOSE	BIO	AERATE	STOCKPILE	OTHER
<input checked="" type="checkbox"/> SOIL					
<input type="checkbox"/> SLUDGE					
<input type="checkbox"/> NON-FRIABLE ASBESTOS					
<input type="checkbox"/> WOOD					
<input type="checkbox"/> ASH					
<input type="checkbox"/> OTHER					

**CUBIC YARDS**  
10 25.19

SCHEDULING MUST BE MADE PRIOR TO 4:00 P.M. THE DAY PRIOR TO EXPECTED ARRIVAL • ANY UNSCHEDULED LOADS ARE SUBJECT TO REFUSAL UPON ARRIVAL. ONGOING DAILY DELIVERIES MUST BE SCHEDULED WITH THE LANDFILL THE DAY BEFORE. TO SCHEDULE CALL (209) 982-4298

FO1 (C8511N4) 6-98      TRANSPORTER COPY      MANIFEST # C 663090



# FORWARD INCORPORATED

## NON-HAZARDOUS WASTE MANIFEST WASTE TREATMENT AND DISPOSAL FACILITY

JOB ACCEPTANCE NO.

**749622**

TO BE COMPLETED BY THE GENERATOR

**GENERATOR**

**Berkeley Farms**

**MAILING ADDRESS:**  
25500 Clawiter Road

**CITY, STATE, ZIP:**  
Hayward, CA

**PHONE:**

**CONTACT PERSON:**

**SIGNATURE OF AUTHORIZED AGENT / TITLE:**

**DATE:**

\* *M. Smith* 10-23-98

**WASTE TYPE**

- TREATMENT SOIL
- DISPOSAL SOIL
- CONSTRUCTION SOIL
- STOCK PILE
- SLUDGE
- NON-FRIABLE ASBESTOS
- WOOD
- ASH
- OTHER

**GENERATING FACILITY**

4550 San Pablo Ave EMERYVILLE

**REQUIRED PERSONAL PROTECTIVE EQUIPMENT**

- GLOVES
- GOGGLES
- RESPIRATOR
- HARD HAT
- TY-VEK
- OTHER

**SPECIAL HANDLING PROCEDURES:**

**RECEIVING FACILITY**

FORWARD INC. LANDFILL  
9999 SOUTH AUSTIN ROAD  
MANTECA, CALIFORNIA 95336  
(209) 982-4298 PHONE  
(209) 982-1009 FAX

TRANSPORTER  
HAULER MUST COMPLETE

**NAME:**

CONRAD S. SON

**ADDRESS:**  
9493 S. Escalon BETHLEHEM RD

**CITY, STATE, ZIP:**  
Escalon CA 95320

**PHONE:**  
209-886-5610

**SIGNATURE OF AUTHORIZED AGENT OR DRIVER:**

**DATE:**

\* *Charles Conrad* 10/23/98

**FRAGILE**

*J. Conrad*

**TRAILER LIC:** *ST 8 B 17*

**TRUCK NUMBER:** *1908*

**END DUMP**  **BOTTOM DUMP**  **TRANSFER**

**ROLL-OFF(S)**  **FLAT-BED**  **VAN**  **DRUMS**

FACILITY REQUIREMENTS

**FORWARD INC. LANDFILL**

Forward shall have no obligation to accept the waste if weather or other conditions impair the safe and effective disposal of the waste or if the waste impairs the safe and effective operation of the Landfill. Forward shall use reasonable efforts to promptly notify Disposer of its inability to accept the waste for any reason. If Forward's refusal to accept the waste is based on weather or other site conditions, Forward shall notify the Disposer when site conditions are expected to change such that Forward will be able to accept the waste.

**REMARKS:**

**FACILITY TICKET NUMBER:**

**SIGNATURE OF AUTHORIZED AGENT:**

**DATE:**

\* *[Signature]*

**CUBIC YARDS:**

*19 26.03*

**DISPOSAL METHOD (TO BE COMPLETED BY FORWARD)**

	DISPOSE	BIC	AERATE	STOCKPILE	OTHER
<input checked="" type="checkbox"/> SOIL					
<input type="checkbox"/> SLUDGE					
<input type="checkbox"/> NON-FRIABLE ASBESTOS					
<input type="checkbox"/> WOOD					
<input type="checkbox"/> ASH					
<input type="checkbox"/> OTHER					

SCHEDULING MUST BE MADE PRIOR TO 4:00 P.M. THE DAY PRIOR TO EXPECTED ARRIVAL • ANY UNSCHEDULED LOADS ARE SUBJECT TO REFUSAL UPON ARRIVAL • ONGOING DAILY DELIVERIES MUST BE SCHEDULED WITH THE LANDFILL THE DAY BEFORE. TO SCHEDULE CALL (209) 982-4298



# FORWARD INCORPORATED

## NON-HAZARDOUS WASTE MANIFEST WASTE TREATMENT AND DISPOSAL FACILITY

JOB ACCEPTANCE NO.

**749622**

TO BE COMPLETED BY THE GENERATOR

**GENERATOR**

**Berkeley Farms**

**MAILING ADDRESS**

**25500 Clawiter Road**

**CITY, STATE, ZIP**

**Hayward, CA**

**PHONE**

**CONTACT PERSON**

**SIGNATURE OF AUTHORIZED AGENT / TITLE**

*\* Mhd Tund*

**DATE**

**10-23-06**

**WASTE TYPE**

- TREATMENT SOIL
- DISPOSAL SOIL
- CONSTRUCTION SOIL
- STOCK PILE

- SLUDGE
- NON-FRIABLE ASBESTOS
- WOOD
- ASH
- OTHER

**GENERATING FACILITY**

**4550 San Pablo Ave EMERYVILLE**

**REQUIRED PERSONAL PROTECTIVE EQUIPMENT**

- GLOVES  GOGGLES  RESPIRATOR  HARD HAT
- TY-VEK  OTHER

**SPECIAL HANDLING PROCEDURES:**

**RECEIVING FACILITY**

**FORWARD INC. LANDFILL  
9999 SOUTH AUSTIN ROAD  
MANTECA, CALIFORNIA 95336  
(209) 982-4298 PHONE  
(209) 982-1009 FAX**

TRANSPORTER  
HAULER MUST COMPLETE

**NAME**

**CONRAD ELLSON**

**ADDRESS**

**9493 ESCALON BELLOTA RD**

**CITY, STATE, ZIP**

**ESCALON CA, 96320**

**PHONE**

**209-886-5610**

**SIGNATURE OF AUTHORIZED AGENT OR DRIVER**

*\* Paul Manning*

**DATE**

**10-23-98**

**TRACTOR LIC**

**9B31190 CA**

**TRUCK NUMBER**

**1140**

**TRAILER LIC**

**D. CONRAD**

**TRAILER LIC**

**END DUMP**  **BOTTOM DUMP**  **TRANSFER**

**ROLL-OFF(S)**  **FLAT-BED**  **VAN**  **DRUMS**

FACILITY REQUIREMENTS

**FORWARD INC. LANDFILL**

Forward shall have no obligation to accept the waste if weather or other conditions impair the safe and effective disposal of the waste or if the waste impairs the safe and effective operation of the Landfill. Forward shall use reasonable efforts to promptly notify Disposer of its inability to accept the waste for any reason. If Forward's refusal to accept the waste is based on weather or other site conditions, Forward shall notify the Disposer when site conditions are expected to change such that Forward will be able to accept the waste.

**REMARKS**

**FACILITY TICKET NUMBER**

**SIGNATURE OF AUTHORIZED AGENT**

*\* Jones*

**DATE**

**10-23-06**

**CUBIC YARDS**

**0 20.65**

**DISPOSAL METHOD (TO BE COMPLETED BY FORWARD)**

	DISPOSE	BIO	AERATE	STOCKPILE	OTHER
<input checked="" type="checkbox"/> SOIL					
<input type="checkbox"/> SLUDGE					
<input type="checkbox"/> NON-FRIABLE ASBESTOS					
<input type="checkbox"/> WOOD					
<input type="checkbox"/> ASH					
<input type="checkbox"/> OTHER					

**SCHEDULING MUST BE MADE PRIOR TO 4:00 P.M. THE DAY PRIOR TO EXPECTED ARRIVAL • ANY UNSCHEDULED LOADS ARE SUBJECT TO REFUSAL UPON ARRIVAL. ONGOING DAILY DELIVERIES MUST BE SCHEDULED WITH THE LANDFILL THE DAY BEFORE. TO SCHEDULE CALL (209) 982-4298**



JOB ACCEPTANCE NO.

**749622**

TO BE COMPLETED BY THE GENERATOR

**GENERATOR**  
Berkeley Farms  
MAILING ADDRESS  
25500 Clawiter Road  
CITY, STATE, ZIP  
Hayward, CA  
PHONE  
CONTACT PERSON  
SIGNATURE OF AUTHORIZED AGENT / TITLE  
\* *Mud [Signature]*  
DATE  
10-23-98

**REQUIRED PERSONAL PROTECTIVE EQUIPMENT:**  
 GLOVES  GOGGLES  RESPIRATOR  HARD HAT  
 TY-VEK  OTHER

SPECIAL HANDLING PROCEDURES:

**WASTE TYPE\***

<input type="checkbox"/> TREATMENT SOIL	<input type="checkbox"/> SLUDGE
<input checked="" type="checkbox"/> DISPOSAL SOIL	<input type="checkbox"/> NON-FRIABLE ASBESTOS
<input type="checkbox"/> CONSTRUCTION SOIL	<input type="checkbox"/> WOOD
<input type="checkbox"/> STOCK PILE	<input type="checkbox"/> ASH
	<input type="checkbox"/> OTHER

**GENERATING FACILITY:**  
4550 San Pablo Ave  
EMERYVILLE

**RECEIVING FACILITY**  
FORWARD INC. LANDFILL  
9999 SOUTH AUSTIN ROAD  
MANTECA, CALIFORNIA 95336  
(209) 982-4298 PHONE  
(209) 982-1009 FAX

TRANSPORTER  
HAULER MUST COMPLETE

**NAME:** CONRAD J. JON  
**ADDRESS:** 9493 S ESCALON-BETHOTA RD  
**CITY, STATE, ZIP:** ESCALON CA 95320  
**PHONE:** 209-886-5610  
**SIGNATURE OF AUTHORIZED AGENT / DRIVER:** \* *[Signature]*  
**DATE:** 10-23-98

**TRACTOR LIC:** X 3M2091K  
**TRUCK NUMBER:** X 980  
**TRAILER LIC:** X 10V2478  
**TRAILER LIC:**  
**END DUMP:**  **BOTTOM DUMP:**  **TRANSFER:**   
**ROLL-OFF(S):**  **FLAT-BED:**  **VAN:**  **DRUMS:**

FACILITY REQUIREMENTS

**FORWARD INC. LANDFILL**  
Forward shall have no obligation to accept the waste if weather or other conditions impair the safe and effective disposal of the waste or if the waste impairs the safe and effective operation of the Landfill. Forward shall use reasonable efforts to promptly notify Disposer of its inability to accept the waste for any reason. If Forward's refusal to accept the waste is based on weather or other site conditions, Forward shall notify the Disposer when site conditions are expected to change such that Forward will be able to accept the waste.  
**REMARKS:**  
**FACILITY TICKET NUMBER:**  
**SIGNATURE OF AUTHORIZED AGENT:** \* *[Signature]*  
**DATE:** 10-23-98

**CUBIC YARDS:** 26.23

**DISPOSAL METHOD: (TO BE COMPLETED BY FORWARD)**

	DISPOSE	BIO	AERATE	STOCKPILE	OTHER
<input type="checkbox"/> SOIL					
<input type="checkbox"/> SLUDGE					
<input type="checkbox"/> NON-FRIABLE ASBESTOS					
<input type="checkbox"/> WOOD					
<input type="checkbox"/> ASH					
<input type="checkbox"/> OTHER					



# FORWARD INCORPORATED

## NON-HAZARDOUS WASTE MANIFEST WASTE TREATMENT AND DISPOSAL FACILITY

JOB ACCEPTANCE NO.

**749622**

TO BE COMPLETED BY THE GENERATOR

**GENERATOR**

**Berkeley Farms**

**MAILING ADDRESS**

25500 Clawiter Road

**CITY STATE ZIP**

Hayward, CA

**PHONE**

**CONTACT PERSON**

**SIGNATURE OF AUTHORIZED AGENT / TITLE**

\* *M. L. Smith* 10-27-98

**WASTE TYPE**

- TREATMENT SOIL
- DISPOSAL SOIL
- CONSTRUCTION SOIL
- STOCK PILE
- SLUDGE
- NON-FRIABLE ASBESTOS
- WOOD
- ASH
- OTHER

**GENERATING FACILITY**

4550 San Pablo Ave. EMERYVILLE

**REQUIRED PERSONAL PROTECTIVE EQUIPMENT**

- GLOVES
- GOGGLES
- RESPIRATOR
- HARD HAT
- TY-VEK
- OTHER

**SPECIAL HANDLING PROCEDURES:**

**RECEIVING FACILITY**

FORWARD INC. LANDFILL  
 9999 SOUTH AUSTIN ROAD  
 MANTECA, CALIFORNIA 95336  
 (209) 982-4298 PHONE  
 (209) 982-1009 FAX

TRANSPORTER  
HAULER MUST COMPLETE

**NAME**

CONRAD & SON

**ADDRESS**

9993 S ESCALON BENOITA RD

**CITY STATE ZIP**

Escalon CA 95320

**PHONE**

209 886-5610

**SIGNATURE OF AUTHORIZED AGENT OR DRIVER**

\* *MLK* 10-23-98

**TRACTOR LIC #**

X 4905160

**TRUCK NUMBER**

X 34

**TRAILER LIC #**

X 1VNGSS

**END DUMP** **BOTTOM DUMP** **TRANSFER**

**ROLL-OFFS** **FLATBED** **VAN** **DRUMS**

FACILITY REQUIREMENTS

### FORWARD INC. LANDFILL

Forward shall have no obligation to accept the waste if weather or other conditions impair the safe and effective disposal of the waste or if the waste impairs the safe and effective operation of the Landfill. Forward shall use reasonable efforts to promptly notify Disposer of its inability to accept the waste for any reason. If Forward's refusal to accept the waste is based on weather or other site conditions, Forward shall notify the Disposer when site conditions are expected to change such that Forward will be able to accept the waste.

**REMARKS**

**FACILITY TICKET NUMBER**

**SIGNATURE OF AUTHORIZED AGENT**

\* *[Signature]*

**CUBIC YARDS**

22.36

**DISPOSAL METHOD (TO BE COMPLETED BY FORWARD)**

	DISPOSE	BIO	AERATE	STOCKPILE	OTHER
<input type="checkbox"/> SOIL					
<input type="checkbox"/> SLUDGE					
<input type="checkbox"/> NON-FRIABLE ASBESTOS					
<input type="checkbox"/> WOOD					
<input type="checkbox"/> ASH					
<input type="checkbox"/> OTHER					

SCHEDULING MUST BE MADE PRIOR TO 4:00 P.M. THE DAY PRIOR TO EXPECTED ARRIVAL • ANY UNSCHEDULED LOADS ARE SUBJECT TO REFUSAL UPON ARRIVAL. ONGOING DAILY DELIVERIES MUST BE SCHEDULED WITH THE LANDFILL THE DAY BEFORE. TO SCHEDULE CALL (209) 982-4298

FO1 (C9511NH) 6-98

SALES COPY

MANIFEST # **663035**



# FORWARD INCORPORATED

## NON-HAZARDOUS WASTE MANIFEST WASTE TREATMENT AND DISPOSAL FACILITY

JOB ACCEPTANCE NO. **749622**

TO BE COMPLETED BY THE GENERATOR

**GENERATOR**  
 Berkeley Farms  
 MAILING ADDRESS:  
 25500 Clawiter Road  
 CITY STATE ZIP:  
 Hayward, CA  
 PHONE:  
 CONTACT PERSON:  
 SIGNATURE OF AUTHORIZED AGENT / TITLE: *[Signature]* OPERATOR DATE: 10-23-98  
 WASTE TYPE:  
 TREATMENT SOIL  
 DISPOSAL SOIL  
 CONSTRUCTION SOIL  
 STOCK PILE  
 SLUDGE  
 NON-FRIABLE ASBESTOS  
 WOOD  
 ASH  
 OTHER  
 GENERATING FACILITY:  
 4550 San Pablo Ave EMERYVILLE

**REQUIRED PERSONAL PROTECTIVE EQUIPMENT**  
 GLOVES  GOGGLES  RESPIRATOR  HARD HAT  
 TY-VEK  OTHER  
 SPECIAL HANDLING PROCEDURES:  
 RECEIVING FACILITY:  
 FORWARD INC. LANDFILL  
 9999 SOUTH AUSTIN ROAD  
 MANTECA, CALIFORNIA 95336  
 (209) 982-4298 PHONE  
 (209) 982-1009 FAX

TRANSPORTER  
HAULER MUST COMPLETE

**TRANSPORTER**  
 NAME: *[Signature]*  
 ADDRESS: 9125 S. 5th St. Hayward, CA  
 CITY STATE ZIP: Hayward, CA 94542  
 PHONE: 510-885-5610  
 SIGNATURE OF AUTHORIZED AGENT OF DRIVER: *[Signature]* DATE: 10-23-98

TRACTOR/PLC: 3755929  
 TRAILER/INC: 113 AIR  
 TRUCK/VEH: 113 AIR  
 END DUMP  BOTTOM DUMP  TRANSFER  
 ROLL-OFFS  HEAVY  VAN  DRUMS

FACILITY REQUIREMENTS

**FORWARD INC. LANDFILL**  
 Forward shall have no obligation to accept the waste if weather or other conditions impair the safe and effective disposal of the waste or if the waste impairs the safe and effective operation of the Landfill. Forward shall use reasonable efforts to promptly notify Disposer of its inability to accept the waste for any reason. If Forward's refusal to accept the waste is based on weather or other site conditions, Forward shall notify the Disposer when site conditions are expected to change such that Forward will be able to accept the waste.  
 REMARKS:  
 FACILITY TICKET NUMBER:  
 SIGNATURE OF AUTHORIZED AGENT: *[Signature]* DATE: 10-23-98

CUBIC YARDS: 10.2402

DISPOSAL METHOD	TO BE COMPLETED BY FORWARD				
	DISPOSE	BIQ	ASBESTOS	WOOD	OTHER
<input checked="" type="checkbox"/> SOIL					
<input type="checkbox"/> SLUDGE					
<input type="checkbox"/> NON-FRIABLE ASBESTOS					
<input type="checkbox"/> WOOD					
<input type="checkbox"/> ASH					
<input type="checkbox"/> OTHER					

SCHEDULING MUST BE MADE PRIOR TO 2:00 P.M. THE DAY PRIOR TO EXPECTED ARRIVAL. ANY UNSCHEDULED SUBJECT TO REFUSAL UPON ARRIVAL. ONGOING DAILY DELIVERIES MUST BE SCHEDULED WITH THE LANDFILL. TO SCHEDULE CALL (209) 982-4298. TRANSPORTER COPY. MANIFEST # 03936



# FORWARD INCORPORATED

## NON-HAZARDOUS WASTE MANIFEST WASTE TREATMENT AND DISPOSAL FACILITY

JOB ACCEPTANCE NO.

**749622**

TO BE COMPLETED BY THE GENERATOR

GENERATOR:  
**Berkley Farms**

MAILING ADDRESS:  
**25500 Clawiter Road**

CITY, STATE, ZIP:  
**Hayward, CA**

PHONE:

CONTACT PERSON:

SIGNATURE OF AUTHORIZED AGENT/TITLE: **\* M. Smith**      DATE: **10-23-98**

WASTE TYPE:

<input type="checkbox"/> TREATMENT SOIL	<input type="checkbox"/> SLUDGE
<input checked="" type="checkbox"/> DISPOSAL SOIL	<input type="checkbox"/> NON-FRIABLE ASBESTOS
<input type="checkbox"/> CONSTRUCTION SOIL	<input type="checkbox"/> WOOD
<input type="checkbox"/> STOCK PILE	<input type="checkbox"/> ASH
	<input type="checkbox"/> OTHER

GENERATING FACILITY:  
**4550 San Pablo Ave      EMERYVILLE**

REQUIRED PERSONAL PROTECTIVE EQUIPMENT:  
 GLOVES     GOGGLES     RESPIRATOR     HARD HAT  
 TY-VEK     OTHER

SPECIAL HANDLING PROCEDURES:

RECEIVING FACILITY:  
**FORWARD INC. LANDFILL  
9999 SOUTH AUSTIN ROAD  
MANTECA, CALIFORNIA 95336  
(209) 982-4298 PHONE  
(209) 982-1009 FAX**

TRANSPORTER/HAULER MUST COMPLETE

NAME: **CONROAD 450**

ADDRESS: **9999 SO. FUSCALO BALDWIN**

CITY, STATE, ZIP: **FUSCALO CAL. 95203**

PHONE: **209 886 5998**

SIGNATURE OF AUTHORIZED AGENT OR DRIVER: **\* STANNY**      DATE: **10-23-98**

REGISTRATION NO: **7B39527**      TRUCK NUMBER: **K-2**

TRAILER LIC: **1DAUTR2**

TRAILER LIC:

END DUMP:       BOTTOM DUMP:       TRANSFER:

ROLL-OFF(S):       FLAT-BED:       VAN:       DRUMS:

ACTIVITY REQUIREMENTS

### FORWARD INC. LANDFILL

Forward shall have no obligation to accept the waste if weather or other conditions impair the safe and effective disposal of the waste or if the waste impairs the safe and effective operation of the Landfill. Forward shall use reasonable efforts to promptly notify Disposer of its inability to accept the waste for any reason. If Forward's refusal to accept the waste is based on weather or other site conditions, Forward shall notify the Disposer when site conditions are expected to change such that Forward will be able to accept the waste.

REMARKS:

FACILITY TICKET NUMBER:

SIGNATURE OF AUTHORIZED AGENT: **\* [Signature]**      DATE: **10/23/98**

CUBIC YARDS: **U 28.17**

DISPOSAL METHOD	(TO BE COMPLETED BY FORWARD)				
	DISPOSE	BIO	AERATE	STOCKPILE	OTHER
<input checked="" type="checkbox"/> SOIL					
<input type="checkbox"/> SLUDGE					
<input type="checkbox"/> NON-FRIABLE ASBESTOS					
<input type="checkbox"/> WOOD					
<input checked="" type="checkbox"/> ASH					
<input type="checkbox"/> OTHER					

SCHEDULING MUST BE MADE PRIOR TO 4:00 P.M. THE DAY PRIOR TO EXPECTED ARRIVAL • ANY UNSCHEDULED LOADS ARE SUBJECT TO REFUSAL UPON ARRIVAL ONGOING DAILY DELIVERIES MUST BE SCHEDULED WITH THE LANDFILL THE DAY BEFORE. TO SCHEDULE CALL (209) 982-4298



# FORWARD INCORPORATED

JOB ACCEPTANCE NO.

NON-HAZARDOUS WASTE MANIFEST  
WASTE TREATMENT AND DISPOSAL FACILITY

**749622**

TO BE COMPLETED BY THE GENERATOR

GENERATOR: **Berkeley Farms**

MAILING ADDRESS: **25500 Clawiter Road**

CITY, STATE, ZIP: **Hayward, CA**

PHONE:

CONTACT PERSON:

SIGNATURE OF AUTHORIZED AGENT/TITLE: *\* Mark [Signature]* DATE: **10/23/98**

WASTE TYPE:

<input type="checkbox"/> TREATMENT SOIL	<input type="checkbox"/> SLUDGE
<input checked="" type="checkbox"/> DISPOSAL SOIL	<input type="checkbox"/> NON-FRIABLE ASBESTOS
<input type="checkbox"/> CONSTRUCTION SOIL	<input type="checkbox"/> WOOD
<input type="checkbox"/> STOCK PILE	<input type="checkbox"/> ASH
	<input type="checkbox"/> OTHER

GENERATING FACILITY: **4550 San Pablo Ave EMERYVILLE**

REQUIRED PERSONAL PROTECTIVE EQUIPMENT:

GLOVES  GOGGLES  RESPIRATOR  HARD HAT  
 TY-VEK  OTHER

SPECIAL HANDLING PROCEDURES:

RECEIVING FACILITY:

**FORWARD INC. LANDFILL  
9999 SOUTH AUSTIN ROAD  
MANTECA, CALIFORNIA 95336  
(209) 982-4298 PHONE  
(209) 982-1009 FAX**

TRANSPORTER  
HAULER MUST COMPLETE

NAME: **CONRAD & SON**

ADDRESS: **9493 S. Escalon - BENIOTA Rd**

CITY, STATE, ZIP: **ESCALON CA 95320**

PHONE: **209 896-5610**

SIGNATURE OF AUTHORIZED AGENT OR DRIVER: *\* [Signature]* DATE: **10/23/98**

TRAILER LIC: **ST 560RAD** TRUCK NUMBER: **1908**

TRAILER LIC: **ST 8 B 12**

TRAILER LIC:

END DUMP  BOTTOM DUMP  TRANSFER

ROLL-OFF(S)  FLAT-BED  VAN  DRUMS

FACILITY REQUIREMENTS

## FORWARD INC. LANDFILL

Forward shall have no obligation to accept the waste if weather or other conditions impair the safe and effective disposal of the waste or if the waste impairs the safe and effective operation of the Landfill. Forward shall use reasonable efforts to promptly notify Disposer of its inability to accept the waste for any reason. If Forward's refusal to accept the waste is based on weather or other site conditions, Forward shall notify the Disposer when site conditions are expected to change such that Forward will be able to accept the waste.

REMARKS:

FACILITY TICKET NUMBER:

SIGNATURE OF AUTHORIZED AGENT: *[Signature]* DATE:

CUBIC YARDS: **25.38**

	DISPOSAL METHOD TO BE COMPLETED BY FORWARD				
	DISPOSE	BIO	AERATE	STOCKPILE	OTHER
<input type="checkbox"/> SOIL					
<input type="checkbox"/> SLUDGE					
<input type="checkbox"/> NON-FRIABLE ASBESTOS					
<input type="checkbox"/> WOOD					
<input type="checkbox"/> ASH					
<input type="checkbox"/> OTHER					

SCHEDULING MUST BE MADE PRIOR TO 4:00 P.M. THE DAY PRIOR TO EXPECTED ARRIVAL • ANY UNSCHEDULED LOADS ARE SUBJECT TO REFUSAL UPON ARRIVAL ONGOING DAILY DELIVERIES MUST BE SCHEDULED WITH THE LANDFILL THE DAY BEFORE... TO SCHEDULE CALL (209) 982-4298





# FORWARD INCORPORATED

## NON-HAZARDOUS WASTE MANIFEST WASTE TREATMENT AND DISPOSAL FACILITY

JOB ACCEPTANCE NO.

**749622**

TO BE COMPLETED BY THE GENERATOR

**GENERATOR**  
Berkeley Farms

**MAILING ADDRESS**  
25500 Clawiter Road

**CITY, STATE, ZIP**  
Hayward, CA

**PHONE**

**CONTACT PERSON**

**SIGNATURE OF AUTHORIZED AGENT/TITLE**      **DATE**

\*

**REQUIRED PERSONAL PROTECTIVE EQUIPMENT**

GLOVES     GOGGLES     RESPIRATOR     HARD HAT

TY-VEK     OTHER

**SPECIAL HANDLING PROCEDURES:**

**WASTE TYPE**

TREATMENT SOIL       SLUDGE

DISPOSAL SOIL         NON-FRIABLE ASBESTOS

CONSTRUCTION SOIL     WOOD

STOCK PILE               ASH

OTHER

**RECEIVING FACILITY**

FORWARD INC. LANDFILL  
9999 SOUTH AUSTIN ROAD  
MANTECA, CALIFORNIA 95336  
(209) 982-4298 PHONE  
(209) 982-1009 FAX

**GENERATING FACILITY**

4550 San Pablo Ave                      EMERYVILLE

TRANSPORTER  
HAULER MUST COMPLETE

**NAME**  
CONRAD F SOW

**ADDRESS**  
7473 Escalon/Bellota Rd

**CITY, STATE, ZIP**  
ESCALON

**PHONE**  
(209) 886-5610

**SIGNATURE OF AUTHORIZED AGENT/DRIVER**      **DATE**

\* *[Signature]*                      10/23/98

**TRUCK/TDLC #**  
9C15653

**TRUCK NUMBER**  
59

**TRAILER LIC**  
V138395

**TRAILER LIC #**

**END DUMP**      **BOTTOM DUMP**      **TRANSFER**

**ROLL-OFFS**      **FLATBED**      **VAN**      **DRUMS**

FACILITY REQUIREMENTS

**FORWARD INC. LANDFILL**

Forward shall have no obligation to accept the waste if weather or other conditions impair the safe and effective disposal of the waste or if the waste impairs the safe and effective operation of the Landfill. Forward shall use reasonable efforts to promptly notify Disposer of its inability to accept the waste for any reason. If Forward's refusal to accept the waste is based on weather or other site conditions, Forward shall notify the Disposer when site conditions are expected to change such that Forward will be able to accept the waste.

**REMARKS**

**FACILITY TICKET NUMBER**

**SIGNATURE OF AUTHORIZED AGENT**      **DATE**

\* *[Signature]*                      10/23/98

**CUBIC YARDS**  
20.33

DISPOSAL METHOD	TO BE COMPLETED BY FORWARD				
	DISPOSE	BIO	AERATE	STOCKPILE	OTHER
<input type="checkbox"/> SOIL					
<input type="checkbox"/> SLUDGE					
<input type="checkbox"/> NON-FRIABLE ASBESTOS					
<input type="checkbox"/> WOOD					
<input type="checkbox"/> ASH					
<input type="checkbox"/> OTHER					

SCHEDULING MUST BE MADE PRIOR TO 4:00 P.M. THE DAY PRIOR TO EXPECTED ARRIVAL • ANY UNSCHEDULED LOADS ARE SUBJECT TO REFUSAL UPON ARRIVAL ONGOING DAILY DELIVERIES MUST BE SCHEDULED WITH THE LANDFILL THE DAY BEFORE. TO SCHEDULE CALL (209) 982-4298



# FORWARD INCORPORATED

## NON-HAZARDOUS WASTE MANIFEST WASTE TREATMENT AND DISPOSAL FACILITY

JOB ACCEPTANCE NO.

**749622**

TO BE COMPLETED BY THE GENERATOR

**GENERATOR:**  
**Berkeley Farms**  
**MAILING ADDRESS:**  
 25500 Clawiter Road  
**CITY/STATE/ZIP:**  
 Hayward, CA  
**PHONE:**  
**CONTACT PERSON:**  
**SIGNATURE OF AUTHORIZED AGENT/TITLE:**  
 \* *Mal [Signature]*  
**DATE:**  
 10-27-98

**REQUIRED PERSONAL PROTECTIVE EQUIPMENT:**  
 GLOVES     GOGGLES     RESPIRATOR     HARD HAT  
 TY-VEK     OTHER  
**SPECIAL HANDLING PROCEDURES:**

**WASTE TYPE:**

<input type="checkbox"/> TREATMENT SOIL	<input type="checkbox"/> SLUDGE
<input checked="" type="checkbox"/> DISPOSAL SOIL	<input type="checkbox"/> NON-FRIABLE ASBESTOS
<input type="checkbox"/> CONSTRUCTION SOIL	<input type="checkbox"/> WOOD
<input type="checkbox"/> STOCK PILE	<input type="checkbox"/> ASH
	<input type="checkbox"/> OTHER

**GENERATING FACILITY:**  
 4550 San Pablo Ave                      **EMERYVILLE**

**RECEIVING FACILITY:**  
 FORWARD INC. LANDFILL  
 9999 SOUTH AUSTIN ROAD  
 MANTECA, CALIFORNIA 95336  
 (209) 982-4298 PHONE  
 (209) 982-1009 FAX

TRANSPORTER  
HAULER MUST COMPLETE

**NAME:** CONRAD + SON  
**ADDRESS:** 9493 ESCALON BOWLITA RD  
**CITY/STATE/ZIP:** ESCALON CA 96320  
**PHONE:** 209 886-5610  
**SIGNATURE OF AUTHORIZED AGENT OR DRIVER:**  
 \* *Paul [Signature]*  
**DATE:** 10-23-98

**TRACTOR LIC:** 9D31190 CA    **TRUCK NUMBER:**  
**TRAILER LIC:** D. CONRAD    1140  
**TRAILER LIC:**  
**END DUMP:**     **BOTTOM DUMP:**     **TRANSFER:**   
**ROLL-OFF(S):**     **FLAT-BED:**     **VAN:**     **DRUMS:**

FACILITY REQUIREMENTS

**FORWARD INC. LANDFILL**

Forward shall have no obligation to accept the waste if weather or other conditions impair the safe and effective disposal of the waste or if the waste impairs the safe and effective operation of the Landfill. Forward shall use reasonable efforts to promptly notify Disposer of its inability to accept the waste for any reason. If Forward's refusal to accept the waste is based on weather or other site conditions, Forward shall notify the Disposer when site conditions are expected to change such that Forward will be able to accept the waste.

**REMARKS:**  
**FACILITY TICKET NUMBER:**  
**SIGNATURE OF AUTHORIZED AGENT:**  
 \* *[Signature]*  
**DATE:**

**CUBIC YARDS:** 21.52

DISPOSAL METHOD	TO BE COMPLETED BY FORWARD				
	DISPOSE	BIO	AERATE	STOCKPILE	OTHER
<input checked="" type="checkbox"/> SOIL					
<input type="checkbox"/> SLUDGE					
<input type="checkbox"/> NON-FRIABLE ASBESTOS					
<input type="checkbox"/> WOOD					
<input type="checkbox"/> ASH					
<input type="checkbox"/> OTHER					