

ALAMEDA COUNTY
HEALTH CARE SERVICES

AGENCY
DAVID J. KEARS, Agency Director



ENVIRONMENTAL HEALTH SERVICES
ENVIRONMENTAL PROTECTION
1131 Harbor Bay Parkway, Suite 250
Alameda, CA 94502-6577
(510) 567-6700
FAX (510) 337-9335

August 24, 2000

Paul Richards
Mills College
Campus Facilities
5000 MacArthur Blvd.
Oakland, CA 94613

Dear Mr. Richards:

Subject: Mills College, 5000 MacArthur Blvd., Oakland, CA 94613
StId 3221

On July 18, 2000, you were sent a letter entitled, "LANDOWNER NOTIFICATION AND PARTICIPATION REQUIREMENTS". We have not received the information requested. The closure review process cannot be completed for this case without this information.

If you have any questions, please call me at (510) 567-6746.

Sincerely,

Don Hwang
Hazardous Materials Specialist

Enclosure

C: File
67,



ENVIRONMENTAL HEALTH SERVICES
ENVIRONMENTAL PROTECTION
1131 Harbor Bay Parkway, Suite 250
Alameda, CA 94502-6577
(510) 567-6700
FAX (510) 337-9335

July 18, 2000

Paul Richards
Mills College
Campus Facilities
5000 MacArthur Blvd.
Oakland, CA 94613

Dear Mr. Richards:

Subject: Mills College, 5000 MacArthur Blvd., Oakland, CA 94613
SId 3221

LANDOWNER NOTIFICATION AND PARTICIPATION REQUIREMENTS

This letter is to inform you of new legislative requirements pertaining to cleanup and closure of sites where an unauthorized release of hazardous substance, including petroleum, has occurred from an underground storage tank (UST). Section 25297.15(a) of Ch. 6.7 of the Health & Safety Code requires the primary or active responsible party to notify all current record owners of fee title to the site of: 1) a site cleanup proposal, 2) a site closure proposal, 3) a local agency intention to make a determination that no further action is required, and 4) a local agency intention to issue a closure letter. Section 25297.15(b) requires the local agency to take all reasonable steps to accommodate responsible landowners' participation in the cleanup or site closure process and to consider their input and recommendations.

For purposes of implementing these sections, you have been identified as the primary or active responsible party. Please provide to this agency, within twenty (20) calendar days of receipt of this notice, a complete mailing list of all current record owners of fee title to the site. You may use the enclosed "list of landowners" form (sample letter 2) as a template to comply with this requirement. If the list of current record owners of fee title to the site changes, you must notify the local agency of the change within 20 calendar days from when you are notified of the change.

If you are the sole landowner, please indicate that on the landowner list form. The following notice requirements do not apply to responsible parties who are the sole landowner for the site.

Mr. Richards
Page 2 of 2
July 18, 2000

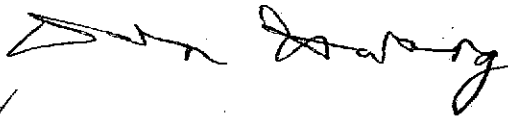
In accordance with Section 25297.15(a) of Ch. 6.7 of the Health & Safety Code, you must certify to the local agency that all current record owners of fee title to the site have been informed of the proposed action before the local agency may do any of the following:

- 1) consider a cleanup proposal (corrective action plan)
- 2) consider a site closure proposal
- 3) make a determination that no further action is required
- 4) issue a closure letter

You may use the enclosed "notice of proposed action" form (sample letter 3) as a template to comply with this requirement. Before approving a cleanup proposal or site closure proposal, determining that no further action is required, or issuing a closure letter, the local agency will take all reasonable steps necessary to accommodate responsible landowner participation in the cleanup and site closure process and will consider all input and recommendations from any responsible landowner.

Please call me at (510) 567-6746 should you have any questions about the content of this letter.

Sincerely,



✓ Don Hwang
Hazardous Materials Specialist

Enclosures

SAMPLE LETTER (2): LIST OF LANDOWNERS FORM

Name of local agency
Street address
City

SUBJECT: CERTIFIED LIST OF RECORD FEE TITLE OWNERS FOR (*Site Name and Address*)

(Note: Fill out item 1 if there are multiple site landowners. If you are the sole site landowner, skip item 1 and fill out item 2.)

1. In accordance with section 25297.15(a) of Chapter 6.7 of the Health & Safety Code, I, (*name of primary responsible party*), certify that the following is a complete list of current record fee title owners and their mailing addresses for the above site:

2. In accordance with section 25297.15(a) of Chapter 6.7 of the Health & Safety Code, I, (*name of primary responsible party*), certify that I am the sole landowner for the above site.

Sincerely,

Signature of primary responsible party

Name of primary responsible party

SAMPLE LETTER 3: NOTICE OF PROPOSED ACTION SUBMITTED TO LOCAL AGENCY

Name of local agency
Street address
City

SUBJECT: NOTICE OF PROPOSED ACTION SUBMITTED TO LOCAL AGENCY FOR *(Site Name and Address)*

In accordance with section 25297,15(a) of Chapter 6.7 of the Health & Safety Code, I, *(name of primary responsible party)*, certify that I have notified all responsible landowners of the enclosed proposed action. Check space for applicable proposed action(s):

- cleanup proposal (corrective action plan)
- site closure proposal
- local agency intention to make a determination that no further action is required
- local agency intention to issue a closure letter

Sincerely,

Signature of primary responsible party

Name of primary responsible party

cc: Names and addresses of all record fee title owners

ALAMEDA COUNTY
HEALTH CARE SERVICES

AGENCY
DAVID J. KEARS, Agency Director



ENVIRONMENTAL HEALTH SERVICES
ENVIRONMENTAL PROTECTION
1131 Harbor Bay Parkway, Suite 250
Alameda, CA 94502-6577
(510) 567-6700
FAX (510) 337-9335

July 18, 2000

Paul Richards
Mills College
Campus Facilities
5000 MacArthur Blvd.
Oakland, CA 94613

Dear Mr. Richards:

Subject: Mills College, 5000 MacArthur Blvd., Oakland, CA 94613
StId 3221

LANDOWNER NOTIFICATION AND PARTICIPATION REQUIREMENTS

This letter is to inform you of new legislative requirements pertaining to cleanup and closure of sites where an unauthorized release of hazardous substance, including petroleum, has occurred from an underground storage tank (UST). Section 25297.15(a) of Ch. 6.7 of the Health & Safety Code requires the primary or active responsible party to notify all current record owners of fee title to the site of: 1) a site cleanup proposal, 2) a site closure proposal, 3) a local agency intention to make a determination that no further action is required, and 4) a local agency intention to issue a closure letter. Section 25297.15(b) requires the local agency to take all reasonable steps to accommodate responsible landowners' participation in the cleanup or site closure process and to consider their input and recommendations.

For purposes of implementing these sections, you have been identified as the primary or active responsible party. Please provide to this agency, within twenty (20) calendar days of receipt of this notice, a complete mailing list of all current record owners of fee title to the site. You may use the enclosed "list of landowners" form (sample letter 2) as a template to comply with this requirement. If the list of current record owners of fee title to the site changes, you must notify the local agency of the change within 20 calendar days from when you are notified of the change.

If you are the sole landowner, please indicate that on the landowner list form. The following notice requirements do not apply to responsible parties who are the sole landowner for the site.

Mr. Richards
Page 2 of 2
July 18, 2000

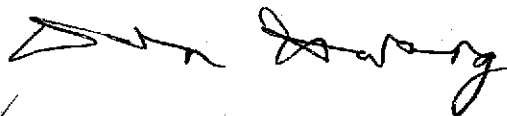
In accordance with Section 25297.15(a) of Ch. 6.7 of the Health & Safety Code, you must certify to the local agency that all current record owners of fee title to the site have been informed of the proposed action before the local agency may do any of the following:

- 1) consider a cleanup proposal (corrective action plan)
- 2) consider a site closure proposal
- 3) make a determination that no further action is required
- 4) issue a closure letter

You may use the enclosed "notice of proposed action" form (sample letter 3) as a template to comply with this requirement. Before approving a cleanup proposal or site closure proposal, determining that no further action is required, or issuing a closure letter, the local agency will take all reasonable steps necessary to accommodate responsible landowner participation in the cleanup and site closure process and will consider all input and recommendations from any responsible landowner.

Please call me at (510) 567-6746 should you have any questions about the content of this letter.

Sincerely,



Don Hwang
Hazardous Materials Specialist

Enclosures

SAMPLE LETTER (2): LIST OF LANDOWNERS FORM

Name of local agency
Street address
City

SUBJECT: CERTIFIED LIST OF RECORD FEE TITLE OWNERS FOR (*Site Name and Address*)

(Note: Fill out item 1 if there are multiple site landowners. If you are the sole site landowner, skip item 1 and fill out item 2.)

1. In accordance with section 25297.15(a) of Chapter 6.7 of the Health & Safety Code, I, (*name of primary responsible party*), certify that the following is a complete list of current record fee title owners and their mailing addresses for the above site:

2. In accordance with section 25297.15(a) of Chapter 6.7 of the Health & Safety Code, I, (*name of primary responsible party*), certify that I am the sole landowner for the above site.

Sincerely,

Signature of primary responsible party

Name of primary responsible party

SAMPLE LETTER 3: NOTICE OF PROPOSED ACTION SUBMITTED TO LOCAL AGENCY

Name of local agency
Street address
City

SUBJECT: NOTICE OF PROPOSED ACTION SUBMITTED TO LOCAL AGENCY
FOR *(Site Name and Address)*

In accordance with section 25297,15(a) of Chapter 6.7 of the Health & Safety Code, I, *(name of primary responsible party)*, certify that I have notified all responsible landowners of the enclosed proposed action. Check space for applicable proposed action(s):

- cleanup proposal (corrective action plan)
- site closure proposal
- local agency intention to make a determination that no further action is required
- local agency intention to issue a closure letter

Sincerely,

Signature of primary responsible party

Name of primary responsible party

cc: Names and addresses of all record fee title owners



State Water Resources Control Board



Division of Clean Water Programs

Winston H. Hill
Secretary for
Environmental
Protection

JUN 30 2000

12014 T Street • Sacramento, California 95814 • (916) 227-4366
Mailing Address: P.O. Box 944212 • Sacramento, California • 94244-2120
FAX (916) 227-4530 • Internet Address: <http://www.swrcb.ca.gov/~cwphome/ustcf>

Gray Davis
Governor

JUN 26 2000

Mills College
5000 Macarthur Blvd
Oakland, CA 94613

RECEIVED
JUN 26 2000
UST CLEANUP FUND

UNDERGROUND STORAGE TANK CLEANUP FUND, CLAIM NO. 002339, FOR SITE ADDRESS: 5000 MACARTHUR BLVD, OAKLAND

The State Water Resources Control Board (State Board) is able to issue, pursuant to applicable regulations, the enclosed Letter of Commitment (LOC) in an amount not to exceed \$50,000. This LOC is based upon our review of the corrective action costs you reported to have incurred to date. The LOC may be modified by the State Board.

It is very important that you read the terms and conditions listed in the enclosed LOC. Claims filed with the Underground Storage Tank Cleanup Fund far exceed the funding available and it is very important that you make use of the funding that has been committed to your cleanup in a timely manner.

You are reminded that you must comply with all regulatory agency time schedules and requirements and you must obtain three bids for any required corrective action. Only corrective action costs *required* by the regulatory agency to protect human health, safety and the environment can be claimed for reimbursement. **Unless waived in writing, you are required to obtain preapproval of costs for all future corrective action work (form enclosed).** If you have any questions on obtaining preapproval of your costs or the three bid requirement, please call Sunil Ramdass, our Technical Reviewer assigned to claims in your Region, at (916) 227-7748. Failure to obtain preapproval of your future costs may result in the costs not being reimbursed.

The following documents needed to submit your reimbursement request are enclosed:

"Reimbursement Request Instructions" package. **Retain this package for future reimbursement requests.** These instructions must be followed when seeking reimbursement for corrective action costs incurred after January 1, 1988. Included in the instruction package are samples of completed reimbursement request forms and spreadsheets.

"Bid Summary Sheet" to list information on bids received which **must be completed and returned.**

"Reimbursement Request" forms which you **must use to request reimbursement of costs incurred.**

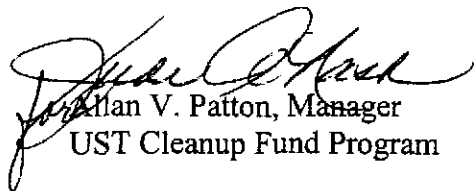
"Spreadsheet" forms which you **must use in conjunction with your reimbursement request.**

➤ **THIS IS IMPORTANT TO YOU, PLEASE NOTE:**

You have 90 calendar days from the date of this letter to submit your first reimbursement request for incurred corrective action costs. **NO EXTENSIONS CAN BE GRANTED.** If you fail to do so, your LOC funds will automatically be reduced to zero (deobligated). Once this occurs, any future funds for this site are subject to availability when you submit your first reimbursement request. We continuously review the status of all active claims. You must continue to remain in compliance and submit a reimbursement request every 6 months. Failure to do so will result in the Fund taking steps to withdraw your LOC.

If you have any questions regarding the enclosed documents, please contact Anna Torres at (916) 227-4388.

Sincerely,


Allan V. Patton, Manager
UST Cleanup Fund Program

Enclosures

cc: Mr. Steve Morse
RWQCB, Region 2
1515 Clay Street, Ste. 1400
Oakland, CA 94612

✓ Mr. Thomas Peacock
Alameda County EHD
1131 Harbor Bay Pkway, 2nd Fl.
Alameda, CA 94502-6577

ALAMEDA COUNTY
HEALTH CARE SERVICES

AGENCY
DAVID J. KEARS, Agency Director



ENVIRONMENTAL HEALTH SERVICES
ENVIRONMENTAL PROTECTION (LOP)
1131 Harbor Bay Parkway, Suite 250
Alameda, CA 94502-6577
(510) 567-6700
FAX (510) 337-9335

April 26, 2000

Paul Richards
Mills College
Campus Facilities
5000 MacArthur Blvd.
Oakland, CA 94613

Dear Mr. Richards:

Subject: Mills College, 5000 MacArthur Blvd., Oakland, CA 94613
StId 3221

On March 21, 2000, Gary Riley of Harza Engineering Co. and I met to discuss "January 2000 Groundwater Sampling Report" dated January 19, 2000 which was submitted by his company for review by this office. The report met this agency's requirement for testing for Methyl Tertiary Butyl Ether (MTBE) and consultation with Chuck Headlee of the California Regional Water Quality Control Board confirmed that our other requirement to show that monitoring well, MW-4, was properly screened, was demonstrated. Harza Engineering Co. indicated that you were anxious to have your monitoring wells destroyed. Although at this time it appears that no further sampling is needed from the wells, the closure review process has not been completed for this case. The steps of the closure process include approval by this agency and concurrence by the California Regional Water Quality Control Board. Therefore, I would recommend that the wells not be destroyed until after all parties have reviewed the case and determined that no further sampling is needed.

If you have any questions, please call me at (510) 567-6746.

Sincerely,

Don Hwang
Hazardous Materials Specialist

C: Gary Riley, Harza Engineering Co., 425 Roland Way, Oakland, CA 94621
✓ Chuck Headlee, RWQCB
✓ File

LOP - RECORD CHANGE REQUEST FORM

printed:
02/01/2000

Mark Out What Needs Changing and Hand to LOP Data Entry
(Name/Address changes go to Annual Programs Data Entry)

Insp: DH

AGENCY # : 10000 SOURCE OF FUNDS: F SUBSTANCE: 12035
 StID : 3221 LOC:
 SITE NAME: Mills College DATE REPORTED : 10/01/1988
 ADDRESS : 5000 Mac Arthur Blvd DATE CONFIRMED:
 CITY/ZIP : Oakland 94619 MULTIPLE RPs : N

SITE STATUS

CASE TYPE: O CONTRACT STATUS: 4 PRIOR CODE:2A4 EMERGENCY RESP:
 RP SEARCH: S DATE COMPLETED: 03/09/1992
 PRELIMINARY ASMNT: U DATE UNDERWAY: 03/03/1989 DATE COMPLETED:
 REM INVESTIGATION: DATE UNDERWAY: DATE COMPLETED:
 REMEDIAL ACTION: DATE UNDERWAY: DATE COMPLETED:
 POST REMED ACT MON: DATE UNDERWAY: DATE COMPLETED:

ENFORCEMENT ACTION TYPE: 1 DATE ENFORCEMENT ACTION TAKEN: 03/09/1992
 LUFT FIELD MANUAL CONSID: 3HSCAWG
 CASE CLOSED: DATE CASE CLOSED:
 DATE EXCAVATION STARTED : 07/24/1989 REMEDIAL ACTIONS TAKEN: ET

RESPONSIBLE PARTY INFORMATION

RP#1-CONTACT NAME: David Johnson
 COMPANY NAME: Mills College
 ADDRESS: 5000 Macarthur Blvd
 CITY/STATE: Oakland Ca 94613

INSPECTOR VERIFICATION:

NAME _____ SIGNATURE _____ DATE _____

DATA ENTRY INPUT:

Name/Address Changes Only			Case Progress Changes		
ANPPGMS _____	LOP _____	DATE _____	LOP _____	DATE _____	

Don - Please take over this case
Thanks
Don

- VII. REMEDIAL MEASURES SHOULD BE TAKEN WHERE PERIODIC SURVEYS AND INSPECTIONS INDICATE THAT PROTECTION IS NO LONGER ADEQUATE ACCORDING TO APPLICABLE CRITERIA. THESE MEASURES MAY INCLUDE:
- A. Repair, replace, or adjust components of cathodic protection systems.
 - B. Provide supplementary facilities where additional is necessary.
 - C. Bare structures can be thoroughly cleaned and properly coated if required to preserve cathodic protection.
 - D. Repair, replace, or adjust continuity and interference bonds.
 - E. Remove accidental metallic contacts.
 - F. Repair defective insulating devices.
 - G. Where shorted casings (metallic contact between casing and carrier pipe) cannot be repaired without removing the carrier pipe, the annular space can be filled with an inert material. Additional cathodic protection may be necessary to compensate for the shorted casing.

ALAMEDA COUNTY
HEALTH CARE SERVICES

AGENCY

DAVID J. KEARS, Agency Director



ENVIRONMENTAL HEALTH SERVICES
ENVIRONMENTAL PROTECTION
1131 Harbor Bay Parkway
Alameda, CA 94502-6577
(510) 567-6700
(510) 337-9432

December 03, 1999

Mr. Paul Richards
Campus Facilities
Mills College
5000 MacArthur Blvd.
Oakland, CA 94613

STID: 3221

Re: Workplan for investigations at Mills College Corporation Yard, located at 5000
MacArthur Blvd., Oakland, CA

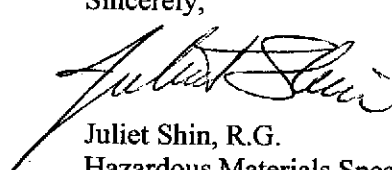
Dear Mr. Richards,

This office has reviewed the November 15, 1999 Groundwater Investigation Workplan for the above site, prepared by Harza Engineering Company. This workplan is acceptable to this office.

The workplan should be implemented within 45 days of the date of this letter (i.e., by January 14, 2000). A report documenting the work should be submitted to this office within 45 days after completing field activities.

If you have any questions or comments, please contact me at (510) 567-6763.

Sincerely,


Juliet Shin, R.G.
Hazardous Materials Specialist

Cc: Mark Litzau
Harza Engineering Company
425 Roland Way
Oakland, CA 94621

COM No.	REMOTE STATION	START TIME	DURATION	PAGES	RESULT	USER ID	REMARKS
518	5105682205	12-03 11:37	00' 36	02/02	OK		

7499402046

Alameda County Environmental Health

1131 Harbor Bay Pkwy., #250
 Alameda CA 94502-6577
 Telephone (510) 567-6700 FAX (510) 337-9335

FACSIMILE COVER SHEET

TO: Mark Litcan, Fax: 510-568-2205

FROM: Suleet Shin

DATE: 12/03/99

Total number of pages including cover sheet 2

-NOTES- Per my message, here is a letter
approving workplan. Take care.
Suleet Shin

ALAMEDA COUNTY
HEALTH CARE SERVICES

AGENCY
DAVID J. KEARS, Agency Director



ENVIRONMENTAL HEALTH SERVICES

1131 Harbor Bay Parkway, Suite 250
Alameda, CA 94502-6577
(510) 567-6700
(510) 337-9335 (FAX)

October 15, 1999

Mr. Paul Richards
Campus Facilities
Mills College
5000 MacArthur Blvd.
Oakland, CA 94613

STID: 3221

Re: Investigations at Mills College, Corporation Yard, located at 5000 MacArthur Blvd.,
Oakland, CA

Dear Mr. Richards,

I have been designated as the new Alameda County Hazardous Materials Specialist overseeing investigations at the above site. Based on my review of the case files, the following additional investigations will be required prior to this office considering the case for closure:

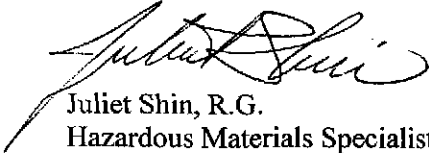
- There are currently five groundwater monitoring wells, MW-1 through MW-5, located on the site. Well MW-4 was installed downgradient of the former tanks in 1994 to delineate the extent of contaminant plume migration off site. This well was mistakenly constructed to screen significantly below the water table, and this office is concerned that groundwater samples collected from this well may not have been picking up the lighter hydrocarbons, such as Total Petroleum Hydrocarbons as gasoline (TPHg) and benzene, which tend to float at the top of the water table. Therefore, this office is requiring that one "grab" groundwater sample be collected from adjacent to Well MW-4 from a boring screening across the water table.
- Per the California Health & Safety Code, Chapter 6.75, Division 20, Section 25299.37.1, "No closure letter pursuant to this chapter shall be issued unless the soil or groundwater, or both, where applicable, at the site have been tested for MTBE [Methyl Tertiary Butyl Ether] and the results of that testing are known to the regional board." Based on this law, this office is requiring that one additional round of groundwater samples be collected from all the site's monitoring wells and analyzed for MTBE using Method 8260.

A workplan addressing the above work shall be submitted to this office within 60 days of the date of this letter (i.e., by December 10, 1999) for our review. If the results of the investigation confirm that no contaminants are migrating off site and that levels of MTBE are below threshold values, than the site may be considered for closure.

Mr. Paul Richards
Re: Mills College Corporation Yard
October 15, 1999
Page 2 of 2

If you have any questions or comments, please contact me at (510) 567-6763.

Sincerely,



Juliet Shin, R.G.
Hazardous Materials Specialist

Cc: Mark Litzau
HARZA Engineering Company
425 Roland Way
Oakland, CA 94621

Leroy Griffin
City of Oakland Fire Dept., OES
1605 Martin Luther King Jr. Way
Oakland, CA 94612-1393

ALAMEDA COUNTY
HEALTH CARE SERVICES

AGENCY

DAVID J. KEARS, Agency Director



ENVIRONMENTAL HEALTH SERVICES
ENVIRONMENTAL PROTECTION (LOP)
1131 Harbor Bay Parkway, Suite 250
Alameda, CA 94502-6577
(510) 567-6700
FAX (510) 337-9335

StID 3221

April 10, 1997

Mr. David Johnson
Mills College
5000 MacArthur Blvd
Oakland, CA 94613

Re: Closure of Underground Storage Tank at Mills College, 5000
MacArthur Blvd, Oakland, CA 94613

Dear Mr. Johnson:

This letter confirms the completion of closure of an underground storage tank (UST) at the Mills Hall/Toyon Meadow area of the Mills College Campus at the above referenced address.

The former UST was removed in June 1989. Soil samples collected at that time identified up to 6,300 parts per million Total Petroleum Hydrocarbons as diesel (ppm TPHd). The pit was overexcavated in two phases, removing a total of approximately 250 cy of hydrocarbon-impacted soil. Confirmatory soil samples were collected from the sidewalls at 10' and 13' bgs. A total of 11 soil borings were also drilled up to 60' west, southwest, and south of the former tank. Soil samples were collected at 10' and 13' to 14.5' bgs from each boring. All soil samples were analyzed for TPHd. There was no analysis for BTEX.

Analytical results of soil samples from 10' bgs contain TPHd ranging from non-detectable levels to 240 ppm TPHd. Soil samples from 13' to 14.5' bgs contained TPHd ranging from 260 ppm to 11,000 ppm. Residual contamination remains in the subsurface, between 12' to 15' bgs, in a sand/gravel lens, for a distance of at least 60' down-gradient from the former tank location. The depth of contamination appears to be in the zone of groundwater fluctuation.

Three groundwater monitoring wells were installed at the site. Well MHW-2 is in the immediate vicinity of the former tank location. Well MHW-1 is ~50' downgradient, and well MHW-3 is ~140' northwest of the former tank excavation. During landscape renovation activities in May 1994, monitoring well MHW-1 was destroyed. A new well MHW-1A, was installed in the approximate location of the destroyed well. Groundwater was sampled eight times (from June 1991 to September 1996). Groundwater from well MHW-2 has identified TPHd ranging from 100 ppb to 3,200 ppb. The most recent sampling event identified 160 ppb TPHd. Groundwater from well MHW-1/1A has only contained non-detectable to trace levels of TPHd. BTEX have not been detected except in

David Johnson
April 10, 1997

re: Mills College
5000 MacArthur Blvd
Oakland, CA

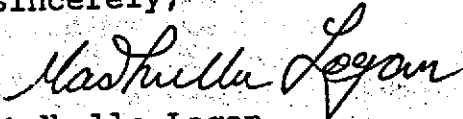
April 1995 when trace levels of benzene and/or toluene were identified. Semi-volatile compounds were not identified in groundwater during the September 1996 sampling event.

It appears groundwater has not been significantly impacted by the diesel fuel release at the site. Residual TPHd in soil and groundwater, absent BTEX and PNAs, should not pose a risk to human health or the environment.

Based upon the available information and with the provision that the information provided to this agency was accurate and representative of site conditions, no further action related to the closure of the former diesel UST is required. A formal case closure for the site will be issued after the completion of soil and groundwater remediation at the corporation yard.

If you have any further questions concerning this matter, please contact me at (510) 567-6764.

Sincerely,



Madhulla Logan
Hazardous Materials Specialist

cc: files

mills.1

January 29, 1997

97 JAN 30 PM 2:42

Ms. Madhulla Logan
Alameda County Health Care Services Agency
Department of Environmental Health
1131 Harbor Bay Parkway, 2nd Floor
Alameda, CA 94502

Re: Mills College - Toyon Meadow, Oakland, California
Project No.: K275-G

Dear Ms. Logan:

On behalf of Mills College, Harza Engineering Company of California has requested case closure of the former leaking underground storage tank (UST) removed in 1989 from the Toyon Meadow area of Mills College in Oakland, California. Harza has performed a number of investigations defining the extent and magnitude of diesel contamination at the site, and has conducted ground water monitoring since July 1989. At your request, Harza conducted an additional investigation in May 1996 to further evaluate residual diesel levels in ground water in the area of the former UST. The investigation results, presented in Harza's report *Additional Site Investigation* (June 28, 1996), indicated the presence of diesel at 75 parts per million (ppm). Based on this investigation, you requested one final round of sampling of the existing monitoring wells, with analysis of the samples for semivolatile organic compounds (SVOCs) in addition to the standard parameters of total petroleum hydrocarbons as diesel (TPHd) and benzene, toluene, ethylbenzene, and xylenes (BTEX). This sampling event was conducted in September 1996, and results were presented in *September 1996 Semiannual Ground Water Sampling Report, Mills Hall/Toyon Meadow* (Harza, October 21, 1996). SVOCs were not detected at or above laboratory method reporting limits (MRLs) in samples from the four ground water monitoring wells.

In your telephone conversation with Mr. Derek Armentrout of Harza on January 13, 1996, you have now requested still more evaluation of the potential presence of benzo(a)pyrene, a specific SVOC, in ground water in the former UST area, even though the previous monitoring well samples did not contain SVOCs. In response to your request, Harza provides the following analysis.

K275GLTR.030
1-29-97

According to the *Leaking Underground Fuel Tank (LUFT) Field Manual*, the proportion of benzo(a)pyrene in pure diesel fuel is 0.07 milligrams per kilogram (mg/kg). Assuming this proportion of benzo(a)pyrene is present in the diesel fuel detected in ground water at the site, the projected benzo(a)pyrene concentration in a sample with 75 ppm diesel would be 0.005 parts per billion (ppb), or micrograms per liter. Please note that this concentration is 2000 times less than the standard laboratory MRL of 10 ppb.

Although ground water at the site is not a potential drinking water source and has no identified beneficial uses, we compared the projected benzo(a)pyrene concentration with drinking water standards to provide the most conservative evaluation of potential risk. The California and Federal Maximum Concentration Limit (MCL) for benzo(a)pyrene is 0.2 ppb, a factor of 40 greater than the projected concentration. Although there is no identified exposure route to ground water in the area of the former UST, we also compared the concentration to a generic Risk-Based Corrective Action (RBCA) Tier 1 risk-based screening level for benzo(a)pyrene. The projected benzo(a)pyrene concentration is less than the most conservative screening level of 0.0117 ppb, based on ground water ingestion in a residential scenario with one-in-a-million cancer risk (*Emergency Standard Guide for Risk-Based Corrective Action Applied at Petroleum Release Sites*, American Society for Testing and Materials, ES38-94, July 1994).

Our evaluation indicates no significant risk from benzo(a)pyrene in ground water at the site. In our opinion, further investigation is not necessary. We therefore recommend site closure.

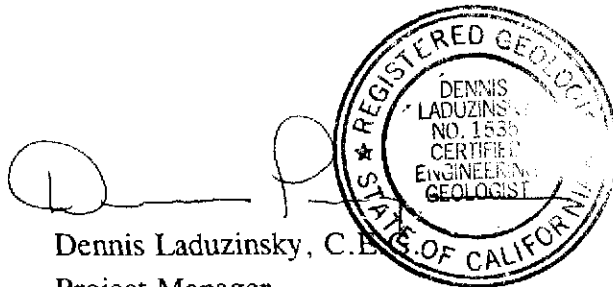
Should you have any questions or require additional information, please do not hesitate to contact us.

Sincerely,

Harza Engineering Company of California



Derek Armentrout
Project Chemist



Dennis Laduzinsky, C.E.
Project Manager

ll
Copies: Mr. David Johnson (Mills College)

K275GLTR.030
1-29-97

HARZA

Consulting Engineers and Scientists

F A X

February 21, 1996

TO: Madhulla Logan

COMPANY: ACDEH

TEL: 337-2865

FAX: 337-9335

FROM: Derek Armentrout

TEL: (510) 636-2156

RE: *Mills College/Toyon Meadow*

PAGES: 2 including cover - please contact Valerie Casey at (510) 636-2124 if transmission is incomplete

Per your request.

HARZA

Consulting Engineers and Scientists

December 6, 1994

Ms. Juliet Shin

Alameda County Health Care Services Agency

Department of Environmental Health, Hazardous Materials Division

1131 Harbor Bay Parkway, 2nd Floor

Alameda, CA 94502-6577

Re: Excavated Soil
Mills College, Oakland, California
Project No.: K275-J

Dear Ms. Shin:

This letter summarizes our findings regarding the fate of excavated soil from the Toyon Meadow and Corporation Yard sites, as requested in the September 7, 1994 letter from the Alameda County Health Care Services Agency. Harza and Mills College have made a diligent effort to ascertain this information, but have been unable to locate any documents discussing the fate of the soil.

It is believed that approximately 100 cubic yards of soil excavated at the Corporation Yard were aerated on site until petroleum hydrocarbon concentrations were below method reporting limits. The soil was then reportedly used as fill on site. No analytical reports or other records could be located.

Ericson Environmental, the transporter of the approximately 250 cubic yards of soil removed from the Toyon Meadow site, could not locate any documents such as waste manifests or profiles pertaining to this soil. They indicated, however, that they believed the soil had been transported to a Class III landfill for disposal.

Should you have any questions or require additional information, please do not hesitate to contact me.

Sincerely,

Harza Consulting Engineers and Scientists


Dennis Laduzinsky, C.E.G.

Head, Geology and Hydrogeology

DL:as/enc1.

Copies: Addressee (1)

Mr. David Johnson (Mills College - 1)

K275-J project.fr128128
12-06-94425 Roland Way Oakland, California 94621
Tel: (510) 568-4001 Fax: (510) 568-2205255 North Market, Suite 248 San Jose, California 95110
Tel: (408) 288-8312 Fax: (510) 568-2205

ALAMEDA COUNTY
HEALTH CARE SERVICES



AGENCY

DAVID J. KEARS, Agency Director

RAFAT A. SHAHID, Assistant Agency Director

December 13, 1994

Mr. David Johnson
Campus Facilities
Mills College
5000 MacArthur Blvd.
Oakland, CA 94613

ALAMEDA COUNTY CC4580
DEPT. OF ENVIRONMENTAL HEALTH
ENVIRONMENTAL PROTECTION DIVISION
1131 HARBOR BAY PKWY., #250
ALAMEDA CA 94502-6577

STID 3221

RE: Investigations at Mills College, Corporation Yard, located
at 5000 MacArthur Blvd., Oakland, California

Dear Mr. Johnson,

This office has reviewed HARZA's Ground Water Sampling Report, dated December 5, 1994, for the Corporation Yard. Based on the recent hydraulic studies conducted on Well MW-4, it appears that it is still inconclusive as to whether the three initial wells, MW-1 through MW-3, are screening in the same aquifer as Well MW-4. Additionally, even if they may be screening in the same aquifer, it appears that Well MW-4 may not be screening from the upper portion of the aquifer, where dissolved- and separate-phase hydrocarbons tend to reside.

Although quarterly ground water monitoring of all four wells shall continue, further work should be conducted to confirm that the observed ground water contaminant plume is limited to the site, and to delineate the extent of the contaminant plume in the westerly direction, in which direction ground water has been recorded to flow for the last two consecutive quarters.

If you have any questions or comments, please contact me at (510) 567-6763.

Sincerely,

Juliet Shin
Senior Hazardous Materials Specialist

cc: Dennis Laduzinsky
HARZA Consulting Engineers
and Scientists
425 Roland Way
Oakland, CA 94621

Edgar Howell

December 6, 1994

Ms. Juliet Shin
Alameda County Health Care Services Agency
Department of Environmental Health, Hazardous Materials Division
1131 Harbor Bay Parkway, 2nd Floor
Alameda, CA 94502-6577

Re: Excavated Soil
Mills College, Oakland, California
Project No.: K275-1

Dear Ms. Shin:

This letter summarizes our findings regarding the fate of excavated soil from the Toyon Meadow and Corporation Yard sites, as requested in the September 7, 1994 letter from the Alameda County Health Care Services Agency. Harza and Mills College have made a diligent effort to ascertain this information, but have been unable to locate any documents discussing the fate of the soil.

It is believed that approximately 100 cubic yards of soil excavated at the Corporation Yard were aerated on site until petroleum hydrocarbon concentrations were below method reporting limits. The soil was then reportedly used as fill on site. No analytical reports or other records could be located.

Ericson Environmental, the transporter of the approximately 250 cubic yards of soil removed from the Toyon Meadow site, could not locate any documents such as waste manifests or profiles pertaining to this soil. They indicated, however, that they believed the soil had been transported to a Class III landfill for disposal.

Should you have any questions or require additional information, please do not hesitate to contact me.

Sincerely,

Harza Consulting Engineers and Scientists



Dennis Laduzinsky, C.E.G.
Head, Geology and Hydrogeology

DL:aa\encl.

Copies: Addressee (1)
Mr. David Johnson (Mills College - 1)

K275-1 project.ltr\28128
12-06-94

ALAMEDA COUNTY
HEALTH CARE SERVICES

AGENCY

DAVID J. KEARS, Agency Director



RAFAT A. SHAHID, Assistant Agency Director

September 7, 1994

David Johnson
Campus Facilities
Mills College
5000 MacArthur Blvd.
Oakland, CA 94613

ALAMEDA COUNTY 430-453
HEALTH CARE SERVICES
DEPT. OF ENVIRONMENTAL HEALTH
1131 HARBOR BAY PKWY 2ND FLOOR
ALAMEDA CA 94502-6577

STID 3221

Re: Investigations at Mills College (Toyon Meadow and Corporation Yard), located at 5000 MacArthur Blvd., Oakland, California

Dear Mr. Johnson,

This office has reviewed HARZA's Well Installation/Groundwater Sampling Reports, dated August 17, 1994, for both the Toyon Meadow and Corporation Yard sites at Mills College. Per HARZA's proposals, the frequency of ground water sampling and water level measurements at Toyon Meadow may be switched to semi-annual monitoring. Additionally, the approval for semi-annual ground water sampling and quarterly ground water gradient determinations at the Corporation Yard is pending on the following unresolved issue.

Based on the well logs for the site's four monitoring wells, there is some concern that the downgradient well, MW-4, is not hydraulically connected with the other three wells. During our June 2, 1994 meeting, you stated that Seminary Avenue is an old creek bed and that Well MW-4 may be picking up ground water flowing along Seminary Avenue, rather than ground water flowing from the former tank location. If this was, in fact, the case, it would suggest that the extent of the ground water contaminant plume has not yet been delineated and that the monitoring of Well MW-4 would not be relevant to the tank-related investigations. Please submit a detailed geological discussion to substantiate the assumption that Well MW-4 is hydraulically connected to the other three monitoring wells. If the wells are hydraulically connected, semi-annual monitoring and quarterly water level measurements would be acceptable at this site. However, if these wells are determined to be drawing from different aquifers, other investigative options must be considered.

Additionally, water level measurements recently collected from the Corporation Yard site identified fluctuations in the ground water gradient flow directions. If the ground water gradient continues to fluctuate, an additional monitoring well may be required to delineate the extent of the plume in the other

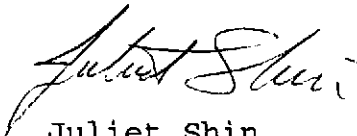
Mr. David Johnson
Re: 5000 MacArthur Blvd.
September 7, 1994
Page 2 of 2

downgradient direction(s). Furthermore, the installation of any additional wells above Seminary Avenue, and at roughly the same elevations as Wells MW-1 through MW-3, may procure more accurate information than Well MW-4 may be able to provide for characterizing the observed ground water contaminant plume.

Lastly, as stated in the County's April 27, 1994 letter, and our meeting on June 2, 1994, this office has no documentation for the fate of the 250 cubic yards of excavated soil from the Toyon Meadow site, nor the 100 cubic yards of excavated soil from the Corporation Yard site. Additionally, this office does not have a copy of the tank removal report for the Toyon Meadow site. Per our meeting on June 2, 1994, Mr. Dennis Laduzinsky, HARZA, stated that HARZA did not have the above information. The above information is needed for future case closure considerations. This office is requesting that you make a diligent effort to ascertain this information and submit copies to this office.

If you have any questions or comments, please contact me at (510) 567-6763.

Sincerely,



Juliet Shin
Hazardous Materials Specialist

cc: Dennis Laduzinsky
HARZA
Consulting Engineers and Scientists
425 Roland Way
Oakland, CA 94621

Edgar Howell

UNDERGROUND STORAGE TANK UNAUTHORIZED RELEASE (LEAK) / CONTAMINATION SITE REPORT

EMERGENCY <input type="checkbox"/> YES <input checked="" type="checkbox"/> NO		HAS STATE OFFICE OF EMERGENCY SERVICES REPORT BEEN FILED? <input type="checkbox"/> YES <input checked="" type="checkbox"/> NO		FOR LOCAL AGENCY USE ONLY I HEREBY CERTIFY THAT I HAVE DISTRIBUTED THIS INFORMATION ACCORDING TO THE DISTRIBUTION SHOWN ON THE INSTRUCTION SHEET ON THE BACK PAGE OF THIS FORM.	
REPORT DATE 0 M 6 M 0 D 2 D 9 Y 4 Y		CASE # 3221		SIGNED: <i>Juliet Shin</i> DATE: 7/14/94	
REPORTED BY	NAME OF INDIVIDUAL FILING REPORT David Johnson		PHONE (510) 430-2146		SIGNATURE <i>David A. Johnson</i>
	REPRESENTING <input checked="" type="checkbox"/> OWNER/OPERATOR <input type="checkbox"/> REGIONAL BOARD <input type="checkbox"/> LOCAL AGENCY <input type="checkbox"/> OTHER		COMPANY OR AGENCY NAME Mills College		
	ADDRESS 5000 MacArthur Blvd. STREET CITY Oakland STATE Ca. ZIP 94613				
RESPONSIBLE PARTY	NAME Mills College <input type="checkbox"/> UNKNOWN		CONTACT PERSON David Johnson		PHONE (510) 430-2146
	ADDRESS 5000 MacArthur Blvd. STREET CITY Oakland STATE Ca. ZIP 94613				
SITE LOCATION	FACILITY NAME (IF APPLICABLE) Mills College		OPERATOR Mills College Plant		PHONE (510) 430-2146
	ADDRESS 5000 MacArthur Blvd. STREET CITY Oakland COUNTY Alameda ZIP 94613				
	CROSS STREET Seminary Ave.				
IMPLEMENTING AGENCIES	LOCAL AGENCY AGENCY NAME Alameda Co. Dept. of Env. Health		CONTACT PERSON Juliet Shin		PHONE (510) 271-4530
	REGIONAL BOARD		PHONE ()		
SUBSTANCES INVOLVED	(1) NAME Gasoline			QUANTITY LOST (GALLONS) <input checked="" type="checkbox"/> UNKNOWN	
	(2)			<input type="checkbox"/> UNKNOWN	
DISCOVERY/ABATEMENT	DATE DISCOVERED 1 M 0 M 2 D 1 D 8 Y 8 Y		HOW DISCOVERED <input type="checkbox"/> INVENTORY CONTROL <input type="checkbox"/> SUBSURFACE MONITORING <input type="checkbox"/> NUISANCE CONDITIONS <input type="checkbox"/> TANK TEST <input checked="" type="checkbox"/> TANK REMOVAL <input type="checkbox"/> OTHER		
	DATE DISCHARGE BEGAN <input checked="" type="checkbox"/> UNKNOWN		METHOD USED TO STOP DISCHARGE (CHECK ALL THAT APPLY) <input type="checkbox"/> REMOVE CONTENTS <input checked="" type="checkbox"/> CLOSE TANK & REMOVE <input type="checkbox"/> REPAIR PIPING <input type="checkbox"/> REPAIR TANK <input type="checkbox"/> CLOSE TANK & FILL IN PLACE <input type="checkbox"/> CHANGE PROCEDURE <input type="checkbox"/> REPLACE TANK <input type="checkbox"/> OTHER		
	HAS DISCHARGE BEEN STOPPED? <input checked="" type="checkbox"/> YES <input type="checkbox"/> NO IF YES, DATE 1 M 0 M 2 D 1 D 8 Y 8 Y				
SOURCE/ CAUSE	SOURCE OF DISCHARGE <input type="checkbox"/> TANK LEAK <input checked="" type="checkbox"/> UNKNOWN <input type="checkbox"/> PIPING LEAK <input type="checkbox"/> OTHER		CAUSE(S) <input type="checkbox"/> OVERFILL <input type="checkbox"/> RUPTURE/FAILURE <input type="checkbox"/> SPILL <input type="checkbox"/> CORROSION <input checked="" type="checkbox"/> UNKNOWN <input type="checkbox"/> OTHER		
	CASE TYPE CHECK ONE ONLY <input type="checkbox"/> UNDETERMINED <input type="checkbox"/> SOIL ONLY <input checked="" type="checkbox"/> GROUNDWATER <input type="checkbox"/> DRINKING WATER - (CHECK ONLY IF WATER WELLS HAVE ACTUALLY BEEN AFFECTED)				
CURRENT STATUS	CHECK ONE ONLY <input type="checkbox"/> NO ACTION TAKEN <input type="checkbox"/> PRELIMINARY SITE ASSESSMENT WORKPLAN SUBMITTED <input checked="" type="checkbox"/> POLLUTION CHARACTERIZATION <input type="checkbox"/> LEAK BEING CONFIRMED <input type="checkbox"/> PRELIMINARY SITE ASSESSMENT UNDERWAY <input type="checkbox"/> POST CLEANUP MONITORING IN PROGRESS <input type="checkbox"/> REMEDIATION PLAN <input type="checkbox"/> CASE CLOSED (CLEANUP COMPLETED OR UNNECESSARY) <input type="checkbox"/> CLEANUP UNDERWAY				
	CHECK APPROPRIATE ACTION(S) (SEE BACK FOR DETAILS) <input type="checkbox"/> EXCAVATE & DISPOSE (ED) <input type="checkbox"/> REMOVE FREE PRODUCT (FP) <input type="checkbox"/> ENHANCED BIO DEGRADATION (IT) <input type="checkbox"/> CAP SITE (CD) <input type="checkbox"/> EXCAVATE & TREAT (ET) <input type="checkbox"/> PUMP & TREAT GROUNDWATER (GT) <input type="checkbox"/> REPLACE SUPPLY (RS) <input type="checkbox"/> CONTAINMENT BARRIER (CB) <input checked="" type="checkbox"/> NO ACTION REQUIRED (NA) <input type="checkbox"/> TREATMENT AT HOOKUP (HU) <input type="checkbox"/> VENT SOIL (VS) <input type="checkbox"/> VACUUM EXTRACT (VE) <input type="checkbox"/> OTHER (OT)				
	COMMENTS				

INSTRUCTIONS

EMERGENCY

Indicate whether emergency response personnel and equipment were involved at any time. If so, a Hazardous Material Incident Report should be filed with the State Office of Emergency Services (OES) at 2800 Meadowview Road, Sacramento, CA 95832. Copies of the OES report form may be obtained at your local underground storage tank permitting agency. Indicate whether the OES report has been filed as of the date of this report.

LOCAL AGENCY ONLY

To avoid duplicate notification pursuant to Health and Safety code Section 25180.5, a government employee should sign and date the form in this block. A signature here does not mean that the leak has been determined to pose a significant threat to human health or safety, only that notification procedures have been followed if required.

REPORTED BY

Enter your name, telephone number, and address. Indicate which party you represent and provide company or agency name.

RESPONSIBLE PARTY

Enter name, telephone number, contact person, and address of the party responsible for the leak. The responsible party would normally be the tank owner.

SITE LOCATION

Enter information regarding the tank facility. At a minimum, you must provide the facility name and full address.

IMPLEMENTING AGENCIES

Enter names of the local agency and Regional Water Quality Control Board involved.

SUBSTANCES INVOLVED

Enter the name and quantity lost of the hazardous substance involved. Room is provided for information on two substances if appropriate. If more than two substances leaked, list the two of most concern for cleanup.

DISCOVERY/ABATEMENT

Provide information regarding the discovery and abatement of the leak.

SOURCE/CAUSE

Indicate source(s) of leak. Check box(es) indicating cause of leak.

CASE TYPE

Indicate the case type category for this leak. Check one box only. Case type is based on the most sensitive resource affected. For example, if both soil and ground water have been affected, case type will be "Ground Water". Indicate "Drinking Water" only if one or more municipal or domestic water wells have actually been affected. A "Ground Water" designation does not imply that the affected water cannot be, or is not, used for drinking water, but only that water wells have not yet been affected. It is understood that case type may change upon further investigation.

CURRENT STATUS

Indicate the category which best describes the current status of the case. Check one box only. The response should be relative to the case type. For example, if case type is "Ground Water", then "Current Status" should refer to the status of the ground water investigation or cleanup, as opposed to that of soil. Descriptions of options follow:

No Action Taken - No action has been taken by responsible party beyond initial report of leak.

Leak Being Confirmed - Leak suspected at site, but has not been confirmed.
Preliminary Site Assessment Workplan Submitted - workplan/proposal requested of/submitted by responsible party to determine whether ground water has been, or will be, impacted as a result of the release.
Preliminary Site Assessment Underway - implementation of workplan.
Pollution Characterization - responsible party is in the process of fully defining the extent of contamination in soil and ground water and assessing impacts on surface and/or ground water.
Remediation Plan - remediation plan submitted evaluating long term remediation options. Proposal and implementation schedule for appropriate remediation options also submitted.
Cleanup Underway - implementation of remediation plan.
Post Cleanup Monitoring in Progress - periodic ground water or other monitoring at site, as necessary, to verify and/or evaluate effectiveness of remedial activities.
Case Closed - regional board and local agency in concurrence that no further work is necessary at the site.

IMPORTANT: THE INFORMATION PROVIDED ON THIS FORM IS INTENDED FOR GENERAL STATISTICAL PURPOSES ONLY AND IS NOT TO BE CONSTRUED AS REPRESENTING THE OFFICIAL POSITION OF ANY GOVERNMENTAL AGENCY

REMEDIAL ACTION

Indicate which action have been used to cleanup or remediate the leak. Descriptions of options follow:

Cap Site - install horizontal impermeable layer to reduce rainfall infiltration.
Containment Barrier - install vertical dike to block horizontal movement of contaminant.
Excavate and Dispose - remove contaminated soil and dispose in approved site.
Excavate and Treat - remove contaminated soil and treat (includes spreading or land farming).
Remove Free Product - remove floating product from water table.
Pump and Treat Groundwater - generally employed to remove dissolved contaminants.
Enhanced Biodegradation - use of any available technology to promote bacterial decomposition of contaminants.
Replace Supply - provide alternative water supply to affected parties.
Treatment at Hookup - install water treatment devices at each dwelling or other place of use.
Vacuum Extract - use pumps or blowers to draw air through soil.
Vent Soil - bore holes in soil to allow volatilization of contaminants.
No Action Required - incident is minor, requiring no remedial action.

COMMENTS - Use this space to elaborate on any aspects of the incident.

SIGNATURE - Sign the form in the space provided.

DISTRIBUTION

If the form is completed by the tank owner or his agent, retain the last copy and forward the remaining copies intact to your local tank permitting agency for distribution.

1. Original - Local Tank Permitting Agency
2. State Water Resources Control Board, Division of Clean Water Programs, Underground Storage Tank Program, P.O. Box 944D12, Sacramento, CA 94244-2120
3. Regional Water Quality Control Board
4. Local Health Officer and County Board of Supervisors or their designee to receive Proposition 65 notifications.
5. Owner/Responsible party.

94 JUL 11 AM 9:46

July 6, 1994

Ms. Juliet Shin
Alameda County Department of Environmental Health
Hazardous Materials Division
1131 Harbor Bay Pkwy.
Alameda, California 94502

Re: UST Unauthorized Release Report
Mills College, Oakland, California
Project No.: K275-1

Dear Ms. Shin:

Enclosed is an Underground Storage Tank Unauthorized Release Report for the Mills College Corporation Yard in Oakland, California. The release was discovered October 21, 1988. This report is filed on behalf of Mills College.

Should you have any questions or require additional information, please do not hesitate to contact me.

Sincerely,

Harza Consulting Engineers and Scientists



Derek D. Armentrout
Staff Chemist

DA:da/encl.

Copies: Mr. David Johnson (Mills College)

ALAMEDA COUNTY
HEALTH CARE SERVICES
AGENCY

DAVID J. KEARS, Agency Director



RAFAT A. SHAHID, ASST. AGENCY DIRECTOR

DEPARTMENT OF ENVIRONMENTAL HEALTH
State Water Resources Control Board
Division of Clean Water Programs
UST Local Oversight Program
80 Swan Way, Rm 200
Oakland, CA 94621
(510) 271-4530

April 27, 1994

David Johnson
Campus Facilities
Mills College
5000 MacArthur Blvd.
Oakland, CA 94613

STID 3221

Re: Work plan for Mills College (Toyon Meadow), located at 5000 MacArthur Blvd., Oakland, California

Dear Mr. Johnson,

This office has reviewed HARZA's work plan, dated April 18, 1994, addressing the relocation of Well MHW-1 at the above site. Although this well does not address the area downgradient of the former tank pit, or some of the soil contamination left in place to the south and southeast of the pit, it does address the area downgradient of the elevated levels of soil contamination identified from Borings B-7, B-8, B-11, and B-1 in July 1989. Up to 11,000 parts per million (ppm) diesel was identified from these borings. Therefore, the proposed location for the new well is acceptable to this office.

The new well must be screened adequately above the shallowest on-site water level to date, which is 8.26 feet below ground surface (bgs). The new well must be surveyed to an established benchmark.

Although the work plan stated that the monitoring well installation would take place within 30 days after approval by the County, your consultants arranged to have the well installed before the County's approval and only gave this office 24 hours notice. In the future, this office would appreciate it if you gave us sufficient time to review your work plans and at least one week's notice prior to implementing the proposed work.

Please be aware that the extent of soil contamination was never fully delineated at the site. Per Article 11, Title 23 California Code of Regulations, you are required to fully characterize the extent and severity of both soil and ground water contamination at the site. A work plan, addressing the delineation of on-site soil contamination, is required to be submitted to this office **within 60 days** of the date of this letter. Please be aware that additional ground water monitoring

David Johnson
Re: 5000 MacArthur
April 27, 1994
Page 2 of 3

wells may eventually be necessary at the site to address the area downgradient of the former tank pit and remaining soil contamination to the south and southeast of the former tank pit.

As stated in the work plan, a quarterly ground water monitoring report will be submitted within four weeks after installing the well. Please be aware that the quarterly ground water monitoring report for the Corporation Yard is also required to be submitted in conjunction with this report.

Lastly, this office does not have a copy of the tank removal report, containing the lab analysis results and sample locations, for the former 500-gallon underground storage tank at Toyon Meadow. Additionally, this office has no formal report documenting the overexcavation and sampling of the pit, the soil boring investigation, nor any documentation for the sampling and fate of all the excavated soil from Toyon Meadow. We only have brief summaries of the event contained in other reports. This office has copies of the following reports:

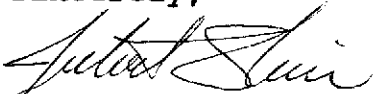
- o Tank Removal Report for Corp. Yard, November 8, 1988
- o Work plan for Investigations at Corp. Yard, March 3, 1989
- o Soil & Ground water Report for Corp. Yard, May 7, 1989
- o Ground Water Sampling Report, Dec '90, for both Toyon Meadow and Corp. Yard sites
- o Work plan for Toyon Meadow, May 6, 1991
- o Soil & Ground water Quality Report, April 16, 1992, Toyon
- o Ground water Sampling Report, October 1992, both sites

Please submit copies of any other reports or documentation you may have on both the Corporation Yard and Toyon Meadow sites, **within 45 days** of the date of this letter. The additional information is necessary to adequately determine appropriate investigative and remedial requirements at the site.

If you have any questions or comments, please contact me at (510) 271-4530.

David Johnson
Re: 5000 MacArthur
April 27, 1994
Page 3 of 3

Sincerely,



Juliet Shin
Hazardous Materials Specialist

cc: Dennis Laduzinsky
HARZA
425 Roland Way
Oakland, CA 94621

Edgar Howell-File(JS)

David Johnson
Re: 5000 MacArthur
April 27, 1994
Page 3 of 3

Sincerely,

Juliet Shin
Hazardous Materials Specialist

cc: Dennis Laduzinsky
HARZA
425 Roland Way
Oakland, CA 94621

Edgar Howell-File(JS)

ALAMEDA COUNTY
HEALTH CARE SERVICES
AGENCY

DAVID J. KEARS, Agency Director



RAFAT A. SHAHID, ASST. AGENCY DIRECTOR

DEPARTMENT OF ENVIRONMENTAL HEALTH
State Water Resources Control Board
Division of Clean Water Programs
UST Local Oversight Program
80 Swan Way, Rm 200
Oakland, CA 94621
(510) 271-4530

March 28, 1994

David Johnson
Campus Facilities
Mills College
5000 MacArthur Blvd.
Oakland, CA 94613

STID 3221

Re: Investigations at Mills College, located at 5000 MacArthur Blvd., Oakland, California

Dear Mr. Johnson,

This office approved a work plan on November 19, 1993 for the installation of an additional monitoring well at the Corporation Yard. The original deadline for the installation of this well was December 31, 1993, however, per a conversation with Tasia Miller, Harza Kaldveer, on March 8, 1994, there was a delay in the installation due to difficulties in obtaining a right-of-way permit from the city. It is the understanding of this office that the monitoring well will now be installed by the end of March 1994. A report documenting this work is required to be submitted within 45 days after completing field activities.

Per my conversation with Tasia Miller on March 8, 1994, Well MW-1 has been destroyed under Zone 7 permit due to the renovation of Mills Hall. You are required to submit a short work plan addressing the relocation of Well MW-1 within 20 days of the date of this letter. Once the work plan is approved, the monitoring well must be installed within 30 days of the date of approval.

Additionally, Mills College is delinquent in the submittal of the required quarterly ground water monitoring reports. The last quarterly ground water monitoring reports submitted to this office were dated December 1992, and documented the October 1992 quarterly sampling event. You are required to resume quarterly monitoring at both the Mills Hall/Toyon Meadow and Corporation Yard sites immediately after the installation of Well MW-4 and the replacement of Well MW-1.

If you have any questions or comments, please contact me at (510) 271-4530.

Mr. David Johnson
Re: 5000 MacArthur Blvd.
March 28, 1994
Page 2 of 2

Sincerely,



Juliet Shin
Hazardous Materials Specialist

cc: Tasia Miller
Harza Kaldveer
425 Roland Way
Oakland, CA 94621

Edgar Howell-File(JS)

2. Isolated from incompatible hazardous materials storage by a noncombustible partition extending not less than 18 inches above and to the sides of the stored material, or
3. Stored in hazardous materials storage cabinets or gas cabinets. Materials which are incompatible shall not be stored within the same cabinet.

(o) **Hazardous Materials Storage Cabinets. 1. General.** When storage cabinets are used to comply with the provisions of this article, such cabinets shall be in accordance with this subsection.

EXCEPTION: Compressed gases shall be stored in cabinets designed in accordance with Section 80.303.

Cabinets shall be conspicuously labeled in red letters on contrasting background "Hazardous—Keep Fire Away."

2. **Construction.** Cabinets shall be constructed of metal. The interior of cabinets shall be treated, coated or constructed of materials that are nonreactive with the hazardous material stored. Such treatment, coating or construction shall include the entire interior of the cabinet. Cabinets shall either be listed as suitable for the intended storage or constructed in accordance with the following:

- A. Cabinets shall be of steel having a thickness of not less than 0.043 inch. The cabinet, including the door, shall be double walled with 1 1/2-inch airspace between the walls. Joints shall be riveted or welded and shall be tight fitting. Doors shall be well fitted, self-closing and equipped with a self-latching device.
- B. The bottoms of cabinets utilized for the storage of liquids shall be liquid tight to a minimum height of 2 inches.

(p) **Fire-extinguishing Systems.** Unless exempted or otherwise provided for in Sections 80.302 through 80.315, indoor storage areas and storage buildings shall be protected by an automatic sprinkler system. The design of the sprinkler system shall be not less than that required under U.B.C. Standard No. 38-1 for Ordinary Hazard Group 3 with a minimum design area of 3,000 square feet. Where the materials or storage arrangement require a higher level of sprinkler system protection in accordance with nationally recognized standards, the higher level of sprinkler system protection shall be provided.

EXCEPTION: Approved alternate automatic fire-extinguishing systems may be used.

(q) **Explosion Venting or Suppression.** Unless exempted or otherwise provided for in Sections 80.302 through 80.315, indoor storage areas and storage buildings shall be provided with explosion venting, equivalent protective devices, suppression systems or barricades. The design shall be by competent persons and recognize the nature of the stored material and its likely behavior in an explosion. Areas which are provided with explosion venting shall comply with the following:

1. Walls, ceilings and roofs exposing another occupancy or use shall be designed to resist a minimum internal pressure of 100 pounds per square foot.

2. Explosion venting shall be only in exterior walls, roofs or through specially designed shafts to the exterior of the building.

3. Venting shall be designed to prevent serious structural damage and the production of lethal projectiles.

4. The aggregate clear vent relief area shall be governed by the pressure resistance of the nonrelieving portions of the building.

5. Vents shall be designed to relieve at a maximum internal pressure of 20 pounds per square foot and shall consist of any one or any combination of the following:

- A. Walls of lightweight material.
- B. Lightly fastened hatch covers.
- C. Lightly fastened, outward-opening swinging doors in exterior walls.
- D. Lightly fastened walls or roofs.

6. Venting devices shall discharge directly to the open air or to an unoccupied space not less than 50 feet in width on the same lot.

7. Relieving devices shall be so located that the discharge end shall be not less than 10 feet vertically and 20 feet horizontally from window openings or exits in the same or adjoining buildings or structures.

8. Discharge shall be in the direction of least exposure and not into the interior of the building.

(r) **Electrical Wiring and Equipment.** Electrical wiring and equipment shall be installed in accordance with the Electrical Code.

(s) **Standby Power.** When mechanical ventilation, treatment systems, temperature control, alarm, detection or other electrically operated systems are required, such systems shall be connected to a secondary source of power to automatically supply electrical power in the event of loss of power from the primary source. See the Electrical Code.

(t) **Limit Controls.** Unless exempted or otherwise provided for in Sections 80.302 through 80.315, limit controls shall be provided as follows:

1. **Liquid-level limit control.** Atmospheric tanks with a capacity exceeding 500 gallons used for the storage of hazardous materials liquids shall be equipped with a liquid-level limit control to prevent overfilling of the tank.

EXCEPTION: Tanks monitored by a system which will limit net contents by weight.

2. **Temperature control.** Materials which must be stored at temperatures other than normal ambient temperatures to prevent a hazardous reaction shall be stored in an area provided with a means to maintain the temperature within a safe range. Redundant temperature control equipment which will operate upon failure of the primary temperature control system shall be provided. Alternate means to prevent a hazardous reaction may be provided.

3. **Pressure.** Stationary tanks used for the storage of hazardous materials liquids which may generate pressures exceeding the tank design limits due to exposure fires or internal reaction shall have some form of construction or device

ALAMEDA COUNTY
HEALTH CARE SERVICES
AGENCY

DAVID J. KEARS, Agency Director



RAFAT A. SHAHID, ASST. AGENCY DIRECTOR

November 19, 1993

Mr. David Johnson
Mills College
5000 MacArthur Blvd.
Oakland, CA 94613

DEPARTMENT OF ENVIRONMENTAL HEALTH
State Water Resources Control Board
Division of Clean Water Programs
UST Local Oversight Program
80 Swan Way, Rm 200
Oakland, CA 94621
(510) 271-4530

STID 3221

Re: Work plan for 5000 MacArthur Blvd., Oakland, California

Dear Mr. Johnson,

This office has reviewed Harza Kaldveer's work plan, dated November 1, 1993, and the addendum showing the proposed monitoring well location, for the above site. This work plan is acceptable to this office. Please be reminded that you must wait a minimum of 24 hours after installing the well before developing the well, and wait a minimum of 24 hours after developing the well before sampling. Additionally, this well must be surveyed to an established benchmark (i.e., to Mean Sea Level) to an accuracy of 0.01 foot.

Field work must commence within 60 days of the date of this letter. A report documenting the work must be submitted to this office within 45 days after completing field activities.

Please be reminded that, per Article 5, Title 23 California Code of Regulations, you are required to continue quarterly ground water monitoring and reporting at the site.

Lastly, according to the County database, an Unauthorized Release/Leak Report form was never filled out for the site. Please complete the attached form and submit it to this office within 20 days of the date of this letter.

If you have any questions or comments, please contact me at (510) 271-4530.

Sincerely,


Juliet Shin
Hazardous Materials Specialist

cc: Dennis Laduzinsky, Harza Kaldveer
425 Roland Way
Oakland, CA 94621

Edgar Howell-File(JS)

ALAMEDA COUNTY
HEALTH CARE SERVICES
AGENCY

DAVID J. KEARS, Agency Director



RAFAT A. SHAHID, ASST. AGENCY DIRECTOR

October 15, 1993

David Johnson
Campus Facilities
Mills College
5000 MacArthur Blvd.
Oakland, CA 94613

DEPARTMENT OF ENVIRONMENTAL HEALTH
State Water Resources Control Board
Division of Clean Water Programs
UST Local Oversight Program
80 Swan Way, Rm 200
Oakland, CA 94621
(510) 271-4530

STID 3221

Re: Investigations at 5000 MacArthur Blvd., Oakland, California

NOTICE OF VIOLATION

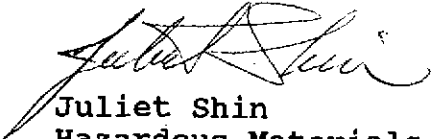
Dear Johnson,

In an April 23, 1993 letter, this office requested that you submit a work plan addressing the installation of an additional well at the Corporation Yard at Mills College by June 15, 1993. To this date, this office has not received this work plan or any communication as to why this work plan has not been submitted. Additionally, according to our files, it appears that the last quarterly ground water monitoring event conducted at the above site was in October 1992. **Per Section 2652, Article 5, Title 23 California Code of Regulations**, you are required to continue quarterly ground water monitoring at both Mills Hall and the Corporation Yard at the site until the site is certified closed by the Regional Water Quality Control Board.

You are required to submit a work plan to this office **within 30 days** of the date of this letter, per **Section 2722, Article 11, Title 23 California Code of Regulations**.

If you have any questions or comments, please contact me at (510) 271-4530.

Sincerely,


Juliet Shin
Hazardous Materials Specialist

cc: Dennis Laduzinsky
Kaldveer Associates
Geoscience Consultants
425 Roland Way
Oakland, CA 94621

Edgar Howell-File(JS)

ALAMEDA COUNTY
HEALTH CARE SERVICES
AGENCY

DAVID J. KEARS, Agency Director



RAFAT A. SHAHID, ASST. AGENCY DIRECTOR

DEPARTMENT OF ENVIRONMENTAL HEALTH
State Water Resources Control Board
Division of Clean Water Programs
UST Local Oversight Program
80 Swan Way, Rm 200
Oakland, CA 94621
(510) 271-4530

April 23, 1993

David Johnson
Campus Facilities
Mills College
5000 MacArthur Blvd.
Oakland, CA 94613

STID 3221

Re: Investigations at 5000 MacArthur Blvd., Oakland, California

Dear Mr. Johnson,

Per a letter from the County, dated October 22, 1992, and a meeting between ourselves and your consultant, Dennis Laduzinsky, on January 8, 1993, it was determined that an additional monitoring well would be required downgradient of the former underground storage tank (UST) at the Corporation Yard to further delineate the extent of the ground water plume. Having spoken to Mr. Laduzinsky on April 23, 1993, he had the proposed area for the additional monitoring well checked for utilities. Mr. Laduzinsky stated that this area was determined to be clear of utilities. Additionally, he stated that the city would also have no problem with the temporary closure of one of the lanes on Seminary Avenue in order to install this well.

It appears that a monitoring well can now be installed. You are required to submit a work plan, within 45 days of the date of this letter, addressing the installation of an additional monitoring well downgradient of the former UST.

If you have any questions or comments, please contact me at (510) 271-4530.

Sincerely,

A handwritten signature in cursive script, appearing to read "Juliet Shin".

Juliet Shin
Hazardous Materials Specialist

cc: Richard Hiatt, RWQCB

Mr. David Johnson
Re: 5000 MacArthur Blvd.
April 23, 1993
Page 2 of 2

Thomas Biddle
Mills College
5000 MacArthur Blvd.
Oakland, CA 94613

Dennis Laduzinsky
Harza Kaldveer
425 Roland Way
Oakland, CA 94621

Edgar Howell-File(JS)

12/20/93

ALAMEDA COUNTY, DEPARTMENT OF ENVIRONMENTAL HEALTH

80 Swan Way, #200
Oakland, CA 94621
(415) 271-4320

Hazardous Materials Division Inspection Form

Site ID# _____ Site Name Mills College Today's Date 1/8/93
 Site Address 5000 MacArthur Blvd. EPA ID# _____
 City Oakland Zip 94619 Phone _____

MAX Amt. Stored > 500lbs/55g/200cf? Y N
 Hazardous Waste generated per month? _____

Inspection Categories:

- I. Haz. Mat/Waste GENERATOR/TRANSPORTER
- II. Business Plans, Acute Hazardous Materials
- III. Underground Tanks

The marked items represent violations of the Calif. Administration Code (CAC) or the Health & Safety Code (HS&C)

LA GENERATOR (Title 22)

- | | | |
|-------|-----------------------------|---------|
| ___ | 1. Waste ID | * 66471 |
| ___ | 2. EPA ID | 66472 |
| ___ | 3. > 90 days | 66508 |
| ___ | 4. Label dates | 66508 |
| ___ | 5. Biennial | 66493 |
| <hr/> | | |
| ___ | 6. Records | 66492 |
| ___ | 7. Correct | 66484 |
| ___ | 8. Copy sent | 66492 |
| ___ | 9. Exception | 66484 |
| ___ | 10. Copies Rec'd | 66492 |
| <hr/> | | |
| ___ | 11. Treatment | 66371 |
| ___ | 12. On-site Disp. (H.S.&C.) | 26189.5 |
| ___ | 13. Ex Haz. Waste | 66570 |
| <hr/> | | |
| ___ | 14. Communications | 67121 |
| ___ | 15. Aisle Space | 67124 |
| ___ | 16. Local Authority | 67126 |
| ___ | 17. Maintenance | 67120 |
| ___ | 18. Training | 67105 |
| <hr/> | | |
| ___ | 19. Prepared | 67140 |
| ___ | 20. Name List | 67141 |
| ___ | 21. Copies | 67141 |
| ___ | 22. Emg. Coord. Trng. | 67144 |
| <hr/> | | |
| ___ | 23. Condition | 67241 |
| ___ | 24. Compatibility | 67242 |
| ___ | 25. Maintenance | 67243 |
| ___ | 26. Inspection | 67244 |
| ___ | 27. Buffer Zone | 67246 |
| ___ | 28. Tank Inspection | 67259 |
| ___ | 29. Containment | 67245 |
| ___ | 30. Safe Storage | 67261 |
| ___ | 31. Freeboard | 67257 |

Comments:

** Meeting at Mills College*

- Will call USA to come out to check where utilities are

- Get blueprint & determine exact downgradient location

- Find out whether they can even get an encroachment permit.

*(Note: Check w/ State as to status of funding for Mills College).
 Look into other sources of funding.*

*Attended By: Thomas Biddle, Mills College
 David Johnson, Mills College
 Dennis Laduzensky, Kaldor
 Juliet Shin, ACDEM*

- Mr. Laduzensky will get back to County after looking into above bullets.

LB TRANSPORTER (Title 22)

- | | | |
|-------|---------------------------|-------|
| ___ | 32. Applic./Insurance | 66428 |
| ___ | 33. Comp. Cert./CHP Insp. | 66448 |
| ___ | 34. Containers | 66465 |
| <hr/> | | |
| ___ | 35. Vehicles | 66465 |
| ___ | 36. EPA ID #s | 66531 |
| ___ | 37. Correct | 66541 |
| ___ | 38. HW Delivery | 66543 |
| ___ | 39. Records | 66544 |
| <hr/> | | |
| ___ | 40. Name/ Covers | 66545 |
| ___ | 41. Recyclables | 66800 |

Rev 6/88

Contact: _____
 Title: _____
 Signature: _____

Inspector: Juliet Shin
 Signature: _____

Mills College
5000 MacArthur Boulevard
Oakland, California 94613

MILLS

December 14, 1992

Juliet Shin
Hazardous Materials Specialist
Alameda County Department of Environmental Health
80 Swan Way, Rm. 200
Oakland, CA 94621

Dear Ms. Shin:

Enclosed are the two latest ground water sampling reports for the Mills Hall/Toyon Meadow and Corporation Yard sites on the Mills College campus. We would like to set up a time in early January when we could meet with you and Dennis Laduzinsky of Harza Kaldveer with regarding the status of these projects.

I will be calling you in the next few days to schedule a time for this meeting.

Sincerely,

Tom Biddle

Tom Biddle
Campus Facilities
Mills College

*Reviewed files. 12/23
Should place one well
d.g. of MW-1 & possibly
some grab g.w. samples
upgradient of MW-2 &
to the side of MW-3 to
determine if higher
conc. ? for
Corporation Yard.
Continued monitoring
for other sites.*

cc: Dave Johnson, Mills College
Richard Hiatt, Regional Water Control Board

Contact Log

10/27/92

DATE: ~~10/27/92~~

FROM: Dave Johnson (510) 430-2146

DEPT: Mills College

TO: Juliet Shin

DEPT: _____

Phone: _____

RE: Mills College, 5000 MacArthur Blvd.

Mr. Johnson stated that he received the letter from the County, and that groundwater sampling and the preparation of a sampling report were recently completed. Kaldweier, consultants to Mills College, is submitting a draft report to Mills College at the end of the month, and shortly after, a completed report should be submitted to the County. Mr. Johnson mentioned that they've been conducting semi-annual monitoring ever since a request they made through a letter.

Mr. Johnson requested that Ms. Shin come out to the site for a reconnaissance, soon after receiving the results of the next quarterly report. Mr. Johnson stated that the canopy monitoring cannot be conducted through the canopy and that excavation cannot occur due to old Victorian building in the way. Ms. Shin stated that maybe long term monitoring will be required.

From: Julius Shin

11/30/92

To: Dave Johnson, site contact (510) 930-2146

RE: Mills College

Asked when Kaldwens would be finished w/ monitoring report for Corporation Yard Facility. Mr. Shin stated that it appears to be okay to continue w/ semi-annual monitoring.

Mr. Johnson stated that he would arrange for a meeting and site reconnaissance w/ the County, Kaldwens, and himself & get back to me.

(Should probably install our well on other side of canopy on Serrano Ave, ~100 feet away).

Left message for Dave Johnson re: meeting, 12/15/92

ALAMEDA COUNTY
HEALTH CARE SERVICES
AGENCY

DAVID J. KEARS, Agency Director



RAFAT A. SHAHID, ASST. AGENCY DIRECTOR

DEPARTMENT OF ENVIRONMENTAL HEALTH
State Water Resources Control Board
Division of Clean Water Programs
UST Local Oversight Program
80 Swan Way, Rm 200
Oakland, CA 94621
(510) 271-4530

October 22, 1992

David Johnson
Mills College
5000 Macarthur Blvd.
Oakland, CA 94613

STID 3221

RE: Investigations at 5000 Macarthur Blvd., Oakland, California

Dear Mr. Johnson,

The case file for this site has recently been transferred to another Hazardous Materials Specialist, Juliet Shin.

According to this Department's files, only two underground storage tanks (USTs), one 1,000-gallon gasoline tank and one 500-gallon diesel tank, were removed from the above site in the past. Both soil and ground water investigations have been conducted at both of these tank sites.

There are three monitoring wells at the 1,000-gallon UST tank site. According to our files, these wells have only been sampled twice, once in June 1989 and once in December 1990. In both sampling events, high levels of TPHg (up to 11,000 ppb) and benzene (up to 2,100 ppb) were identified in the ground water samples collected from Well MW-1. Since December 1990, it appears that no ground water samples have been collected from these wells. **Quarterly** ground water sampling and analysis is required by RWQCB's guidelines. You are required to conduct ground water sampling of the three wells at the site and submit a report to this office **within 45 days** of the receipt of this letter. Please be advised that this is a formal request for technical reports pursuant to **California Water Code Section 13267 (b)**. Any extensions of the stated deadlines, or modifications of the required tasks, must be confirmed in writing by either this agency or RWQCB.

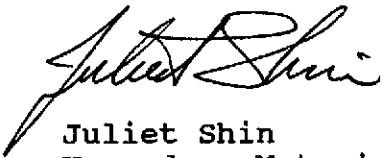
Additionally, it appears that the ground water contaminant plume is migrating under the canopy at the site. After two additional ground water sampling events and water level measurements, you may be required to submit a work plan to this office addressing further delineation of the plume.

Mr. Dave Johnson
RE: 5000 MacArthur Blvd.
October 22, 1992
Page 2 of 2

This office has received and reviewed the ground water and soil investigation report, dated April 16, 1992, for the 500-gallon UST site. Extensive diesel-contaminated soil, up to 11,000 ppm diesel, has been identified at the capillary fringe, in addition to the ground water contamination (3,200 ppm TPHg) identified in Well MW-2. Although the ground water contaminant plume does not appear to be migrating beyond Well MW-1, regular **quarterly** ground water monitoring and water level measurements will have to be conducted at this time.

If you have any questions or comments, please contact me at (510) 271-4530.

Sincerely,



Juliet Shin
Hazardous Materials Specialist

cc: Richard Hiett, RWQCB

Dennis Laduzinsky
Kaldveer Associates
425 Roland Way
Oakland, CA 94621

Edgar Howell-File(JS)

Mills College
5000 MacArthur Boulevard
Oakland, California 94613

92 JUN -5 PM 3: 23

MILLS

June 2, 1992

Paul Smith
Hazardous Materials Specialist
Alameda County Health Agency
Division of Hazardous Materials
Department of Environmental Health
80 Swan Way, Rm. 200
Oakland, CA 94621

STID 3221

Dear Mr. Smith:

I have enclosed copies of the latest soil and ground water sampling reports for the Corporation Yard and Mills Hall/Toyon Meadow sites on the Mills College campus. I have also forwarded copies of these reports to the California Regional Water Quality Control Board.

If you have any questions after reviewing these reports, feel free to contact me at (510) 430-2146 or Dennis Laduzinsky at Kaldveer Associates.

Sincerely,

Thomas F. Biddle

Thomas F. Biddle
Assistant Director of Campus Facilities
Mills College

cc: Dennis Laduzinsky, Kaldaveer Associates

enc: Ground Water Sampling Report June 1991 and March 1992 for the Mills College Corporation Yard

Soil and Ground Water Quality Investigation for Mills Hall/Toyon Meadow

Mills College RP.1
David Johnson
5000 MacArthur

DATE:

TO : Local Oversight Program

FROM: Ewuch

SUBJ: Transfer of Eligible Oversight Case

Cont.

Diesel 12034

Waste oil 12035

Site name: Mills College

Address: 5000 MacArthur Blvd city Dak zip 94613

Closure plan attached? Y N DepRef remaining \$ 192.75

DepRef Project # 260 STID #(if any) 3221

Number of Tanks: _____ removed? Y N Date of removal Oct 88
June 89

Leak Report filed? Y N Date of Discovery 10-88

Samples received? Y N Contamination: Soil, water

Petroleum Y N Types: Avgas Jet leaded unleaded Diesel
fuel oil waste oil kerosene solvents

Monitoring wells on site 3 Monitoring schedule? Y? N last report 5/91

Briefly describe the following:

Preliminary Assessment water contamination in MW 1 - down gradient

Remedial Action Soil Removed.

Post Remedial Action Monitoring _____

Enforcement Action _____

Comments:

- Diesel tank removal by Mills Ketchen - Corporation yd
- Need Unauthorize Release form
- MW 1 still shows high contamination (12-20-90 sampled)
- Need kly monitoring reports of GW

Followup on creek contamination needed



DEFINITIONS

Hazardous Substances. Any substance listed in Section 6382 of the Labor Code or in Section 25316 of the Health and Safety Code. This includes: gasoline, diesel fuel, all industrial solvents, pesticides, herbicides and fumigants. If the material must be carried by a registered hauler, disposed of at a hazardous waste site, is explosive, generates pressure due to heat or decomposition or would harm humans or wildlife; it is considered a hazardous substance.

Underground Storage Tank. Means any one or combination of tanks, including pipes connected thereto, which is used for the storage of hazardous substances and which is substantially or totally beneath the surface of the ground.

Enabling Laws and Regulations.

- Health and Safety Code, Division 20, Chapters 6-7, pertaining to "Hazardous Substances: Underground Storage".
- California Administrative Code, Title 23, Chapter 3, Subchapter 16, "Underground Tank Regulations".
- Health and Safety Code, Division 20, Chapter 6.5, "Hazardous Waste Control Act".
- California Administrative Code, Title 22, Division 4, Chapter 30, "Minimum Standards for the Management of Hazardous and Extremely Hazardous Waste".
- The Resource Conservation and Recovery Act, Public Law 94-580 and its amendments, and its enabling regulations.
- Health and Safety Code, Section 25960, pertaining to Occupational Health Services.
- California Administrative Code, Title 17, Sections 1276-1306 pertaining to Occupational Health Services.
- Alameda County Ordinance Code, Title 3, Chapter 6, Article 11.

Safety Plan for the Removal and Replacement
of a Gasoline Tank From the Mills College
Campus, Oakland, California

Scope

This safety plan covers the excavation, removal, and replacement of a 1,000 gallon gasoline tank from the Mills College Campus, 5000 McArthur Blvd., Oakland, California.

Emergency Phone Numbers

Fire	911
Police	911
Ambulance	911
Highland Hospital	(415) 534-8055
Campus security (first aid)	(415) 430-2204
Site phone (Mills College)	(415) 430-2255

Emergency Procedures

In the event of an injury or exposure, the affected personnel shall be given first aid immediately and taken to Highland Hospital at 1411 E. 31st St. in Oakland. First aid assistance is available through campus security.

The attached map shows the route to the hospital. Injured personnel shall be transported either by ambulance or by private vehicle, depending on the nature and extent of the injury

Site Safety Officer

Mr. Dale Doshack of Pearson Equipment shall be responsible for safety on this site. Alternate Safety Person Jack Bail.

Work Plan

The tank will be pumped dry and at least forty (40) lbs. of dry ice will be placed in the tank to displace the oxygen at least two hours before the excavation begins.

A backhoe will excavate the three foot layer of soil covering the top of the tank. A chain will then be hooked to the eyelet at the top of the tank. The backhoe will then remove the rest of the soil around the tank lift the tank out of the excavation via the chain that was attached to the top of the tank.

The tank will be visually inspected then hauled away by H & H Ship services.

Two (2) samples will be taken of the soil that was formerly under the tank using the scoop of the backhoe.

If the tank has not leaked and there is no significant contamination after excavating the additional five (5) feet of soil needed to install the new tank, the new tank will be placed in the excavation on a 12 inch bed of sand and backfilled to the top of the tank. The excavation will be closed when the soil samples have confirmed the absence of contamination. In the interim, the excavation will be fenced.

If the contaminated soil cannot be completely removed from the excavation, the excavation will be fenced to await remediation. The new tank will be installed in a different location.

Safety Precautions

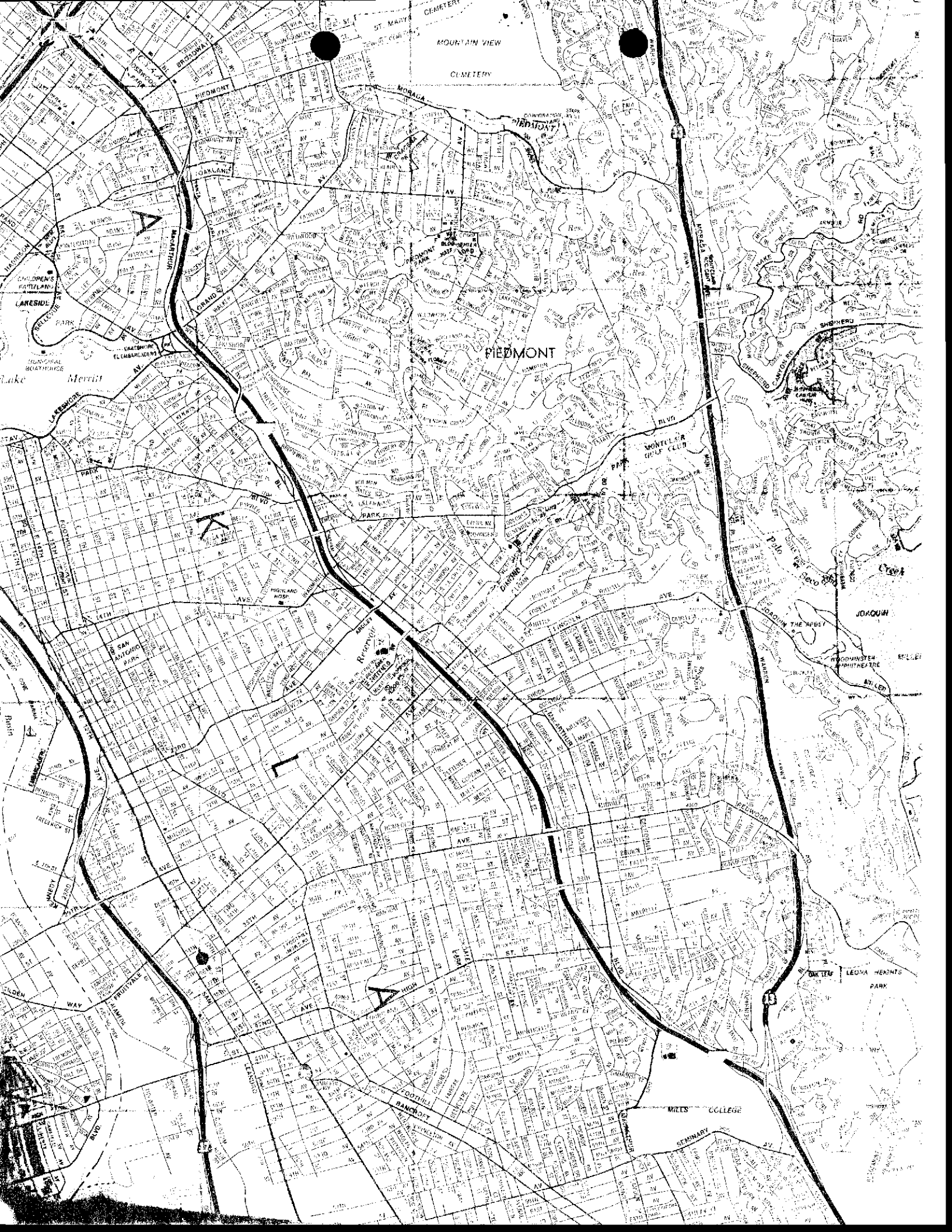
1. Safety shoes and hard hats will be worn on site.
2. Safety glasses will be worn by all personnel during jackhammering operations.
3. At no point shall anyone enter the excavation except to attach the removal chain to the tank. This operation will be done at a maximum excavation depth of three feet and will be done before the soil surrounding the bottom and sides of the tank have been removed.

Respiratory protection and/or testing the excavation with a flammable gas meter will not be required for entry into this shallow excavation because:

- a. the excavation will be wide and shallow at this point so it will not constitute a confined space
- b. the soils below the top of the tank where the gasoline would have leaked to have not been disturbed
- c. the tank inventory records do not show loss of product that would indicate a major leak. The properties of the soils surrounding the tank would make a leak quite noticeable in the product inventory records.

If gasoline vapors are noticed at this shallow depth, there is probably a major problem and tank excavation will be halted to provide time to develop a strategy for dealing with the contaminated soil and for protecting the excavators from high levels of gasoline vapors are likely to encounter during excavation of highly contaminated soil.

4. If contaminated soil is encountered, personnel shall position themselves upwind from the excavation whenever possible. Piles of contaminated soil shall be positioned downwind from excavation personnel.
5. Any open excavations will be fenced.
6. At least forty (40) pounds of dry ice will be introduced into the tank to displace the oxygen at least two hours before removal.



WATER RESOURCES CONTROL BOARD
DIVISION OF WATER QUALITY - UST CLEANUP PROGRAM
SITE SPECIFIC QUARTERLY REPORT
01/01/92 THROUGH 03/31/92

AGENCY # : 10000 SOURCE OF FUNDS: F SUBSTANCE: 12035
StID : 3221
SITE NAME: Mills College DATE REPORTED : 10/01/88
ADDRESS : 5000 Macarthur Blvd. DATE CONFIRMED:
CITY/ZIP : Oakland 94619 MULTIPLE RPs : N

SITE STATUS

CASE TYPE: G	CONTRACT STATUS: 3	EMERGENCY RESP:
RP SEARCH: S		DATE COMPLETED: 03/09/92
PRELIMINARY ASMNT: U	DATE UNDERWAY: 03/03/89	DATE COMPLETED:
REM INVESTIGATION:	DATE UNDERWAY:	DATE COMPLETED:
REMEDIAL ACTION:	DATE UNDERWAY:	DATE COMPLETED:
POST REMED ACT MON:	DATE UNDERWAY:	DATE COMPLETED:

ENFORCEMENT ACTION TYPE: 1 DATE ENFORCEMENT ACTION TAKEN: 03/09/92
LUFT FIELD MANUAL CONSID: 3, HSCAWG
CASE CLOSED: DATE CASE CLOSED:
DATE EXCAVATION STARTED : 07/24/89 REMEDIAL ACTIONS TAKEN: ET

RESPONSIBLE PARTY INFORMATION

RP#1-CONTACT NAME: David Johnson
COMPANY NAME: Mills College
ADDRESS: 5000 Macarthur Blvd
CITY/STATE: Oakland, C A 94613

Possible methods for remediation prepared by Dennis Lohmeyer, Kalden Ass.

Alternative	Regulatory Position	Long-Term Liability	Advantage	Disadvantage	Time Frame	Estimated costs
① off-site Disposal	Acceptable	Minimal liability as a generator of waste sent to landfill	Easy to implement	Does not address ground water contamination	4-6 weeks	
② Excavation, treatment and onsite disposal	may be opposition to reuse of treated soil	uncertain	cost savings over offsite disposal	Does not address ground water contamination	4-6 weeks for excavation, 6-8 months for treatment.	
③ Steam injection, recovery and treatment	requires variance from DHS	minimal	can be implemented later, allowing completion of project by September	unproven technology	1-2 years?	
④ Insitu Bioremediation	requires variance from DHS	unknown	as for steam injection	uncertain technology	1-2 years?	
⑤ Leave in place, monitor groundwater	probable regulatory opposition	maintain strict liability for contaminated groundwater	Easy to implement	Clean-up may be mandated later.	ongoing	
⑥ extraction/treatment of groundwater (similar to #3)				##		

MILLS

May 13, 1991

91 MAY 16 AM 11:17

Paul M. Smith
Hazardous Materials Specialist
Alameda County Health Agency
Division of Hazardous Materials
Department of Environmental Health

Dear Mr. Smith:

I have enclosed 3 copies of a work plan from Kaldaveer Associates to continue our soil and ground water sampling program at Toyon Meadow on the Mills College campus. We plan on proceeding with these investigations beginning on May 22, 1991.

In addition, I have enclosed the latest soil and ground water testing report for the Mills College Corporation Yard. If you have any questions or require more information on this report or the Toyon Meadow work plan, do not hesitate to give me a call at 430-2146.

Sincerely,

D. Johnson

David Johnson
Director of Campus Facilities

cc: Lester Feldman, Regional Water Quality Control Board (1 copy of each)

Enc: Work Plan for Mills Hall/Toyon Meadow (3 copies)
Soil and Ground Water Testing Report for Corporation Yard (3 copies)

COLLEGE

Handy 11/1/91 - 1/1/92

CROSBY, HEAFEY, ROACH & MAY

PROFESSIONAL CORPORATION

ATTORNEYS AT LAW

1999 HARRISON STREET

OAKLAND, CALIFORNIA 94612-3573

(415) 763-2000

FAX (415) 273-8832

700 SOUTH FLOWER STREET, SUITE 2400

LOS ANGELES, CALIFORNIA 90017

(213) 628-6733

FAX (213) 688-7583

91 APP-2
553 BUSH STREET, SUITE 2580
SAN FRANCISCO, CALIFORNIA 94104-2899
(415) 543-8700
FAX (415) 391-8289

March 29, 1991

Mr. Paul M. Smith
Hazardous Materials Specialist
Alameda County
Health Care Services Agency
Department of Environmental Health
Hazardous Materials Program
80 Swan Way, Room 200
Oakland, CA 94621

Re: Mills College Corporation Yard, Toyon
Meadow, and MacArthur Creek Sites

Dear Paul:

This letter will outline the College's plans for each of these sites. In a follow-up letter, Dennis Laduzinsky of Kaldveer will provide technical specifications for the proposed work at the corporation yard and Toyon Meadow.

Corporation Yard

Kaldveer prepared a draft soil and groundwater investigation report in July, 1989. Kaldveer will finalize that report for submittal to your Department and the Regional Water Quality Control Board. The College performed a second round of groundwater sampling on December 20, 1990, and Dennis provided you the results at the meeting on January 17, 1991. This latest sampling round indicated 2.5 ppm of hydrocarbons as gasoline in the downgradient well, and 0.05 ppm gasoline in one of the other two wells.

For further work, the College proposes three additional rounds of groundwater sampling to be performed semiannually. As we discussed, this program will provide the County with the results of

CROSBY, HEAFEY, ROACH & MAY
PROFESSIONAL CORPORATION

Mr. Paul M. Smith
March 29, 1991
Page 2

four sampling intervals over two years, which should be more representative of groundwater conditions than four consecutive quarters of sampling. From the College's perspective, this program will help spread out the substantial costs of this work.

Toyon Meadow

As you know, two phases of soil excavation have already been performed at this site, along with soil borings and installation of one monitoring well. In accordance with the County's suggestion at the January 17 meeting, the College now proposes to install two additional groundwater monitoring wells. One well will be installed near the former tank, and the other between the tank and Aliso Creek. Surface samples will be collected from the Creek, along with soil samples from drilling of the monitoring wells.

The College proposes to undertake the work this Summer, after commencement and other activities on this part of the campus are completed. As with the corporation yard, the College proposes to perform four rounds of groundwater sampling, on a semiannual basis, for each of the three wells. Again, Dennis will provide a technical description for this work. The soil and groundwater sampling should provide the additional information needed concerning lateral and vertical extent of hydrocarbon contamination.

MacArthur Creek

A sheen of oil was discovered on July 19, 1990, in the pond below the storm-drain outfall at MacArthur Creek. The College notified your Department and several City agencies. The oil was apparently dumped into the City storm sewer system off the campus and flowed onto the campus through the culvert on the City's easement. That easement terminates at the

CROSBY, HEAFEY, ROACH & MAY
PROFESSIONAL CORPORATION

Mr. Paul M. Smith
March 29, 1991
Page 3

outfall. Several witnesses observed oil flowing out of the City's culvert and into the pond.

In these circumstances, we believe the College is not responsible for the discharge of oil. As you know, the College nevertheless performed emergency cleanup by using absorbent pads to soak up oil on the pond surface. It has now been several months since the oil was removed from the water, and it is our view that any oil residues remaining on the pond rim will be at low levels and non-hazardous.

The College therefore proposes to leave the soil in place. The College also intends to file a claim with the City for the costs incurred to date. The City contends that it is not responsible for any illegal dumping of oil into its storm sewer system, but as between the City and the College, the City has a better opportunity to prevent and monitor such discharges. The County should therefore look to the City for any further action with regard to this problem.

After you receive Dennis' more detailed descriptions of work at the corporation yard and Toyon Meadow, please let Dave Johnson know whether the College's proposals are acceptable. Of course, feel free to call me in the meanwhile to discuss any of these matters. Dave Johnson will continue to represent the College, and you can copy me with any correspondence. Thanks for your assistance in these matters.

Very truly yours,



Randall D. Morrison

RDM:ma

cc Donnell

Give old Street Mr. Donnell's name

Rob. Root
Linda Triche

Ed. Squire
Linda Triche

1-17-91

Paul:

In the site of the old diesel spill, Mills is going to attempt to leave in place the contamination after they define the lateral extent of the contamination. The contamination appears to be at a depth between 12'-15' ft. I informed them they have to present their arguments to RWQCB. They gave me a copy of the report dated 1-17-91 that I placed in IS folder.

Soil borings show
pump & treat option #20

15' ft water table

ALAMEDA COUNTY
HEALTH CARE SERVICES

AGENCY
DAVID J. KEARS, Agency Director



DEPARTMENT OF ENVIRONMENTAL HEALTH
Hazardous Materials Program
80 Swan Way, Rm. 200
Oakland, CA 94621
(415)

December 26, 1990

Mr. David Johnson
Director of Campus Facilities
Mills College
5000 MacArthur Blvd.
Oakland, CA 94619

****** Notice of Violation ******

RE: Site Remediation at three locations on the Mills College Facility

- 1) **Waste oil release into Seminary Creek**
- 2) **Mills Kitchen Tank Removal / Toyon Meadow**
- 3) **S.E.I.T. Corporation Yard**

Dear Mr. Johnson:

This letter is an inquiry as to the disposition of the site cleanup effort at each of the above locations on the Mills College facility.

Waste Oil release into Seminary Creek

On August 7, 1990 an inspection by Barney Chan was conducted of seminary creek, within the bounds of the College, where a considerable amount of waste oil had been discharged into Seminary Creek. The department requested, a plan of correction addressing the removal and cleanup of the oil from the creek, by August 18, 1990.

To date, this office has yet to receive a response. You are again requested to submit documentation addressing the remedial efforts which have been or will be undertaken regarding the contamination which occurred in Seminary Creek.

Mills Kitchen Tank Removal / Toyon Meadow

On July 13, 1989 representatives of Mills College met with Alameda County Hazardous Materials Division regarding the contamination associated with the underground storage tank. It was agreed at that time that over excavation would occur to address the contamination at this former diesel tank site. A subsequent workplan submitted to this office by Kaldveer Associates, dated July 14, 1989, outlined a plan to over excavate diesel contaminated soil and to sample to confirm that the source of the contamination had been adequately removed.

Mr. David Johnson
December 24, 1990
Page 2 of 2

This office has yet to be contacted re: the status of the cleanup effort and disposition of the excavation at the above site.

SEIT Corporation Yard

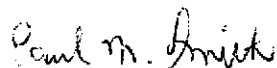
The work plan for the corp. yard dated March 3, 1989 that was submitted by your consultant was approved in a letter from this office in a letter dated April 26th, 1989. In a meeting with this office on July 7, 1989 it was verbally communicated by your representative that eight soil borings, and three monitoring wells would be installed. Since that meeting no information such as laboratory analysis, groundwater gradient information or quarterly monitoring reports have been received by this department. In a letter to Mills College dated August 8, 1990, this office requested an update of the progress made at this and also the Toyon Meadow sites. To date no documentation has been made available to this office confirming the investigation effort at these sites.

In a telephone conversation with you last week, it was agreed that a meeting would take place early in the month of January 1991, to discuss the status of all sites under environmental cleanup at Mills. I will be out of the office from January 2 through the 9th, 1991. Barring any scheduling conflicts, I am willing to meet with you at any time following that date. Please call to arrange such a meeting at your earliest convenience.

Due to recent re-districting Barney Chan will no longer be overseeing the environmental remediation efforts at Mills College, therefore, any further correspondence with regard to this site should now be directed to myself.

If you have any questions, or wish to call to schedule an appointment, please contact me at 271-4320.

Sincerely,



Paul M. Smith
Hazardous Materials Specialist

cc:

Dennis Laduzinsky/David Hoexter, Kaldveer & Associates
Gil Jensen, Alameda County District Attorney's Office of
Consumer and Environmental Affairs Office
Lester Feldman, RWQCB
Howard Hatayama, DHS
Rafat A. Shahid, Asst. Agency Director, Alameda County
Environmental Health Department

Files

2L

MILLS COLLEGE

5000
MacArthur
Boulevard
Oakland
California
94613 1399

90 OCT -4 PM 3: 09

9/20/90

Hazardous Materials Specialists
Alameda County Health Care Services
Dept. of Environmental Health
80 Swan Way Room 200
Oakland, Ca. 94621

Attn: Paul Smith

RE: Mills College memos Aug 8, 1990
Remediation update of SEIT Corp. Yard
Mills Kitchen tank removal/Toyon Meadow contamination area.


Dear Mr. Smith:

This is to clarify our telephone conversation of 8/20/90. Any correspondence concerning these projects should be addressed to Campus Facilities Director. John North is no longer working at Mills College.

We are reviewing your request for information with Dennis Laduzinsky at Kaldveer Assoc. and other consulting engineers. Mills College students are returning this month and our staff is already working overtime to prepare the residence halls and classrooms. I will call to set up an appointment for mid October 1990.

If you have any questions, please call at 430-2146. We look forward to working with your office.

Sincerely,



David Johnson
Director of Campus Facilities

cc: Gil Jensen
Lester Feldman
Charlene Williams
Dennis Laduzinsky - Kaldveer Assoc.
M. Rothman - Mills College Vice President and Treasurer
R. Perez - Mills College - Landscape Director

encl. 8/8/90 letters

white -env.health
 yellow -facility
 pink -files

ALAMEDA COUNTY, DEPARTMENT OF ENVIRONMENTAL HEALTH

80 Swan Way, #200
 Oakland, CA 94621
 (415) 271-4320

Hazardous Materials Division Inspection Form

Site ID# _____ Site Name Mills College Today's Date 8/23/90
 Site Address Creek Adjacent to MacArthur Blvd EPA ID# _____
 City _____ Zip 94613 Phone 430-2146

MAX Amt. Stored > 500lbs/55g/200cf? Y N
 Hazardous Waste generated per month? _____

Inspection Categories:

- I. Haz. Mat/Waste GENERATOR/TRANSPORTER
- II. Business Plans, Acute Hazardous Materials
- III. Underground Tanks

The marked items represent violations of the Calif. Administration Code (CAC) or the Health & Safety Code (HS&C)

LA GENERATOR (Title 22)

- | | | |
|-------------------|-----------------------------|---------|
| Manifest | 1. Waste ID | 66471 |
| | 2. EPA ID | 66472 |
| | 3. > 90 days | 66508 |
| | 4. Label dates | 66508 |
| | 5. Biennial | 66493 |
| | 6. Records | 66492 |
| | 7. Correct | 66484 |
| | 8. Copy sent | 66492 |
| | 9. Exception | 66484 |
| | 10. Copies Rec'd | 66492 |
| Misc. | 11. Treatment | 66371 |
| | 12. On-site Disp. (H.S.&C.) | 26189.5 |
| | 13. Ex Haz. Waste | 66570 |
| Prevention | 14. Communications | 67121 |
| | 15. Aisle Space | 67124 |
| | 16. Local Authority | 67126 |
| | 17. Maintenance | 67120 |
| | 18. Training | 67105 |
| Confin. Agency | 19. Prepared | 67140 |
| | 20. Name List | 67141 |
| | 21. Copies | 67141 |
| | 22. Emg. Coord. Trng. | 67144 |
| Containers, Tanks | 23. Condition | 67241 |
| | 24. Compatibility | 67242 |
| | 25. Maintenance | 67243 |
| | 26. Inspection | 67244 |
| | 27. Buffer Zone | 67246 |
| | 28. Tank Inspection | 67259 |
| | 29. Containment | 67245 |
| | 30. Safe Storage | 67261 |
| | 31. Freeboard | 67257 |

Comments:

County's opinions are:
 ① The oil contamination can be cleaned up w/ absorbant pads + booms.
 ② The soil on the shoreline should be excavated to < 1000 ppm TOC as verified by certified analytical laboratory.
 ③ All oil contaminated materials + soil must be disposed under manifest
 ④ The above items are the minimal requirements and any other changes must be approved in writing by Ala Cty Haz Mat Division.

LB TRANSPORTER (Title 22)

- | | | |
|----------|---------------------------|-------|
| Manifest | 32. Applic./Insurance | 66428 |
| | 33. Comp. Cert./CHP Insp. | 66448 |
| | 34. Containers | 66465 |
| | 35. Vehicles | 66465 |
| | 36. EPA ID #s | 66531 |
| | 37. Correct | 66541 |
| | 38. HW Delivery | 66543 |
| | 39. Records | 66544 |
| Contra | 40. Name/ Covers | 66545 |
| | 41. Recyclables | 66800 |

Mills College is seeking advice of a consultant which may affect the actual remedial process + actions, though agreement of all parties (County, consultant + Mills College) ^{MUST} be had.

Rev 6/88

Contact: David Johnson
 Title: Director of Campus Facilities Inspector: BARNEY CHAN
 Signature: [Signature] Signature: _____

white -env.health
yellow -facility
pink -files

ALAMEDA COUNTY, DEPARTMENT OF ENVIRONMENTAL HEALTH

80 Swan Way, #200
Oakland, CA 94621
(415) 271-4320

Hazardous Materials Division Inspection Form

Site ID# _____ Site Name Mills College Corp. yard Today's Date 8/22/90
 Site Address 5000 MacArthur Blvd EPA ID# CA C0700 884
 City Oak Zip 94613 Phone _____

MAX Amt. Stored > 500lbs/55g/200cf? Y N
 Hazardous Waste generated per month? _____

- Inspection Categories:**
- I. Haz. Mat/Waste GENERATOR/TRANSPORTER
 - II. Business Plans, Acute Hazardous Materials
 - III. Underground Tanks

The marked items represent violations of the Calif. Administration Code (CAC) or the Health & Safety Code (HS&C)

- IA GENERATOR (Title 22)**
- 1. Waste ID * 66471
 - 2. EPA ID 66472
 - 3. > 90 days 66508
 - 4. Label dates 66508
 - 5. Biennial 66493
-
- Manifest**
- 6. Records 66492
 - 7. Correct 66484
 - 8. Copy sent 66492
 - 9. Exception 66484
 - 10. Copies Rec'd 66492
-
- Misc.**
- 11. Treatment 66371
 - 12. On-site Disp. (H.S.&C.) 26189.5
 - 13. Ex Haz. Waste 66570
-
- Prevention**
- 14. Communications 67121
 - 15. Aisle Space 67124
 - 16. Local Authority 67126
 - 17. Maintenance 67120
 - 18. Training 67105
-
- Contingency**
- 19. Prepared 67140
 - 20. Name List 67141
 - 21. Copies 67141
 - 22. Emg. Coord. Trng. 67144
-
- Containers, Tanks**
- 23. Condition 67241
 - 24. Compatibility 67242
 - 25. Maintenance 67243
 - 26. Inspection 67244
 - 27. Buffer Zone 67246
 - 28. Tank Inspection 67259
 - 29. Containment 67245
 - 30. Safe Storage 67261
 - 31. Freeboard 67257

Comments:

Paint Shop has 2 - 55 gal drums of thinner plus several 5 gal cans

Small units of hydraulic fluid + auto grease

Paint is dried & disposed of through normal refuse - but scavenger

2 drums of solvent GW-325 used on campus paint shop

3 - 55 gal of diesel fuel

2 - 5 gal drums of waste oil label Hazardous Material a (waste oil) you have 90 days after drum is full to recycle / dispose of waste oil

Stored one (5 gal) antifreeze, approx 26 cs of motor oil + small amt of brake fluid

Kohles Garage + Havenscourt services the vehicle fleet

* Have waste oil recycled w/ today + rec'd receipt to our office.

- IB TRANSPORTER (Title 22)**
- 32. Applic./Insurance 66428
 - 33. Comp. Cert./CHP Insp. 66448
 - 34. Containers 66465
-
- Manifest**
- 35. Vehicles 66465
 - 36. EPA ID #s 66531
 - 37. Correct 66541
 - 38. HW Delivery 66543
 - 39. Records 66544
-
- Cont'n**
- 40. Name/ Covers 66545
 - 41. Recyclables 66800

Rev 6/88

Contact: David Johnson
 Title: Gen'l Mgr
 Signature: X

Inspector: BRONEY CHAN
 Signature: _____

ALAMEDA COUNTY
HEALTH CARE SERVICES

AGENCY

DAVID J. KEARS, Agency Director



*213 phone conv.
Dane Johnson*

August 8, 1990

DEPARTMENT OF ENVIRONMENTAL HEALTH
Hazardous Materials Program
80 Swan Way, Rm. 200
Oakland, CA 94621
(415)

~~Mr. John North~~
Mills College
5000 MacArthur Blvd.
Oakland, CA 94619

Dane Johnson (Fac. Director)

RE: Mills Kitchen Tank Removal / Toyon Meadow Contamination Area

Dear Mr. North:

This letter is in regard to the disposition of the site cleanup effort at the former kitchen area tank removal area within Mills College. You are requested to bring us up to date as to the current investigation and remediation occurring at this site.

I have recently taken over the review of this case from Larry Seto therefore any future correspondence regarding this case should come to my attention. You are requested to respond to this request for information relating to this site within 15 days of the receipt of this letter.

If you have any questions please contact at 271-4320.

Sincerely,

Paul M. Smith

Paul M. Smith
Hazardous Materials Specialist

cc:

Gil Jensen, Alameda County District Attorney Office of Consumer
and Environmental Protection
Lester Feldman, RWQCB
Charlene Williams, DHS
Dennis Laduzinsky & David Hoexter, Kaldveer & Associates
Files

8/20/90

Spoke w/

Dave Johnson

he requested an
extension to respond
to our request for info
on the status of the
cleanup effort at
the 2 sites at
mills. He said
we'd get something within
the next 3 weeks

ALAMEDA COUNTY
HEALTH CARE SERVICES

AGENCY

DAVID J. KEARS, Agency Director



August 8, 1990

DEPARTMENT OF ENVIRONMENTAL HEALTH
Hazardous Materials Program
80 Swan Way, Rm. 200
Oakland, CA 94621
(415)

~~Mr. John North~~
Mills College
5000 MacArthur Blvd.
Oakland, CA 94621

Dave Johnson Fac. Dir.

**RE: Remediation Update at the S.E.I.T. Corporation Yard,
Mills College**

Dear Mr. North:

This letter is in regard to the current status of the cleanup effort at the corporation yard fuel storage area within Mills College facility. You are requested to provide this office with a report of the results of an investigation proposed in a work plan from Kaldveer Associates dated March 3, 1989.

I have recently taken over this case from Larry Seto. Any correspondence regarding this site should now be sent to me. You are requested to respond to the request for information relating to this site within 15 days of the receipt of this letter.

If you have any questions please contact me at 271-4320.

Sincerely,

Paul M. Smith

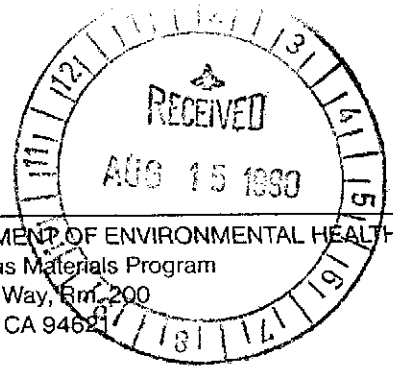
Paul M. Smith
Hazardous Materials Specialist

cc:

Gil Jensen, Alameda County District Attorney's Office of
Consumer and Environmental Affairs
Lester Feldman, RWQCB
Charlene Williams, DHS
Dennis Laduzinsky & David Hoexter, Kaldveer & Associates
Files

ALAMEDA COUNTY
HEALTH CARE SERVICES

AGENCY
DAVID J. KEARS, Agency Director



August 8, 1990

DEPARTMENT OF ENVIRONMENTAL HEALTH
Hazardous Materials Program
80 Swan Way, Rm. 200
Oakland, CA 94621
(415)

Mr. John North
Mills College
5000 MacArthur Blvd.
Oakland, CA 94621

**RE: Remediation Update at the S.E.I.T. Corporation Yard,
Mills College**

Dear Mr. North:

This letter is in regard to the current status of the cleanup effort at the corporation yard fuel storage area within Mills College facility. You are requested to provide this office with a report of the results of an investigation proposed in a work plan from Kaldveer Associates dated March 3, 1989.

I have recently taken over this case from Larry Seto. Any correspondence regarding this site should now be sent to me. You are requested to respond to the request for information relating to this site within 15 days of the receipt of this letter.

If you have any questions please contact me at 271-4320.

Sincerely,

Paul M. Smith

Paul M. Smith
Hazardous Materials Specialist

cc:

Gil Jensen, Alameda County District Attorney's Office of
Consumer and Environmental Affairs
Lester Feldman, RWQCB
Charlene Williams, DHS
Dennis Laduzinsky & David Hoexter, Kaldveer & Associates
Files

ALAMEDA COUNTY
HEALTH CARE SERVICES

AGENCY

DAVID J. KEARS, Agency Director



DEPARTMENT OF ENVIRONMENTAL HEALTH
Hazardous Materials Program
80 Swan Way, Rm. 200
Oakland, CA 94621
(415) 271-4320

Mr. Dave Johnson, Facilities Director
Mills College
5000 MacArthur Blvd.
Oakland, CA 94619

cc: Gil Jensen
Alameda County District Attorney's office of Consumer
and Environmental Protection
24405 Amador St.
Hayward, CA 94544

Lester Feldman
Regional Water Quality Control Board
1800 Harrison St., Suite 700
Oakland, CA 94612

Charlene Williams
California Department of Health Services
2151 Berkeley Way, Annex 7
Berkeley, CA 94704

Paul Smith
Hazardous Materials Specialist

PS:lp

white - lab
 yellow - insp. file
 pink - fac. file

ALAMEDA COUNTY HEALTH CARE SERVICES AGENCY
 DIVISION OF HAZARDOUS MATERIALS
 80 SWAN WAY, ROOM 200
 OAKLAND, CA 94621
 (415) 271-4320

LABORATORY SERVICE REQUEST

SITENAME Mills College
 ADDRESS 5000 MacArthur Blvd
 SAMPLE SUBMITTED TO: HOLD
 DATE SUBMITTED _____
 SEND INVOICE TO: _____

SEND ANALYTICAL REPORT TO ABOVE OR:

 ATTN: _____
 _____ RUSH = ABOUT 1 WEEK TURNAROUND
 _____ ROUTINE = ABOUT 2 WEEKS TURN-AROUND

SAMPLE NO.	DATE/TIME COLLECTED	TYPE OF MATERIAL (WATER, SOIL OR MATRX)	VOLUME/WEIGHT	FIELD OBSERVATION	ANALYSIS REQUESTED
BC 8/7/90-1	8/7/90 1130	liquid	802	oily sludge / water	TOG

Chain of Custody:

1.	<u>Barnes Char</u> Signature	<u>Har Mat Specialist</u> Title	<u>8/7/90 -</u> Inclusive Dates
2.	_____ Signature	_____ Title	_____ Inclusive Dates
3.	_____ Signature	_____ Title	_____ Inclusive Dates

white -env.health
 yellow -facility
 pink -files

ALAMEDA COUNTY, DEPARTMENT OF ENVIRONMENTAL HEALTH

80 Swan Way, #200
 Oakland, CA 94621
 (415) 271-4320

Hazardous Materials Division Inspection Form

Site ID# _____ Site Name Mills College Today's Date 8/17/90
 Site Address 5000 MacArthur Blvd EPA ID# _____
 City Oak Zip 94613 Phone _____

MAX Amt. Stored > 500lbs/55g/200cf? Y N
 Hazardous Waste generated per month? _____

- Inspection Categories:**
 I. Haz. Mat/Waste GENERATOR/TRANSPORTER
 II. Business Plans, Acute Hazardous Materials
 III. Underground Tanks

The marked items represent violations of the Calif. Administration Code (CAC) or the Health & Safety Code (HS&C)

- IA GENERATOR (Title 22)**
- ___ 1. Waste ID 66471
 - ___ 2. EPA ID 66472
 - ___ 3. > 90 days 66508
 - ___ 4. Label dates 66508
 - ___ 5. Biennial 66493
-
- Manifest**
- ___ 6. Records 66492
 - ___ 7. Correct 66484
 - ___ 8. Copy sent 66492
 - ___ 9. Exception 66484
 - ___ 10. Copies Rec'd 66492
-
- Misc.**
- ___ 11. Treatment 66371
 - ___ 12. On-site Disp. (H.S.&C.) 26189.5
 - ___ 13. Ex Haz. Waste 66570
-
- Prevention**
- ___ 14. Communications 67121
 - ___ 15. Aisle Space 67124
 - ___ 16. Local Authority 67126
 - ___ 17. Maintenance 67120
 - ___ 18. Training 67105
-
- Contn. Agency**
- ___ 19. Prepared 67140
 - ___ 20. Name List 67141
 - ___ 21. Copies 67141
 - ___ 22. Emg. Coord. Trng. 67144
-
- Containers, Tanks**
- ___ 23. Condition 67241
 - ___ 24. Compatibility 67242
 - ___ 25. Maintenance 67243
 - ___ 26. Inspection 67244
 - ___ 27. Buffer Zone 67246
 - ___ 28. Tank Inspection 67259
 - ___ 29. Containment 67245
 - ___ 30. Safe Storage 67261
 - ___ 31. Freeboard 67257

Comments:
 Responded to a complaint of oil in a creek on Mills College running parallel to MacArthur Blvd
 Met w/ Mr. Rich Perez, Director of Landscaping. He stated that Mr. Ken Lass, Public Works, was working on finding the source of potential leaks to the creek.
 Friday ~ 1/2 weeks ago they noticed ~ 7/27/90 Mr. David Johnson - Director of Campus Facilities contacted Ken Lass. He suggested they block any flow (Hay has been put at the end of the water.)
 - Caution tape will be put up to secure the area by Mills College
 Contact: Flood Control - any surface running Canals on Mills College, Fish & Game + RWQCB.
 (1) Left message w/ Jack Lindley Flood Control (2) Left message w/ Ray Balcom + Cliff Kayser RWQCB (3) F+G has been notified.
 Sample BE 8/7/90 - (taken from creek - see photo.
 July 20 - discovered by Mosquito Abatement
 July 30 - RWQCB was informed of spill

- IB TRANSPORTER (Title 22)**
- ___ 32. Applic./Insurance 66428
 - ___ 33. Comp. Cert./CHP Insp. 66448
 - ___ 34. Containers 66465
-
- Manifest**
- ___ 35. Vehicles 66465
 - ___ 36. EPA ID #s 66531
 - ___ 37. Correct 66541
 - ___ 38. HW Delivery 66543
 - ___ 39. Records 66544
-
- Cont'n**
- ___ 40. Name/ Covers 66545
 - ___ 41. Recyclables 66800

Rev 6/88

Contact: _____
 Title: _____ Inspector: _____
 Signature: _____ Signature: _____

white -env.health
 yellow -facility
 pink -files

ALAMEDA COUNTY, DEPARTMENT OF ENVIRONMENTAL HEALTH

80 Swan Way, #200
 Oakland, CA 94621
 (415) 271-4320

Hazardous Materials Division Inspection Form

Site ID# _____ Site Name Mills College Today's Date 8/22/90
 Site Address 5000 MacArthur Blvd EPA ID# _____
 City Oakland Zip 94613 Phone 430-2146

MAX Amt. Stored > 500lbs/55g/200cf? Y N
 Hazardous Waste generated per month? _____

- Inspection Categories:**
 I. Haz. Mat/Waste GENERATOR/TRANSPORTER
 II. Business Plans, Acute Hazardous Materials
 III. Underground Tanks

The marked items represent violations of the Calif. Administration Code (CAC) or the Health & Safety Code (HS&C)

- IA GENERATOR (Title 22)**
- Manifest
 - 1. Waste ID * 66471
 - 2. EPA ID 66472
 - 3. > 90 days 66508
 - 4. Label dates 66508
 - 5. Biennial 66493
 - 6. Records 66492
 - 7. Correct 66484
 - 8. Copy sent 66492
 - 9. Exception 66484
 - 10. Copies Rec'd 66492
 - Misc.
 - 11. Treatment 66371
 - 12. On-site Disp. (H.S.&C.) 26189.5
 - 13. Ex Haz. Waste 66570
 - Prevention
 - 14. Communications 67121
 - 15. Aisle Space 67124
 - 16. Local Authority 67126
 - 17. Maintenance 67120
 - 18. Training 67105
 - Confin. Agency
 - 19. Prepared 67140
 - 20. Name List 67141
 - 21. Copies 67141
 - 22. Emg. Coord. Trng. 67144
 - Containers, Tanks
 - 23. Condition 67241
 - 24. Compatibility 67242
 - 25. Maintenance 67243
 - 26. Inspection 67244
 - 27. Buffer Zone 67246
 - 28. Tank Inspection 67259
 - 29. Containment 67245
 - 30. Safe Storage 67261
 - 31. Freeboard 67257

Comments:
 Possible generation of haz waste in 2 departments: Life Science (Chemistry + Biology) + photographic + art dept
 Maintenance (corp) yard -
 Small area of waste flumer
 Oil changing & mechanical work is contracted out as is the pesticide + herbicide spraying.
 - I will coordinate w/ Mr Johnson to verify that the other depts are aware & handling any haz waste appropriately
 - Only item exceeding Business Plans is the the 5000 gal UG gasoline tank.

- IB TRANSPORTER (Title 22)**
- Manifest
 - 32. Applic./Insurance 66428
 - 33. Comp. Cert./CHP Insp. 66448
 - 34. Containers 66465
 - 35. Vehicles 66465
 - 36. EPA ID #s 66531
 - 37. Correct 66541
 - 38. HW Delivery 66543
 - 39. Records 66544
 - Contra
 - 40. Name/ Covers 66545
 - 41. Recyclables 66800

Rev 6/88

Contact: David Johnson
 Title: Director of Campus Facilities Inspector: Barney Chan
 Signature: X D. Johnson Signature: _____

**STATE
COMPENSATION
INSURANCE
FUND**

P.O. BOX 807, SAN FRANCISCO, CALIFORNIA 94101-0807

5/25/89

CERTIFICATE OF WORKERS' COMPENSATION INSURANCE

MAY 24, 1989

POLICY NUMBER: 708822-88
CERTIFICATE EXPIRES: 10/01/89

COUNTY OF ALAMEDA
HAZARDOUS MATERIALS DIVISION
80 SWAN WAY, ROOM 200
OAKLAND, CA 94621

JOB LOCATION: MILLS COLLEGE
5000 MACARTHUR BLVD.
OAKLAND, CA 94612

This is to certify that we have issued a valid Workers' Compensation insurance policy in a form approved by the California Insurance Commissioner to the employer named below for the policy period indicated.

This policy is not subject to cancellation by the Fund except upon ten days' advance written notice to the employer.

We will also give you TEN days' advance notice should this policy be cancelled prior to its normal expiration.

This certificate of insurance is not an insurance policy and does not amend, extend or alter the coverage afforded by the policies listed herein. Notwithstanding any requirement, term, or condition of any contract or other document with respect to which this certificate of insurance may be issued or may pertain, the insurance afforded by the policies described herein is subject to all the terms, exclusions and conditions of such policies.


PRESIDENT

EMPLOYER

HAIM BROTHERS, INC.
375 ARTHUR ROAD
MARTINEZ, CA 94553

July 20, 1990.

Alameda County Flood Control District
951 Turner Court
Hayward, Ca 94545.

Attn: Ken Lass

Re: Short Creek between MacArthur Blvd and Faculty Village at Mills College

A sheen of oil was observed today by John Rusmiser with the Alameda County Mosquito Abatement District. It is not from any known source at Mills College.

It occurred at the storm-drain outfall and appeared confined to the first pool. Bales of hay were placed at the bottom of the pool to prevent downstream movement.

We would welcome any help in locating the source and in oil absorbent pads to aid our inhouse clean-up.

Thanks for your help.
Sincerely,

D. Johnson
Director of Campus Facilities.

cc M. Rothman, Vice-President & Treasurer
R. Perez, Landscape Director

ALAMEDA COUNTY
HEALTH CARE SERVICES

AGENCY

DAVID J. KEARS, Agency Director



DEPARTMENT OF ENVIRONMENTAL HEALTH
Hazardous Materials Program
80 Swan Way, Rm. 200
Oakland, CA 94621
(415)

July 17, 1989

Mr. David Johnson
Director of Security
Mills College
5000 MacArthur Blvd.
Oakland, CA 94613

Dear Mr. Johnson:

We have received your work plan dated July 14, 1989, that was prepared by Kaldveer Associates for the additional soil excavation and backfilling in the former kitchen tank area at the above site. It has been accepted.

If you have any questions, please contact Larry Seto, Sr. Hazardous Materials Specialist, at 271-4320.

Sincerely,

Rafat A. Shahid, Chief,
Hazardous Materials Program

RAS:LS:mnc

cc: John North, Mills College
Howard Hatayama, DOHS
RWQCB
Gil Jensen, Alameda County District Attorney, Consumer and
Environmental Protection Agency
Larry Seto, Alameda County Hazardous Materials
Files

5000
MacArthur
Boulevard
Oakland
California
94613

MILLS

July 14, 1989

Mr. Lawrence Seto
Senior Hazardous Material Specialist
Dept. of Environmental Health
890 Swan Way, Room 200
Oakland, CA 94621


Dear Mr. Seto:

Please find attached the Geoscience Consultants Report by Mr. Dennis Laduzirsky from Kaldveer Associates and the proposed work plan to excavate the contaminated soil and to haul the material to an approved dump site by a licensed waste hauler.

The excavation will then be filled with pea gravel, imported fill and clean overburden material.

We trust this meets with your approval.

Sincerely,


John D. North
Contracts Administrator

enc.

COLLEGE

7/13/89

Meet with John North of Mills College,
Dennis Laduzinsky and David Hoexter of
Kaldveer Ass. concerning site remediation
in the old diesel tank pit. It was agreed
upon that Kaldveer Ass. will submit to
me within the next few days an
investigative plan since the lateral extent
of contamination has been determined. I agreed
to allow them to "lean out" the old diesel
tank pit of the contaminated soil, and back-fill
with lean fill after confirmatory samples
are taken and below 1,000 ppm TPH. One
monitoring well has been installed, and an
additional two wells as a minimum will be
installed to determine down gradient. After
the extent of contamination has been
determined, they will submit their
remediation plan.

7-5-89

John North, Contract Administrator of Mills College, said eight soil borings and three monitoring wells will be installed today. I told him to have a copy of their plot plan and sampling locations submitted to me. Samples will be analyzed with a 48 hr. turnaround.

6/12/89
Note additional
requirements #13 and #17.
L.C.

ACCEPTED

DEPARTMENT OF ENVIRONMENTAL HEALTH
470 - 27th Street, Third Floor
Oakland, CA 94612
Telephone: (415) 874-7237

ALAMEDA COUNTY HEALTH CARE SERVICES AGENCY
DEPARTMENT OF ENVIRONMENTAL HEALTH
HAZARDOUS MATERIALS DIVISION
80 SWAN WAY, ROOM 200
OAKLAND, CA 94621
PHONE NO. 415/271-4320

These plans have been reviewed and found to be acceptable and essentially meet the requirements of State and local health laws. Changes to your plans indicated by this Department are to assure compliance with State and local laws. The project proposed herein is now released for issuance of any required building permits for construction.

One copy of these accepted plans must be on the job and available to all contractors and craftsmen involved with the removal.

Any changes or alterations of these plans and specifications must be submitted to this Department and to the Fire and Building Inspection Department to determine if such changes meet the requirements of State and local laws.

Notify this Department at least 48 hours prior to the following required inspections:

- _____ Removal of Tank and Piping
- _____ Sampling
- _____ Final Inspection

Issuance of a permit to operate is dependent on compliance with accepted plans and all applicable laws and regulations.

THERE IS A FINANCIAL PENALTY FOR NOT OBTAINING THESE INSPECTIONS.

UNDERGROUND TANK CLOSURE/MODIFICATION PLANS

1. Business Name Mills College
Business Owner Mills College
2. Site Address Mills College, 5000 MacArthur Blvd.
City Oakland Zip 94619 Phone 430-2146
3. Mailing Address 5000 MacArthur Blvd.
City Oakland Zip 94613 Phone 430-2146
4. Land Owner Mills College
Address 5000 MacArthur Blvd. city, state Oakland CA zip 94613
5. EPA I.D. No. CAC0000 88413
6. Contractor Heim Bros. Inc.
Address 375 Arthur Rd.
City Martinez Phone 229-1610
License Type C-21 ID# 94-1484065
7. Consultant NONE
Address _____
City _____ Phone _____

8. Contact Person for Investigation

Name Frank Charlton Title Director of Campus Facilities
Phone 430-2146

9. Total No. of Tanks at facility ONE

10. Have permit applications for all tanks been submitted to this office? Yes [X] No []

11. State Registered Hazardous Waste Transporters/Facilities

a) Product/Waste Tranporter

Name H + H Ship Service EPA I.D. No. CAD004771168
Address 220 China Basin
City San Francisco State CA Zip 94107

b) Rinsate Transporter

Name H + H Ship Service EPA I.D. No. CAD004771168
Address 220 China Basin
City S.F. State CA Zip 94107

c) Tank Transporter

Name Fuller Excavating EPA I.D. No. CAD981443781
Address P.O. Box 6595
City San Jose State CA Zip 95150

d) Tank Disposal Site

Name H + H Ship Service EPA I.D. No. CAD004771168
Address 220 China Basin
City S.F. State CA Zip 94107

e) Contaminated Soil Transporter

Name _____ EPA I.D. No. _____
Address _____
City _____ State _____ Zip _____

12. Sample Collector

Name Mel Olson
 Company Fuller Excavating
 Address P.O. Box 6595
 City San Jose State CA zip 95150 Phone (408) 267-8345

13. Sampling Information for each tank or area

Tank or Area		Material sampled	Location & Depth
Capacity	Historic Contents (past 5 years)		
500 Gal.	Diesel oil (not used since 1971 or earlier)	Soil and groundwater if present.	At soil/backfill interface into 2' of the native soil.

14. Have tanks or pipes leaked in the past? Yes [] No [X]

If yes, describe. _____

15. NFPA methods used for rendering tank inert? Yes [X] No []

If yes, describe. Dry Ice (CO²)

An explosion proof combustible gas meter shall be used to verify tank inertness.

16. Laboratories

Name Trace Lab
 Address 3423 Investment Blvd., Unit 8
 City Hayward State CA zip 94545
 State Certification No. DOHS122

17. Chemical Methods to be used for Analyzing Samples

Contaminant Sought	EPA, DHS, or Other Sample Preparation Method Number	EPA, DHS, or Other Analysis Number
<p>Diesel oil</p> <p>TPH (Diesel)</p> <p>BTX+E</p>	<p>DHS TPHD</p> <p>Luft Manual Procedure</p>	

18. Submit Site Safety Plan

19. Workman's Compensation: Yes No []

Copy of Certificate enclosed? Yes No []

Name of Insurer State Fund

20. Plot Plan submitted? Yes No []

21. Deposit enclosed? Yes No []

22. Please forward to this office the following information within 60 days after receipt of sample results.

- a) Chain of Custody Sheets
- b) Original Signed Laboratory Reports
- c) TSD to Generator copies of wastes shipped and received
- d) Attachment A summarizing laboratory results

I declare that to the best of my knowledge and belief the statements and information provided above are correct and true. I understand that information in addition to that provided above may be needed in order to obtain an approval from the Department of Environmental Health and that no work is to begin on this project until this plan is approved.

I understand that any changes in design, materials or equipment will void this plan if prior approval is not obtained.

I understand that all work performed during this project will be done in compliance with all applicable OSHA (Occupational Safety and Health Administration) requirements concerning personnel and safety.

I will notify the Department of Environmental Health at least two (2) working days (48 hours) after approval of this closure plan in advance to schedule any required inspections. I understand that site and worker safety are solely the responsibility of the property owner or his agent and that this responsibility is not shared nor assumed by the County of Alameda.

Signature of Contractor

Name (please type) John HEM

Signature 

Date 5/24/89

Signature of Site Owner or Operator

Name (please type) F. G. Charlton, III

Signature 

Date 5/25/89

NOTES:

1. Any changes in this document must be approved by this Department.
2. Any leaks discovered must be submitted to this office on an underground storage tank unauthorized leak/contamination site report form within 5 days of its discovery.
3. Three (3) copies of this plan must be submitted to this Department. One copy must be at the construction site at all times.
4. After approval of plan, notification of at least two (2) working days (48 hours) must be given to this Department prior to removal of tank(s).
5. A copy of your approved plan must be sent to the landowner.
6. Triple rinse means that:
 - a) Final rinse must contain less than 100 ppm of Gasoline (EPA method 8020 for soil, or EPA method 602 for water) or Diesel (EPA method 418.1). Other methods for halogenated volatile organics (EPA method 8010 for soil, EPA method 601 for water) may be required. The composition of the final rinse must be demonstrated by an original or facsimile report from a laboratory certified for the above analyses.
 - b) Tank interior is shown to be free from deposits or residues upon a visual examination of tank interior.
 - c) Tank should be labelled as "tripled rinsed; laboratory certified analysis available upon request" with the name and address of the contractor.

If all the above requirements cannot be met, the tank must be transported as a hazardous waste.

7. Any cutting into tanks requires local fire department approval.

UNDERGROUND TANK CLOSURE/MODIFICATION PLANS

ATTACHMENT A

SAMPLING RESULTS

Tank or Area	Contaminant	Location & Depth	Results (specify units)

INSTRUCTIONS

2. SITE ADDRESS

Address at which closure or modification is taking place.

5. EPA I.D. NO.

This number may be obtained from the State Department of Health Services, 916/324-1781.

6. CONTRACTOR

Prime contractor for the project.

7. OTHER

List professional consultants here.

12. SAMPLE COLLECTOR

Persons who are collecting samples.

13. SAMPLING INFORMATION

Historic contents - the principal product(s) used in the last 5 years.

Material sampled - i.e., water, oil, sludge, soil, etc.

16. LABORATORIES

Laboratories used for chemical and geotechnical analyses.

17. CHEMICAL METHODS:

All sample collection methods and analyses should conform to EPA or DHS methods.

Contaminant - Specify the chemical to be analyzed.

Sample Preparation Method Number - The means used to prepare the sample prior to analyses - i.e., digestion techniques, solvent extraction, etc. Specify number of method and reference if not an EPA or DHS method.

Analysis Method Number - The means used to analyze the sample - i.e., GC, GC-MS, AA, etc. Specify number of method and reference if not a DHS or EPA method.

NOTE:

Method Numbers are available from certified laboratories.

18. SITE SAFETY PLAN

A plan outlining protective equipment and additional specialized personnel in the event that significant amount of hazardous materials are found. The plan should consider the availability of respirators, respirator cartridges, self-contained breathing apparatus (SCBA) and industrial hygienists.

19. ATTACH COPY OF WORKMAN'S COMPENSATION

20. PLOT PLAN

The plan should consists of a scaled view of the facility at which the tank(s) are located and should include the following information:

- a) Scale
- b) North Arrow
- c) Property Line
- d) Location of all Structures
- e) Location of all relevant existing equipment including tanks and piping to be removed
- f) Streets
- g) Underground conduits, sewers, water lines, utilities
- h) Existing wells (drinking, monitoring, etc.)
- i) Depth to ground water
- j) All existing tanks in addition to the ones being pulled

rev. 9/88
mam

HEIM BROS., INC.

CLEARING CONTRACTORS

375 ARTHUR ROAD • MARTINEZ, CA 94553 • 229-1610

An Equal Opportunity Employer

Contractors License No. 234830

LAND CLEARING

DEMOLITION

TREE REMOVAL

Mills College Site Safety Plan:

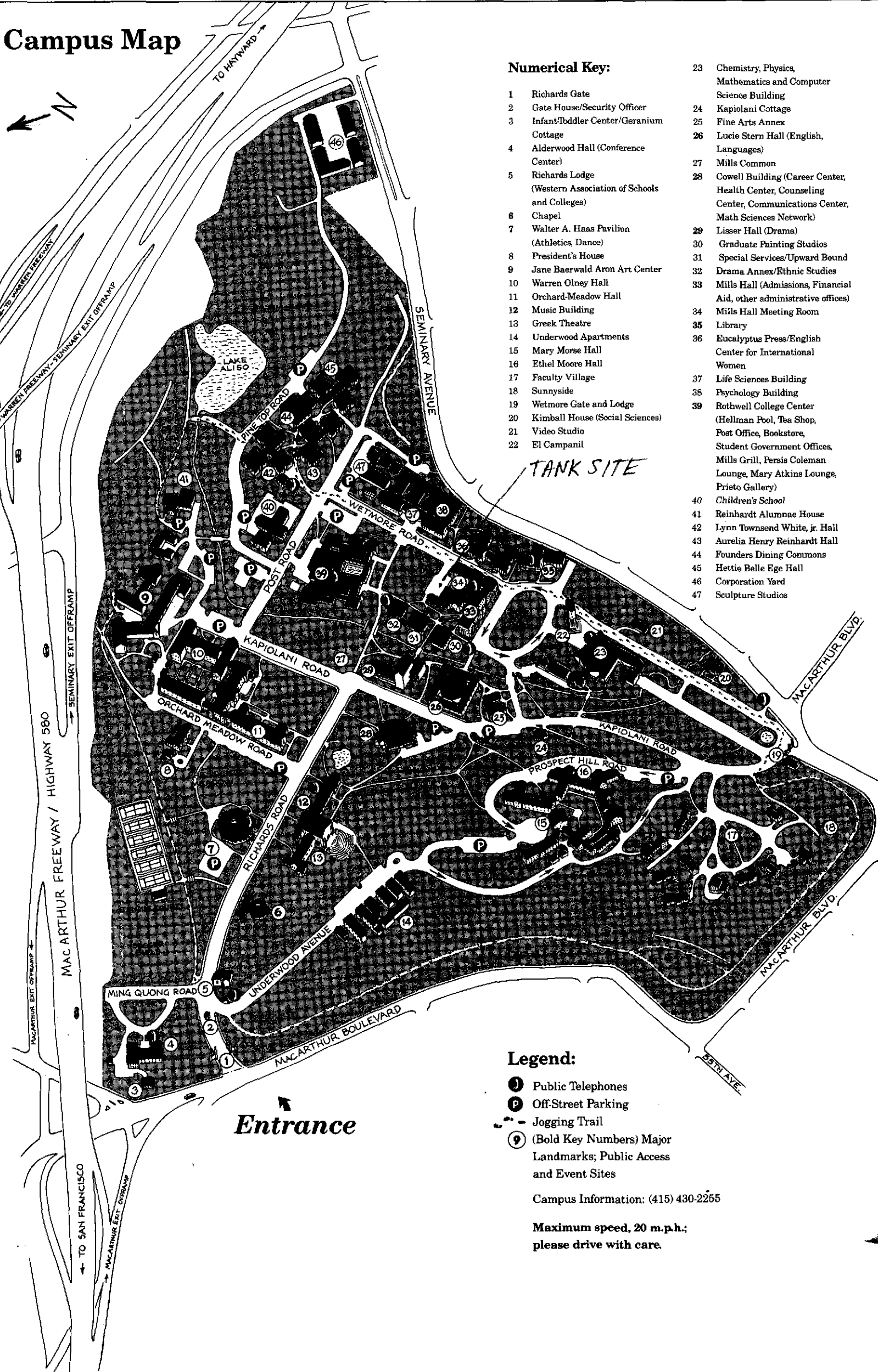
Prior to pulling the tank, we have a safety meeting with all Heim Bros. Inc. employees and subcontractors present. Proper protection is stressed: Hard hats, respirators, respirator cartridges, gloves, safety orange vests and steel-toed boots.

Two class 2-A:10-B:C fire extinguishers will be on the site, held at either end of tank by Heim Bros. Inc. employees.

An explosimeter will be onsite to check the tank before removal. Level C protective clothing will be available to workers on the job site.

John Heim, of Heim Bros. Inc., will take responsibility for site safety during tank removal.

Campus Map



Numerical Key:

- | | |
|--|---|
| 1 Richards Gate | 23 Chemistry, Physics, Mathematics and Computer Science Building |
| 2 Gate House/Security Officer | 24 Kapiolani Cottage |
| 3 Infant/Toddler Center/Geranium Cottage | 25 Fine Arts Annex |
| 4 Alderwood Hall (Conference Center) | 26 Lucie Stern Hall (English, Languages) |
| 5 Richards Lodge (Western Association of Schools and Colleges) | 27 Mills Common |
| 6 Chapel | 28 Cowell Building (Career Center, Health Center, Counseling Center, Communications Center, Math Sciences Network) |
| 7 Walter A. Haas Pavilion (Athletics, Dance) | 29 Lissner Hall (Drama) |
| 8 President's House | 30 Graduate Painting Studios |
| 9 Jane Baerwald Aron Art Center | 31 Special Services/Upward Bound |
| 10 Warren Olney Hall | 32 Drama Annex/Ethnic Studies |
| 11 Orchard-Meadow Hall | 33 Mills Hall (Admissions, Financial Aid, other administrative offices) |
| 12 Music Building | 34 Mills Hall Meeting Room |
| 13 Greek Theatre | 35 Library |
| 14 Underwood Apartments | 36 Eucalyptus Press/English Center for International Women |
| 15 Mary Morse Hall | 37 Life Sciences Building |
| 16 Ethel Moore Hall | 38 Psychology Building |
| 17 Faculty Village | 39 Rothwell College Center (Hellman Pool, Tea Shop, Post Office, Bookstore, Student Government Offices, Mills Grill, Persis Coleman Lounge, Mary Atkins Lounge, Prieto Gallery) |
| 18 Sunnyside | 40 Children's School |
| 19 Wetmore Gate and Lodge | 41 Reinhardt Alumnae House |
| 20 Kimball House (Social Sciences) | 42 Lynn Townsend White, jr. Hall |
| 21 Video Studio | 43 Aurelia Henry Reinhardt Hall |
| 22 El Campanil | 44 Founders Dining Commons |
| | 45 Hettie Belle Ege Hall |
| | 46 Corporation Yard |
| | 47 Sculpture Studios |

TANK SITE

Entrance

Legend:

- Ⓣ Public Telephones
- Ⓟ Off-Street Parking
- Jogging Trail
- Ⓟ (Bold Key Numbers) Major Landmarks; Public Access and Event Sites

Campus Information: (415) 430-2255

Maximum speed, 20 m.p.h.; please drive with care.

Campus Telephone Numbers

Admissions Office, Mills Hall	430-2135
M-F, 8:30 am - 5 pm	
Art Gallery	430-2164
T-Sun, 10 am - 4 pm	
Athletics Office, Haas Pavilion	430-2172
M-F, 8:30 am - 5 pm	
Book Store, Rothwell College Center	430-2156
M-F, 9 am - 4:30 pm	
Campus Event Information	430-0533
College Relations Office, Mills Hall	430-2100
M-F, 8:30 am - 5 pm	
Conference Office, Alderwood Hall	430-2145
M-F, 8:30 am - 5 pm	
Dean of Students Office, Mills Hall	430-2130
M-F, 8:30 am - 5 pm	
Faculty Lounge, Rothwell College Center	430-2091
Financial Aid Office, Mills Hall	430-2134
M-F, 8:30 am - 5 pm	
Founders Commons (including three guest dining rooms)	430-2061
Health Center, Cowell Center	430-2119
M-F, 9 am - 12, 1 - 4:30 pm	
Infant-Toddler Center	562-3865
Library	430-2114
M-Th, 8:30 am - midnight, F, 8:30 am - 9 pm, S-S, 11 am - 11 pm. Summer hours vary.	
Lost & Found,	430-2130
Dean of Students Office, Mills Hall 8:30 am - 5 pm	
Mills Grill, Rothwell College Center	430-2224
M-Sun, 3 - 11 pm. Summer hours vary.	
Registrar's Office, Mills Hall	430-2083
M-F, 8:30 am - 5 pm	
Security	430-2204
Tea Shop, Rothwell College Center	430-3262
M-F, 8:30 am - 3:30 pm. Closed in summer.	
U.S. Post Office,	430-2133
Rothwell College Center M-F, 9 - 11 am, 12 noon - 3 pm	

Directions to Mills

If you are planning to fly into the Bay Area to visit Mills and you will be staying only a short while, the Oakland Airport is very convenient. Located just 15 minutes from the Mills campus, the Oakland Airport provides easy access to and from the College.

From San Francisco

By Car: (25 minutes) Take the Bay Bridge (Interstate 80). From the bridge, take the MacArthur Freeway (Interstate 580) to the second MacArthur Boulevard exit (approximately six miles from the bridge). Curve right at the bottom of the off-ramp and immediately turn left through the gates onto the campus.

By Air: From San Francisco International Airport by car, take the Bayshore Freeway (Rte. 101) north to San Francisco and follow the directions above. If you are coming from the airport by bus, take SamTrans bus #7B or #7F from the airport to the East Bay Transit Terminal, then catch the N bus to Mills' front gate.

By Bus: Take the N bus at the East Bay Transit Terminal at First and Mission streets. Bus stops at Mills' front gate.

By BART (Bay Area Rapid Transit): Take the Fremont BART train to the East Bay and get off at the Coliseum Station. Take a #57 bus to Mills' front gate.

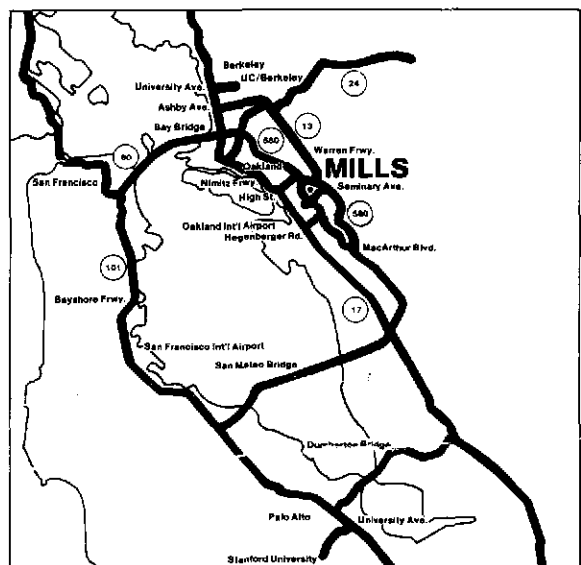
From Oakland

By Air: From the Oakland Airport by car (15 minutes), drive east on Hegenberger Road toward the foothills. Turn north on Rte. 17. Exit at High Street. Turn right onto High and proceed to MacArthur Blvd. Turn right onto MacArthur; stay on MacArthur, bearing right under the overpass. Mills is immediately ahead on your left.

By Bus: Take any bus which goes to MacArthur Blvd., then transfer to a #57 or (before 6:30 pm) a #34 Express. Bus stops at Mills' front gate.

BART (Bay Area Rapid Transit)

Information: (415) 465-2278
 AC Transit Information: (415) 839-2882
 Muni Bus Information: (415) 673-6864
 SamTrans Information: (415) 761-7000



ALAMEDA COUNTY
HEALTH CARE SERVICES

AGENCY

DAVID J. KEARS, Agency Director



DEPARTMENT OF ENVIRONMENTAL HEALTH
Hazardous Materials Program
80 Swan Way, Rm. 200
Oakland, CA 94621
(415)

April 26, 1989

Mr. Fran G. Charlton, III
Director, Campus Facilities
Mills College
5000 MacArthur Blvd.
Oakland, CA 94613-1399

Dear Mr. Charlton:

We have reviewed your site investigation plan dated March 3, 1989, prepared by your consultant, Kaldveer Associates. Your plan is accepted contingent that test holes shall extend at least 30 feet below the lowest point of the underground tank to a maximum depth of 45 feet from the ground surface. Should no groundwater be encountered, soil samples and visual observations are to be taken.

If you have any questions, please contact Larry Seto, Senior Hazardous Materials Specialist, at 271-4320.

Sincerely,

Rafat A. Shahid

Rafat A. Shahid, Chief,
Hazardous Materials Program

RAS:LS:mnc

cc: Gil Jensen, Alameda County District Attorney, Consumer and
Environmental Protection Agency
Doug Krause, DOHS
Lisa McCann, RWQCB
Larry Seto, Alameda County Hazardous Materials Program
Files

MILLS COLLEGE

4000
1111 Arthur
Grove
Oakland
California
94613-1422

MAR 27 1989

March 22, 1989

HAZARDOUS MATERIALS/
WASTE PROGRAM

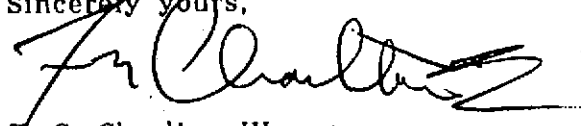
Mr. Rafat A. Shahid
Hazardous Materials Division
80 Swam Way, Room 200
Oakland, Ca. 94621

Dear Mr. Shahid:

Enclosed is a work plan for soil and ground water testing at the Mills College Corporation yard, in response to your letter of February 15, 1989. Also enclosed is a deposit/refund check in the amount of \$500.00, payable to Alameda County.

If you have any questions, please call me at 415-430-2146.

Sincerely yours,



F. G. Charlton III
Director of Campus Facilities

3-23-89

The check got accidentally left out of the previous mailing.

ALAMEDA COUNTY
HEALTH CARE SERVICES

DAVID J. KEARS AGENCY
Agency Director



Department of Environmental Health
Hazardous Materials Division
80 Swan Way, Room 200
Oakland, CA 94621

Certified Mail # P 833 981 232

~~XXXXXXXXXXXXXXXXXXXX~~
~~XXXXXXXXXXXXXXXXXXXX~~

(415) 271-4320

February 15, 1989

Mr. Fran G. Charlton, III
Director, Campus Facilities
Mills College
5000 MacArthur Blvd.
Oakland, CA 94613-1399

Dear Mr. Charlton:

We have received your letter dated February 6, 1989, with the attached laboratory results dated October 31, 1988. Soil samples taken underneath the tank revealed total petroleum hydrocarbon contamination greater than 16,000 ppm. Regional Water Quality Control Board guidelines requires an investigation if contamination is greater than 100 ppm TPH.

All work performed must be in accordance to the Regional Board Staff Recommendations for Initial Evaluation and Investigation of Under-ground Tanks, June 2, 1988.

Please submit your plan of correction for the above site within thirty (30) days from the receipt of this letter, with a deposit/refund check of \$500.00, to cover additional Health Care Agency cost.

Your plan of correction must include, but shall not be limited to the following:

1. Method(s) to determine the vertical and lateral extent of soil contamination
2. Hydraulic gradient must be established through historical data from wells in close proximity to the site and/or installation of additional groundwater wells.
3. Location of a minimum of one monitoring well that must be installed within ten (10) feet of the tank excavation in the vertical down gradient direction. All monitoring

P 833 981 232

RECEIPT FOR CERTIFIED MAIL

NO INSURANCE COVERAGE PROVIDED
NOT FOR INTERNATIONAL MAIL

(See Reverse)

Sent to FRAN CHARLTON - Mills College	
Street and No. 5000 MacArthur Blvd.	
P.O., State and ZIP Code 94618-1399	
Postage	\$
Certified Fee	
Special Delivery Fee	
Restricted Delivery Fee	
Return Receipt showing to whom and Date Delivered	
Return Receipt showing to whom, Date, and Address of Delivery	
TOTAL Postage and Fees	\$
Postmark or Date	

PS Form 3800, June 1985

Complete items 1 and 2 when additional services are desired, and complete items 3 and 4.

Put your address in the "RETURN TO" space on the reverse side. Failure to do this will prevent this card from being returned to you. The return receipt fee will provide you the name of the person delivered to and the date of delivery. For additional fees the following services are available. Consult postmaster for fees and check box(es) for additional service(s) requested.

1. Show to whom delivered, date, and addressee's address. Restricted Delivery
↑(Extra charge)↑

3. Article Addressed to:
MR. FRAN G. CHARLTON, III
Dir. Campus Facilities
Mills College
5000 MacArthur Blvd.
OAKLAND CA 94618-1399

4. Article Number
P833 981 232

Type of Service:
 Registered Insured
 Certified COD
 Express Mail

Always obtain signature of addressee or agent and DATE DELIVERED.

5. Signature - Addressee
X *[Signature]*

6. Signature - Agent
X

7. Date of Delivery
2-21-89

8. Addressee's Address (ONLY if requested and fee paid)
ALAMEDA COUNTY
DEPT. OF ENVIRONMENTAL HEALTH
HAZARDOUS MATERIALS

PS Form 3811, Mar. 1987

* U.S.G.P.O. 1987-178-268

Mr. Fran G. Charlton, III
Director, Campus Facilities
Mills College
5000 MacArthur Blvd.
Oakland, CA 94613-1399
February 15, 1989
Page 2 of 2

wells must be installed according to RWQCB "Guidelines for Addressing Fuel Leaks" (1988). Analytical soil samples must be collected every 5 feet to groundwater or maximum depth of 40 feet.

4. Method of disposal of your contaminated soil
5. Name of licensed hauler (if applicable)
6. Name of disposal facility (if applicable)

If you have any questions, please contact Larry Seto, Senior Hazardous Materials Specialist, at 271-4320.

Sincerely,


Rafat A. Shahid, Chief,
Hazardous Materials Program

RAS:mnc

cc: Gil Jensen, Alameda County District Attorney, Consumer and
Environmental Protection Agency
Doug Krause, DOHS
Lisa McCann, RWQCB

MILLS COLLEGE

5000
MacArthur
Boulevard
Oakland
California
94613-1399

February 6, 1989

2/7/89
ALAMEDA COUNTY
DEPT. OF ENVIRONMENTAL HEALTH
HAZARDOUS MATERIALS

Alameda County
Department of Environmental Health
Hazardous Materials Program
80 Swan Way, Rm. 200
Oakland, Ca. 94621

Attn: Lawrence Seto

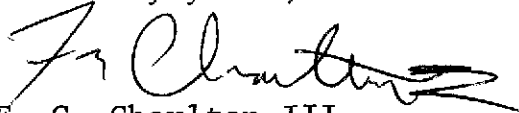
Dear Mr. Seto:

Enclosed is a copy of the chemical analysis of the soil sample taken during the removal of the underground storage tank at the Corporation Yard at Mills College.

Please advise me of any additional steps that I must take regarding this issue.

Thank you for your assistance.

Sincerely yours,



F. G. Charlton III
Director of Campus Facilities

ALAMEDA COUNTY
HEALTH CARE SERVICES

DAVID J. KEARS AGENCY

~~DAVID J. KEARS~~ Agency Director



Department of Environmental Health
Hazardous Materials Program
80 Swan Way, Rm. 200
Oakland, CA 94621

Telephone Number: (415) 271-4320

January 23, 1989

Mr. Frank G. Charlton, III,
Director Campus Facilities
Mills College
5000 MacArthur Blvd.
Oakland, CA 94613-1399

Dear Mr. Charlton:

We have not received the chemical analysis of the soil samples taken during the removal of your underground storage tanks at the above site.

Please submit your analysis within ten (10) days of the receipt of this letter. If you have any questions, please contact Larry Seto, Senior Hazardous Materials Specialist at, 271-4320.

Sincerely,

Rafat A. Shahid, Chief,
Hazardous Materials Program

RAS:mnc

cc: Lisa McCann, RWQCB
Gil Jensen, Alameda County District Attorney, Consumer & Environmental Protection Agency *

Dwight Hoenig, DOHS
Larry Seto, Sr. HMS
Files

**ALAMEDA COUNTY HEALTH CARE SERVICES AGENCY
DEPARTMENT OF ENVIRONMENTAL HEALTH
HAZARDOUS MATERIALS DIVISION**

470 - 27TH ST., RM. 322
OAKLAND, CA 94612
PHONE NO. 415-774-7237

*9/8/88
Soil samples must be
labelled for B & X in
addition to T & H.
Jony*

ACCEPTED
DEPARTMENT OF ENVIRONMENTAL HEALTH
470 - 27th Street, Third Floor
Oakland, CA 94612
Telephone: (415) 874-7237

These plans have been reviewed and found to be acceptable and essentially meet the requirements of State and local health laws. Changes to your plans indicated by this Department are to assure compliance with State and local laws. The project proposed herein is now released for issuance of any required building permits for construction.

One copy of these accepted plans must be on the job and available to all contractors and craftsmen involved with the removal.

Any change or alterations of these plans and specifications must be submitted to this Department and to the Fire and Building Inspection Department to determine if such changes meet the requirements of State and local laws. Notify this Department at least 48 hours prior to following required inspections:

- CS 10-21-88 Removal of Tank and Pipe
- CS 10-21-88 Sampling
- CS 10-21-88 Final Inspection

Issuance of a permit to operate is dependent on compliance with accepted plans and all applicable laws and regulations.

THERE IS A FINANCIAL PENALTY FOR NOT OBTAINING THESE INSPECTIONS.

UNDERGROUND TANK CLOSURE/MODIFICATION PLANS

1. Business Name Mills College
Business Owner Mills College
2. Site Address 5000 MacArthur Blvd.
City Oakland, Cal Zip 94613-1399 Phone (415)430-2146
3. Mailing Address 5000 MacArthur Blvd.
City Oakland, Cal. Zip 94613-1399 Phone (415)430-2146
4. Land Owner Mills College
Address 5000 MacArthur Blvd. City, State Ca. Zip 94613-1399
5. EPA I.D. No. CAC. 000088413
6. Contractor Pearson Equipment & Maint. Co.
Address 614 W. Julian St.
City San Jose, Calif. 95126 Phone (408) 293-4359
License Type C-61 A General Engineering # 197598
7. Other (Specify) _____
Address _____
City _____ Phone _____

Project # US 24560
Fee Paid \$ 300
Date 8/4/88

8. Contact Person for Investigation

Name Dale Doshack Title Owner

Phone 408-293-4359

9. Total No. of Tanks at facility 1

10. Have permit applications for all tanks been submitted to this office? Yes [X] No []

11. State Registered Hazardous Waste Transporters/Facilities

a) Product/Waste Tranporter

Name H & H Ship Services EPA I.D. No. CAD004771168

Address 220 China Basin

city San Francisco, State Ca. Zip 94107

b) Rinsate Transporter

Name H & H Ship Services EPA I.D. No. CAD004771168

Address 220 China Basin

City San Francisco, State Ca. Zip 94107

c) Tank Transporter

Name H & H Ship Services EPA I.D. No. CAD004771168

Address 220 China Basin

City San Francisco State Ca. Zip 94107

d) Contaminated Soil Transporter

Name H & H Ship Serviced EPA I.D. No. CAD004771168

Address 220 China Basin

City SAN Francisco, State Ca. Zip 94107

12. Sample Collector

Name Blaine Tech Service Inc. Richard Blaine

Company Blaine Tech Services

Address 1370 Tully Road

City San Jose, State Ca. Zip 95122 Phone (408) 723-3974

13. Sampling Information for each tank or area

Tank or Area		Material sampled	Location & Depth
Capacity 1,000	Historic Contents (past 5 years) Tank Not Leaking	None	Maintenance Building 3' of Cover

14. Have tanks or pipes leaked in the past? Yes [] No [X]

If yes, describe. No Loss of Fuel No Known leaks

15. NFPA methods used for rendering tank inert? Yes [X] No []

If yes, describe. Induce 50Lbs. Dry Ice.

16. Laboratories

Name Sequoia Labs.

Address 2549 Middlefield Rd.

City Redwood City, Cas State _____ zip 94063

State Certification No. #145

17. Chemical Methods to be used for Analyzing Samples

Contaminant Sought	EPA, DHS, or Other Sample Preparation Method Number	EPA, DHS, or Other Analysis Number
Gasoline	5020	8015

18. Site Safety Plan submitted? Yes No

19. Workman's Compensation: Yes No

Copy of Certificate enclosed? Yes No

Name of Insurer Zenith

20. Plot Plan submitted? Yes No

21. Deposit enclosed? Yes No

22. Please forward to this office the following information within 60 days after receipt of sample results.

- a) Chain of Custody Sheets
- b) Original Signed Laboratory Reports
- c) TSD to Generator copies of wastes shipped and received
- d) Attachment A summarizing laboratory results

I declare that to the best of my knowledge and belief the statements and information provided above are correct and true. I understand that information in addition to that provided above may be needed in order to obtain an approval from the Department of Environmental Health and that no work is to begin on this project until this plan is approved.

I understand that any changes in design, materials or equipment will void this plan if prior approval is not obtained.

I will notify the Department of Environmental Health at least two (2) working days (48 hours) in advance to schedule any required inspections. I understand that site and worker safety are solely the responsibility of the property owner or his agent and that this responsibility is not shared nor assumed by the County of Alameda.

PEARSON EQUIPMENT & MAINTANCE CO.

614 W. JULIAN
SAN JOSE, CA 95126

Signature of Contractor

Name (please type) Dale F. Doshack



Signature _____

Date July 22, 1988

Signature of Site Owner or Operator

Name (please type) Frank G. Charlton III

Signature _____



Date August 4, 1988

NOTES:

1. Any changes in this document must be approved by this Department.
2. Any leaks discovered must be submitted to this office on an underground storage tank unauthorized leak/contamination site report form within 5 days of its discovery.
3. Three (3) copies of this plan must be submitted to this Department. One copy must be at the construction site at all times.
4. A copy of your approved plan must be sent to the landowner.

UNDERGROUND TANK CLOSURE/MODIFICATION PLANS

ATTACHMENT A
SAMPLING RESULTS

Tank or Area	Contaminant	Location & Depth	Results (specify units)

INSTRUCTIONS

2. SITE ADDRESS

Address at which closure or modification is taking place.

5. EPA I.D. NO.

This number may be obtained from the State Department of Health Services, 916/324-1781.

6. CONTRACTOR

Prime contractor for the project.

7. OTHER

List professional consultants here.

12. SAMPLE COLLECTOR

Persons who are collecting samples.

13. SAMPLING INFORMATION

Historic contents - the principal product(s) used in the last 5 years.

Material sampled - i.e., water, oil, sludge, soil, etc.

16. LABORATORIES

Laboratories used for chemical and geotechnical analyses.

17. CHEMICAL METHODS:

All sample collection methods and analyses should conform to EPA or DHS methods.

Contaminant - Specify the chemical to be analyzed.

Sample Preparation Method Number - The means used to prepare the sample prior to analyses - i.e., digestion techniques, solvent extraction, etc. Specify number of method and reference if not an EPA or DHS method.

Analysis Method Number - The means used to analyze the sample - i.e., GC, GC-MS, AA, etc. Specify number of method and reference if not a DHS or EPA method.

NOTE:

Method Numbers are available from certified laboratories.

18. SITE SAFETY PLAN

A plan outlining protective equipment and additional specialized personnel in the event that significant amount of hazardous materials are found. The plan should consider the availability of respirators, respirator cartridges, self-contained breathing apparatus (SCBA) and industrial hygienists.

19. ATTACH COPY OF WORKMAN'S COMPENSATION

20. PLOT PLAN

The plan should consists of a scaled view of the facility at which the tank(s) are located and should include the following information:

- a) Scale
- b) North Arrow
- c) Property Line
- d) Location of all Structures
- e) Location of all relevant existing equipment including tanks and piping to be removed
- f) Streets
- g) Underground conduits, sewers, water lines, utilities
- h) Existing wells (drinking, monitoring, etc.)
- i) Depth to ground water
- j) All existing tanks in addition to the ones being pulled

CERTIFICATE OF INSURANCE

ISSUE DATE (MM/DD/YY)
07/25/88

PRODUCER

**Darrell Dukes Ins.
Associates, Inc.
1156 N. Fourth Str.
San Jose, CA 95112**

THIS CERTIFICATE IS ISSUED AS A MATTER OF INFORMATION ONLY AND CONFERS NO RIGHTS UPON THE CERTIFICATE HOLDER. THIS CERTIFICATE DOES NOT AMEND, EXTEND OR ALTER THE COVERAGE AFFORDED BY THE POLICIES BELOW.

COMPANIES AFFORDING COVERAGE

- COMPANY LETTER **A** **ADMIRAL INS. CO. [I-West]**
- COMPANY LETTER **B** **Travelers Ins. Co.**
- COMPANY LETTER **C**
- COMPANY LETTER **D** **Zenith Insurance Co.**
- COMPANY LETTER **E**

INSURED

**Pearson Equipment
& Maintenance
614 W. Julian Street
San Jose, CA 95126**

COVERAGES

THIS IS TO CERTIFY THAT POLICIES OF INSURANCE LISTED BELOW HAVE BEEN ISSUED TO THE INSURED NAMED ABOVE FOR THE POLICY PERIOD INDICATED. NOTWITHSTANDING ANY REQUIREMENT, TERM OR CONDITION OF ANY CONTRACT OR OTHER DOCUMENT WITH RESPECT TO WHICH THIS CERTIFICATE MAY BE ISSUED OR MAY PERTAIN, THE INSURANCE AFFORDED BY THE POLICIES DESCRIBED HEREIN IS SUBJECT TO ALL THE TERMS, EXCLUSIONS, AND CONDITIONS OF SUCH POLICIES.

CO LTR	TYPE OF INSURANCE	POLICY NUMBER	POLICY EFFECTIVE DATE (MM/DD/YY)	POLICY EXPIRATION DATE (MM/DD/YY)	LIABILITY LIMITS IN THOUSANDS		
					EACH OCCURRENCE	AGGREGATE	
A	GENERAL LIABILITY	A88EG15551	06/30/88	06/30/89	BODILY INJURY	\$	\$
	<input checked="" type="checkbox"/> COMPREHENSIVE FORM				PROPERTY DAMAGE	\$	\$
	<input checked="" type="checkbox"/> PREMISES/OPERATIONS UNDERGROUND EXPLOSION & COLLAPSE HAZARD				BI & PD COMBINED	\$ 500	\$ 500
	<input checked="" type="checkbox"/> PRODUCTS/COMPLETED OPERATIONS				PERSONAL INJURY		\$500
	<input checked="" type="checkbox"/> CONTRACTUAL						
	<input type="checkbox"/> INDEPENDENT CONTRACTORS						
	<input checked="" type="checkbox"/> BROAD FORM PROPERTY DAMAGE						
<input checked="" type="checkbox"/> PERSONAL INJURY	CLAIMS MADE						
B	AUTOMOBILE LIABILITY				BODILY INJURY (PER PERSON)	\$	
	<input checked="" type="checkbox"/> ANY AUTO				BODILY INJURY (PER ACCIDENT)	\$	
	<input checked="" type="checkbox"/> ALL OWNED AUTOS (PRIV. PASS.)				PROPERTY DAMAGE	\$	
	<input checked="" type="checkbox"/> ALL OWNED AUTOS (OTHER THAN PRIV. PASS.)				BI & PD COMBINED	\$ 500	
	<input checked="" type="checkbox"/> HIRED AUTOS						
	<input checked="" type="checkbox"/> NON-OWNED AUTOS						
<input type="checkbox"/> GARAGE LIABILITY							
C	EXCESS LIABILITY				BI & PD COMBINED	\$	\$
	<input type="checkbox"/> UMBRELLA FORM						
D	WORKERS' COMPENSATION AND EMPLOYERS' LIABILITY	BT6507678	01/01/88	01/01/89	STATUTORY		
					\$ \$1000 (EACH ACCIDENT)		
					\$ \$1000 (DISEASE-POLICY LIMIT)		
E	OTHER				\$ \$1000 (DISEASE-EACH EMPLOYEE)		

DESCRIPTION OF OPERATIONS/LOCATIONS/VEHICLES/SPECIAL ITEMS
ALL CALIFORNIA OPERATIONS.

CERTIFICATE HOLDER

**ALAMEDA COUNTY
HEALTH DEPARTMENT
470 - 27TH STREET, RM #322
OAKLAND, CA 94612**

CANCELLATION

SHOULD ANY OF THE ABOVE DESCRIBED POLICIES BE CANCELLED BEFORE THE EXPIRATION DATE THEREOF, THE ISSUING COMPANY WILL ENDEAVOR TO MAIL 10 DAYS WRITTEN NOTICE TO THE CERTIFICATE HOLDER NAMED TO THE LEFT, BUT FAILURE TO MAIL SUCH NOTICE SHALL IMPOSE NO OBLIGATION OR LIABILITY OF ANY KIND UPON THE COMPANY, ITS AGENTS OR REPRESENTATIVES.

AUTHORIZED REPRESENTATIVE

Darrell Dukes
Darrell Dukes Insurance Associates, Inc.

STEEL
BOUYANCY CALCULATIONS
FOR 1,000 GALLON TANK

3'-0" WATER TABLE

NO HOLD-DOWN SLAB REQUIRED

WEIGHT OF SUBMERGED SOIL	-----	50 PCF
WEIGHT OF DRY SOIL	-----	110
SAFETY FACTOR AGAINST BUOYANCY	-----	125
<u>BUOYANT FORCE 11.3 X 62.4</u>	-----	<u>705</u>
WEIGHT OF DRY SOIL 3.9 X 9 X 110	-----	1,285
WEIGHT OF SUBMERGED SOIL 1.8 X 50	-----	90
WEIGHT OF TANK	-----	95

TOTAL HOLDING LOAD 1,470 PCF

SAFETY FACTOR $\frac{1470}{705} = 2.09$ O.K.

HOLD DOWN SLAB DESIGN

8'-0" DIAMETER TANK

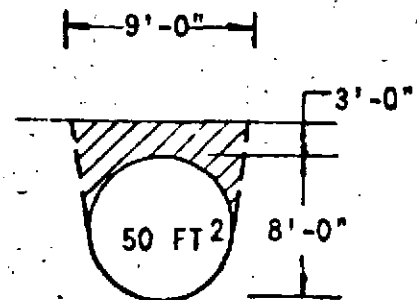
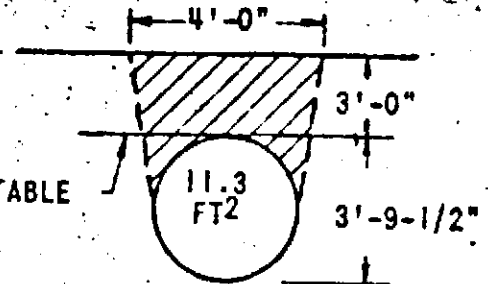
3'-0" WATER TABLE

WEIGHT OF SUBMERGED SOIL	-----	50 PCF
WEIGHT OF DRY SOIL	-----	110 PCF
<u>BUOYANT FORCE 50 X 62.4</u>	-----	<u>3,120 #/FT</u>
WEIGHT OF 8" SLAB 100 X 9	-----	900 #/FT
WEIGHT OF DRY SOIL 110 X 204	-----	2,240
WEIGHT OF SUBMERGED SOIL 50 X 8	-----	400
WEIGHT OF TANK	-----	300

TOTAL HOLDING LOAD 3,840 #/FT

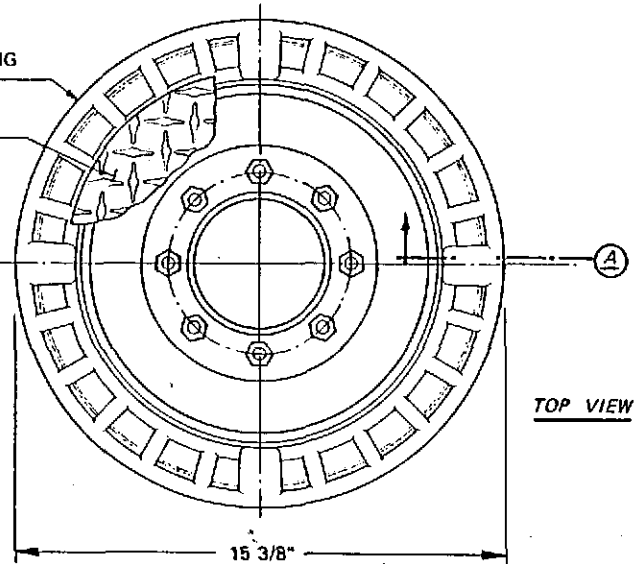
SAFETY FACTOR $\frac{3840}{3120} = 1.23$ O.K.

USE 8" SLAB WITH 6" X 6" WELDED MESH 10 GAGE, 3" CLEARANCE TOP OF SLAB.



CEMENT FINISHING FLANGE

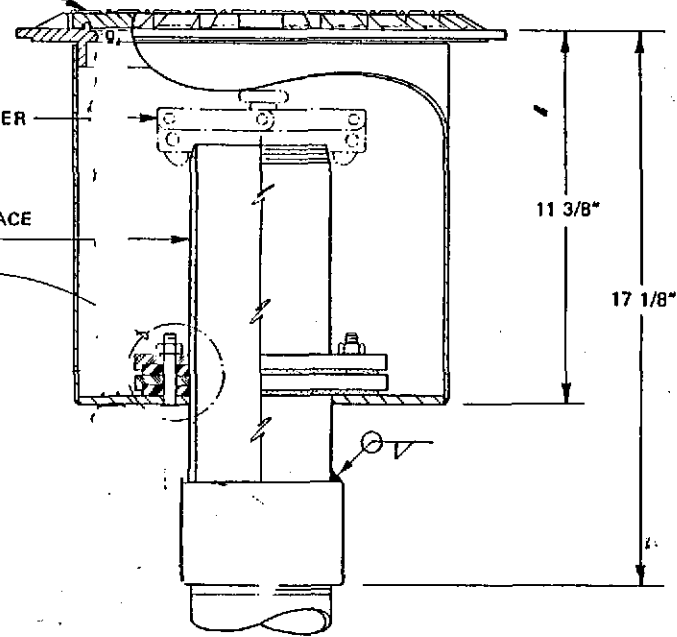
MANHOLE LID



TOP VIEW

15 3/8"

RAIN - TITE LID & MANHOLE RING



PARTIAL SECTION

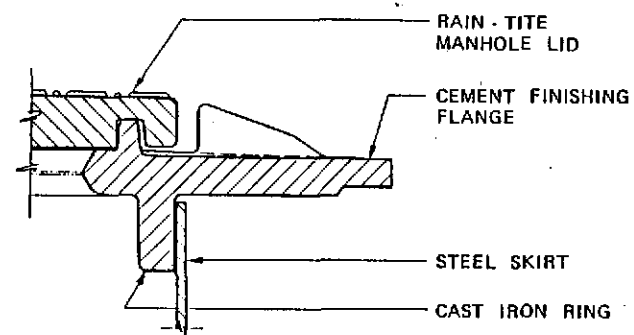
ADAPTOR & COVER BY CUSTOMER

MACHINED SURFACE NIPPLE

SEE DETAIL B
OF RIGHT

11 3/8"

17 1/8"



SECTION A

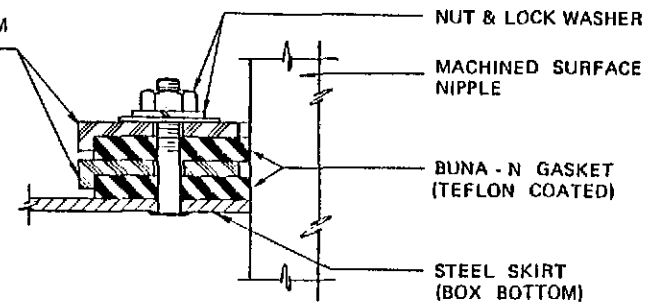
RAIN - TITE MANHOLE LID

CEMENT FINISHING FLANGE

STEEL SKIRT

CAST IRON RING

ALUMINUM COLLARS



DETAIL B

NUT & LOCK WASHER

MACHINED SURFACE NIPPLE

BUNA - N GASKET (TEFLON COATED)

STEEL SKIRT (BOX BOTTOM)

SPILL PROTECTION MANHOLE MODEL III

4 - 21 - 1988 ACM / hw



POMECO CORPORATION
 18237 ILLINOIS AVENUE • PARAMOUNT, CALIFORNIA 90723
 TELEPHONE (213) 633-5515

PETROMETER SERIES 20 DOUBLE CONTAINMENT TANK LEAK ALARM:

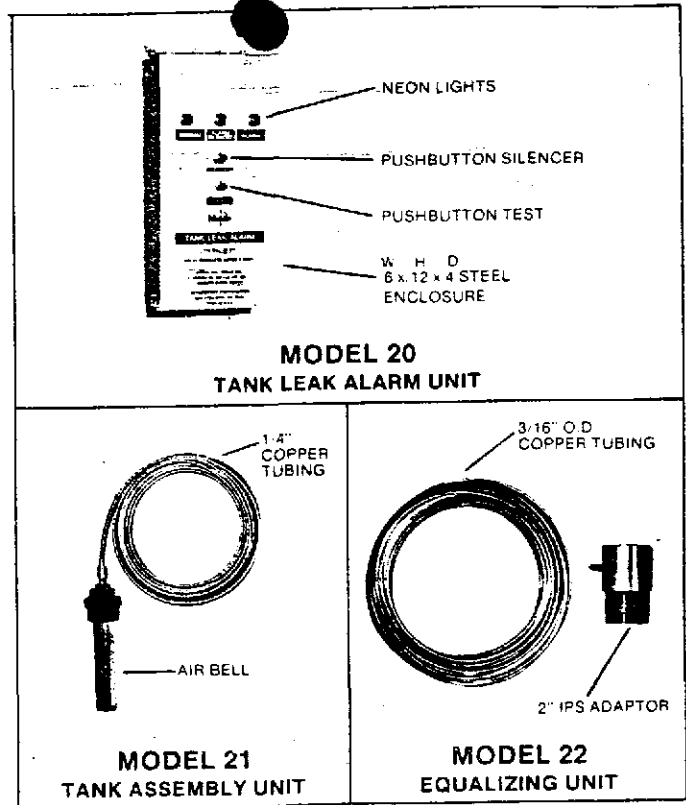
DESCRIPTION: The Tank Leak Alarm System consists of the following:

1. **THE MODEL 20 TYPE T ALARM UNIT:** Consists of a pressure switch, 3 status lights (Green — Normal/Power On, Red — Alarm, Amber — Alarm Silenced), buzzer, relay, pushbutton silencer-switch, pushbutton alarm test switch and printed circuit to perform the alarm functions.

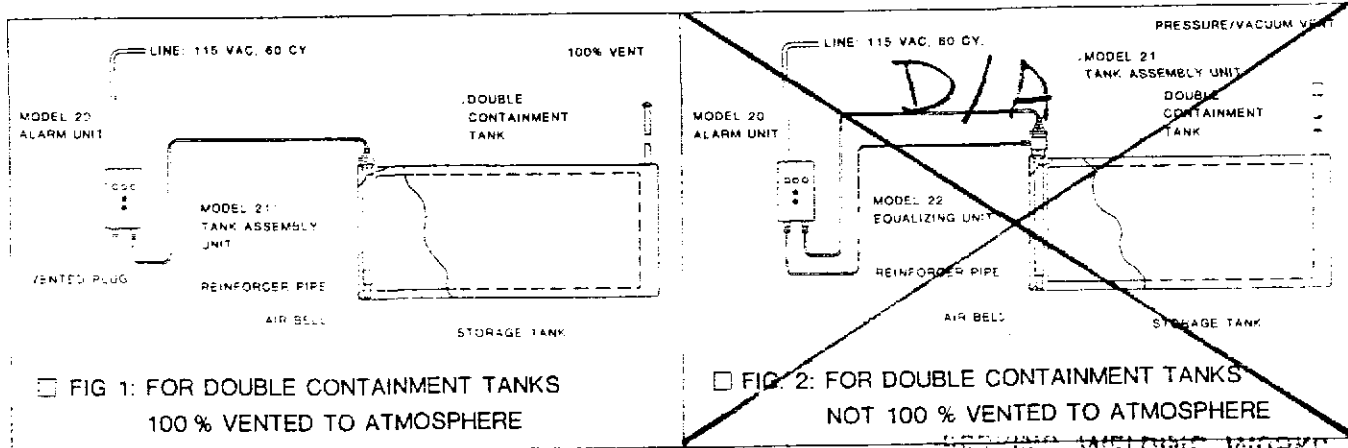
2. **THE MODEL 21 TANK ASSEMBLY UNIT:** Consists of a one piece coil of 1/4" O.D. copper tubing with a brass air bell and a 2" x 1-1/2" IPS double tapped tank top bushing with brass locking fitting. A 1-1/2" IPS schedule 40 reinforcer pipe, supplied by the installer, is required to hold the air bell rigidly in place at the bottom of the double containment tank unless some other means of support is provided for the air bell.

IMPORTANT: For double containment tanks not 100% vented to atmosphere a Model 22 Equalizing Unit is also required.

3. **THE MODEL 22 EQUALIZING UNIT:** Required only for double containment tanks that are not 100% vented to atmosphere. Consists of a one piece coil of 3/16" O.D. copper tubing, a 2" IPS nipple/pipe coupling adaptor and 3/16" tube fittings.

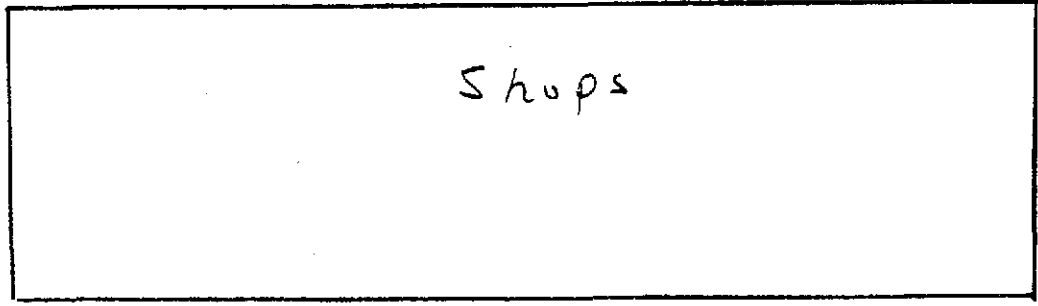


OPERATION: The Tank Leak Alarm System is fully automatic and need only be connected to a power source. The system operates on the principles of hydrostatics using the Tank Assembly Unit Air Bell as the sensing device. A leak in the storage tank will start flooding the double containment tank with the stored liquid, immersing the air bell in tank liquid. This causes an increase in pressure of the trapped air within the air bell and interconnecting 1/4" copper tubing that activates a switching element, within the Model 20 tank leak alarm unit, to sound alarm. In factory tests using 50' of tubing and water a 3/8" immersion, above the air bell openings, sounded the alarm. The audible alarm is silenced by a pushbutton silencing circuit and automatically resets when the double containment tank is pumped out. An alarm test pushbutton permits verification that the alarm circuit is functioning correctly. For double containment tanks that are not 100% vented to atmosphere a 3/16" equalizing line is added to compensate for any pressure or vacuum within the double containment tank.

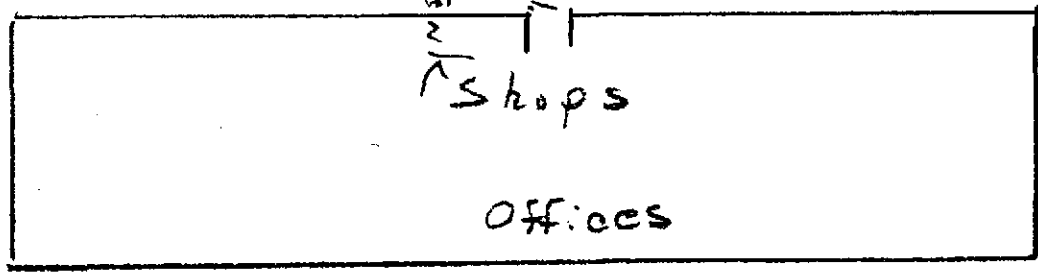
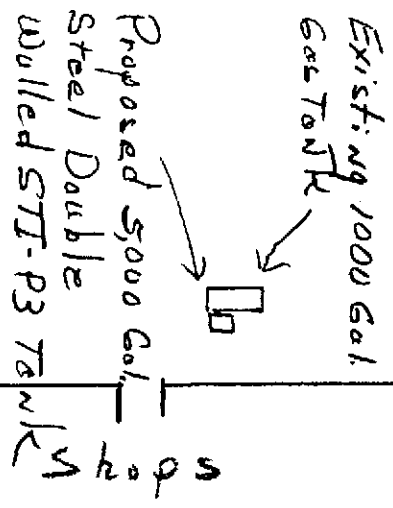


SCHEMATIC DIAGRAMS OF TYPICAL INSTALLATIONS

PETROMETER WELDING WORKS
 (609) 385-5413



Parking

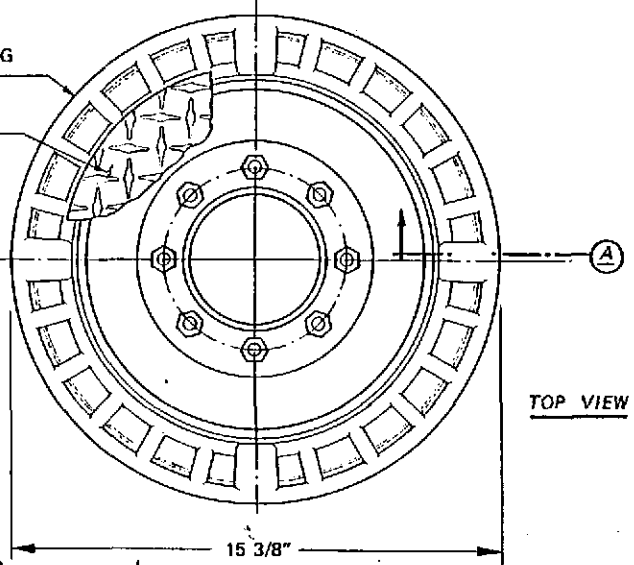


Seminary Ave.

Mills College 5000 MacArthur Blvd. Oakland, Calif.	
SCALE: 1" = 40'	APPROVED BY:
DATE: 7-1-88	
Confr. Pearson Egypt + Maint Co 614 W. Tulien St. San Jose, Calif.	
Lic # 199598 0-61-A	
DRAWN BY DD	
REVISED	
DRAWING NUMBER	

CEMENT FINISHING
FLANGE

MANHOLE LID



TOP VIEW

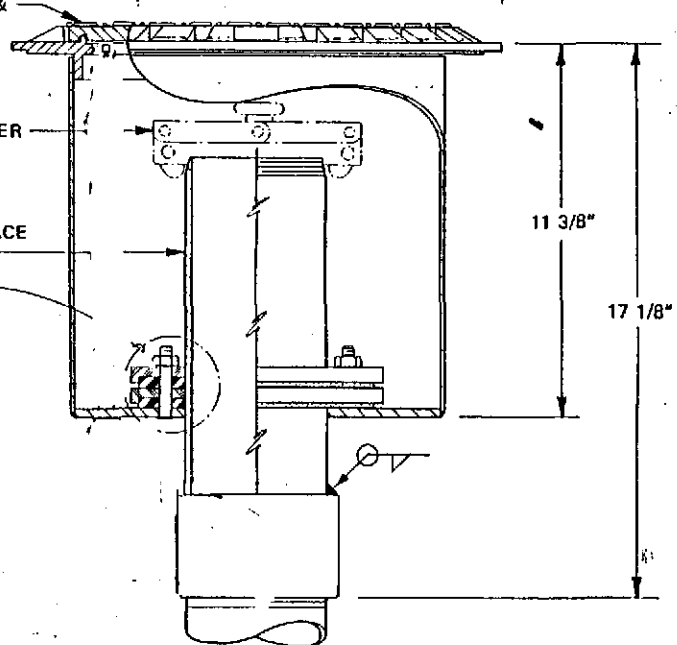
15 3/8"

RAIN - TITE LID &
MANHOLE RING

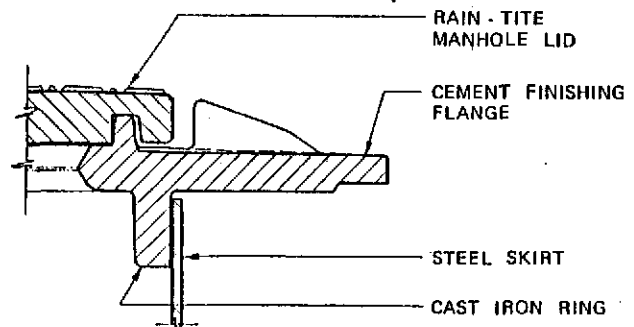
ADAPTOR & COVER
BY CUSTOMER

MACHINED SURFACE
NIPPLE

SEE DETAIL B
AT RIGHT

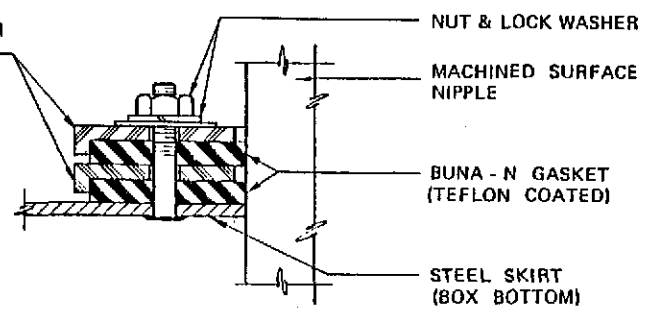


PARTIAL SECTION



SECTION A

ALUMINUM
COLLARS



DETAIL B

SPILL PROTECTION MANHOLE MODEL III

4 - 21 - 1986 ACM / hw



POMECO CORPORATION
 16237 ILLINDIS AVENUE • PARAMOUNT, CALIFORNIA 90723
 TELEPHONE (213) 633-5515

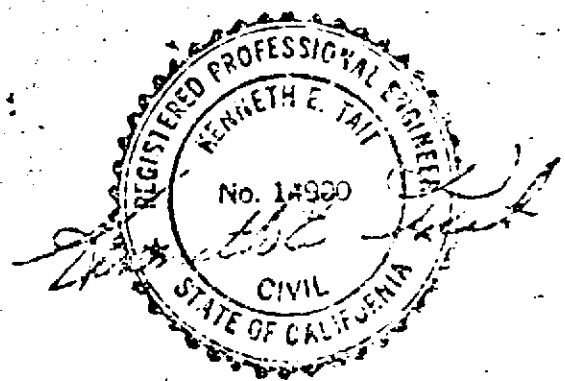
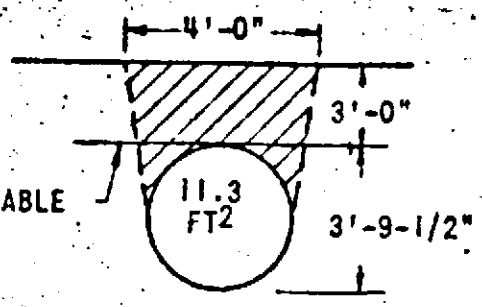
STEEL
BUOYANCY CALCULATIONS
FOR 1,000 GALLON TANK
3'-0" WATER TABLE

NO HOLD-DOWN SLAB REQUIRED

WEIGHT OF SUBMERGED SOIL	-----	50 PCF
WEIGHT OF DRY SOIL	-----	110
SAFETY FACTOR AGAINST BUOYANCY	-----	125
BUOYANT FORCE 11.3 X 62.4	-----	705
WEIGHT OF DRY SOIL 3.9 X 3 X 110	-----	1,285
WEIGHT OF SUBMERGED SOIL 1.8 X 50	-----	90
WEIGHT OF TANK	-----	95

TOTAL HOLDING LOAD 1,470 PCF

SAFETY FACTOR $\frac{1470}{705} = 2.09$ O.K.

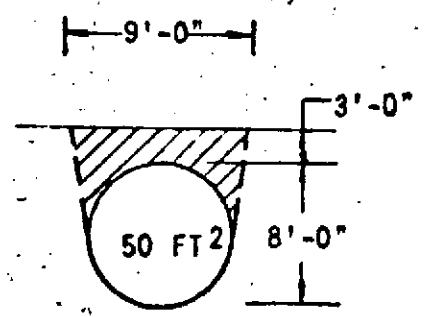


HOLD DOWN SLAB DESIGN
8'-0" DIAMETER TANK
3'-0" WATER TABLE

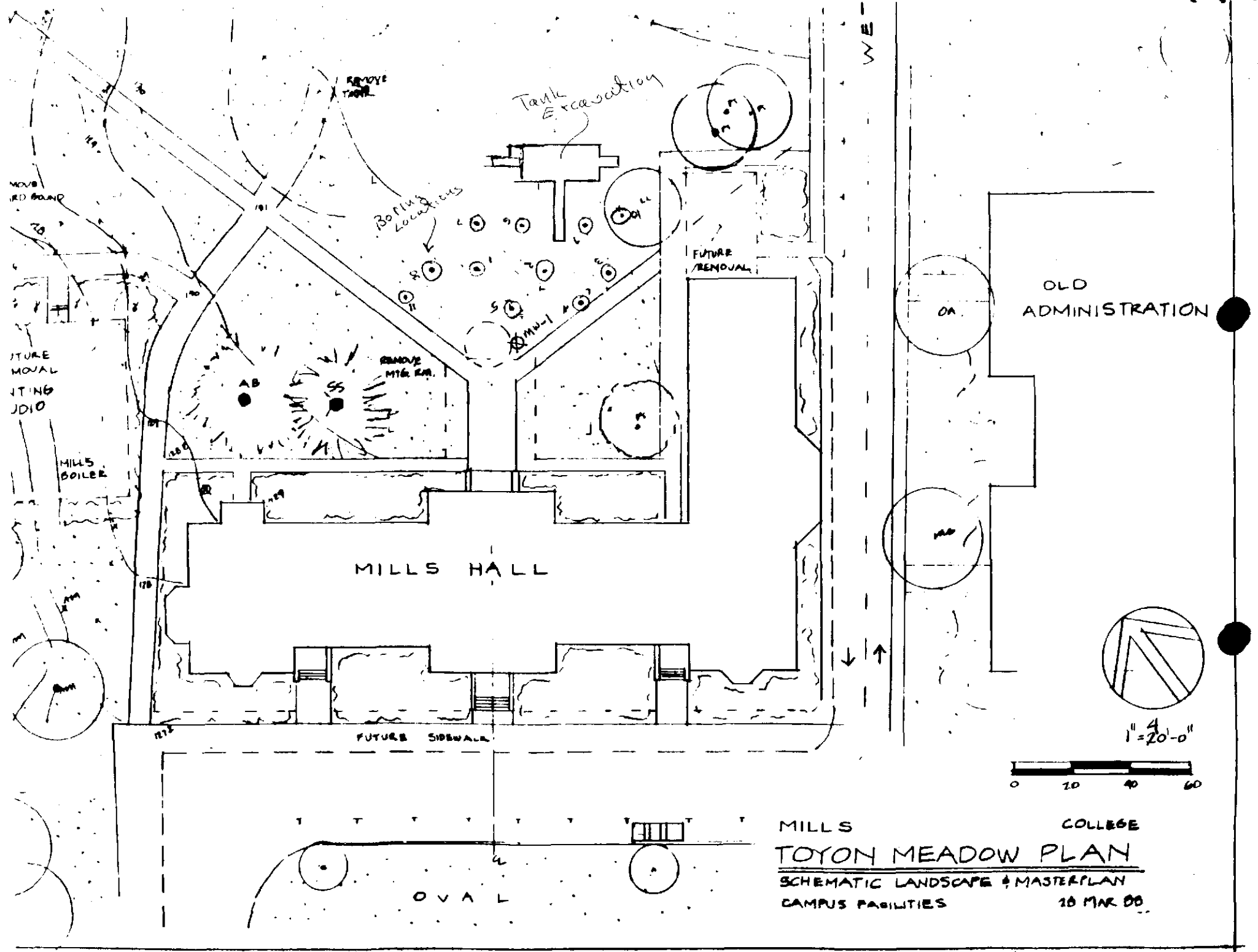
WEIGHT OF SUBMERGED SOIL	-----	50 PCF
WEIGHT OF DRY SOIL	-----	110 PCF
BUOYANT FORCE 50 X 62.4	-----	3,120 #/FT
WEIGHT OF 8" SLAB 100 X 9	-----	900 #/FT
WEIGHT OF DRY SOIL 110 X 204	-----	2,240
WEIGHT OF SUBMERGED SOIL 50 X 8	-----	400
WEIGHT OF TANK	-----	300

TOTAL HOLDING LOAD 3,840 #/FT

SAFETY FACTOR $\frac{3840}{3120} = 1.23$ O.K.



USE 8" SLAB WITH 6" X 6" WELDED MESH 10 GAGE, 3" CLEARANCE TOP OF SLAB.

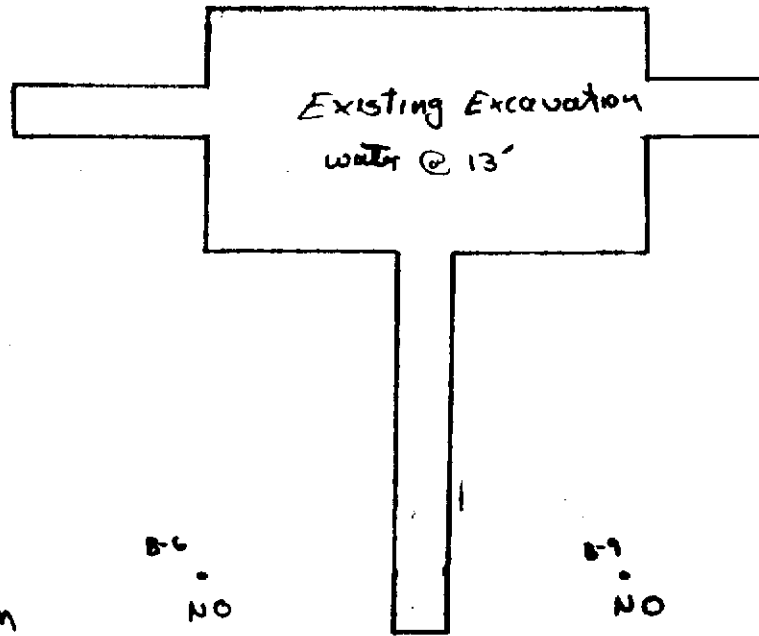


1"=10'

Hydrocarbon Concentrations
@ 10' sample depth.

ND = Not Detected @ 10ppm DL.

NO = No odor on sample.
(no analysis)



Bottom of tank
is approx. 9'

B-7
240ppm

B-6
NO

B-3
NO

B-10
NO

B-8
NO

B-1
190ppm

B-2
NO

B-3
NO

B-11
NO

B-5
NO

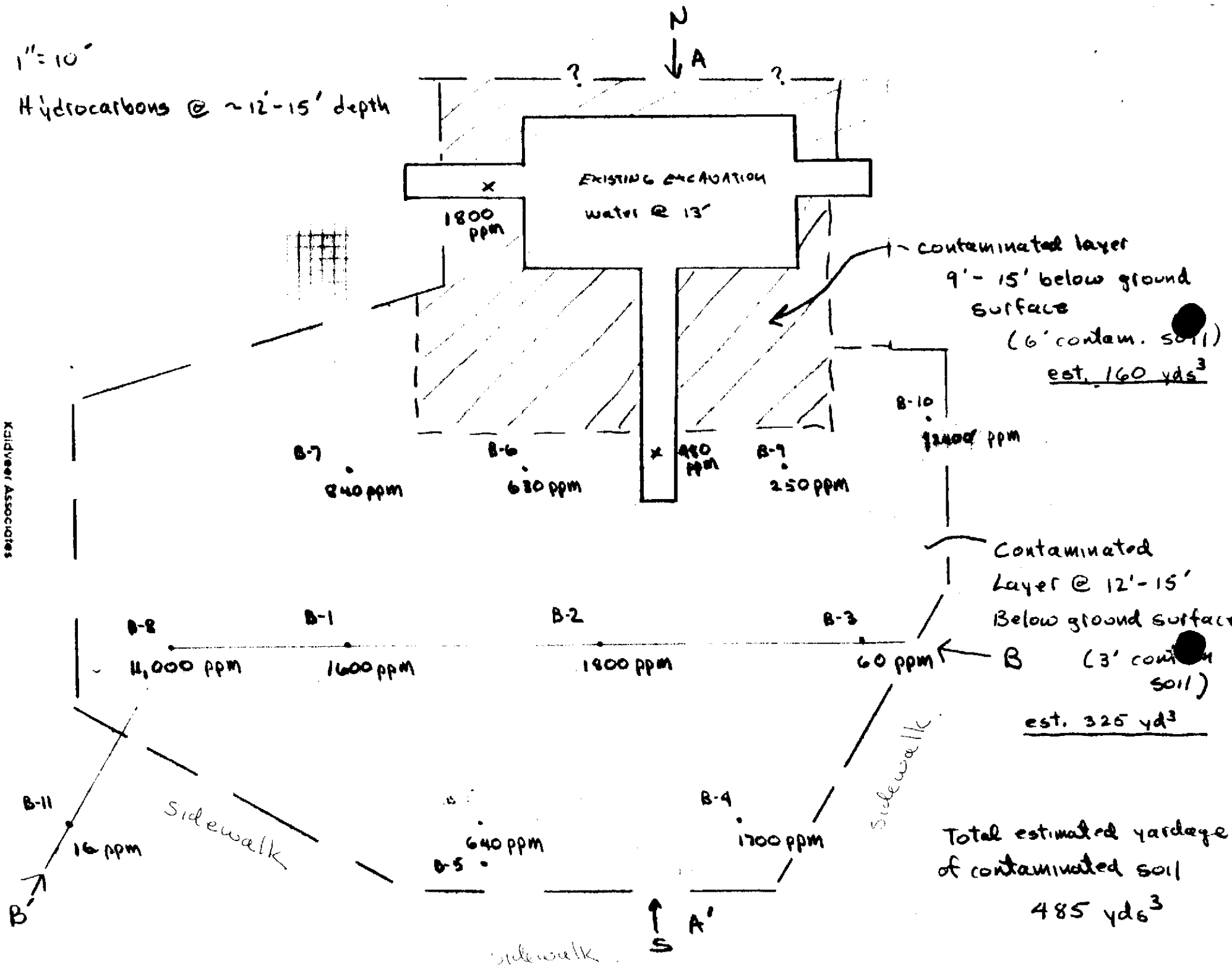
B-4
NO

Hydrocarbons @ 10' depth.

1" = 10'

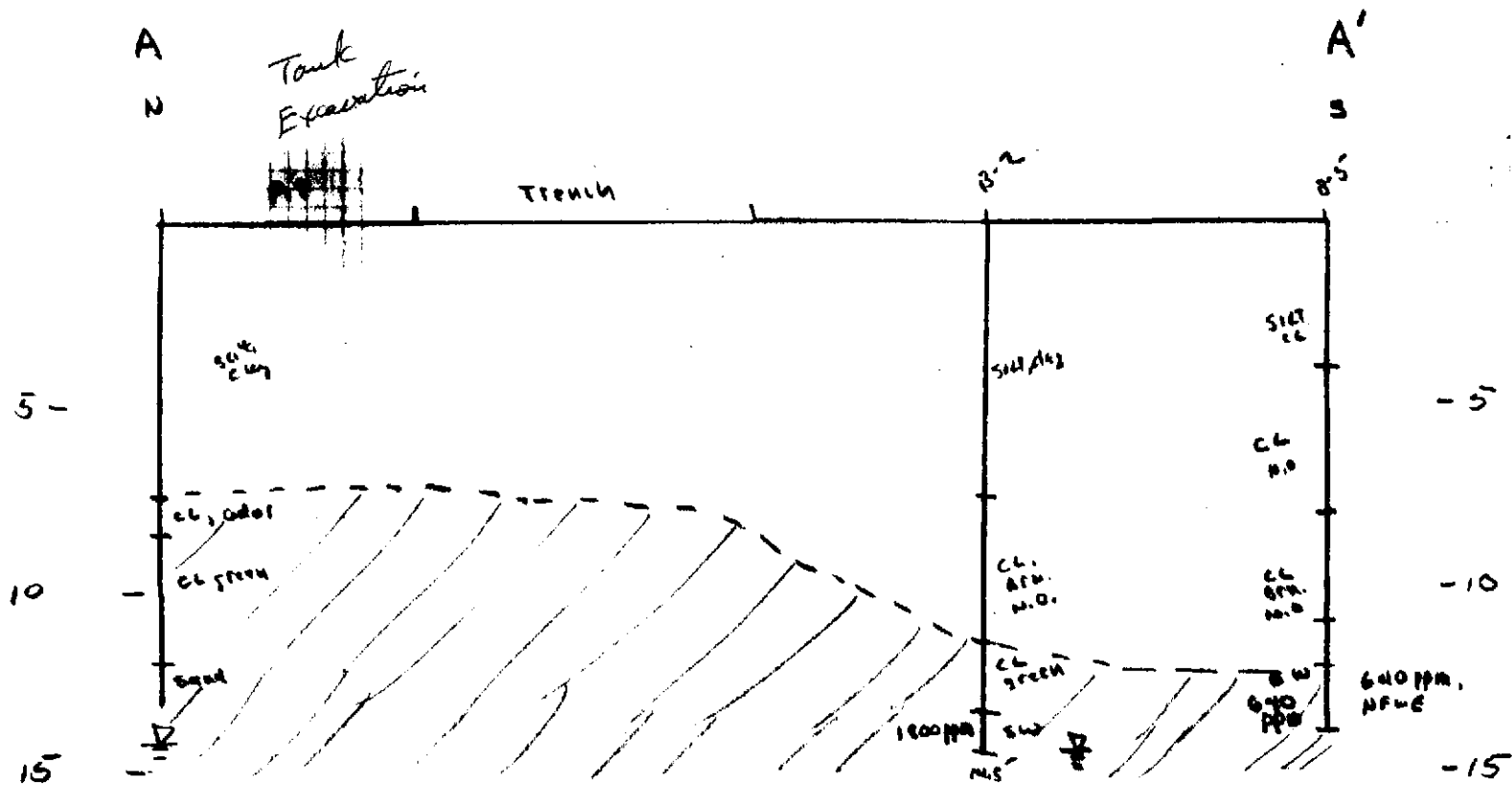
Hydrocarbons @ ~12'-15' depth

Kalidiver Associates

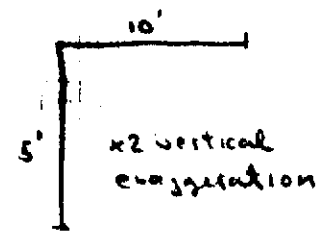
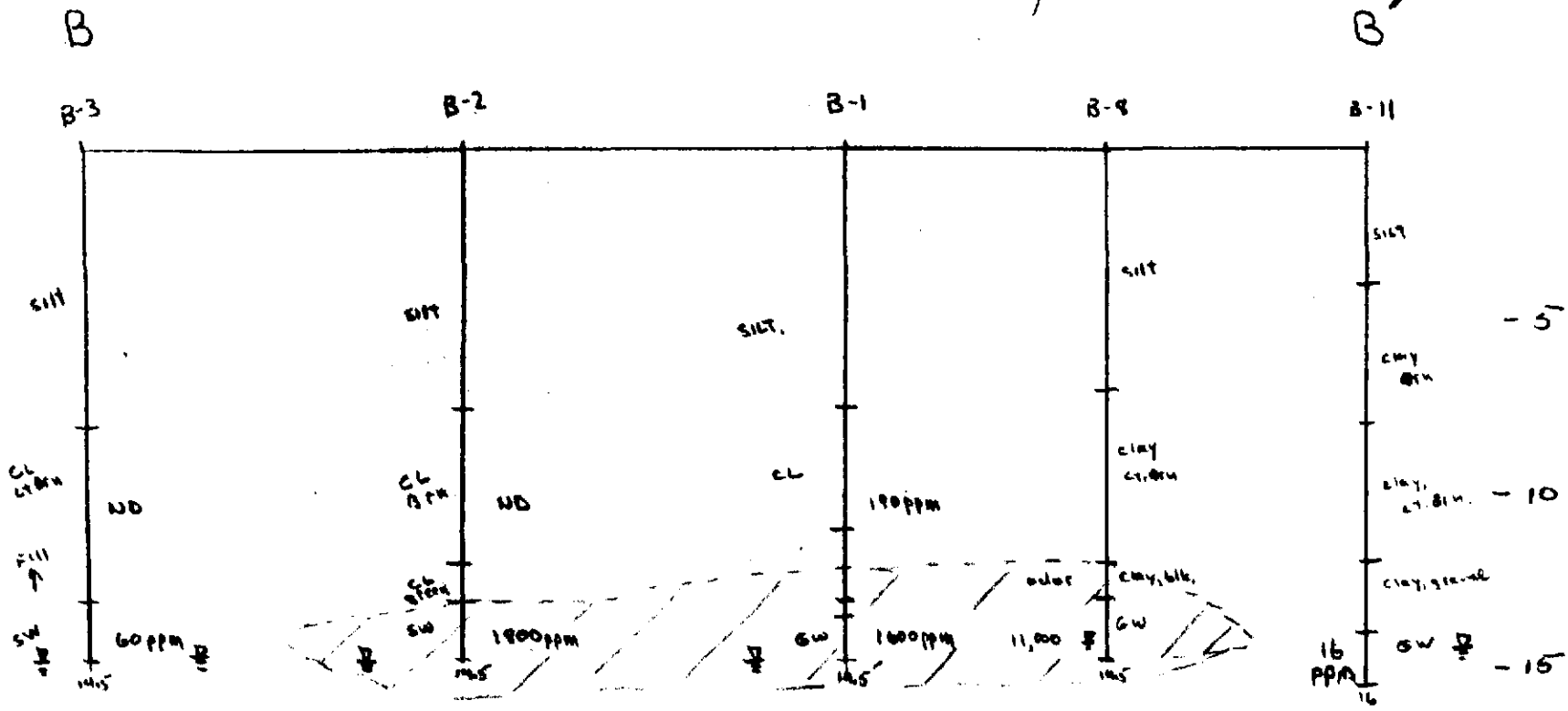


Total estimated yardage of contaminated soil
485 yds³

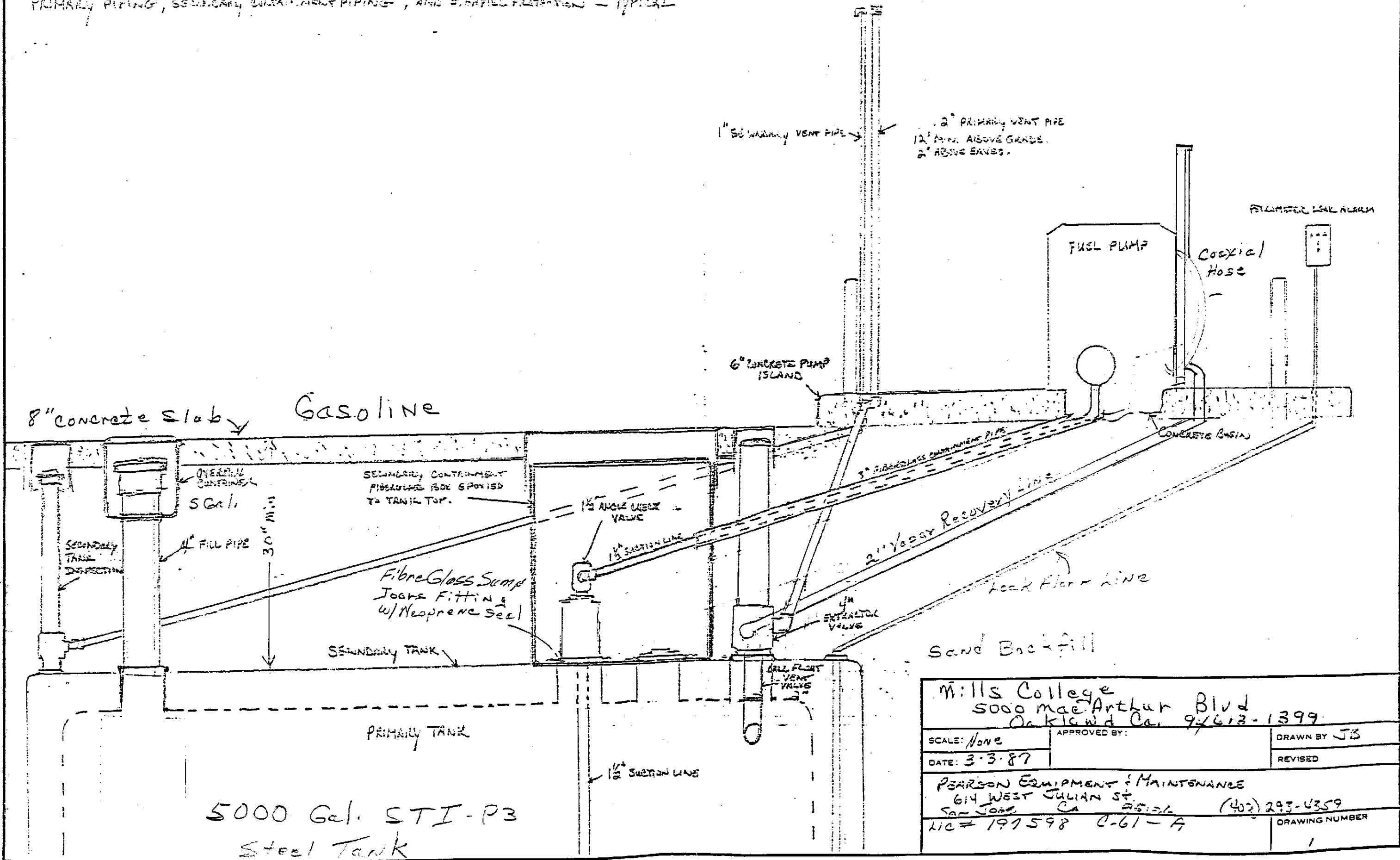
KINDRED ASSOCIATES



Ground Water 13'-15'
 Samples taken @ 13'

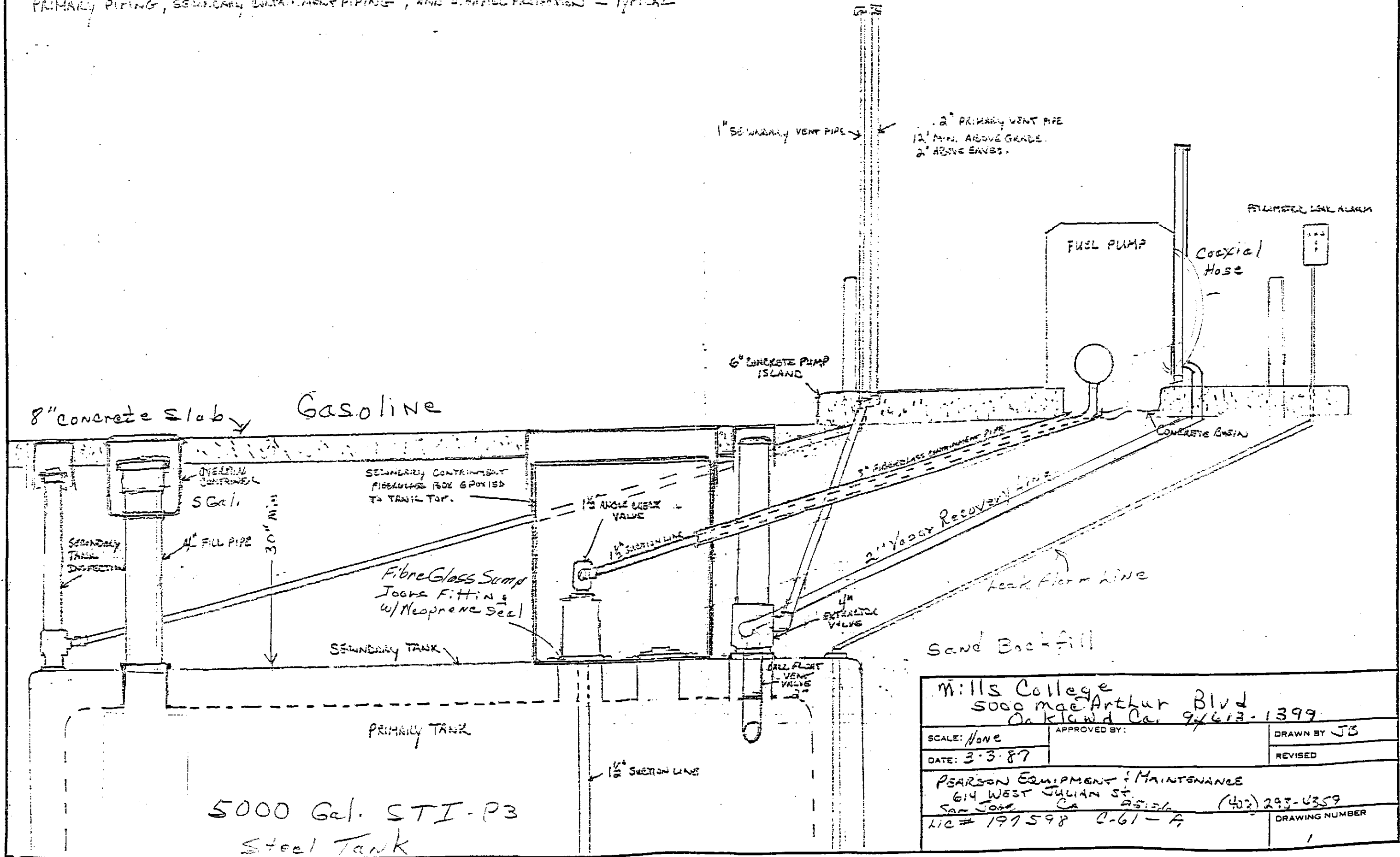


PRIMARY PIPING, SECONDARY CONTAINMENT PIPING, AND AIR/FUEL FILTRATION - TYPICAL

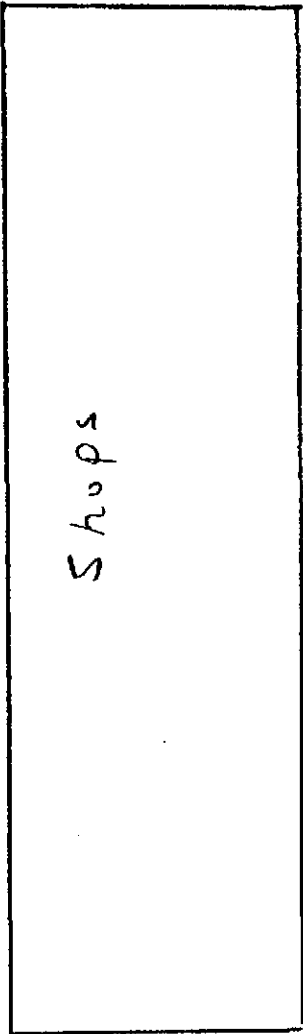


Mills College 5000 MacArthur Blvd Oakland, Ca. 94613-1399		
SCALE: None	APPROVED BY:	DRAWN BY JB
DATE: 3-3-87		REVISED
PEARSON EQUIPMENT & MAINTENANCE 614 WEST JULIAN ST. SAN JOSE, CA 95128 (408) 293-6359		
LIC # 191598 C-61-A		DRAWING NUMBER 1

PRIMARY PIPING, SECONDARY CONTAINMENT PIPING, AND SORBENT FILTRATION - TYPICAL



Mills College 5000 MacArthur Blvd Oakland, Ca 94613-1399		
SCALE: None	APPROVED BY:	DRAWN BY JB
DATE: 3-3-87		REVISED
PEARSON EQUIPMENT & MAINTENANCE 614 WEST JULIAN ST. SAN JOSE, CA 95128 (408) 293-6359		
LIC # 191598 C-61-A		DRAWING NUMBER 1

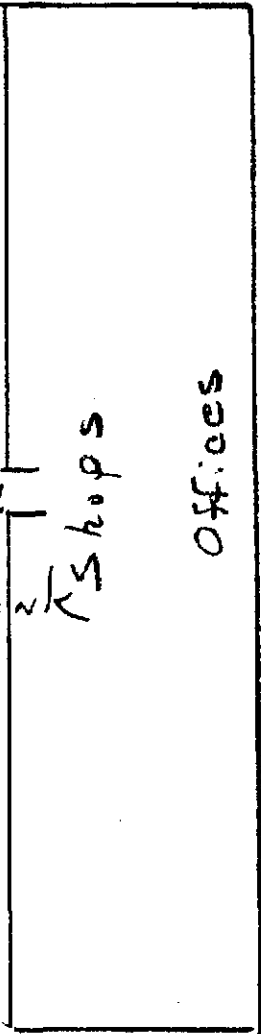


Shops

Existing 1000 Gal.
Gas Tank



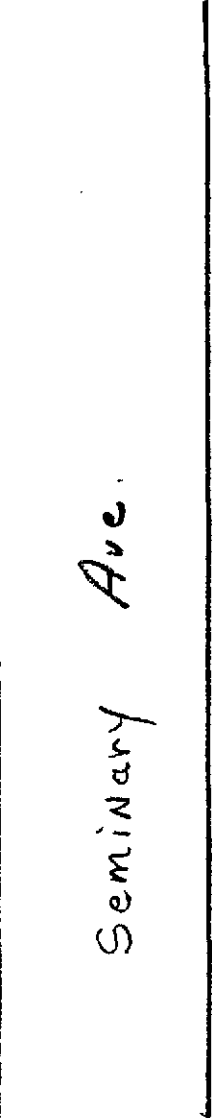
Proposed 5000 Gal.
Steel Double
Walled STI-P3 Tank



Shops

Offices

Parking



Seminary Ave.



Mills College 5000 MacArthur Blvd. Oakland, Calif.		
SCALE: 1" = 40'	APPROVED BY:	DRAWN BY DD
DATE: 7-1-88		REVISED
Contr. Pearson Equip. + Maint Co 614 W. Julian St. San Jose, Calif.		
Lic # 197598 C-61-A		DRAWING NUMBER