

Alameda County CUPA Program
Contaminated Site Case Transfer Form

Referral To:

Date	October 3, 2006
Agency	Alameda County Environmental Health, 1131 Harbor Bay Parkway, Alameda, CA 94502
Attention	Donna L. Drogos, LOP/SLIC Program Manager

Site Information:

Site Responsible Party(s) City of Dublin	
Site Name	Dublin Civic Center
Site Address	100 Civic Center Plaza, Dublin
Site Phone	(925) 833-6627
Site Contractor/Consultant (if available)	American Construction
Site DBA	n/a

Site Conditions:

UST	
USTs removed? # removed: <u>1</u> Date removed: May 1, 2006	Yes <input checked="" type="checkbox"/> No <input type="checkbox"/>
Contents (circle): gasoline diesel waste oil heating oil solvents kerosene stoddard solvent other (specify) _____	Yes <input checked="" type="checkbox"/> No <input type="checkbox"/>
Observations of system (holes, leaks)?	Yes <input type="checkbox"/> No <input checked="" type="checkbox"/>
Observed contamination (free product, Strong Odor , soil/water discoloration)?	Yes <input checked="" type="checkbox"/> No <input type="checkbox"/>
Detectable concentrations of soil and/or groundwater contamination? <input checked="" type="checkbox"/> Highest Concentration Detected in Soil Contaminant (specify) ND <input checked="" type="checkbox"/> Highest Concentration Detected in Water Contaminant (specify) ND	Yes <input type="checkbox"/> No <input checked="" type="checkbox"/> VERY UNLIKELY RESULT!
Unauthorized Release Form filed? <i>form provided, submittal pending</i>	Yes <input type="checkbox"/> No <input checked="" type="checkbox"/>
Future intended use if known?	Yes <input type="checkbox"/> No <input type="checkbox"/>
NON-UST	
Former industrial use?	Yes <input type="checkbox"/> No <input type="checkbox"/>
Detectable concentrations of soil and/or groundwater contamination? o Highest Concentration Detected in Soil Contaminant (specify) _____ Concentration _____ ppm o Highest Concentration Detected in Water Contaminant (specify) _____ Concentration _____ ppb	Yes <input type="checkbox"/> No <input type="checkbox"/>
Future intended use if known? Specify _____	Yes <input type="checkbox"/> No <input type="checkbox"/>
<i>If available, attach pertinent reports</i>	

Transferred as: LOP SLIC

Level of Update requested: distribution list all meetings all site visits closure sign off all the above

Transfer requested by Inspector: Robert Weston  Date: October 3, 2006

Transfer accepted by (ACEH):  Date: 12/8/06

COUNTY OF ALAMEDA UNDERGROUND TANK SYSTEM CLOSURE INSPECTION REPORT

For Use By the County of Alameda, Environmental Health

SR 0009443

Facility Name: City of Dublin Contractor's name: American Construction

Address: 100 Civic Center Plaza City: Dublin Zip: _____

Project Contact: DAN HEAD Phone No.: (____) _____

Tank ID No.					
Size	10,000 G	gasoline			
Construction Material	FRP				
Single/Double Wall	DW				
Backfill Type					
Oxygen <10%	6.2	9:00 5-1-06			
LEL <20%	0	9:00 5-1-06			
Tank Condition	AS NEW w/ A FEW SCRAPS FROM REMOVAL				
Soil/Groundwater Condition	GRND H2O STABLE @ 13'				
Soil Sample Depth	SIDE WALLS 3 @ 13'		DISPENSEN @ 5'		
Number and Description of Soil/Groundwater Samples (Indicate Sample Locations on Site Plan.)	ONE H2O SAMPLE NO VOAS, 3202 JAN		SANDY BACKFILL		

Disposition of Tank Contents: _____ Piping: Rinsed/Tested/Capped. Rinsate: Shipped on Manifest.

Tank & Piping Transport: Shipped on Manifest; Transporter Name Same as on Application.

Sampling: Evidence Tape; Chain of Custody; Samples Refrigerated; Pipeline Samples Taken Yes, No (If no, explain why in Comments.)

Soil: Soil Stored on Bermed Plastic & Covered; Soil Returned to Excavation. Site Plan: Attached.

Comments/Special Conditions: ICE NOT ON JOB SITE. GIVEN W/ CITY SUPPLIES ICE.
SIDES OF EXCAVATION VERY UNSTABLE, H2O @ 13'. 3 SIDES TAKEN. ONE CASE IN HAD STRONG ODOR.

Inspector: DW Agency: ACDENT Date: 5-1-2006 Start Time: 8:30 Stop Time:

Signature of Contractor/Authorized Agent: _____ Date: 9:00 - 12:00 Page _____ of _____

ALAMEDA COUNTY
 DEPARTMENT OF ENVIRONMENTAL HEALTH
 1131 HARBOR BAY PARKWAY
 ALAMEDA, CA 94502-6577
 PHONE (510) 567-6700

ACCEPTED

Ground Storage Tank Closure Permit Application
 Alameda County Division of Hazardous Materials
 1131 Harbor Bay Parkway, Suite 250
 Alameda, CA 94502-6577

These closure/removal plans have been received and found to be acceptable and essentially meet the requirements of State and Local Health Laws. Changes to your closure plans indicated by this Department are to assure compliance with State and local laws. The project proposed herein is now released for issuance of any required building permits by construction/destruction.

One copy of the accepted plans must be on the job and available to all contractors and craftsmen involved with the removal.

Any changes or alterations of these plans and specifications must be submitted to this Department and to the Fire and Building Inspections Department to determine if such changes meet the requirements of State and local laws. Notify this Department at least 72 hours prior to the following required inspections:



Issuance of a permit to operate, by permanent site closure, is dependent on compliance with accepted plans and all applicable laws and regulations.

THERE IS A FINANCIAL PENALTY FOR NOT OBTAINING THESE INSPECTIONS!

Contact Specialist

Accepted April 17, 2006
 Robert Weston (510) 567-6781
 Site safety plan required to be on site at all times.

UNDERGROUND STORAGE TANK CLOSURE PLAN

*** Complete closure plan according to instructions ***

- Name of Business City of Dublin
 Business Owner or Contact Person (PRINT) Ginger Russell
- Site Address 100 Civic Plaza
 City, State Dublin Zip 94568 Phone (925) 833-6630
- Mailing Address 100 Civic Plaza
 City, State Dublin Zip 94568 Phone (925) 833-6630
- Property Owner City of Dublin
 Business Name (if applicable) (Same)
 Address 100 Civic Plaza
 City, State Dublin Zip 94568 Phone (925) 833-6630
- Generator name under which tank will be manifested
City of Dublin
 EPA I.D. No. under which tank(s) will be manifested CAC002602502
- Contractor American Construction & Environmental Services
 Address 601-B First Street

APRIL 11, 2006

 SR0009443

- City, State Brentwood Zip 94523 Phone (925) 516-5800
License Type A, B - HAZ Cert. ID# 7022141
7. Consultant (if applicable) ENV America Incorporated
Address 244 California Street, Suite 500
City, State SAN FRANCISCO Zip 94111 Phone (415) 989-9933
8. Main Contact Person for Investigation (if applicable)
Name Richard Nickerson Title Director of Construction
Company ENV America Incorporated
Phone (415) 989-9933
9. Number of underground tanks being closed with this plan (1) one.
Length of piping being removed under this plan Approximately 15 LF
Total number underground tanks at this facility (confirmed with owner or operator) (1) one
10. State Registered Hazardous Waste Transporters/Facilities (See Instructions).
- a) Product/Residual Sludge/Rinsate Transporter
Name Ecology Control Industries EPA I.D. No. CAD 981030173
Hauler License No. 1533 License Exp. Date 8/15/06
Address 255 Parr Blvd.
City, State Richmond, CA Zip 94801
- b) Product/Residual Sludge/Rinsate Disposal Site
Name Tomic Environmental EPA I.D. No. CAD 009452652
Address 2081 Bay Road
City, State E. Palo Alto, CA Zip 94303

c) Tank and Piping Transporter

Name Ecology Control Industries EPA I.D. No. CAD 981030173
Hauler License No. 1533 License Exp. Date 8/15/06

Address 255 Parr Blvd
City, State Richmond, CA Zip 94801

d) Tank and Piping Disposal Site

Name Ecology Control Industries EPA I.D. No. CAD009466392

Address 255 Parr Blvd.
City, State Richmond, CA Zip 94801

11. Sample Collector

Name American Construction & Environmental Services

Company DAN HEAD

Address 601-B First Street

City, State Brentwood, CA Zip 94513 Phone (925) 584-5026

12. Laboratory

Name AMERISCI LOS ANGELES (2322)

24416 S MAIN STREET SUITE 308

Address CARSON, CA 90745

City, State _____ Zip _____

State Certification No. [REDACTED]

13. Have tank(s) or piping leaked in the past? Yes [] No [] Unknown

If yes, describe: _____

14. Describe method(s) to be used for rendering tank(s) inert:

Pressure wash piping and UST after removing residual fuel. Inert UST with 30lbs dry ice per 1,000 Gallons Volume.

Before tank(s) are pumped out and inerted, all associated piping must be flushed back into the tank(s). All accessible piping must then be removed. Inaccessible piping must be permanently plugged using grout.

The Bay Area Air Quality Management District, (415) 771-6000, along with local Fire and Building Departments, must also be contacted for tank removal permits. Fire departments typically require the use of a combustible gas indicator to verify tank inertness. It is the contractor's responsibility to have a functional combustible gas indicator on-site to verify that the tank(s) is inerted.

15. Tank History and Sampling Information (See Instructions)

Tank		Material to be sampled (tank contents, soil, groundwater)	Location and Depth of Sample(s)
Capacity (gallons)	Use History include date last used (estimated)		
10,000 gals.	March 2006	Soil Groundwater if Present	UST - Each end 2' in Native Soil At Soil/water Interface Under dispenser 2' in Native Soil

One soil sample must be collected for every 20 linear feet of underground piping that is removed. A groundwater sample must be collected if any groundwater is present in the excavation.

Excavated/Stockpiled Soil	
<p>Stockpiled Soil Volume (estimated)</p> <p>125 to 150 cy</p>	<p>Sampling Plan</p> <p>1 sample/50cy volume</p>

Stockpiled soil must be placed on bermed plastic and must be completely covered by plastic sheeting.

Will the excavated soil be returned to the excavation immediately after tank removal? yes no unknown

If yes, explain reasoning _____

If unknown at this point in time, please be aware that excavated soil may not be returned to the excavation without prior approval from this office. This means that the contractor, consultant, or responsible party must communicate with the Specialist IN ADVANCE of backfilling activities.

TABLE #2
REVISED 21 NOVEMBER 2003

**RECOMMENDED MINIMUM VERIFICATION ANALYSES FOR
UNDERGROUND TANK LEAKS**

<u>HYDROCARBON LEAK</u>	<u>SOIL ANALYSIS</u> (SW-846 METHOD)		<u>WATER ANALYSIS</u> (Water/Waste Water Method)	
Gasoline (Leaded and Unleaded)	TPHG	8015M or 8260	TPHG	8015M or 524.2/624 (8260)
	BTEX	8260	BTEX	524.2/624 (8260)
	EDB and EDC	8260	EDB and EDC	524.2/624 (8260)
	MTBE, TAME, ETBE, DIPE, TBA, and EtOH by 8260 for soil and 524.2/624 (8260) for water			
	TOTAL LEAD	AA	TOTAL LEAD	AA
	--Optional--			
	Organic Lead	DHS-LUFT	Organic Lead	DHS-LUFT
Unknown Fuel	TPHG	8015M or 8260	TPHG	8015M or 524.2/624 (8260)
	TPHD	8015M or 8260	TPHD	8015M or 524.2/624 (8260)
	BTEX	8260	BTEX	524.2/624 (8260)
	EDB and EDC	8260	EDB and EDC	524.2/624 (8260)
	MTBE, TAME, ETBE, DIPE, TBA, and EtOH by 8260 for soil and 524.2/624 (8260) for water			
TOTAL LEAD	AA	TOTAL LEAD	AA	
	--Optional--			
	Organic Lead	DHS-LUFT	Organic Lead	DHS-LUFT
Diesel, Jet Fuel, Kerosene, and Fuel/Heating Oil	TPHD	8015M or 8260	TPHD	8015M or 524.2/624 (8260)
	BTEX	8260	BTEX	524.2/624 (8260)
	EDB and EDC	8260	EDB and EDC	524.2/624 (8260)
	MTBE, TAME, ETBE, DIPE, TBA, and EtOH by 8260 for soil and 524.2/624 (8260) for water			
Chlorinated Solvents	CL HC	8260	CL HC	524.2/624 (8260)
	BTEX	8260 or 8021	BTEX	524.2/624 (8260) or 502.2/602 (8021)
	1,4-Dioxane	8270M	1,4-Dioxane	8270M
Nonchlorinated Solvents	TPHD	8015M or 8260	TPHD	8015M or 524.2/624 (8260)
	BTEX	8260 or 8021	BTEX	524.2/624 (8260) or 502.2/602 (8021)
Waste, Used, or Unknown Oil	TPHG	8015M or 8260	TPHG	8015M or 524.2/624 (8260)
	TPHD	8015M or 8260	TPHD	8015M or 524.2/624 (8260)
	O&G	9070	O&G	418.1
	BTEX	8260	BTEX	524.2/624 (8260)
	CL HC	8260	CL HC	524.2/624 (8260)
	1,4-Dioxane	8270M	1,4-Dioxane	8270M
	EDB and EDC	8260	EDB and EDC	524.2/624 (8260)
	MTBE, TAME, ETBE, DIPE, TBA, and EtOH by 8260 for soil and 524.2/624 (8260) for water			
	METALS (Cd, Cr, Pb, Ni, Zn) by ICAP or AA for soil water			
	PCB*, PCP*, PNA, CREOSOTE by 8270 for soil and 524/625 (8270) for water			
	* If found, analyze for dibenzofurans (PCBs) or dioxins (PCP)			

NOTES:

1. 8021 replaces old methods 8020 and 8010
2. 8260 replaces old method 8240
3. Reference: Table B-1 in Appendix B of "Expedited Site Assessment Tools for Underground Storage Tank Sites: A Guide for Regulators" (EPA 510-B-97-001).

16. Chemical methods and associated detection limits to be used for analyzing sample(s):

The Tri-Regional Board recommended minimum verification analyses and practical quantitation reporting limits shall be followed.

See Table 2, Recommended Minimum Verification Analyses for Underground Tank Leaks.

Contaminant Sought	EPA or Other Sample Preparation Method Number	EPA or Other Analysis Method Number	Method Detection Limit
<i>Gasoline</i>	<i>TPH → GAS</i>	<i>5030/8020/8015</i>	<i>1.0 mg/kg</i>
<i>BTEX-Fuel Oxygenates</i>		<i>8260</i>	<i>.005 mg/kg</i>
<i>Total Lead</i>		<i>6010</i>	<i>5.0 mg/kg</i>

17. Submit Site Health and Safety Plan (See Instructions)
18. Submit copy of Worker's Compensation Certificate
 Name of Insurer *Republic Ind. of America 15687604*
19. Submit Plot Plan (See Instructions)
20. Enclose Fee (See Instructions)
21. **Report all leaks or contamination to this office within 5 days of discovery.**
 The written report shall be made on an Underground Storage Tank Unauthorized Leak/Contamination Site Report (URL) form.
22. Submit a closure report to this office within 60 days of the tank removal. The closure report must contain all information listed in item 22 of the instructions.
23. Submit State (Underground Storage Tank Permit Application) Forms A and B (one-B form for each UST to be removed) (mark box 8 for "Tank Removed" in the upper right hand corner, if applicable).

I declare that to the best of my knowledge and belief that the statements and information provided above are correct and true.

I understand that information, in addition to that provided above, may be needed in order to obtain approval from the Department of Environmental Health and that no work is to begin on this project until this closure plan has been approved.

I understand that any changes in design, materials, or equipment will void this plan if prior approval is not obtained.

I understand that all work performed during this project will be done in compliance with all applicable OSHA (Occupational Safety and Health Administration) requirements concerning personnel health and safety. I understand that site and worker safety are solely the responsibility of the property owner or his agent and that this responsibility is not shared nor assumed by the County of Alameda.

Once I have received my stamped, accepted closure plan, I will contact the project Hazardous Materials Specialist at least three working days in advance of site work to schedule the required inspections.

CONTRACTOR INFORMATION

Name of Business American Construction & Environmental Services
Name of Individual Dan Head
Signature Dan Head Date 4-7-06

PROPERTY OWNER OR [] MOST RECENT TANK OWNER (Check one)

Name of Business City of Dublin
Name of Individual Ginger Russell
Signature Ginger Russell Date 4/7/06



License Detail

CALIFORNIA CONTRACTORS STATE LICENSE BOARD

Contractor License # 702214

DISCLAIMER

A license status check provides information taken from the CSLB license data base. Before relying on this information, you should be aware of the following limitations:

- CSLB complaint disclosure is restricted by law (B&P 7124.6). If this entity is subject to public complaint disclosure, a link for complaint disclosure will appear below. Click on the link or button to obtain complaint and/or legal action information.
- Per B&P 7071.17, only construction related civil judgments reported to the CSLB are disclosed.
- Arbitrations are not listed unless the contractor fails to comply with the terms of the arbitration.
- Due to workload, there may be relevant information that has not yet been entered onto the Board's license data base.

Extract Date: 04/17/2006

***** Business Information *****

AMERICAN CONSTRUCTION & ENVIRONMENTAL SERVICES INC
601 B FIRST STREET #23
BRENTWOOD, CA 94513
Business Phone Number: (925) 516-5800

Entity: Corporation

Issue Date: 02/01/1995 Reissue Date: 12/10/1997 Expire Date: 12/31/2007

***** License Status *****

This license is current and active. All information below should be reviewed.

***** Classifications *****

Class	Description
D28	DOORS, GATES AND ACTIVATING DEVICES
A	GENERAL ENGINEERING CONTRACTOR
B	GENERAL BUILDING CONTRACTOR

***** Certifications *****

Cert	Description
HAZ	HAZARDOUS SUBSTANCES REMOVAL

***** Bonding Information *****

CONTRACTOR'S BOND: This license filed Contractor's Bond number **9046861** in the amount of **\$10,000** with the bonding company **AMERICAN CONTRACTORS INDEMNITY COMPANY.**
Effective Date: **01/01/2004**

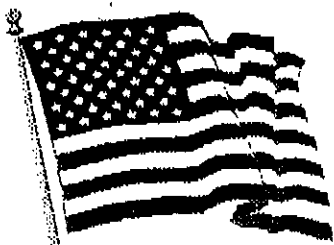
Contractor's Bonding History

BOND OF QUALIFYING INDIVIDUAL(1): The Responsible Managing Officer (RMO) **DAVID BAILEY NEFF** certified that he/she owns 10 percent or more of the voting stock/equity of the corporation. A bond of qualifying individual is **not** required.
Effective Date: **03/23/2001**

BQI's Bonding History***** Workers Compensation Information *****

This license has workers compensation insurance with the **REPUBLIC INDEMNITY COMPANY OF AMERICA**
Policy Number: **15687604** Effective Date: **10/01/2005** Expire Date: **10/01/2006**

Workers Compensation History**Personnel List****License Number Request****Contractor Name Request****Personnel Name Request****Salesperson Request****Salesperson Name Request**© 2006 State of California. [Conditions of Use](#) [Privacy Policy](#)



FAX COVER PAGE

AMERICAN CONSTRUCTION & ENVIRONMENTAL SERVICES, INC. 601-B FIRST STREET, SUITE 23 BRENTWOOD, CA 94513 (925) 516-5800 FAX (925) 516-5858

DATE: 4/17/06

TO: Robert Weston

COMPANY: Alameda County Health Dept

NO. OF PAGES:

Including Cover Page

FAX #: ()

PHONE: (510) 567-6781

FROM: Bastien Jeff

SUBJECT: Certified Lab

NOTES: Attached is Ameri Sci letter of Jan. 28, 2004, explaining the change of name.

Dates Available

April Tues 4/25

Wed 4/26

MAY

MON 5/1

TUES 5/2

Wed 5/3

P.M. of Thursday 5/4

The information contained in this facsimile transmissions is intended only for the personal and confidential use of the recipient named above. If you have received this communication in error, please notify us immediately by telephone. Thank you.

(X) ORIGINAL WILL NOT FOLLOW

() ORIGINAL WILL FOLLOW BY:

REGULAR MAIL

CERTIFIED/RETURN RECEIPT

EXPRESS MAIL/OVERNIGHT CARRIER

() TELEPHONE TO CONFIRM RECEIPT OF FAX

FAX #: (510) 337-9335



January 28, 2004

Mr. Bailey Neff
American Construction & Environmental Services, Inc.
613 First Street, Suite 23
Brentwood, CA 94513
Tel: (925) 516-5800 • Fax: (925) 516-5858

03356 -

Dear Bailey,

It was a great pleasure to talk to you early today. Thank you for requesting price quotation for you upcoming project. According to the information you provided, the following is price quote you requested:

<u>Analytical Method</u>	<u>Sample Matrix</u>	<u>Turn-Around-Time</u>	<u>Unit Price</u>
8015M / Gasoline	Soil / Water	48 Hrs	\$61.00
8015M / Diesel	Soil / Water	48 Hrs	\$64.00
8260B *	Soil / Water	48 Hrs	\$128.50

\$243.50 x 8 = 1948

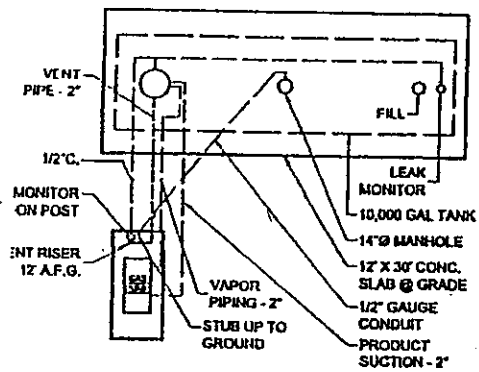
* EPA Method 8260B includes MTBE, TAME, DIPE, TBA, EDB, & BTEX.

AmeriSci Los Angeles, formerly Scientific Laboratories of California, is certified by the State of California Department of Health Services Environmental Laboratory Accreditation Program (CA ELAP) for the analyses of volatile organics, petroleum UST (gasoline, diesel, motor oil, etc.), and metals in the solid waste, and wastewater. We are also certified by the American Industrial Hygiene Association (AIHA) for lead in air, dust wipe, paint, and soil, and by the National Institute of Standards and Technology (NIST) National Voluntary Laboratory Accreditation Program (NVLAP) for asbestos testing by TEM, PCM, and PLM.

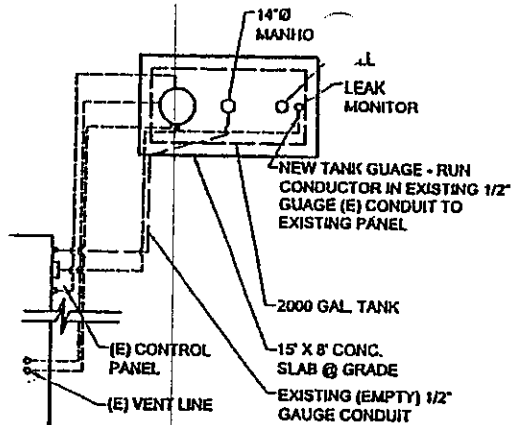
AmeriSci Los Angeles provides a standard turn around time of FIVE business days. Should you have any question, please feel free to contact me toll free at 888-724-5226. We are looking forward to continuously providing American Construction & Environmental Services with our exceptional, quality laboratory services. Thank you for choosing AmeriSci Los Angeles.

Best Regards,

Jick J. Chen
Laboratory Director
e-mail: jchen@amerisci.com



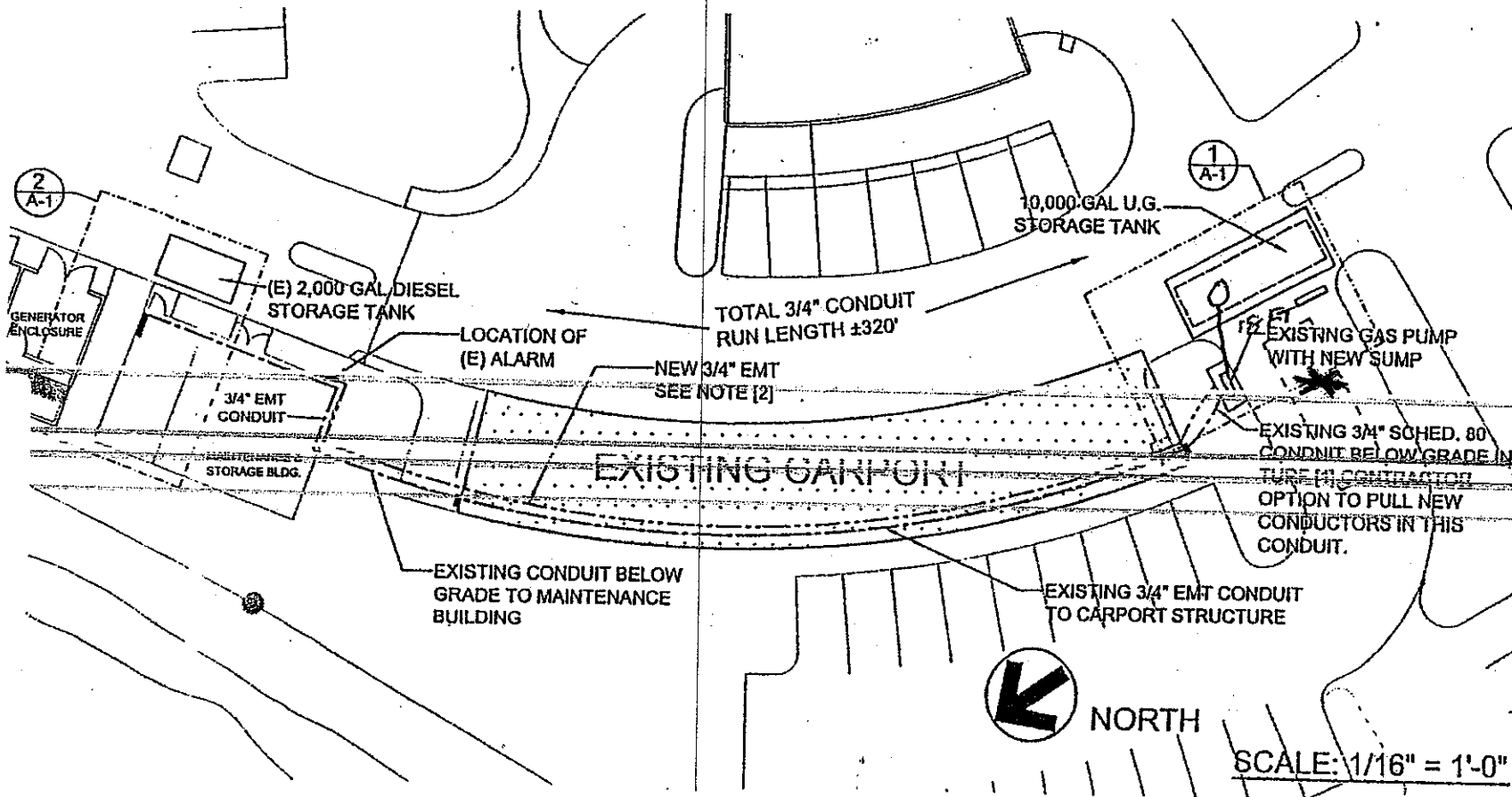
1 10,000 GALLON TANK - EXISTING [3]
PIPING & CONDUIT RUNS
SCALE: 1/8" = 1'-0"



2 2,000 GALLON TANK - EXISTING
PIPING & CONDUIT RUNS
SCALE: 1/8" = 1'-0"

NOTES:

- [1] AT CONTRACTOR OWN RISK, HE MAY PULL NEW DISPENSER SUMP CONDUCTOR THROUGH EXISTING 3/4" CONDUIT.
- [2] CONTRACTOR TO PROVIDE 3/4" EMT FROM EXISTING ALARM PANEL TO UNDER DISPENSER SUMP, INCLUDING UNDERGROUND INSTALLATION IN TURF AND PAYEMENT AREA.
- [3] TANK TO REMAIN. ALL PIPING TO BE REMOVED AND REPLACED PER SPECIFICATION.



SCALE: 1/16" = 1'-0"

**CIVIC CENTER FUEL TANK UPGRADE
PHASE 2
CITY OF DUF'IN**

Date:	September 23, 2002
Checked By:	MH
Drawn By:	SC
Scale:	AS SHOWN
Sheet:	A-1
Sheet Title:	EXISTING SITE CONDITION PLAN
Job NO.:	02113.02

(1/2 HALF SIZED)

**APPENDIX B
SITE LOCATION PLAN**

LARGE MAPS NOT SCANNED

PLEASE SEE PHYSICAL FOLDER



AMERICAN CONSTRUCTION & ENVIRONMENTAL SERVICES, INC

601-B First Street, Suite 23, Brentwood, CA 94513
(925) 516-5800 • (925) 516-5858 fax • www.acescorp.com

LETTER OF TRANSMITTAL

TO: Alameda County Environmental Health
Attn: Rob Weston
1131 Harbor Bay Parkway
Alameda, CA

DATE: April 10, 2006

PROJECT NO: 06317

FACILITY: City of Dublin

LOCATION: 100 Civic Plaza, Dublin, CA

WE ARE SENDING YOU:

- INVOICES SPECIFICATIONS WORK ORDER REPORT
- ADDENDUM PLANS CHANGE ORDER X OTHER

COPIES	DATE	NUMBER	DESCRIPTION
3	4/10/06		Permit Application
3	4/10/06		Site Safety Plan
3	4/10/06		Site Plan
3	4/10/06		Workers Comp Certificate
3	4/10/06		Copy of Contractors License
1	4/10/06		Check #8856

- FOR SIGNATURE APPROVED AS SUBMITTED RESUBMIT ___ COPIES FOR APPROVAL
- X FOR PAYMENT APPROVED AS NOTES SUBMIT ___ COPIES FOR DISTRIBUTION
- AS REQUESTED RETURNED FOR CORRECTIONS RETURN ___ CORRECTED PRINTS
- FOR APPROVAL X FOR REVIEW AND COMMENT **FOR BIDS DUE** _____
- X FOR APPROVAL AND RETURN FOR YOUR USE

Remarks _____

Signed: Dan Head

APR 11 AM 9:58



Home | Customer Login | COC Forms | Jobs | Contact | Links

- AmeriSci Overview ▶
- Asbestos Microscopy ▶
- Environmental Chemistry ▶
- Environmental Microbiology

Environmental Chemistry Certifications/Accreditations

AmeriSci maintains many state certifications, which allows us to offer our clients national service for projects at various sites throughout the country. In order to sustain these multiple certifications, AmeriSci participates in a number of single-blind performance evaluation (PE) sample programs and undergoes audits from regulatory representatives at frequency of several times per year.

Agency	AmeriSci MA	AmeriSci CA
AIHA ELLAP		100530
Department of Agriculture	S-46099	S-53575
California DOHS	2301	2322
California NELAP	01139CA	Pending
Connecticut DPH	PH-0119	
Massachusetts DEP	MA069	
New Hampshire DES	201199	
New Jersey NELAP	MA744	
New York State DOH	10982	
New York NELAP	MA00069	
Rhode Island DOH	201	

Please see certification for parameter list.

AmeriSci Overview | Asbestos Microscopy | Environmental Chemistry | Environmental Microbiology

AMERICAN CONSTRUCTION
& ENVIRONMENTAL SERVICES, INC.
601 B FIRST STREET, SUITE 23
BRENTWOOD, CA 94513

BANK OF THE WEST
BRENTWOOD, CA 94513
90-7871211

8856

4-10-06

PAY TO THE
ORDER OF

Treasurer - Alameda County

\$ 835.00

Eight Hundred Thirty-Five and 00/100

DOLLARS

MEMO

06317

DBM

⑈008856⑈ ⑆121100782⑆ 173002767⑈

AMERICAN CONSTRUCTION & ENVIRONMENTAL SERVICES, INC.

8856

AMERICAN CONSTRUCTION & ENVIRONMENTAL SERVICES, INC.

8856

PAYMENT
RECORD

American Construction & Environmental Services, Inc.

601-B First Street, Suite 23

Brentwood, CA 94513

(925) 516-5800 • Fax (925) 516-5858 • www.acescorp.com

Date: Sept 7, 2006

To Whom It May Concern:

This letter is to authorize the person whose name is designated below, to act as an agent in behalf of American Construction & Environmental Services, Inc., Federal Tax ID #94-3217506, for any administrative functions where such authorization is required by a public agency.

Sincerely,



D. Bailey Neff
President

Designated Agent: D O Head

ACORD CERTIFICATE OF LIABILITY INSURANCE

OP ID SM
AMER102

DATE (MM/DD/YYYY)
02/27/06

PRODUCER
California Insurance Center
CA Lic. # 0423393
3697 Mt. Diablo Blvd., #300
Hayette CA 94549
Phone: 925-299-1112 Fax: 925-299-0328

THIS CERTIFICATE IS ISSUED AS A MATTER OF INFORMATION ONLY AND CONFERS NO RIGHTS UPON THE CERTIFICATE HOLDER. THIS CERTIFICATE DOES NOT AMEND, EXTEND OR ALTER THE COVERAGE AFFORDED BY THE POLICIES BELOW.

INSURED
American Construction &
Environmental Services, Inc.
D. Bailey Neff
613 First St., PMB 23
Brentwood CA 94513

INSURERS AFFORDING COVERAGE	NAIC #
INSURER A: Westchester Surplus Lines Ins.	
INSURER B: Republic Ind. Co. of America	
INSURER C: Nationwide Mutual Insurance Co.	
INSURER D:	
INSURER E:	

COVERAGES

THE POLICIES OF INSURANCE LISTED BELOW HAVE BEEN ISSUED TO THE INSURED NAMED ABOVE FOR THE POLICY PERIOD INDICATED. NOTWITHSTANDING ANY REQUIREMENT, TERM OR CONDITION OF ANY CONTRACT OR OTHER DOCUMENT WITH RESPECT TO WHICH THIS CERTIFICATE MAY BE ISSUED OR MAY PERTAIN, THE INSURANCE AFFORDED BY THE POLICIES DESCRIBED HEREIN IS SUBJECT TO ALL THE TERMS, EXCLUSIONS AND CONDITIONS OF SUCH POLICIES. AGGREGATE LIMITS SHOWN MAY HAVE BEEN REDUCED BY PAID CLAIMS.

INSR ADD'L LTR	INSRD	TYPE OF INSURANCE	POLICY NUMBER	POLICY EFFECTIVE DATE (MM/DD/YY)	POLICY EXPIRATION DATE (MM/DD/YY)	LIMITS	
A		GENERAL LIABILITY	G22071221001	02/20/06	02/20/07	EACH OCCURRENCE	\$ 1,000,000
		<input checked="" type="checkbox"/> COMMERCIAL GENERAL LIABILITY				DAMAGE TO RENTED PREMISES (Ea occurrence)	\$ 50,000
		<input type="checkbox"/> CLAIMS MADE <input checked="" type="checkbox"/> OCCUR				MED EXP (Any one person)	\$ 5,000
		<input checked="" type="checkbox"/> Deductible \$5,000				PERSONAL & ADV INJURY	\$ 1,000,000
		GEN'L AGGREGATE LIMIT APPLIES PER:				GENERAL AGGREGATE	\$ 2,000,000
		<input checked="" type="checkbox"/> POLICY <input type="checkbox"/> PRO-JECT <input type="checkbox"/> LOC				PRODUCTS - COMP/OP AGG	\$ 2,000,000
						Pollution	1,000,000
C		AUTOMOBILE LIABILITY	ACPBA7802125619	02/27/06	02/27/07	COMBINED SINGLE LIMIT (Ea accident)	\$ 1,000,000
		<input checked="" type="checkbox"/> ANY AUTO				BODILY INJURY (Per person)	\$
		<input type="checkbox"/> ALL OWNED AUTOS				BODILY INJURY (Per accident)	\$
		<input type="checkbox"/> SCHEDULED AUTOS				PROPERTY DAMAGE (Per accident)	\$
C		<input checked="" type="checkbox"/> HIRED AUTOS					
C		<input checked="" type="checkbox"/> NON-OWNED AUTOS					
		GARAGE LIABILITY				AUTO ONLY - EA ACCIDENT	\$
		<input type="checkbox"/> ANY AUTO				OTHER THAN EA ACC	\$
						AGG	\$
		EXCESS/UMBRELLA LIABILITY				EACH OCCURRENCE	\$
		<input type="checkbox"/> OCCUR <input type="checkbox"/> CLAIMS MADE				AGGREGATE	\$
							\$
		DEDUCTIBLE					\$
		RETENTION \$					\$
B		WORKERS COMPENSATION AND EMPLOYERS' LIABILITY	15687604	10/01/05	10/01/06	<input checked="" type="checkbox"/> WC STATU-TORY LIMITS	OTH-ER
		ANY PROPRIETOR/PARTNER/EXECUTIVE OFFICER/MEMBER EXCLUDED?				E.L. EACH ACCIDENT	\$ 1000000
		If yes, describe under SPECIAL PROVISIONS below				E.L. DISEASE - EA EMPLOYEE	\$ 1000000
		OTHER				E.L. DISEASE - POLICY LIMIT	\$ 1000000

DESCRIPTION OF OPERATIONS / LOCATIONS / VEHICLES / EXCLUSIONS ADDED BY ENDORSEMENT / SPECIAL PROVISIONS

CERTIFICATE HOLDER

CANCELLATION

PROOF OF INSURANCE

SHOULD ANY OF THE ABOVE DESCRIBED POLICIES BE CANCELLED BEFORE THE EXPIRATION DATE THEREOF, THE ISSUING INSURER WILL ENDEAVOR TO MAIL 30 DAYS WRITTEN NOTICE TO THE CERTIFICATE HOLDER NAMED TO THE LEFT, BUT FAILURE TO DO SO SHALL IMPOSE NO OBLIGATION OR LIABILITY OF ANY KIND UPON THE INSURER, ITS AGENTS OR REPRESENTATIVES.

AUTHORIZED REPRESENTATIVE

State of California
Contractors State License Board

Pursuant to Chapter 9 of Division 3 of the Business and Professions Code
and the Rules and Regulations of the Contractors State License Board,
the Registrar of Contractors does hereby issue this license to:

AMERICAN CONSTRUCTION & ENVIRONMENTAL
SERVICES INC



to engage in the business or act in the capacity of a contractor
in the following classification(s):

A - GENERAL ENGINEERING CONTRACTOR
HAZ - HAZARDOUS SUBSTANCES REMOVAL



Witness my hand and seal this day,

December 11, 1997

Issued February 1, 1995

Reissued December 10, 1997

D. Bailey Neff
Signature of Licensee

D. Bailey Neff
Signature of License Qualifier

C. Lance Barnett

C. Lance Barnett, Ph.D.
Registrar of Contractors

Reassigned 702214

License Number

This license is the property of the Registrar of Contractors, is not
transferrable, and shall be returned to the Registrar upon demand
when suspended, revoked, or invalidated for any reason. It becomes
void if not renewed.

STATE OF CALIFORNIA
STATE AND CONSUMER SERVICES AGENCY CONTRACTORS STATE LICENSE BOARD



Building Quality



HAZARDOUS SUBSTANCES REMOVAL AND REMEDIAL ACTIONS CERTIFICATION

Pursuant to the provisions of Section 7058.7 of the Business and Professions Code, the Registrar of Contractors does hereby certify that the following qualifying person has successfully completed the hazardous substances removal and remedial actions examination.



Qualifier: DAVID BAILEY NEFF

License No.: 702214

Business Name: AMERICAN CONSTRUCTION & ENVIRONMENTAL SERVICES INC

WITNESS my hand and official seal this

David Bailey Neff
RD day of FEBRUARY 1997

Registrar of Contractors

13L-36 (4/96)

This certification is the property of the Registrar of Contractors, is not transferable, and shall be returned to the Registrar upon demand when suspended, revoked, or invalidated for any reason.

A- 7448



State Of California
CONTRACTORS STATE LICENSE BOARD
ACTIVE LICENSE



License Number

702214

CORP

Business Name

AMERICAN CONSTRUCTION &
ENVIRONMENTAL SERVICES INC

Classification(s)

C61/D28 A HAZ B

Expiration Date

12/31/2007



AMERICAN CONSTRUCTION, INC.

SITE SAFETY PLAN

FOR

**City of Dublin
100 Civic Plaza
Dublin, California**

Underground Storage Tank Removal

March 2006

SECTION 1.0 INTRODUCTION

The health and safety of all project personnel involved at City of Dublin site located in Dublin, California for removal of (1) 10,000 Gallon Underground Storage Tank is of primary importance. Therefore, this Health and Safety Plan was developed and is intended to be followed by all project personnel. It is the responsibility of the Project Manager to implement and enforce the plan and any subsequent revisions, during the course of all operations at the site.

1.1 OVERVIEW

American Construction, Inc. (ACI) shall remove (1) 10,000 Gallon underground storage tank (UST) formerly containing unleaded gasoline located at 100 Civic Plaza in Dublin, CA. The typical steps involved in an underground storage tank removal are:

1. Draining/cleaning of all liquid from UST's.
2. Demolition and/or removal of surface concrete or asphalt
3. Capping and inerting of the fill pipes and vapor pipes if necessary.
4. Excavation and removing of surface soils and/or pea gravel above the tank.
5. Removal and loading of UST for transport and disposal.
6. Disposing of old dispensers, product and vapor piping and related appurtenances.
7. Backfilling the excavation area and resurfacing.

The chemical hazards expected to be encountered at the site may be organics and metals from gasoline or diesel fuel. The other hazards expected to be encountered during the project are exposure to physical hazards such as slipping, tripping, cuts, strains bruises, smashing limbs from working around heavy equipment (pinch points), excessive noise, broken bones and heat stress. The tank capacities and contents are listed below:

	<u>CAPACITY (gallons)</u>	<u>CONTENTS</u>
1	10,000 gallon Split	10K Unleaded Gasoline

SECTION 2.0 PROJECT SAFETY AUTHORITY

Personnel responsible for the on site project safety are the Project Manager, Dan Head and the Site Safety Officer, Bailey Neff.

The Company Safety Officer, Bailey Neff is responsible for the dissemination of the information contained in the plan to the Project Manager and Site Safety Officer.

As such, the Project Manager, Dan Head is responsible for ensuring the following items are adequately addressed:

- Safety Supplies & Equipment Inventory
- Training Programs/Hazard Communication
- Accident/Incident Reporting Procedures
- Decontamination/Contamination Reduction Procedures

The Project Manager, Project Superintendent and the Site Safety Officer have the authority to suspend work anytime they determine that the provisions of the plan are inadequate to ensure worker safety. The Project Site Safety Officer shall also inform the Project Manager of individuals whose conduct is not consistent with the requirements of the plan.

The following is a list of safety officer and supervisor responsibilities:

- Identify emergency officials;
- Identify chemicals and their toxicities;
- Provide for first aid;
- Perform site safety meeting;
- Ensure proper protective gear is available and utilized - instruct employees in use and maintenance;
- Evaluate potential hazards, both old and new, physical contact - lacerations, sprains, burns, inhalation and absorption through skin, nose; electrical;
- Layout contaminated and clean zones;
- Note and communicate locations of emergency equipment;
- Promote use of the buddy system and immediate notification of toxic effects;
- Note possible explosion or fire hazards.

Records of the above items will be documented as they are defined and implemented in the site safety meeting.

SECTION 3.0 JOB HAZARD ANALYSIS

3.1 GENERAL BACKGROUND

The possible contaminants present on site are organics from unleaded gasoline.

3.2 WASTE DESCRIPTION

Gasoline

Gasoline can pose a significant health hazard as lead is a toxic metal. The organic lead compounds, tetraethyllead (TEL) and tetramethyllead (TML) are constituents of gasoline as antiknock compounds. Health problems associated with lead are headache, anxiety, insomnia, nervous excitation and minor gastrointestinal symptoms with a metallic taste in the mouth. Liquid alkyllead may penetrate the skin without producing appreciable local injury. However, the decomposition products (i.e., mono-, di-, and triethyllead compounds) in dust form may be inhaled and result in irritation of the upper respiratory tract and possibly paroxysmal sneezing. This dust, when in contact with moist skin or ocular membranes, may cause itching, burning, and transient redness. TEL itself is irritating to the eyes. The absorption of a sufficient quantity of TEL whether briefly at a high rate, or for prolonged periods at a lower rate, may give rise to a variety of symptoms which include mild anxiety, toxic delirium with hallucinations, delusions, convulsions, and acute toxic psychosis. Physical signs are not prominent; but bradychardia, hypotension, increased reflexes, tremor, and slight weight loss have been reported. When the interval between the termination of exposure and the onset of symptoms is short, an early fatal outcome may result. Exposure to TML may produce insomnia, bad dreams, restlessness, anxiousness; hypotension; nausea; anoxia, delirium, mania, convulsions; coma. The points of attack for both TEL and TML are the central nervous system, cardiovascular system, kidneys and eyes. The acceptable method for monitoring lead contamination in humans is hair or blood analysis. The permissible level of lead in blood is 70 micrograms/milliliter. The airborne PEL is 0.1 mg/m^3 , and is determined by air monitoring and analysis by NIOSH Method 7300. Other constituents of gasoline can include but are not limited to benzene, toluene and xylene. Exposure to these compounds can cause nausea, dizziness, visual disturbances, narcosis and collapse. Chronic effects include central nervous system disorders, respiratory tract irritation, tearing, lassitude and immunological disorders.

The PEL/TLV (permissible exposure limit, threshold limit value), STEL (short term exposure limit) and IDLH (immediately dangerous to life and health) values are listed below:

	<u>PEL/TLV</u>	<u>STEL</u>	<u>IDLH</u>
Lead	0.1 mg/m^3		
Tetraethyllead	0.075 mg/m^3	0.3 mg/m^3	40 mg/m^3
Tetramethyllead	0.07 mg/m^3	0.5 mg/m^3	40 mg/m^3
Benzene	10 ppm	25 ppm	2,000 ppm
Toluene	100 ppm	150 ppm	2,000 ppm
Ethylbenzene	100 ppm	125 ppm	2,000 ppm
Xylene	100 ppm	150 ppm	10,000 ppm

3.3 HEAT STRESS

Adverse climatic conditions (both heat and cold) are important considerations in planning and conducting site operations. Ambient temperature effects can include physical discomfort, reduced efficiency, personal injury and increased accident probability.

Heat stress is of particular concern due to the prevailing climatic conditions in California. All appropriate procedures regarding heat stress shall be met. Additionally, one or more of the following control measures can be used to help control heat stress:

1. Provisions of adequate liquids to replace lost body fluids. Employees must replace water and salt lost from sweating. Employees must be encouraged to drink more than the amount required to satisfy thirst. Thirst satisfaction is not an accurate indicator of adequate salt and fluid replacement. (It is important to note, however, that ingestion of liquids will not be permitted in the contaminated zone. Workers should go to the break room to obtain the necessary liquids.)
2. Establishment of a work regimen that will provide adequate rest periods for cooling down. This may require additional shifts or workers.
3. Cooling devices such as cooling vests can be worn beneath protective garments.
4. All breaks are to be taken in a cool, shaded area (77 degrees Fahrenheit is ideal).

Indications of heat stress include:

- Sweating
- Pale moist skin
- Complaints of dizziness
- Pain or muscle spasm

Personnel monitoring is recommended above 80 degrees Fahrenheit (i.e., heart rate, oral temperature, body weight loss, blood pressure etc.). Use NIOSH guidelines for monitoring intervals.

The following climatic conditions may warrant site closure:

- Electrical storms
- Wind velocity above 15 miles per hour if dust control is not feasible
- Excessive heat

3.4 PHYSICAL HAZARDS DURING OPERATIONS

The physical hazards expected to be encountered during work activities are listed below as:

slipping, tripping falling, strains, cuts, bruises, puncture wounds, pinch points from heavy equipment, falling objects and splinters.

Exposure to these hazards will be minimized by using safe work practices and personnel protective equipment such as steel toe, steel shank boots, etc.

SECTION 4.0 PROTECTIVE EQUIPMENT

4.1 PERSONAL PROTECTION

Level D protective gear will be used on site. The proper equipment for this level includes:

1. Gloves
2. Hard hat;
3. Boots - inner, steel-toed and shank, neoprene;
4. Protective coveralls or work pants with long sleeve shirt
5. Safety glasses or safety goggles.

SECTION 5.0 WORK ZONES

The work zones will be determined by the Project Manager and the Site Safety Officer before the start of operations. The three zone system will be employed. i.e. exclusion zone, contamination reduction zone, and support area.

SECTION 6.0 DECONTAMINATION PROCEDURES

Personnel equipment worn into the Contamination Zone will be decontaminated by laundering. Equipment will have gross soil scraped off and placed with other soil taken from excavations. If gross contamination is present revisions to this section may be required.

SECTION 7.0 GENERAL PROJECT SAFETY REQUIREMENTS

7.1 GENERAL SAFETY

All personnel shall avoid contact with potentially contaminated substances or surfaces. Kneeling on the ground or leaning against objects should be avoided whenever possible. Equipment shall not be placed on potentially contaminated surfaces. Eating, drinking, smoking, chewing of gum and tobacco, and application of cosmetics shall be restricted to the break areas only. Personnel must remain alert to any potential hazards such as slippery surfaces, overhead lines, faulty equipment and tripping. All personnel on site will be required to wash their face and hands after working in a contaminated or potentially contaminated area.

Field personnel should be alert for any unsafe conditions that may arise on site. All observations must be reported immediately. Personnel must observe each other for signs of toxic exposures mentioned earlier. In summary these indications include:

Changes of complexion, coordination, demeanor or behavior;
Staggering or changes in speech pattern;
Excessive salivation.

Non-visible effects which must be reported include:

Headache, dizziness, nausea, cramps and blurred vision;
Irritation of the eyes, skin or respiratory tract;
Fatigue or weakness;
Tightening of the chest.
Diarrhea, coughing or sweating;
Hot or cold flashes or skin;
Breathing difficulties.

SECTION 8.0 SANITATION

8.1 DRINKING WATER

An adequate supply of potable water is provided on the site. Any container used to distribute drinking water shall be clearly marked as to the nature of its contents and not used for any other purpose.

8.2 TOILET FACILITIES

Toilets are provided for employees according to 29 CFR 1910 Table H-120.2. Toilet facilities are located on site.

SECTION 9.0 STANDARD OPERATING PROCEDURES

9.1 SAMPLING SAFETY MEASURES

1. Excavation safety measures should be followed closely.
2. Hand augers and power tools should be used in accordance with the operation safety measures.
3. Appropriate personal protective equipment must be used at all times.
4. Care must be taken to minimize exposure to decontamination solvents and other reagents used for sample preparation or preservation.
5. Protective eyewear must be used when driving sampling tools or when excavating soils using hand tools.

9.2 LABELING

Legible and understandable precautionary labels shall be prominently affixed to containers of raw materials, intermediates, products, by-products, mixtures, scrap, waste, debris and contaminated clothing. Labeling of harmful or hazardous materials or wastes which are to be stored or used in site operations is essential. The labels will meet the following requirements at a minimum:

They must be in English, not easily removed or if removed, replaced immediately, they must list chemical components, they must include the chemical or common name of the material, and they shall contain a statement which calls attention to the particular type of hazard with precautions to be taken when using the chemical. Labeling is to be brief and informative and can be accomplished using stencils, tape, signs, or placards.

Labels for hazardous wastes will contain all information required to meet federal and state regulations.

SECTION 10.0 CONTINGENCY PLAN

10.1 SITE EMERGENCY WARNING SYSTEM

Several warning systems may be utilized depending on the work site conditions or emergency involved:

- Verbal communications
- Vehicle horns
- Compressed air horns
- Portable telephones
- Radios

Verbal instructions with or without assistance are used to deal with specific incidents.

10.2 EMERGENCY EQUIPMENT

The following equipment comprises the basic emergency equipment list, of which all or some shall be available at the work site:

- Fire extinguishers - dry chemical 20 BC or greater
- Combustible gas and oxygen detector analyzers or organic vapor detection instruments
- Appropriate spill cleanup supplies and equipment

10.3 GENERAL EMERGENCY PROCEDURES

In case of an emergency or hazardous situation, the team member that observes this condition shall immediately sound the alarm.

Upon hearing an alarm, all non-emergency communications will cease and the member giving the alarm will proceed to give the Project Manager all pertinent information. Actions to be taken will be dictated by the emergency condition. Power equipment will be shut down and operators will stand-by for instruction. If an injury occurs due to an accident or exposure to a hazardous substance, the ACI Command Center will be notified. The Safety Officer will be given all appropriate information concerning the nature and cause of the injury so that treatment preparations can be initiated. The injured person will be transported out of the hot zone where appropriate first aid and treatment can begin. The Project Manager will be informed and will investigate the cause of the injury and make any necessary changes in work procedures.

10.5 EMERGENCY CONTACT LISTING

In case of a fire, explosion, or hazard alarm, personnel will immediately proceed to assigned pre-arranged safe locations. Upon arrival at the safe locations, a complete head count will be given to the Project Manager and personnel will stay at the safe locations until the area is secured.

10.4 PERSONAL INJURY

In the event of an accident resulting in physical injury, first aid will be administered, and the injured worker will be transported to the for emergency treatment. A physician's attention is required regardless of the severity of the injury.

In the event of fire, explosion, or property damage, American Construction will be immediately notified. If necessary, local fire or response agencies will be called.

All emergencies shall be reported by calling 911.

A cellular phone is located on site.

Emergency Telephone Numbers:

Fire and Police	911
Ambulance	911
Hospital: San Ramon Regional Medical Center	(925) 275 - 9200 Emergency Room

Hospital Address: 6001 Norris Canyon Road, San Ramon, California
(See Attached Map)

Additional Contingency Telephone Numbers:

American Construction, Inc.,	925 - 516 - 5800
Project Manager, Dan Head	925 - 584 - 5026
Site Safety Officer, Bailey Neff	925 - 516 - 5800
Company Safety Officer, Bailey Neff (Cell)	925 - 584 - 5222

SECTION 11.0 SAFETY/ORIENTATION TRAINING

11.1 FORMAL TRAINING

All ACI field personnel are trained in accordance with all applicable OSHA regulations pertaining to personal safety and hazardous materials handling and decontamination. ACI's health and safety program is in full compliance with 29 CFR, Part 1910, including the OSHA interim ruling which amends CERCLA and sets specific standards for medical surveillance and training. Copies of training documentation are available on request by notifying Mr. Neff in our Brentwood, CA office at (925) 516 - 5800.

ACI field personnel have extensive knowledge of various construction work and the tools in which to do their work.

This formal training is supplemented by daily tail-gate safety briefing and additional site specific training as required.

11.2 TAILGATE SAFETY MEETINGS

Short job site Tailgate Safety Meetings will be conducted at the beginning of each shift for each job or more frequently if new employees arrive at the job site. All workers and supervisors will be expected to attend. Health and safety concerns pertaining to the operations planned for that day will be discussed. The meetings will also include any procedures that may be necessary for safety, or other considerations as determined by the Site Safety Officer, such as change in temperature, wind velocity, or precipitation. Attendance and participation records will be retained, and will become part of the project file.

SIGN OFF PAGE

I have read the Project Safety Plan and fully understand the hazards associated with the underground storage tank removal at the location 100 Civic Plaza, Dublin, California

I will comply with the minimum safety requirements set forth in the Project Safety Plan. I agree to notify the responsible employee of ACI should any unsafe acts be witnessed by me while I am on this site.

Print Name	Signature	Date

Project Safety Plan approved by:

D. M. Hoff *President*
Corporate Safety Officer

Date 4/7/00

Yahoo! My Yahoo! Mail

YAHOO! LOCAL **Sign In**
 Maps New User? Sign Up

Search the Web

Maps Home - M

Yahoo! Driving Directions

Starting from: **A** 100 Civic Plz, Dublin, CA 94568-2658

Arriving at: **B** San Ramon Regional Medical Ctr 6001 Norris Canyon Rd, San Ramon, CA 94583-5400 (925) 275-9200

Distance: 7.4 miles Approximate Travel Time: 10 mins

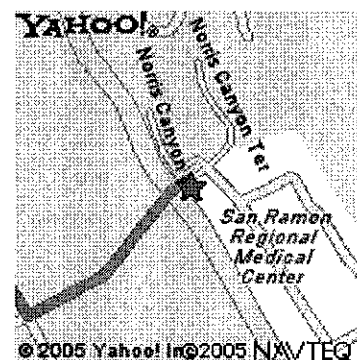
Your Directions

1.	Start at 100 CIVIC PLZ; DUBLIN - go < 0.1 mi
2.	Turn L on DUBLIN BLVD - go 0.4 mi
3.	Turn L on VILLAGE PKY - go 0.1 mi
4.	Turn R onto I-680 NORTH - go 5.6 mi
5.	Take the CROW CANYON ROAD exit toward SAN RAMON - go 0.3 mi
6.	Turn R on CROW CANYON RD - go 0.3 mi
7.	Turn R on CAMINO RAMON - go 0.4 mi
8.	Turn L on NORRIS CANYON RD - go 0.3 mi
9.	Arrive at 6001 NORRIS CANYON RD, SAN RAMON

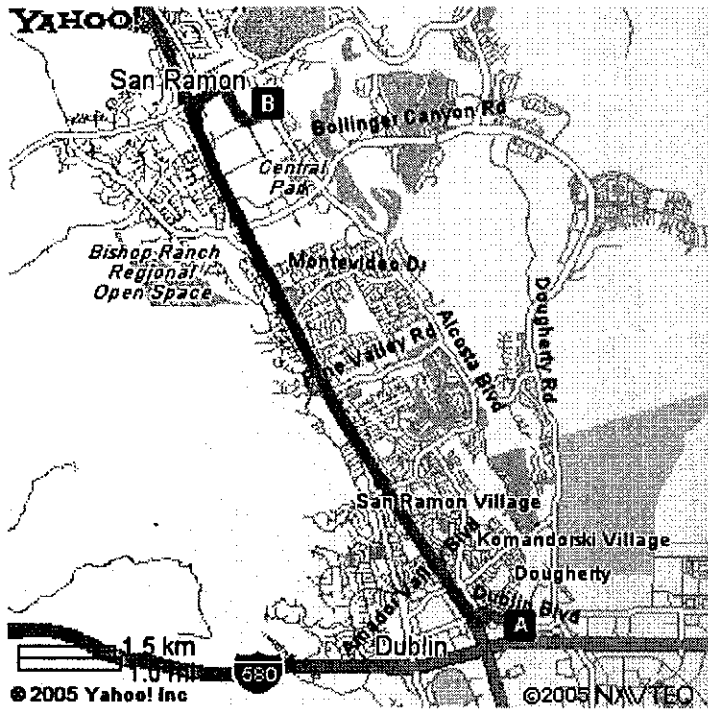
When using any driving directions or map, it's a good idea to do a reality check and make sure the road still exists, watch out for construction, and follow all traffic safety precautions. This is only to be used as an aid in planning.

Your Full Route

Your Destination



Address:
 San Ramon Regional Medical Ctr 6001 Norris Canyon Rd
 San Ramon, CA 94583-5400



Copyright © 2006 Yahoo! Inc. All rights reserved.
[Privacy Policy](#) - [Terms of Service](#) - [Copyright/IP Policy](#) - [Yahoo! Maps Terms of Use](#) - [Help](#) - [Ad Feedback](#)