



An Employee Owned Company



**ENVIRONMENTAL
CONSULTANTS**

ED GIACOMETTI
Staff Geologist
Cell: (510) 773-7355
egiacometti@accenv.com

*sample
4/14/04*

7977 Capwell Drive
Suite 100
Oakland, CA 94621
(510) 638-8400
FAX: (510) 638-8404
www.accenv.com

June 11, 2004



Alameda County
JUN 15 2004
Environmental Services

Ms. Carol Wallace
Impulse Motors
1210 Bockman Road
San Lorenzo, California

Re: **Underground Storage Tank Closure Report**
Impulse Motors, 1210 Bockman Road, San Lorenzo, California
ACC Project No. 6546-006.00

Dear Ms. Wallace:

Enclosed please find two copies of the Underground Storage Tank (UST) Closure Report for services performed at Impulse Motors, 1210 Bockman Road, San Lorenzo, California (Site).

BACKGROUND

ACC Environmental Consultants (ACC) was contracted by DCM Construction & Services, Inc. (DCM) of Dublin, California, to perform required soil and groundwater sampling related to the removal of one 8,000-gallon and two 6,000-gallon USTs at the subject Site (Figure 1).

OBSERVATIONS

ACC witnessed the removal of the USTs on April 14, 2004. Prior to field activities, appropriate permits were obtained by DCM. UST removals were witnessed by Mr. Larry Seto of the Alameda County Health Care Services Agency (ACHCSA). The excavation, UST removal and backfill work were performed by DCM under state licensed contractor number 745353, in accordance with regulatory requirements. ACC documented the subsurface work during the UST removal procedures.

The three USTs were designated Tank 1, Tank 2, and Tank 3 by the regulatory agencies. The locations of the former USTs are illustrated on Figure 2. Tank 1 was an 8,000-gallon gasoline UST with approximate dimensions of 30 feet long by 9.5 feet wide. Tank 2 and Tank 3 were 6,000-gallon gasoline USTs with approximate dimensions of 18 feet long by 9.5 feet wide. The USTs were situated side-by-side and located 4 feet below ground surface (bgs).

Due to the excessive amount of gravel fill in the excavation, ACC was only able to collect three representative soil samples along the excavation sidewalls at an average depth of approximately 9 feet. Based on concerns of the ACHCSA regarding the distance of the dispenser islands from the USTs, ACC

collected representative soil samples under each dispenser. These dispenser soil samples also served as confirmation soil samples for product piping runs.

FIELD ACTIVITIES

Upon excavation, the bottoms of the USTs were found to be at a depth of approximately 12 feet below ground surface (bgs). Product lines connected to dispenser islands were observed in the UST excavation. On April 14, 2004, DCM removed the USTs from the ground. Prior to removal, the USTs were triple-rinsed and volatile vapors were displaced with dry ice, rendering both tanks inert. Upon removal, the USTs were observed to be constructed of double-walled steel and in good condition. The USTs were loaded and hauled away by Ecology Control Industries under a proper EPA Waste Identification Number.

Soil generated during excavation was temporarily stockpiled onsite. The stockpiled soil consisted mainly of gravel fill material. The representative from the ACHCSA did not request any samples to be collected from the stockpiled soil. The ACHCSA verbally approved the use of the stockpiled soil for backfill.

Native soil in the excavation consisted of an upper layer of loose sandy soil above and a lower layer of dark brown clayey soil with little moisture present. Following removal of the three USTs, three confirmation soil samples were collected from the excavation sidewalls at select depths ranging from 8.5 to 9.0 feet bgs. Under the direction the ACHCSA, soils underneath the dispenser islands and the corresponding piping were sampled. Soil underneath each dispenser was removed until a representative sample could be collected approximately two foot below each dispenser foundation. Dispenser and sample locations are shown on Figure 2.

All soil samples were collected in pre-cleaned brass liners, covered with Teflon[®] tape and tight fitting plastic end caps, labeled, placed in a pre-chilled, insulated container and submitted following chain of custody protocol to STL San Francisco, Inc. (STL SF), a state-certified analytical laboratory. Sample depths were approved onsite by Mr. Larry Seto and Mr. Robert Weston of ACHCSA. In accordance with California Regional Water Quality Control Board guidelines, soil samples were analyzed for total petroleum hydrocarbons as gasoline (TPHg) and other fuel oxygenates by EPA Methods 8260B and Total Lead by EPA Method 6010B. Soil sample analytical results (Table 1) and copies of the laboratory reports and chain of custody record are located in the Appendices.

DISCUSSION

During UST removals, no field indications of a hydrocarbon release were noted. Excavated soil and UST backfill material displayed no field indications of impact such as characteristic odor, photoionization detector (PID) reading, and soil discoloration. ACC observed characteristic olive green discoloration in soils collected from beneath the dispenser islands. Confirmation soil samples collected in native soil under the dispenser islands and the dispenser piping reported elevated concentrations of petroleum hydrocarbons. Dispenser and piping samples D1-2.0, D2-2.0, D3-2.0, D4-2.0 and P3-2.0 reported TPHg concentrations ranging from 690 to 5,900 parts per million (ppm). Minimal or

nondetectable BTEX concentrations were reported in the dispenser and piping samples. Based on the BTEX to TPHg ratio, ACC believes the petroleum concentrations reported in soil under the dispensers represent "old gasoline" and were likely from a previous set of product dispensers located at the Site.

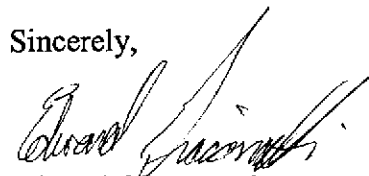
CONCLUSIONS

Based on field observations and soil sample analytical results, ACC concludes:

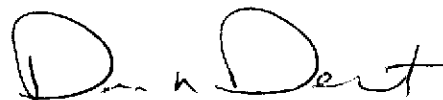
- The USTs were found to be in excellent condition with no visible holes and no field indications of subsurface impact such as characteristic odor, elevated PID reading, or soil discoloration was noted in surficial soil beneath the former USTs;
- Lead concentrations were minor and appear to be indicative of naturally occurring levels;
- Analytical results of soil samples collected from beneath the former USTs reported concentrations below laboratory reporting limits and confirm field observations;
- Elevated petroleum hydrocarbon concentrations were reported beneath both the dispenser islands and the adjacent piping, and;
- Based on the soil sample analytical results, ACC believes that additional subsurface investigation will likely be requested to further characterize the extent of gasoline impact in the vicinity of dispenser islands.

If you have questions or comments, please contact me at (510) 638-8400 extension 114 or via email at egiacometti@acc.com or David DeMent at extension 109.

Sincerely,



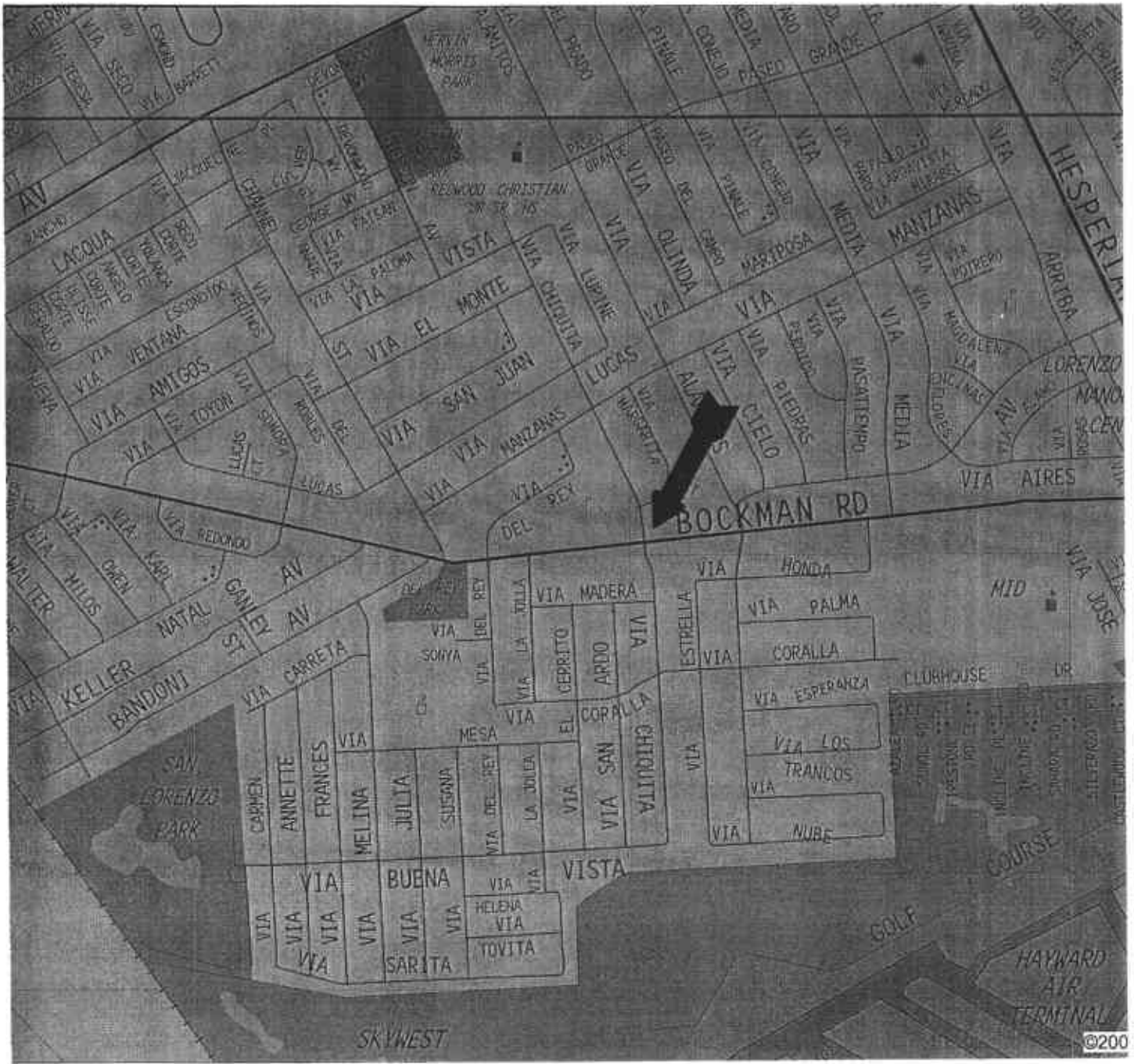
Edward Giacometti
Staff Geologist



David R. DeMent, RG, REA II
Environmental Division Manager

cc: Mr. Robert Weston; ACHCSA

FIGURES

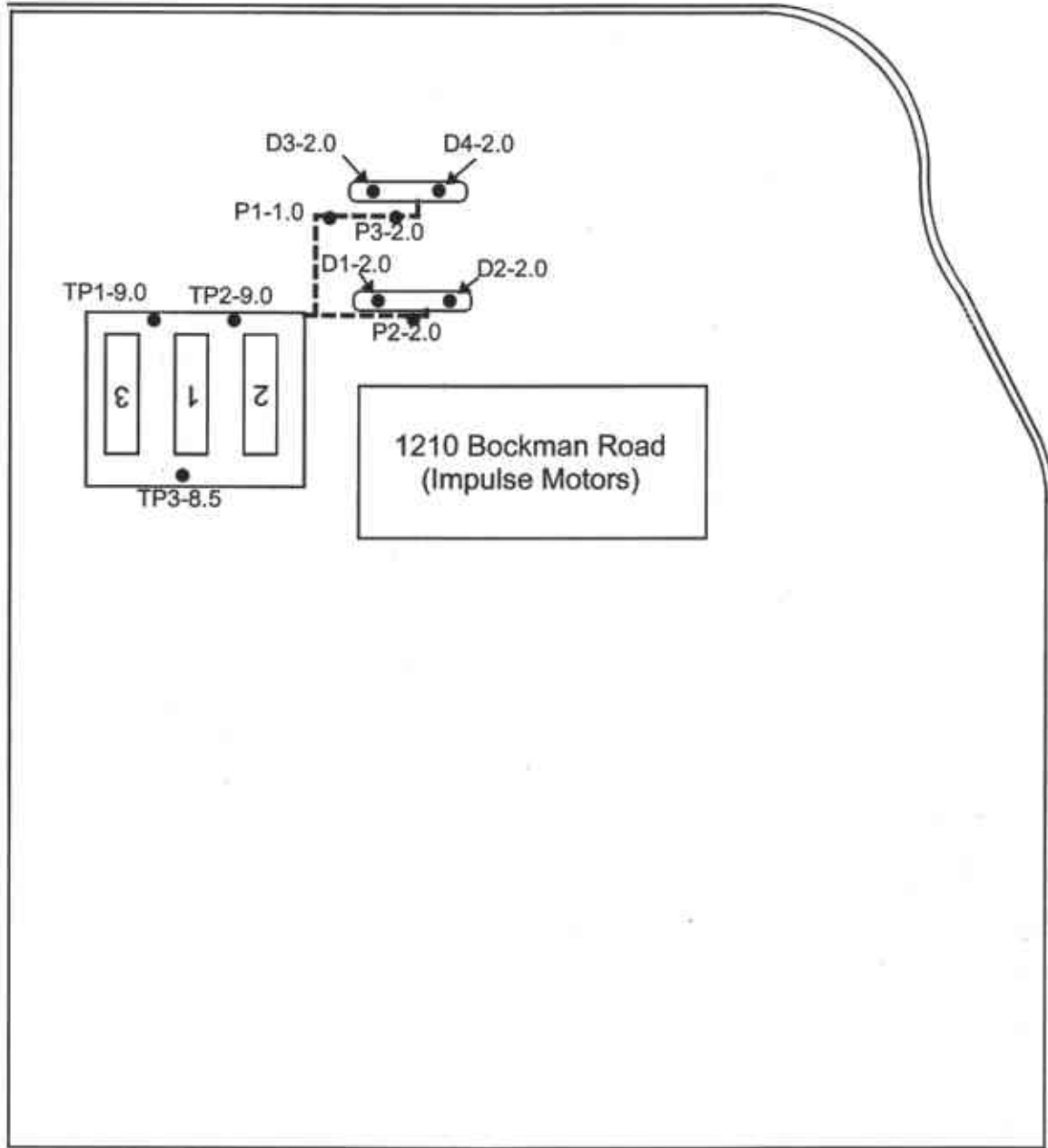


Source: The Thomas Guide, Bay Area 2002

**Title Location Map
1210 Bockman Road
San Lorenzo, California**

Figure Number: 1	Scale: None
Project No: 6546-006.00	Drawn By: EJJ
A.C.C ENVIRONMENTAL CONSULTANTS	Date: 06/11/04
7977 Capwell Drive, Suite 100 Oakland, California 94621 (510) 638-8400 Fax: (510) 638-8404	

Bockman Road



Chiquita Road

Legend

- P1-1.0 ● - Soil Sample Locations
- - Piping Locations

Title: **Site Plan**
1210 Bockman Road
Hayward, California

Figure Number: 2

Scale: 1" = 30'

Project No: 6546-006.00

Drawn By: EJG

Date: 06/11/04



7977 Capwell Drive, Suite 100
Oakland, California 94621

(510) 638-8400 Fax: (510) 638-8401



APPENDICES

ACC Environmental Consultants

May 11, 2004

7977 Capwell Drive, Suite 100
Oakland, CA 94621

Attn.: Ed Giacometti

Project#: 6546-006.00

Project: 1210 Bockman Rd

Dear Mr. Giacometti,

Attached is our report for your samples received on 04/29/2004 18:50

This report has been reviewed and approved for release. Reproduction of this report is permitted only in its entirety.

Please note that any unused portion of the samples will be discarded after 06/13/2004 unless you have requested otherwise.

We appreciate the opportunity to be of service to you. If you have any questions, please call me at (925) 484-1919.

You can also contact me via email. My email address is: vvancil@stl-inc.com

Sincerely,



Vincent Vancil
Project Manager

Severn Trent Laboratories, Inc.

STL San Francisco * 1220 Quarry Lane, Pleasanton, CA 94566

Tel 925 484 1919 Fax 925 484 1096 * www.stl-inc.com * CA DHS ELAP# 2496

Total Lead

ACC Environmental Consultants

Attn.: Ed Giacometti

7977 Capwell Drive, Suite 100

Oakland, CA 94621

Phone: (510) 638-8400 Fax: (510) 638-8404

Project: 6546-006.00

1210 Bockman Rd

Received: 04/29/2004 18:50

Samples Reported

Sample Name	Date Sampled	Matrix	Lab #
D1-2.0	04/29/2004 13:25	Soil	1
D2-2.0	04/29/2004 13:55	Soil	2
D3-2.0	04/29/2004 14:30	Soil	3
D4-2.0	04/29/2004 14:55	Soil	4
P2-2.0	04/29/2004 14:10	Soil	5
P3-2.0	04/29/2004 14:40	Soil	6

Severn Trent Laboratories, Inc.

STL San Francisco * 1220 Quarry Lane, Pleasanton, CA 94566

Tel 925 484 1919 Fax 925 484 1096 * www.stl-inc.com * CA DHS ELAP# 2496

05/06/2004 12:34

Total Lead

ACC Environmental Consultants

Attn.: Ed Giacometti

7977 Capwell Drive, Suite 100
Oakland, CA 94621
Phone: (510) 638-8400 Fax: (510) 638-8404

Project: 6546-006.00
1210 Bockman Rd

Received: 04/29/2004 18:50

Prep(s):	3050B	Test(s):	5010B
Sample ID:	D1-2.0	Lab ID:	2004-04-0932
Sampled:	04/29/2004 13:25	Extracted:	4/30/2004 11:34
Matrix:	Soil	QC Batch#:	2004/04/30 04:15

Compound	Conc.	RL	Unit	Dilution	Analyzed	Flag
Lead	8.2	1.0	mg/Kg	1.00	05/03/2004 20:02	

Total Lead

ACC Environmental Consultants

Attn.: Ed Giacometti

7977 Capwell Drive, Suite 100

Oakland, CA 94621

Phone: (510) 638-8400 Fax: (510) 638-8404

Project: 6546-006.00

1210 Bockman Rd

Received: 04/29/2004 18:50

Prep(s):	8060B	Test(s):	6010B
Sample ID:	D2-2.0	Lab ID:	2004-04-0932-2
Sampled:	04/29/2004 18:50	Extracted:	05/03/2004 11:29
Matrix:	Soil	QC Batch#:	2004/03/30-04/15

Compound	Conc.	RL	Unit	Dilution	Analyzed	Flag
Lead	5.9	1.0	mg/Kg	1.00	05/03/2004 20:29	

Total Lead

ACC Environmental Consultants

Attn.: Ed Giacometti

7977 Capwell Drive, Suite 100

Oakland, CA 94621

Phone: (510) 638-8400 Fax: (510) 638-8404

Project: 6546-006.00

1210 Bockman Rd

Received: 04/29/2004 18:50

Prep(s):	3050B	Test(s):	6010B
Sample ID:	03-210	Lab ID:	2004-04-0932-3
Sampled:	04/29/2004 14:30	Extracted:	4/30/2004 11:34
Matrix:	Soil	QC Batch:	2004/04/30 04-19

Compound	Conc.	RL	Unit	Dilution	Analyzed	Flag
Lead	11	1.0	mg/Kg	1.00	05/03/2004 20:32	

Total Lead

ACC Environmental Consultants

Attn.: Ed Giacometti

7977 Capwell Drive, Suite 100

Oakland, CA 94621

Phone: (510) 638-8400 Fax: (510) 638-8404

Project: 6546-006.00

1210 Bockman Rd

Received: 04/29/2004 18:50

Project:	6050B	Test(s):	6010B
Sample ID:	D4-2.0	Lab ID:	2004-04-0932-1
Sampled:	04/29/2004 16:55	Extracted:	04/30/2004 14:34
Matrix:	Soil	QC Batch#:	200404300415

Compound	Conc.	RL	Unit	Dilution	Analyzed	Flag
Lead	7.9	1.0	mg/Kg	1.00	05/03/2004 20:36	

Total Lead

ACC Environmental Consultants

Attn.: Ed Giacometti

7977 Capwell Drive, Suite 100
Oakland, CA 94621
Phone: (510) 638-8400 Fax: (510) 638-8404

Project: 6546-006.00
1210 Bockman Rd

Received: 04/29/2004 18:50

Prop(s):	2059B	Test(S):	6310B
Sample ID:	P2-2.0	Lab ID:	2004-04-0932-15
Sampled:	04/29/2004 14:10	Extracted:	4/30/2004 11:34
Matrix:	Soil	QC Batch#:	2004/04/30/04-15

Compound	Conc.	RL	Unit	Dilution	Analyzed	Flag
Lead	5.7	1.0	mg/Kg	1.00	05/03/2004 20:39	

Total Lead

ACC Environmental Consultants

Attn.: Ed Giacometti

7977 Capwell Drive, Suite 100

Oakland, CA 94621

Phone: (510) 638-8400 Fax: (510) 638-8404

Project: 6546-006.00

1210 Bockman Rd

Received: 04/29/2004 18:50

Prep(s):	30508	Test(s):	60105
Sample ID:	P3-2.0	Lab ID:	2004-04-0932-6
Sampled:	04/29/2004 14:46	Extracted:	4/30/2004 11:34
Matrix:	Soil	GC Batch:	2004/04/30/04-15

Compound	Conc.	RL	Unit	Dilution	Analyzed	Flag
Lead	6.5	1.0	mg/Kg	1.00	05/03/2004 20:43	

Total Lead

ACC Environmental Consultants

Attn.: Ed Giacometti

7977 Capwell Drive, Suite 100

Oakland, CA 94621

Phone: (510) 638-8400 Fax: (510) 638-8404

Project: 6546-006.00

1210 Bockman Rd

Received: 04/29/2004 18:50

Batch QC Report	
Prep(s): 30503	AN(S): 60103
Method: Blank	Soil
MB: 2004/04/30-04/15/04	QC Batch #: 2004/04/30-04/15
	Date Extracted: 04/30/2004 11:34

Compound	Conc.	RL	Unit	Analyzed	Flag
Lead	ND	1.0	mg/Kg	05/03/2004 18:31	

Total Lead

ACC Environmental Consultants

Attn.: Ed Giacometti

7977 Capwell Drive, Suite 100
Oakland, CA 94621
Phone: (510) 638-8400 Fax: (510) 638-8404

Project: 6546-006.00
1210 Bockman Rd

Received: 04/29/2004 18:50

Batch QC Report			
Prep(s): 30508			Tests: 30508
Laboratory Control Spike	Soil:		QC Batch #: 2004/04/30-04-15
LCS: 2004/04/30-04-15-042	Extracted: 04/30/2004		Analyzed: 05/03/2004 18:38
LCSD: 2004/04/30-04-15-043	Extracted: 04/30/2004		Analyzed: 05/03/2004 18:38

Compound	Conc. mg/Kg		Exp. Conc.	Recovery %		RPD	Ctrl. Limits %		Flags	
	LCS	LCSD		LCS	LCSD		%	Rec.	RPD	LCS
Lead	96.5	94.0	100.0	96.5	94.0	2.6	80-120	20		

Fuel Oxygenates by 8260B

ACC Environmental Consultants

Attn.: Ed Giacometti

7977 Capwell Drive, Suite 100

Oakland, CA 94621

Phone: (510) 638-8400 Fax: (510) 638-8404

Project: 6546-006.00

1210 Bockman Rd

Received: 04/29/2004 18:50

Samples Reported

Sample Name	Date Sampled	Matrix	
P2-2.0	04/29/2004 14:10	Soil	5

Severn Trent Laboratories, Inc.

STL San Francisco * 1220 Quarry Lane, Pleasanton, CA 94566

Tel 925 484 1919 Fax 925 484 1096 * www.stl-inc.com * CA DHS ELAP# 2496

05/11/2004 14:52

Fuel Oxygenates by 8260B

ACC Environmental Consultants

Attn.: Ed Giacometti

7977 Capwell Drive, Suite 100
Oakland, CA 94621
Phone: (510) 638-8400 Fax: (510) 638-8404

Project: 6546-006.00
1210 Bockman Rd

Received: 04/29/2004 18:50

Prep(s):	5030B	Test(s):	8260B
Sample ID:	P2-2.0	Lab ID:	2004-04-0932-3
Sampled:	04/29/2004 12:10	Expiry:	5/11/2004 12:01
Matrix:	Soil	QC Batch:	2004/05/11-01.69

Compound	Conc.	RL	Unit	Dilution	Analyzed	Flag
Gasoline	ND	1000	ug/Kg	1.00	05/11/2004 12:01	
tert-Butyl alcohol (TBA)	ND	10	ug/Kg	1.00	05/11/2004 12:01	
Methyl tert-butyl ether (MTBE)	ND	5.0	ug/Kg	1.00	05/11/2004 12:01	
Di-isopropyl Ether (DIPE)	ND	10	ug/Kg	1.00	05/11/2004 12:01	
Ethyl tert-butyl ether (ETBE)	ND	5.0	ug/Kg	1.00	05/11/2004 12:01	
tert-Amyl methyl ether (TAME)	ND	5.0	ug/Kg	1.00	05/11/2004 12:01	
Benzene	ND	5.0	ug/Kg	1.00	05/11/2004 12:01	
Toluene	ND	5.0	ug/Kg	1.00	05/11/2004 12:01	
Ethyl benzene	ND	5.0	ug/Kg	1.00	05/11/2004 12:01	
Total xylenes	ND	5.0	ug/Kg	1.00	05/11/2004 12:01	
Surrogate(s)						
1,2-Dichloroethane-d4	82.2	70-121	%	1.00	05/11/2004 12:01	
Toluene-d8	93.7	81-117	%	1.00	05/11/2004 12:01	

Fuel Oxygenates by 8260B

ACC Environmental Consultants

Attn.: Ed Giacometti

7977 Capwell Drive, Suite 100
Oakland, CA 94621
Phone: (510) 638-8400 Fax: (510) 638-8404

Project: 6546-006.00
1210 Bockman Rd

Received: 04/29/2004 18:50

Batch QC Report			
Project: 6546-006.00	Test(s): 8260B	Soil	QC Batch #: 2004/05/11-01-69
Method: Blank			Date Extended: 05/11/2004 07:30
MB: 2004/05/11-01-69-030			

Compound	Conc.	RL	Unit	Analyzed	Flag
Gasoline	ND	1000	ug/Kg	05/11/2004 07:30	
tert-Butyl alcohol (TBA)	ND	10.0	ug/Kg	05/11/2004 07:30	
Methyl tert-butyl ether (MTBE)	ND	5.0	ug/Kg	05/11/2004 07:30	
Di-isopropyl Ether (DIPE)	ND	10.0	ug/Kg	05/11/2004 07:30	
Ethyl tert-butyl ether (ETBE)	ND	5.0	ug/Kg	05/11/2004 07:30	
tert-Amyl methyl ether (TAME)	ND	5.0	ug/Kg	05/11/2004 07:30	
Benzene	ND	5.0	ug/Kg	05/11/2004 07:30	
Toluene	ND	5.0	ug/Kg	05/11/2004 07:30	
Ethyl benzene	ND	5.0	ug/Kg	05/11/2004 07:30	
Total xylenes	ND	5.0	ug/Kg	05/11/2004 07:30	
Surrogates(s)					
1,2-Dichloroethane-d4	87.5	70-121	%	05/11/2004 07:30	
Toluene-d8	92.4	81-117	%	05/11/2004 07:30	

Fuel Oxygenates by 8260B

ACC Environmental Consultants

Attn.: Ed Giacometti

7977 Capwell Drive, Suite 100

Oakland, CA 94621

Phone: (510) 638-8400 Fax: (510) 638-8404

Project: 6546-006.00

1210 Bockman Rd

Received: 04/29/2004 18:50

Batch QC Report			
Prep(s): 8030E	Soil		Test(s): 8260B
Laboratory Control Spike	QC Batch # 2004/05/11-01-69		
LCS = 2004/05/11-01-69-052	Extracted: 05/11/2004	Analyzed: 05/11/2004 06:52	
LCSD = 2004/05/11-01-69-010	Extracted: 05/11/2004	Analyzed: 05/11/2004 07:10	

Compound	Conc. ug/Kg		Exp. Conc.	Recovery %		RPD	Ctrl. Limits %		Flags	
	LCS	LCSD		LCS	LCSD		%	Rec.	RPD	LCS
Methyl tert-butyl ether (MTBE)	44.5	44.0	50.0	89.0	88.0	1.1	65-165	20		
Benzene	44.4	44.4	50.0	88.8	88.8	0.0	69-129	20		
Toluene	48.8	49.0	50.0	97.6	98.0	0.4	70-130	20		
Surrogates(s)										
1,2-Dichloroethane-d4	401	409	500	80.2	81.8		70-121			
Toluene-d8	471	481	500	94.2	96.2		81-117			

Severn Trent Laboratories, Inc.

STL San Francisco * 1220 Quarry Lane, Pleasanton, CA 94566

Tel 925 484 1919 Fax 925 484 1096 * www.stl-inc.com * CA DHS ELAP# 2496

05/11/2004 14:52

Gas/BTEX Fuel Oxygenates by 8260B (High Level)

ACC Environmental Consultants

Attn.: Ed Giacometti

7977 Capwell Drive, Suite 100
Oakland, CA 94621
Phone: (510) 638-8400 Fax: (510) 638-8404Project: 6546-006.00
1210 Bockman Rd

Received: 04/29/2004 18:50

Samples Reported

Sample Name	Date Sampled	Matrix	Lab #
D1-2.0	04/29/2004 13:25	Soil	1
D2-2.0	04/29/2004 13:55	Soil	2
D3-2.0	04/29/2004 14:30	Soil	3
D4-2.0	04/29/2004 14:55	Soil	4
P3-2.0	04/29/2004 14:40	Soil	6

Gas/BTEXFuel Oxygenates by 8260B (High Level)

ACC Environmental Consultants

Attn.: Ed Giacometti

7977 Capwell Drive, Suite 100
Oakland, CA 94621
Phone: (510) 638-8400 Fax: (510) 638-8404

Project: 6546-006.00
1210 Bockman Rd

Received: 04/29/2004 18:50

Prep(s):	5080B	Test(s):	8260B
Sample ID:	bt-2.0	Lab ID:	2004-04-0932-1
Sampled:	04/29/2004 13:25	Extracted:	5/10/2004 14:57
Matrix:	Soil	QC Batch#:	20040510-03.69
Analysis Flag: 0 (See Legend and Note Section)			

Compound	Conc.	RL	Unit	Dilution	Analyzed	Flag
Gasoline	3600000	250000	ug/Kg	5.00	05/10/2004 14:57	
Benzene	3300	2500	ug/Kg	5.00	05/10/2004 14:57	
Toluene	30000	2500	ug/Kg	5.00	05/10/2004 14:57	
Ethyl benzene	33000	2500	ug/Kg	5.00	05/10/2004 14:57	
Total xylenes	180000	2500	ug/Kg	5.00	05/10/2004 14:57	
tert-Butyl alcohol (TBA)	ND	13000	ug/Kg	5.00	05/10/2004 14:57	
Methyl tert-butyl ether (MTBE)	ND	2500	ug/Kg	5.00	05/10/2004 14:57	
Di-isopropyl Ether (DIPE)	ND	5000	ug/Kg	5.00	05/10/2004 14:57	
Ethyl tert-butyl ether (ETBE)	ND	2500	ug/Kg	5.00	05/10/2004 14:57	
tert-Amyl methyl ether (TAME)	ND	2500	ug/Kg	5.00	05/10/2004 14:57	
Surrogate(s)						
1,2-Dichloroethane-d4	NA	70-121	%	5.00	01/01/1900	sd
Toluene-d8	NA	81-117	%	5.00	01/01/1900	sd

Gas/BTEXFuel Oxygenates by 8260B (High Level)

ACC Environmental Consultants

Attn.: Ed Giacometti

7977 Capwell Drive, Suite 100
Oakland, CA 94621
Phone: (510) 638-8400 Fax: (510) 638-8404

Project: 6546-006.00
1210 Bockman Rd

Received: 04/29/2004 18:50

Prep(s):	50308	Test(s):	8260B
Sample ID:	D2-2.0	Lab ID:	2004-04-0932-2
Sampled:	04/29/2004 18:55	Extracted:	5/10/2004 13:27
Matrix:	Sol	GC Batch#:	2004/05/10-03-69

Compound	Conc.	RL	Unit	Dilution	Analyzed	Flag
Gasoline	730000	50000	ug/Kg	1.00	05/10/2004 13:27	
Benzene	ND	500	ug/Kg	1.00	05/10/2004 13:27	
Toluene	1600	500	ug/Kg	1.00	05/10/2004 13:27	
Ethyl benzene	7200	500	ug/Kg	1.00	05/10/2004 13:27	
Total xylenes	59000	500	ug/Kg	1.00	05/10/2004 13:27	
tert-Butyl alcohol (TBA)	ND	2500	ug/Kg	1.00	05/10/2004 13:27	
Methyl tert-butyl ether (MTBE)	ND	500	ug/Kg	1.00	05/10/2004 13:27	
Di-isopropyl Ether (DIPE)	ND	1000	ug/Kg	1.00	05/10/2004 13:27	
Ethyl tert-butyl ether (ETBE)	ND	500	ug/Kg	1.00	05/10/2004 13:27	
tert-Amyl methyl ether (TAME)	ND	500	ug/Kg	1.00	05/10/2004 13:27	
Surrogate(s)						
1,2-Dichloroethane-d4	81.4	70-121	%	1.00	05/10/2004 13:27	
Toluene-d8	94.3	81-117	%	1.00	05/10/2004 13:27	

Severn Trent Laboratories, Inc.

STL San Francisco * 1220 Quarry Lane, Pleasanton, CA 94566
Tel 925 484 1919 Fax 925 484 1096 * www.stl-inc.com * CA DHS ELAP# 2496

05/11/2004 14:52

Gas/BTEXFuel Oxygenates by 8260B (High Level)

ACC Environmental Consultants

Attn.: Ed Giacometti

7977 Capwell Drive, Suite 100

Oakland, CA 94621

Phone: (510) 638-8400 Fax: (510) 638-8404

Project: 6546-006.00

1210 Bockman Rd

Received: 04/29/2004 18:50

Prep(s): 50398 Test(s): 8260B
 Sample ID: 03-20 Lab ID: 2004-04-0932-3
 Sampled: 04/28/2004 14:30 Extracted: 5/10/2004 18:56
 Matrix: Soil GC Batch#: 2004/05/10-05-59
 Analysis Flag: 6 (See Legend and Note Section)

Compound	Conc.	RL	Unit	Dilution	Analyzed	Flag
Gasoline	3200000	500000	ug/Kg	10.00	05/10/2004 18:56	
Benzene	ND	5000	ug/Kg	10.00	05/10/2004 18:56	
Toluene	ND	5000	ug/Kg	10.00	05/10/2004 18:56	
Ethyl benzene	24000	5000	ug/Kg	10.00	05/10/2004 18:56	
Total xylenes	140000	5000	ug/Kg	10.00	05/10/2004 18:56	
tert-Butyl alcohol (TBA)	ND	25000	ug/Kg	10.00	05/10/2004 18:56	
Methyl tert-butyl ether (MTBE)	ND	5000	ug/Kg	10.00	05/10/2004 18:56	
Di-isopropyl Ether (DIPE)	ND	10000	ug/Kg	10.00	05/10/2004 18:56	
Ethyl tert-butyl ether (ETBE)	ND	5000	ug/Kg	10.00	05/10/2004 18:56	
tert-Amyl methyl ether (TAME)	ND	5000	ug/Kg	10.00	05/10/2004 18:56	
Surrogate(s)						
1,2-Dichloroethane-d4	NA	70-121	%	10.00	05/10/2004 18:56	sd
Toluene-d8	NA	81-117	%	10.00	05/10/2004 18:56	sd

Gas/BTEX Fuel Oxygenates by 8260B (High Level)

ACC Environmental Consultants

Attn.: Ed Giacometti

7977 Capwell Drive, Suite 100
Oakland, CA 94621
Phone: (510) 638-8400 Fax: (510) 638-8404

Project: 6546-006.00
1210 Bockman Rd

Received: 04/29/2004 18:50

Project:	50308	Test(s):	8260B
Sample ID:	D4-2.0	Lab ID:	200404-0932-04
Sampled:	04/29/2004 14:55	Extracted:	05/10/2004 15:33
Matrix:	Soil	QC Batch#:	2004/05/10-03-69
Analysis Flag: 0 (See Legend and Note Section)			

Compound	Conc.	RL	Unit	Dilution	Analyzed	Flag
Gasoline	5900000	500000	ug/Kg	10.00	05/10/2004 15:33	
Benzene	ND	5000	ug/Kg	10.00	05/10/2004 15:33	
Toluene	ND	5000	ug/Kg	10.00	05/10/2004 15:33	
Ethyl benzene	37000	5000	ug/Kg	10.00	05/10/2004 15:33	
Total xylenes	290000	5000	ug/Kg	10.00	05/10/2004 15:33	
tert-Butyl alcohol (TBA)	ND	25000	ug/Kg	10.00	05/10/2004 15:33	
Methyl tert-butyl ether (MTBE)	ND	5000	ug/Kg	10.00	05/10/2004 15:33	
Di-isopropyl Ether (DIPE)	ND	10000	ug/Kg	10.00	05/10/2004 15:33	
Ethyl tert-butyl ether (ETBE)	ND	5000	ug/Kg	10.00	05/10/2004 15:33	
tert-Amyl methyl ether (TAME)	ND	5000	ug/Kg	10.00	05/10/2004 15:33	
Surrogate(s)						
1,2-Dichloroethane-d4	NA	70-121	%	10.00	05/10/2004 15:33	sd
Toluene-d8	NA	81-117	%	10.00	05/10/2004 15:33	sd

Gas/BTEXFuel Oxygenates by 8260B (High Level)

ACC Environmental Consultants

Attn.: Ed Giacometti

7977 Capwell Drive, Suite 100

Oakland, CA 94621

Phone: (510) 638-8400 Fax: (510) 638-8404

Project: 6546-006.00

1210 Bockman Rd

Received: 04/29/2004 18:50

Prep(s):	5130B	Test(s):	8260B
Sample ID:	P3-2-0	Lab ID:	2004-04-0932-6
Sampled:	04/29/2004 14:40	Extracted:	05/11/2004 12:19
Matrix:	Soil	QC Batch#:	2004-05-10-05-59

Compound	Conc.	RL	Unit	Dilution	Analyzed	Flag
Gasoline	690000	50000	ug/Kg	1.00	05/11/2004 12:19	
Benzene	8500	500	ug/Kg	1.00	05/11/2004 12:19	
Toluene	9200	500	ug/Kg	1.00	05/11/2004 12:19	
Ethyl benzene	3300	500	ug/Kg	1.00	05/11/2004 12:19	
Total xylenes	18000	500	ug/Kg	1.00	05/11/2004 12:19	
tert-Butyl alcohol (TBA)	ND	2500	ug/Kg	1.00	05/11/2004 12:19	
Methyl tert-butyl ether (MTBE)	ND	500	ug/Kg	1.00	05/11/2004 12:19	
Di-isopropyl Ether (DIPE)	ND	1000	ug/Kg	1.00	05/11/2004 12:19	
Ethyl tert-butyl ether (ETBE)	ND	500	ug/Kg	1.00	05/11/2004 12:19	
tert-Amyl methyl ether (TAME)	ND	500	ug/Kg	1.00	05/11/2004 12:19	
Surrogate(s)						
1,2-Dichloroethane-d4	2.7	70-121	%	1.00	05/11/2004 12:19	sl
Toluene-d8	3.2	81-117	%	1.00	05/11/2004 12:19	sl

Gas/BTEXFuel Oxygenates by 8260B (High Level)

ACC Environmental Consultants

Attn.: Ed Giacometti

7977 Capwell Drive, Suite 100
Oakland, CA 94621
Phone: (510) 638-8400 Fax: (510) 638-8404

Project: 6546-006.00
1210 Bockman Rd

Received: 04/29/2004 18:50

Batch QC Report					
Prop(s): 5030B					Test(s): 8260B
Method: Blank		Soil			QC Batch #: 2004/05/10/03/89
MB: 2004/05/10/03/69/020					Date Extracted: 05/10/2004 11:20

Compound	Conc.	RL	Unit	Analyzed	Flag
Gasoline	ND	50000	ug/Kg	05/10/2004 11:20	
Benzene	ND	500	ug/Kg	05/10/2004 11:20	
Toluene	ND	500	ug/Kg	05/10/2004 11:20	
Ethyl benzene	ND	500	ug/Kg	05/10/2004 11:20	
Total xylenes	ND	500	ug/Kg	05/10/2004 11:20	
tert-Butyl alcohol (TBA)	ND	2500	ug/Kg	05/10/2004 11:20	
Methyl tert-butyl ether (MTBE)	ND	500	ug/Kg	05/10/2004 11:20	
Di-isopropyl Ether (DIPE)	ND	1000	ug/Kg	05/10/2004 11:20	
Ethyl tert-butyl ether (ETBE)	ND	500	ug/Kg	05/10/2004 11:20	
tert-Amyl methyl ether (TAME)	ND	500	ug/Kg	05/10/2004 11:20	
Surrogates(s)					
1,2-Dichloroethane-d4	92.3	70-121	%	05/10/2004 11:20	
Toluene-d8	103.9	81-117	%	05/10/2004 11:20	

Severn Trent Laboratories, Inc.

STL San Francisco * 1220 Quarry Lane, Pleasanton, CA 94566

Tel 925 484 1919 Fax 925 484 1096 * www.stl-inc.com * CA DHS ELAP# 2496

05/11/2004 14:52

Gas/BTEX Fuel Oxygenates by 8260B (High Level)

ACC Environmental Consultants

Attn.: Ed Giacometti

7977 Capwell Drive, Suite 100
Oakland, CA 94621
Phone: (510) 638-8400 Fax: (510) 638-8404

Project: 6546-006.00
1210 Bockman Rd

Received: 04/29/2004 18:50

Batch QC Report			
Exp(S): 8260B			Test(S): 8260B
Laboratory Control Spike	Soil		QC Batch #: 2004/05/10/03.89
LCS: 2004/05/10/03.89.057	Extracted: 05/10/2004		Analyzed: 05/10/2004 11:57
LCSD: 2004/05/10/03.89.015	Extracted: 05/10/2004		Analyzed: 05/10/2004 12:15

Compound	Conc. ug/Kg		Exp.Conc.	Recovery %		RPD	Ctrl.Limits %		Flags	
	LCS	LCSD		LCS	LCSD		%	Rec.	RPD	LCS
Benzene	9070	9440	10000	90.7	94.4	4.0	69-129	20		
Toluene	9940	9970	10000	99.4	99.7	0.3	70-130	20		
Methyl tert-butyl ether (MTBE)	8480	8860	10000	84.8	88.6	4.4	65-165	20		
Surrogates(s)										
1,2-Dichloroethane-d4	184	188	250	73.6	75.2		70-121			
Toluene-d8	223	232	250	89.2	92.8		81-117			

Gas/BTEXFuel Oxygenates by 8260B (High Level)

ACC Environmental Consultants

Attn.: Ed Giacometti

7977 Capwell Drive, Suite 100

Oakland, CA 94621

Phone: (510) 638-8400 Fax: (510) 638-8404

Project: 6546-006.00

1210 Bockman Rd

Received: 04/29/2004 18:50

Legend and Notes

Analysis Flag

o

Reporting limits were raised due to high level of analyte present in the sample.

Result Flag

sd

Surrogate recovery not reportable due to required dilution.

sl

Surrogate recoveries were lower than QC limit due to matrix interference, confirmed by reanalysis.

2004-04-0932

Report To: Attn: ED GIACOMETTI **Analysis Request:**

Company: ACC ENVIRONMENTAL CONSULTANTS
Address: 7977 CAPWELL DRIVE, OAKLAND, CA
P: (510) 638-8400 x114 | **E: edgiacomatti@accenv.com**
Bill To: ACC ENVIRONMENTAL | **Sampled By:** Ed Giacometti
Analyst: ED | **Phone ext:** 114

Sample ID	Date	Time	Mat. In	Pres. Eq.	TPH/EPA	Purgeable Aromatics	TPH EPA 8015M	TPH EPA 8015M	TPH EPA 8015M	Purgeable Halocarbons	Volatile Organics GC/MS	Semivolatiles GC/MS	Oil and Grease	Pesticides	PAHs	CMH7 Metals	Mercury	WET (STEO)	Residual Chromium	Spec. Grav.	Alkalinity	Anions	Number of Containers
D1-2.0	4/29/04	13:25	3	QB	<input type="checkbox"/>	<input type="checkbox"/>	<input type="checkbox"/>	<input type="checkbox"/>	<input type="checkbox"/>	<input type="checkbox"/>	<input type="checkbox"/>	<input type="checkbox"/>	<input type="checkbox"/>	<input type="checkbox"/>	<input type="checkbox"/>	<input type="checkbox"/>	<input type="checkbox"/>	<input type="checkbox"/>	<input type="checkbox"/>	<input type="checkbox"/>	<input type="checkbox"/>	<input type="checkbox"/>	1
D2-2.0		13:35			<input type="checkbox"/>	<input type="checkbox"/>	<input type="checkbox"/>	<input type="checkbox"/>	<input type="checkbox"/>	<input type="checkbox"/>	<input type="checkbox"/>	<input type="checkbox"/>	<input type="checkbox"/>	<input type="checkbox"/>	<input type="checkbox"/>	<input type="checkbox"/>	<input type="checkbox"/>	<input type="checkbox"/>	<input type="checkbox"/>	<input type="checkbox"/>	<input type="checkbox"/>	<input type="checkbox"/>	1
D3-2.0		14:05			<input type="checkbox"/>	<input type="checkbox"/>	<input type="checkbox"/>	<input type="checkbox"/>	<input type="checkbox"/>	<input type="checkbox"/>	<input type="checkbox"/>	<input type="checkbox"/>	<input type="checkbox"/>	<input type="checkbox"/>	<input type="checkbox"/>	<input type="checkbox"/>	<input type="checkbox"/>	<input type="checkbox"/>	<input type="checkbox"/>	<input type="checkbox"/>	<input type="checkbox"/>	<input type="checkbox"/>	1
D4-2.0		14:05			<input type="checkbox"/>	<input type="checkbox"/>	<input type="checkbox"/>	<input type="checkbox"/>	<input type="checkbox"/>	<input type="checkbox"/>	<input type="checkbox"/>	<input type="checkbox"/>	<input type="checkbox"/>	<input type="checkbox"/>	<input type="checkbox"/>	<input type="checkbox"/>	<input type="checkbox"/>	<input type="checkbox"/>	<input type="checkbox"/>	<input type="checkbox"/>	<input type="checkbox"/>	<input type="checkbox"/>	1
P2-2.0		14:10			<input type="checkbox"/>	<input type="checkbox"/>	<input type="checkbox"/>	<input type="checkbox"/>	<input type="checkbox"/>	<input type="checkbox"/>	<input type="checkbox"/>	<input type="checkbox"/>	<input type="checkbox"/>	<input type="checkbox"/>	<input type="checkbox"/>	<input type="checkbox"/>	<input type="checkbox"/>	<input type="checkbox"/>	<input type="checkbox"/>	<input type="checkbox"/>	<input type="checkbox"/>	<input type="checkbox"/>	1
P3-2.0		14:50		W	<input type="checkbox"/>	<input type="checkbox"/>	<input type="checkbox"/>	<input type="checkbox"/>	<input type="checkbox"/>	<input type="checkbox"/>	<input type="checkbox"/>	<input type="checkbox"/>	<input type="checkbox"/>	<input type="checkbox"/>	<input type="checkbox"/>	<input type="checkbox"/>	<input type="checkbox"/>	<input type="checkbox"/>	<input type="checkbox"/>	<input type="checkbox"/>	<input type="checkbox"/>	<input type="checkbox"/>	1

Project Info.		Sample Receipt		1) Relinquished by:		2) Relinquished by:		3) Relinquished by:	
Project Name: <u>1010 Bockman Rd</u>		# of Containers: _____		Signature: <u>[Signature]</u>		Signature: <u>[Signature]</u>		Signature: _____	
Project#: <u>1096-06-00</u>		Head Space: _____		Printed Name: <u>ED GIACOMETTI</u>		Printed Name: <u>R. Allen</u>		Printed Name: _____	
Credit Card#: _____		Temp: <u>2.0°C</u>		Company: <u>ACC ENVIRONMENTAL CONSULTANTS</u>		Company: <u>STL-SF</u>		Company: _____	
T <input type="checkbox"/> A <input type="checkbox"/> S <input type="checkbox"/> D <input type="checkbox"/> Day		Conforms to record: <input type="checkbox"/>		Company: _____		Company: _____		Company: _____	
72h <input type="checkbox"/> 48h <input type="checkbox"/> 24h <input type="checkbox"/>		Other: _____		1) Received by: <u>[Signature]</u>		2) Received by: <u>[Signature]</u>		3) Received by: _____	
Report: <input checked="" type="checkbox"/> Routine <input type="checkbox"/> Level 3 <input type="checkbox"/> Level 4 <input type="checkbox"/> EDD <input type="checkbox"/> State/Tank/Prod/Ed <input type="checkbox"/> Global ID <input type="checkbox"/>		Special Instructions / Comments: _____		Signature: <u>[Signature]</u>		Signature: <u>[Signature]</u>		Signature: _____	
				Printed Name: <u>R. Allen</u>		Printed Name: <u>[Signature]</u>		Printed Name: _____	
				Date: <u>4/29/04</u>		Date: <u>4/29/04</u>		Date: _____	
				Company: <u>STL-SF</u>		Company: <u>STL-SF</u>		Company: _____	

ACC Environmental Consultants

April 21, 2004

7977 Capwell Drive, Suite 100
Oakland, CA 94621

Attn.: Ed Giacometti
Project: 1210 Bockman Road

Dear Mr. Giacometti,

Attached is our report for your samples received on 04/15/2004 17:15

This report has been reviewed and approved for release. Reproduction of this report is permitted only in its entirety.

Please note that any unused portion of the samples will be discarded after 05/30/2004 unless you have requested otherwise.

We appreciate the opportunity to be of service to you. If you have any questions, please call me at (925) 484-1919.

You can also contact me via email. My email address is: vvancil@stl-inc.com

Sincerely,



Vincent Vancil
Project Manager

2004-04-0505

Report To **Analysis Request**

Attn: ED GIACOMETTI		Company: ACC ENVIRONMENTAL CONSULTANTS	
Address: 7977 CARWELL DRIVE, OAKLAND, CA		P: (510) 888-8400 x 114 E: egiacometti@accenv.com	
Bill To: ACC ENVIRONMENTAL	Sampled By: <i>Ed Giacometti</i>	Attn: ED Phone ext: 114	

Sample ID	Date	Time	Flow rate	Pres atm	TPH EPA - <input type="checkbox"/> 8260 <input type="checkbox"/> 8268 <input type="checkbox"/> Gas W <input type="checkbox"/> BYEX <input type="checkbox"/> MTBE	Purposable Aromatics BTX EPA - <input type="checkbox"/> 801 <input type="checkbox"/> 8250B	TERH EPA 801-8M <input type="checkbox"/> Sides Gas <input type="checkbox"/> Diesel <input type="checkbox"/> Motor Oil <input type="checkbox"/> Other	Fuel Tests EPA 802-8B: <input type="checkbox"/> Gas <input type="checkbox"/> BTX <input type="checkbox"/> Five Organics <input type="checkbox"/> DOC <input type="checkbox"/> EOB <input type="checkbox"/> Ethanol	Purposable Halocarbons (HVMOCs) EPA 8021	Visible Organics (VOCs) (MOCs) <input type="checkbox"/> EPA 8260B <input type="checkbox"/> 824	Semivolatiles (SVOCs) <input type="checkbox"/> EPA 8270 <input type="checkbox"/> 825	Oil and Grease (EPA 1631) <input type="checkbox"/> Total	Pesticides <input type="checkbox"/> EPA 8081 <input type="checkbox"/> 808 <input type="checkbox"/> PCBs <input type="checkbox"/> EPA 8082 <input type="checkbox"/> 808	FINAS by <input type="checkbox"/> 8270 <input type="checkbox"/> 8310	CAM17 Metals (EPA 8210/9707471)	Metals: <input type="checkbox"/> Lead <input type="checkbox"/> LUFT <input type="checkbox"/> RCRA <input type="checkbox"/> Other	WET (STLO) <input type="checkbox"/> TC/P	Hexavalent Chromium pH (24h hold time for H ₂ O)	Spec Cond <input type="checkbox"/> Alkalinity TSS <input type="checkbox"/> TDS	Anions: <input type="checkbox"/> SO ₄ <input type="checkbox"/> NO ₃ <input type="checkbox"/> F <input type="checkbox"/> Br <input type="checkbox"/> NO ₂ <input type="checkbox"/> PO ₄	Number of Containers				
TP1-9.0	4/14/04	13:45	S	Cold			X																		
TP2-9.0	4/14/04	14:40	S	Cold			X																		
TP3-9.5	4/14/04	14:55	S	Cold			X																		
PI-1.0	4/14/04	15:30	S	Cold			X																		

Project Info.				Sample Receipt			
Project Name: <u>1210 Berkman Road</u>				# of Containers:			
Project#:				Head Space:			
PO#:				Temp: <u>2.0</u>			
Credit Card#:				Conforms to record:			
T	A	Std 5 Day	72h	48h	24h	Other:	
Report: <input checked="" type="checkbox"/> Routine <input type="checkbox"/> Level 3 <input type="checkbox"/> Level 4 <input type="checkbox"/> EDO <input type="checkbox"/> State Task Fund EOP <input type="checkbox"/> Global ID				Special Instructions / Comments:			

1) Relinquished by: <i>Ed Giacometti</i> Signature _____ Time _____ ED GIACOMETTI Printed Name _____ Date <u>4/15/04</u>		2) Relinquished by: <i>Allen</i> Signature _____ Time _____ Allen Printed Name _____ Date <u>4-15-04</u>		3) Relinquished by:	
ACC ENVIRONMENTAL CONSULTANTS Company		STL-SF Company		Company	

1) Received by: <i>Allen</i> Signature _____ Time _____ Allen Printed Name _____ Date <u>4/15/04</u>		2) Received by: <i>Smith</i> Signature _____ Time _____ Smith Printed Name _____ Date <u>4/15/04</u>		3) Received by:	
STL-SF Company		STL-SF Company		Company	

Fuel Oxygenates by 8260B

ACC Environmental Consultants

Attn.: Ed Giacometti

7977 Capwell Drive, Suite 100

Oakland, CA 94621

Phone: (510) 638-8400 Fax: (510) 638-8404

Project: 1210 Bockman Road

Received: 04/15/2004 17:15

Samples Reported

Sample Name	Date Sampled	Matrix	Lab #
TP1-9.0	04/14/2004 13:45	Soil	1
TP2-9.0	04/14/2004 14:40	Soil	2
TP3-8.5	04/14/2004 14:45	Soil	3
P1-1.0	04/14/2004 15:30	Soil	4

Severn Trent Laboratories, Inc.

STL San Francisco * 1220 Quarry Lane, Pleasanton, CA 94566

Tel 925 484 1919 Fax 925 484 1096 * www.stl-inc.com * CA DHS ELAP# 2496

04/21/2004 17:04

Fuel Oxygenates by 8260B

ACC Environmental Consultants

Attn.: Ed Giacometti

7977 Capwell Drive, Suite 100
Oakland, CA 94621
Phone: (510) 638-8400 Fax: (510) 638-8404

Project: 1210 Bockman Road

Received: 04/15/2004 17:15

Prep(s):	5030B	Test(s):	8260B
Sample ID:	TP1-9.0	Lab ID:	2004-04-0505 - 1
Sampled:	04/14/2004 13:45	Extracted:	4/20/2004 10:33
Matrix:	Soil	QC Batch#:	2004/04/20-01:69

Compound	Conc.	RL	Unit	Dilution	Analyzed	Flag
Gasoline	ND	1000	ug/Kg	1.00	04/20/2004 10:33	
tert-Butyl alcohol (TBA)	ND	10	ug/Kg	1.00	04/20/2004 10:33	
Methyl tert-butyl ether (MTBE)	ND	5.0	ug/Kg	1.00	04/20/2004 10:33	
Di-isopropyl Ether (DIPE)	ND	10	ug/Kg	1.00	04/20/2004 10:33	
Ethyl tert-butyl ether (ETBE)	ND	5.0	ug/Kg	1.00	04/20/2004 10:33	
tert-Amyl methyl ether (TAME)	ND	5.0	ug/Kg	1.00	04/20/2004 10:33	
1,2-DCA	ND	5.0	ug/Kg	1.00	04/20/2004 10:33	
EDB	ND	5.0	ug/Kg	1.00	04/20/2004 10:33	
Benzene	ND	5.0	ug/Kg	1.00	04/20/2004 10:33	
Toluene	ND	5.0	ug/Kg	1.00	04/20/2004 10:33	
Ethyl benzene	ND	5.0	ug/Kg	1.00	04/20/2004 10:33	
Total xylenes	ND	5.0	ug/Kg	1.00	04/20/2004 10:33	
Surrogate(s)						
1,2-Dichloroethane-d4	85.2	70-121	%	1.00	04/20/2004 10:33	
Toluene-d8	95.5	81-117	%	1.00	04/20/2004 10:33	

Severn Trent Laboratories, Inc.

STL San Francisco * 1220 Quarry Lane, Pleasanton, CA 94566

Tel 925 484 1919 Fax 925 484 1096 * www.stl-inc.com * CA DHS ELAP# 2496

04/21/2004 17:04

Fuel Oxygenates by 8260B

ACC Environmental Consultants

Attn.: Ed Giacometti

7977 Capwell Drive, Suite 100
Oakland, CA 94621
Phone: (510) 638-8400 Fax: (510) 638-8404

Project: 1210 Bockman Road

Received: 04/15/2004 17:15

Prep(s):	5030B	Test(s):	8260B
Sample ID:	TP2-9.0	Lab ID:	2004-04-0505 - 2
Sampled:	04/14/2004 14:40	Extracted:	4/20/2004 11:28
Matrix:	Soil	QC Batch#:	2004/04/20-01.69

Compound	Conc.	RL	Unit	Dilution	Analyzed	Flag
Gasoline	ND	1000	ug/Kg	1.00	04/20/2004 11:28	
tert-Butyl alcohol (TBA)	18 ^x	10	ug/Kg	1.00	04/20/2004 11:28	
Methyl tert-butyl ether (MTBE)	ND	5.0	ug/Kg	1.00	04/20/2004 11:28	
Di-isopropyl Ether (DIPE)	ND	10	ug/Kg	1.00	04/20/2004 11:28	
Ethyl tert-butyl ether (ETBE)	ND	5.0	ug/Kg	1.00	04/20/2004 11:28	
tert-Amyl methyl ether (TAME)	ND	5.0	ug/Kg	1.00	04/20/2004 11:28	
1,2-DCA	ND	5.0	ug/Kg	1.00	04/20/2004 11:28	
EDB	ND	5.0	ug/Kg	1.00	04/20/2004 11:28	
Benzene	ND	5.0	ug/Kg	1.00	04/20/2004 11:28	
Toluene	ND	5.0	ug/Kg	1.00	04/20/2004 11:28	
Ethyl benzene	ND	5.0	ug/Kg	1.00	04/20/2004 11:28	
Total xylenes	ND	5.0	ug/Kg	1.00	04/20/2004 11:28	
Surrogate(s)						
1,2-Dichloroethane-d4	84.2	70-121	%	1.00	04/20/2004 11:28	
Toluene-d8	94.0	81-117	%	1.00	04/20/2004 11:28	

Fuel Oxygenates by 8260B

ACC Environmental Consultants

Attn.: Ed Giacometti

7977 Capwell Drive, Suite 100
Oakland, CA 94621
Phone: (510) 638-8400 Fax: (510) 638-8404

Project: 1210 Bockman Road

Received: 04/15/2004 17:15

Prep(s):	5030B	Test(s):	8260B
Sample ID:	TP3-8.5	Lab ID:	2004-04-0505 - 3
Sampled:	04/14/2004 14:45	Extracted:	4/20/2004 11:46
Matrix:	Soil	QC Batch#:	2004/04/20-01.69

Compound	Conc.	RL	Unit	Dilution	Analyzed	Flag
Gasoline	ND	1000	ug/Kg	1.00	04/20/2004 11:46	
tert-Butyl alcohol (TBA)	ND	10	ug/Kg	1.00	04/20/2004 11:46	
Methyl tert-butyl ether (MTBE)	ND	5.0	ug/Kg	1.00	04/20/2004 11:46	
Di-isopropyl Ether (DIPE)	ND	10	ug/Kg	1.00	04/20/2004 11:46	
Ethyl tert-butyl ether (ETBE)	ND	5.0	ug/Kg	1.00	04/20/2004 11:46	
tert-Amyl methyl ether (TAME)	ND	5.0	ug/Kg	1.00	04/20/2004 11:46	
1,2-DCA	ND	5.0	ug/Kg	1.00	04/20/2004 11:46	
EDB	ND	5.0	ug/Kg	1.00	04/20/2004 11:46	
Benzene	ND	5.0	ug/Kg	1.00	04/20/2004 11:46	
Toluene	ND	5.0	ug/Kg	1.00	04/20/2004 11:46	
Ethyl benzene	ND	5.0	ug/Kg	1.00	04/20/2004 11:46	
Total xylenes	ND	5.0	ug/Kg	1.00	04/20/2004 11:46	
Surrogate(s)						
1,2-Dichloroethane-d4	85.5	70-121	%	1.00	04/20/2004 11:46	
Toluene-d8	91.5	81-117	%	1.00	04/20/2004 11:46	

Fuel Oxygenates by 8260B

ACC Environmental Consultants

Attn.: Ed Giacometti

7977 Capwell Drive, Suite 100
Oakland, CA 94621
Phone: (510) 638-8400 Fax: (510) 638-8404

Project: 1210 Bockman Road

Received: 04/15/2004 17:15

Prep(s): 5030B Test(s): 8260B
Sample ID: P1-10 Lab ID: 2004-04-0505 - 4
Sampled: 04/14/2004 15:30 Extracted: 4/20/2004 12:04
Matrix: Soil QC Batch#: 2004/04/20-01.69

Compound	Conc.	RL	Unit	Dilution	Analyzed	Flag
Gasoline	ND	1000	ug/Kg	1.00	04/20/2004 12:04	
tert-Butyl alcohol (TBA)	ND	10	ug/Kg	1.00	04/20/2004 12:04	
Methyl tert-butyl ether (MTBE)	ND	5.0	ug/Kg	1.00	04/20/2004 12:04	
Di-isopropyl Ether (DIPE)	ND	10	ug/Kg	1.00	04/20/2004 12:04	
Ethyl tert-butyl ether (ETBE)	ND	5.0	ug/Kg	1.00	04/20/2004 12:04	
tert-Amyl methyl ether (TAME)	ND	5.0	ug/Kg	1.00	04/20/2004 12:04	
1,2-DCA	ND	5.0	ug/Kg	1.00	04/20/2004 12:04	
EDB	ND	5.0	ug/Kg	1.00	04/20/2004 12:04	
Benzene	ND	5.0	ug/Kg	1.00	04/20/2004 12:04	
Toluene	ND	5.0	ug/Kg	1.00	04/20/2004 12:04	
Ethyl benzene	ND	5.0	ug/Kg	1.00	04/20/2004 12:04	
Total xylenes	ND	5.0	ug/Kg	1.00	04/20/2004 12:04	
Surrogate(s)						
1,2-Dichloroethane-d4	89.0	70-121	%	1.00	04/20/2004 12:04	
Toluene-d8	88.3	81-117	%	1.00	04/20/2004 12:04	

Severn Trent Laboratories, Inc.

STL San Francisco * 1220 Quarry Lane, Pleasanton, CA 94566

Tel 925 484 1919 Fax 925 484 1096 * www.stl-inc.com * CA DHS ELAP# 2496

04/21/2004 17:04

Fuel Oxygenates by 8260B

ACC Environmental Consultants

Attn.: Ed Giacometti

7977 Capwell Drive, Suite 100

Oakland, CA 94621

Phone: (510) 638-8400 Fax: (510) 638-8404

Project: 1210 Bockman Road

Received: 04/15/2004 17:15

Batch QC Report

Prep(s): 5030B

Test(s): 8260B

Method Blank

Soil

QC Batch # 2004/04/20-01.69

MB: 2004/04/20-01.69-003

Date Extracted: 04/20/2004 09:03

Compound	Conc.	RL	Unit	Analyzed	Flag
Gasoline	ND	1000	ug/Kg	04/20/2004 09:03	
tert-Butyl alcohol (TBA)	ND	10.0	ug/Kg	04/20/2004 09:03	
Methyl tert-butyl ether (MTBE)	ND	5.0	ug/Kg	04/20/2004 09:03	
Di-isopropyl Ether (DIPE)	ND	10.0	ug/Kg	04/20/2004 09:03	
Ethyl tert-butyl ether (ETBE)	ND	5.0	ug/Kg	04/20/2004 09:03	
tert-Amyl methyl ether (TAME)	ND	5.0	ug/Kg	04/20/2004 09:03	
1,2-DCA	ND	5.0	ug/Kg	04/20/2004 09:03	
EDB	ND	5.0	ug/Kg	04/20/2004 09:03	
Benzene	ND	5.0	ug/Kg	04/20/2004 09:03	
Toluene	ND	5.0	ug/Kg	04/20/2004 09:03	
Ethyl benzene	ND	5.0	ug/Kg	04/20/2004 09:03	
Total xylenes	ND	5.0	ug/Kg	04/20/2004 09:03	
Surrogates(s)					
1,2-Dichloroethane-d4	93.2	70-121	%	04/20/2004 09:03	
Toluene-d8	95.7	81-117	%	04/20/2004 09:03	

Fuel Oxygenates by 8260B

ACC Environmental Consultants

Attn.: Ed Giacometti

7977 Capwell Drive, Suite 100
Oakland, CA 94621
Phone: (510) 638-8400 Fax: (510) 638-8404

Project: 1210 Bockman Road

Received: 04/15/2004 17:15

Batch QC Report

Prep(s): 5030B

Test(s): 8260B

Laboratory Control Spike

Soil

QC Batch # 2004/04/20-01.69

LCS 2004/04/20-01.69-027

Extracted: 04/20/2004

Analyzed: 04/20/2004 08:27

LCSD 2004/04/20-01.69-045

Extracted: 04/20/2004

Analyzed: 04/20/2004 08:45

Compound	Conc. ug/Kg		Exp. Conc.	Recovery %		RPD	Ctrl. Limits %		Flags	
	LCS	LCSD		LCS	LCSD		%	Rec.	RPD	LCS
Methyl tert-butyl ether (MTBE)	52.4	55.1	50.0	104.8	110.2	5.0	65-165	20		
Benzene	51.8	50.7	50.0	103.6	101.4	2.1	69-129	20		
Toluene	48.2	48.3	50.0	96.4	96.6	0.2	70-130	20		
Surrogates(s)										
1,2-Dichloroethane-d4	421	463	500	84.2	92.6		70-121			
Toluene-d8	471	457	500	94.2	91.4		81-117			

Severn Trent Laboratories, Inc.

STL San Francisco * 1220 Quarry Lane, Pleasanton, CA 94566

Tel 925 484 1919 Fax 925 484 1096 * www.stl-inc.com * CA DHS ELAP# 2496

04/21/2004 17:04

Fuel Oxygenates by 8260B

ACC Environmental Consultants

Attn.: Ed Giacometti

7977 Capwell Drive, Suite 100
Oakland, CA 94621
Phone: (510) 638-8400 Fax: (510) 638-8404

Project: 1210 Bockman Road

Received: 04/15/2004 17:15

Batch QC Report

Prep(s): 5030B

Test(s): 8260B

Matrix Spike (MS / MSD)

Soil

QC Batch # 2004/04/20-01.69

TP1-9.0 >> MS

Lab ID: 2004-04-0505 - 001

MS: 2004/04/20-01.69-051

Extracted: 04/20/2004

Analyzed: 04/20/2004 10:51

Dilution: 1.00

MSD: 2004/04/20-01.69-009

Extracted: 04/20/2004

Analyzed: 04/20/2004 11:09

Dilution: 1.00

Compound	Conc. ug/Kg		Spk. Level	Recovery %			Limits %		Flags		
	MS	MSD		Sample	ug/Kg	MS	MSD	RPD	Rec.	RPD	MS
Methyl tert-butyl ether	40.6	40.4	ND	47.7	85.1	83.5	1.9	65-165	20		
Benzene	47.1	48.9	ND	47.7	98.7	101.0	2.3	69-129	20		
Toluene	47.1	46.4	ND	47.7	98.7	95.9	2.9	70-130	20		
Surrogate(s)											
1,2-Dichloroethane-d4	394	408		500	78.7	81.6		70-121			
Toluene-d8	462	459		500	92.5	91.8		81-117			

Severn Trent Laboratories, Inc.

STL San Francisco * 1220 Quarry Lane, Pleasanton, CA 94566

Tel 925 484 1919 Fax 925 484 1096 * www.stl-inc.com * CA DHS ELAP# 2496

04/21/2004 17:04

Report To Analysis Request

Attn: ED GIACOMETTI
 Company: ACC ENVIRONMENTAL CONSULTANTS
 Address: 7977 CAPWELL DRIVE, OAKLAND, CA
 P: (510) 638-8400 x 114 E: egiacometti@accenv.com
 Bill To: ACC ENVIRONMENTAL
 Sampled By: Ed Giacometti
 Attn: ED Phone ext: 114

TPH EPA - <input type="checkbox"/> 80156021 <input type="checkbox"/> 8260B <input type="checkbox"/> Gas w/ <input type="checkbox"/> BTEX <input type="checkbox"/> MTBE	Purgeable Aromatics BTX EPA - <input type="checkbox"/> 8021 <input type="checkbox"/> 8260B	TEPH EPA 8015M <input type="checkbox"/> Silica Gel <input type="checkbox"/> Diesel <input type="checkbox"/> Motor Oil <input type="checkbox"/> Other	File Tests EPA 8260B: <input checked="" type="checkbox"/> Gas <input checked="" type="checkbox"/> BTEX <input checked="" type="checkbox"/> Five Oxidates <input type="checkbox"/> DCA, EDB <input type="checkbox"/> Ethanol	Purgeable Halocarbons (HVCs) EPA 8021	Volatile Organics GC/MS (VOCs) <input type="checkbox"/> EPA 8260B <input type="checkbox"/> 824	Semivolatiles GC/MS <input type="checkbox"/> EPA 8270 <input type="checkbox"/> 625	Oil and Grease <input type="checkbox"/> Petroleum (EPA 1664) <input type="checkbox"/> Total	Pesticides <input type="checkbox"/> EPA 8081 <input type="checkbox"/> 608 <input type="checkbox"/> PCBs <input type="checkbox"/> EPA 8082 <input type="checkbox"/> 608	PNAs by <input type="checkbox"/> 8270 <input type="checkbox"/> 8310	CAM17 Metals (EPA 6010/7470/7471)	Metals: <input type="checkbox"/> Lead <input type="checkbox"/> LUFT <input type="checkbox"/> RCRA <input type="checkbox"/> Other	W.E.T (STLC) <input type="checkbox"/> TCLP	Hexavalent Chromium pH (24h hold time for H ₂ O)	Spec Cond. <input type="checkbox"/> Alkalinity TSS <input type="checkbox"/> TDS	Anions: <input type="checkbox"/> Cl <input type="checkbox"/> SO ₄ <input type="checkbox"/> NO ₃ <input type="checkbox"/> F <input type="checkbox"/> Br <input type="checkbox"/> NO ₂ <input type="checkbox"/> PO ₄	EDC	Number of Containers	
TP1-9.0	4/14/04	13:45	S	Cold			X											
TP2-9.0	4/14/04	14:40	S	Cold			X											
TP3-9.3	4/14/04	14:55	S	Cold			X											
P1-1.0	4/14/04	15:30	S	Cold			X											

Project Info.
 Project Name: 121D Bockman Road.
 Project#: _____
 PO#: _____
 Credit Card#: _____

Sample Receipt
 # of Containers: _____
 Head Space: _____
 Temp: 2.0
 Conforms to record: _____
 Other: _____

Report: Routine Level 3 Level 4 EDD State Tank Fund EOF
 Special Instructions / Comments: _____

1) Relinquished by:
 Signature: *Ed Giacometti*
 Printed Name: ED GIACOMETTI
 Company: ACC ENVIRONMENTAL CONSULTANTS Company
 Date: 4/15/04

1) Received by:
 Signature: *R Allen*
 Printed Name: R Allen
 Company: STL-SF
 Date: 4/15/04

2) Relinquished by:
 Signature: *R Allen*
 Printed Name: R Allen
 Company: STL-SF
 Date: 4-15/04

2) Received by:
 Signature: *J Matford*
 Printed Name: J Matford
 Company: STL-SF
 Date: 4/15/04

3) Relinquished by:
 Signature: _____
 Printed Name: _____
 Company: _____

3) Received by:
 Signature: _____
 Printed Name: _____
 Company: _____

STL San Francisco

Sample Receipt Checklist

Submission #: 2004- 04 - 0505

Checklist completed by: (initials) MV Date: 04, 16 /04

Courier name: STL San Francisco Client _____

- Custody seals intact on shipping container/samples? Yes ___ No ___ Not Present
- Chain of custody present? Yes No ___
- Chain of custody signed when relinquished and received? Yes No ___
- Chain of custody agrees with sample labels? Yes No ___
- Samples in proper container/bottle? Yes No ___
- Sample containers intact? Yes No ___
- Sufficient sample volume for indicated test? Yes No ___
- All samples received within holding time? Yes No ___
- Container/Temp Blank temperature in compliance ($4^{\circ}C \pm 2$)? Temp 2.0°C Yes No ___
- Ice Present Yes No ___
- Water - VOA vials have zero headspace? No VOA vials submitted Yes ___ No ___

(if bubble is present, refer to approximate bubble size and itemize in comments as S (small ~O), M (medium ~ O) or L (large ~ O))

Water - pH acceptable upon receipt? Yes No SOIL
 pH adjusted- Preservative used: HNO₃ HCl H₂SO₄ NaOH ZnOAc -Lot #(s) _____

For any item check-listed "No", provided detail of discrepancy in comment section below:

Comments:

Project Management [Routing for instruction of indicated discrepancy(ies)]

Project Manager: (initials) _____ Date: _____ / _____ /04

Client contacted: Yes No

Summary of discussion:

Corrective Action (per PM/Client):

