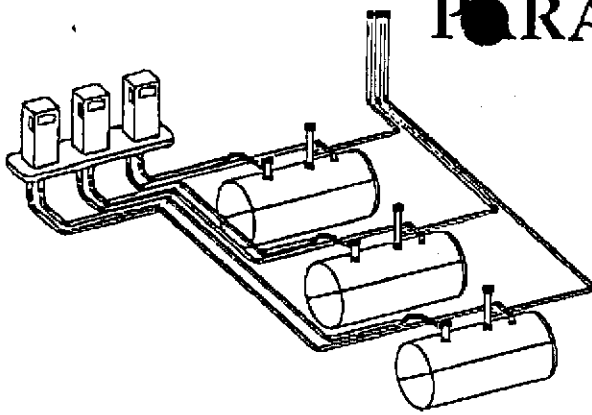


PARADISO MECHANICAL, INC.

GENERAL & PETROLEUM CONTRACTORS
and ENVIRONMENTAL SERVICES

P.O. BOX 1836
2600 WILLIAMS STREET
SAN LEANDRO, CA 94577

LICENSE NO. 677909
PHONE (510) 614-8390
FAX (510) 614-8396



FAX COVER SHEET *PARADISO@PMINC.NET*

DATE: 11-24-03

NUMBER OF PAGES INCLUDING COVER SHEET: 2

TO: Alameda County

ATTENTION: Robert Weston.

FAX NUMBER: 337-9335

FROM: Eric "Rick" V. Montesano - ext. 104

SUBJECT: Allied Engineering.

Rob give me a call when you
get a chance. I would like to
discuss this tank removal before
I quote to them.

Thanks
Rick.

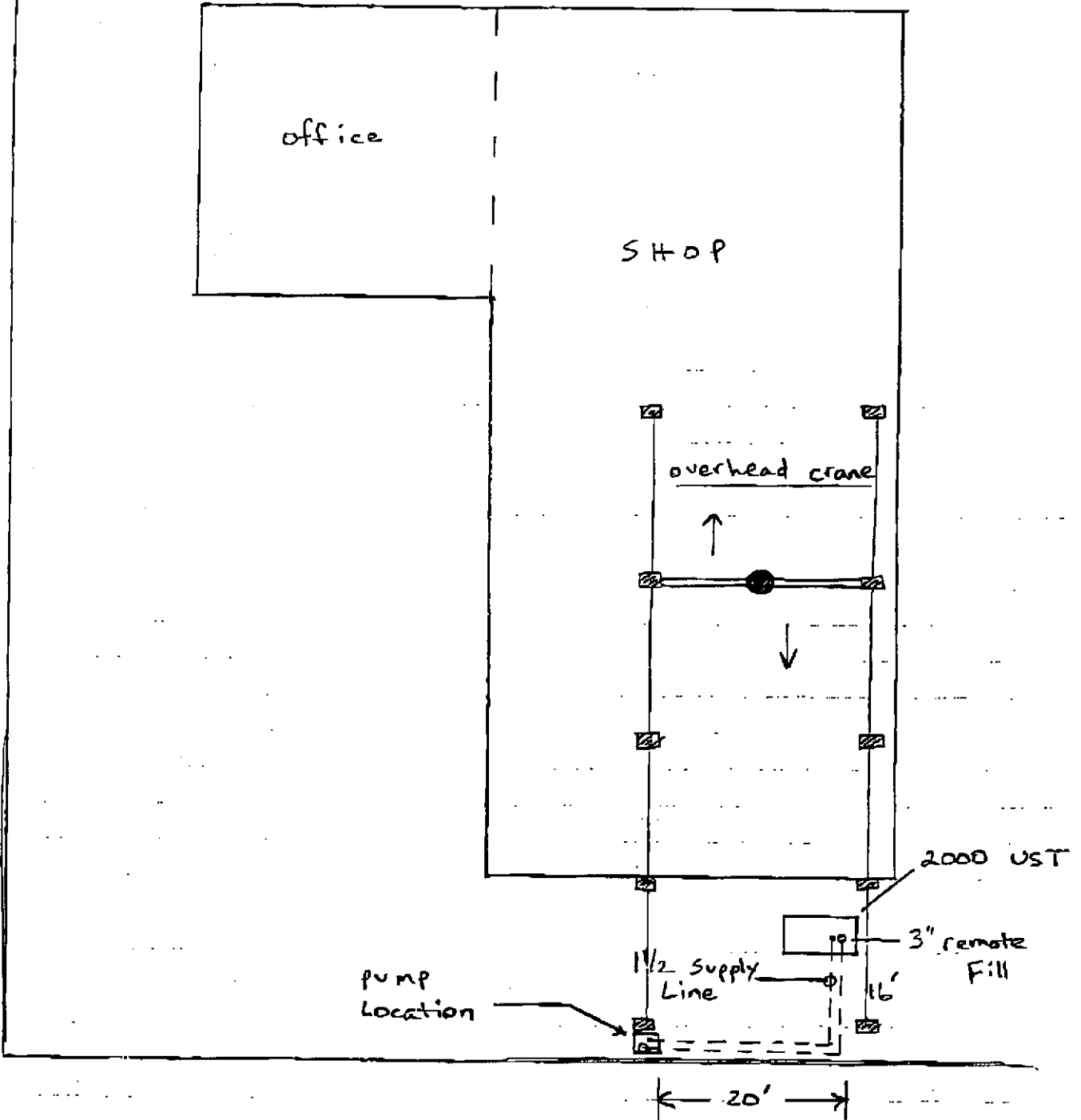
PLEASE CALL OUR OFFICE IF YOU DO NOT RECEIVE ALL PAGES. THANK YOU.
PH: 510/614-8390 AND FAX: 510/614-8396

Allied Engineering + Production Corp.
2421 Blanding Av.
Alameda, CA. 94501



B
l
a
n
d
i
n
g

A
v.



Everette St.