

202462

# Kennedy/Jenks Consultants

## Engineers & Scientists

622 Folsom Street  
San Francisco, California 94107  
415-243-2150  
FAX 415-896-0999

8 January 2004

Mr. Barney M. Chan  
Hazardous Materials Specialist  
Environmental Health Service Administration  
Alameda County Health Care Services Agency  
1131 Harbor Bay Parkway, Suite 250  
Alameda, CA 94502-6577

Alameda County  
JAN 12 2004  
Environmental Health

Subject: Report on Additional Remedial Excavation Activities  
901 Embarcadero, Oakland  
K/J 000128.00

Dear Mr. Chan:

This Report on Additional Remedial Excavation Activities (Report) is submitted to the Alameda County Health Care Services Agency (County) by Praxair, Inc. (Praxair). The Report was prepared by Kennedy/Jenks Consultants (Kennedy/Jenks) on behalf of Praxair. This Report describes the activities and analytical results for excavation of shallow soil performed at 901 Embarcadero in Oakland, California (the Site). The location of the Site is shown on Figure 1 and Site improvements prior to recent demolition activities are shown on Figure 2. A separate report will be prepared to document the demolition activities that were completed in December 2003.

### Background

As described in the *Soil Excavation and Additional Characterization* report, submitted to the County on 2 June 2003, soil containing total petroleum hydrocarbon (TPH) was excavated in the vicinity of Boring KB-13 in early March 2003. Based upon results of post-excavation confirmation samples collected in early March 2003, additional soil was excavated in the vicinity of Boring KB-13 in April 2003 and an additional post-excavation sample was collected. Figure 3 illustrates the stages of excavation in the vicinity of Boring KB-13 and the analytical results from these previous samples are summarized in Table 1. The concentrations of total petroleum hydrocarbons as diesel and motor oil (TPHd and TPHmo) in Sample "13" Conf-4A, collected after the excavation of additional soil on 15 April 2003 exceeded the concentrations of TPHd and TPHmo detected in soil samples previously collected from this area. The data suggested a localized area of shallow soil containing TPH at concentrations exceeding the Regional Water Quality Control Board's Environmental Screening Levels (ESLs).

### Excavation Activities

Based upon the analytical results from the post-excavation confirmation soil sample collected on 15 April 2003, a small amount of additional excavation was performed in this area on

Mr. Barney M. Chan  
Alameda County Health Care Services Agency  
8 January 2004  
Page 2

28 October 2003 by Pacific States Environmental Contractors, Inc. (PSEC) during the recent demolition activities at the Site. Kennedy/Jenks provided direction to PSEC and collected confirmation soil samples from the completed excavation. The area of additional excavation is also shown on Figure 3.

In the vicinity of Boring KB-13, an area measuring approximately 7 feet by 7 feet was excavated on 28 October 2003 (KB-13 excavation). Approximately one foot of imported fill from previous excavation backfilling activities in the vicinity of Sample "13" Conf-4 was scraped away from the surface and stockpiled next to the excavation. Soil was then excavated to a depth of 2.5 feet below ground surface (bgs) and stockpiled (KB-13 stockpile) separately onsite. At the conclusion of the excavation activities, and following the receipt of analytical results from confirmation samples, the excavation was backfilled and compacted during demolition activities, which will be described in a separate report.

Additionally, surface deposits of lime-impacted soil and debris located within the footprint of the containment berms of the former water/lime decant tanks, which were part of the former water/lime management system, were scraped away from the ground surface and stockpiled (lime-soil stockpile) using a compact loader outfitted with a construction bucket with teeth.

Representative photographs of the excavation activities are included in Attachment A.

### **Confirmation Soil Sampling and Analysis**

Two post-excavation confirmation soil samples were collected from the floor of the KB-13 excavation prior to backfilling the excavated area. The locations of the confirmation soil samples are shown on Figure 3. The samples were collected into steel sleeves that were capped at both ends with Teflon™ tape and a plastic cap. Following collection, the soil samples were labeled and placed in a cooler chilled with ice (frozen water) to approximately 4 degrees Celsius (°C).

The samples were delivered under chain-of-custody procedures to Severn Trent Laboratory (STL) San Francisco (State Certification Number 1094) in Pleasanton, California, and were analyzed for Total Extractable Petroleum Hydrocarbons (TEPH) with silica gel cleanup using EPA Method 8015. The analytical data reports and chain-of-custody for confirmation soil sampling are included as Attachment B, and the analytical results for TEPH are summarized in Table 1.

### **Soil Stockpile Sampling and Analysis**

Separate soil stockpiles were created for the KB-13 excavation and the lime-impacted soil. The KB-13 stockpile was located adjacent to but separate from other soil stockpiles resulting from demolition activities, placed on plastic, covered with plastic, and secured in place. The lime-soil stockpile was located within the footprint of the former containment berms. Four-point composite samples were collected from each of the soil stockpiles on 11 November 2003. The samples were collected into steel sleeves that were capped at both ends with Teflon™ tape and a plastic cap. Following collection, the soil samples were labeled and placed in a cooler chilled with ice (frozen water) to approximately 4 °C.

Mr. Barney M. Chan  
Alameda County Health Care Services Agency  
8 January 2004  
Page 3

The samples were delivered under chain-of-custody procedures to STL San Francisco. The KB-13 stockpile soil sample was analyzed for TEPH by EPA Method 8015 and metals by EPA Method 6010. The lime-soil stockpile soil sample was analyzed for metals by EPA Method 6010 and pH by EPA Method 9045C. The analytical data reports and chain-of-custody for stockpile sampling are included as Attachment C.

### **Backfill and Compaction**

The backfill and compaction activities were performed by PSEC on 14 November 2003. Geotechnical consultation and compaction testing were provided by Treadwell and Rollo, Inc. of Oakland (T&R). Onsite soil designated for reuse as backfill material was placed in the KB-13 excavation. Compaction was performed by wheel rolling with construction equipment fitted with sheepsfoot wheels during the backfill and compaction activities associated with the excavations created during demolition activities. Compaction test results indicated satisfactory soil compaction rates greater than the required minimum 90 percent relative compaction specified in the demolition activities contract.

### **Residuals Management**

After analysis of the composite samples from the soil stockpiles, the soil was accepted for disposal at the Republic Services Vasco Road Landfill located in Livermore, California. Approximately 9 tons or 6 cubic yards of soil were removed from the Site by PSEC on 4 December 2003 and transported to Vasco Road Landfill for disposal. Copies of residuals management documentation are included in Attachment D.

### **Finding, Conclusions, and Recommendations**

On the basis of the soil excavation activities and analytical results described herein, the following findings, conclusions, and recommendations have been developed.

- During the soil excavation activities on 28 October 2003, approximately 3 cubic yards of soil were excavated from the area of Boring KB-13 and approximately 3 cubic yards of soil were scraped from the ground surface within the area of the former containment berms of the former water/lime decant tanks. Excavated and scraped soil was subsequently removed from the Site and transported for offsite disposal at Vasco Road Landfill on 4 December 2003.
- Two additional post-excitation confirmation soil samples were collected from the KB-13 excavation, which indicate that residual concentrations of TEPH in soil in the vicinity of Boring KB-13 are less than the ESLs for commercial/industrial land uses.
- On the basis of the analytical results from the final post-excitation confirmation soil samples, no further remedial actions are necessary to address concentrations of TEPH in soil in the vicinity of Boring KB-13.

Mr. Barney M. Chan  
Alameda County Health Care Services Agency  
8 January 2004  
Page 4

- Surface deposits of lime-impacted soil encountered during the demolition activities have been removed from the Site.

If you have any questions regarding the information presented in this Report or the attached tables and figures, please contact me at (415) 243-2534.

Very truly yours,

**KENNEDY/JENKS CONSULTANTS**



Meredith G. Durant, P.E.  
Project Manager

Enclosures

cc: Nicholas A. DiFranco, Praxair, Inc.  
Diane Heinze, Port of Oakland  
Jerriann Alexander, Fugro/Subsurface Consultants

Alameda County  
JAN 12 2004  
Environmental Health

**Table**

---

**Table 1: Post-Excavation Confirmation Soil Samples – Extractable Petroleum Hydrocarbons in Vicinity of Boring KB-13<sup>(a)</sup>**

Sample ID ESL <sup>(e)</sup>	Sample Depth (feet bgs) <sup>(b)</sup>	Sample Date	TPHd (mg/kg) <sup>(c)(d)</sup>	TPHmo (mg/kg)	Disposition of Soil
			500	1,000	
"13" CONF-1	0.5	03/03/03	12	160	This sample represents the final post-excavation conditions. The surrounding soil has been left in place.
"13" CONF-2	0.5	03/03/03	53	680	This sample represents the final post-excavation conditions. The surrounding soil has been left in place.
"13" CONF-3	0.5	03/03/03	75	710	This sample represents the final post-excavation conditions. The surrounding soil has been left in place.
"13" CONF-4	0.5	03/03/03	190	2,000	This sample represents interim excavation conditions. Based upon analytical results for TPH from this sample, the surrounding soil was subsequently excavated. Due to the presence of soluble lead in the soil stockpile sample, the soil was transported to Kettleman Hills Facility for disposal. Soil confirmation sample "13" CONF-4A was collected following these additional soil excavation activities.
"13" CONF-5	0.5	03/03/03	52	560	This sample represents the final post-excavation conditions. The surrounding soil has been left in place.
"13" CONF-6	0.5	03/03/03	81	760	This sample represents the final post-excavation conditions. The surrounding soil has been left in place.

**Table 1: Post-Excavation Confirmation Soil Samples – Extractable Petroleum Hydrocarbons in Vicinity of Boring KB-13<sup>(a)</sup>**

Sample ID	Sample Depth (feet bgs) <sup>(b)</sup>	Sample Date	TPHd (mg/kg) <sup>(c)(d)</sup>	TPHmo (mg/kg)	Disposition of Soil
ESL <sup>(e)</sup>			500	1,000	
"13" CONF-4A	1.0	04/15/03	1,200	8,400	This sample represents interim excavation conditions. The surrounding soil was excavated on 28 October 2003 and disposed at Vasco Road Landfill on 4 December 2003. Soil confirmation samples "13" CONF-4B-SE and "13" CONF-4B-NW were collected following these additional soil excavation activities.
"13" CONF-4B-SE	2.5	10/28/03	10 <sup>(f)</sup>	72 <sup>(f)</sup>	This sample represents the final post-excavation conditions. The surrounding soil has been left in place.
"13" CONF-4B-NW	2.5	10/28/03	2.1 <sup>(f)</sup>	<50 <sup>(f)</sup>	This sample represents the final post-excavation conditions. The surrounding soil has been left in place.

(a) Samples analyzed by STL San Francisco for extractable petroleum hydrocarbons using EPA Method 8015M.

(b) Approximate depth below ground surface in feet.

(c) Concentrations reported in units of milligrams per kilogram (mg/kg).

(d) Laboratory analytical report notes that "hydrocarbon reported does not match the pattern of our diesel standard".

(e) ESL = Environmental Screening Level from Screening for Environmental Concerns at Sites with Contaminated Soil and Groundwater, Interim Final – July 2003 by the California Regional Water Quality Control Board, San Francisco Bay Region. Groundwater IS NOT a current or potential source of drinking water. Values presented for commercial/industrial land uses.

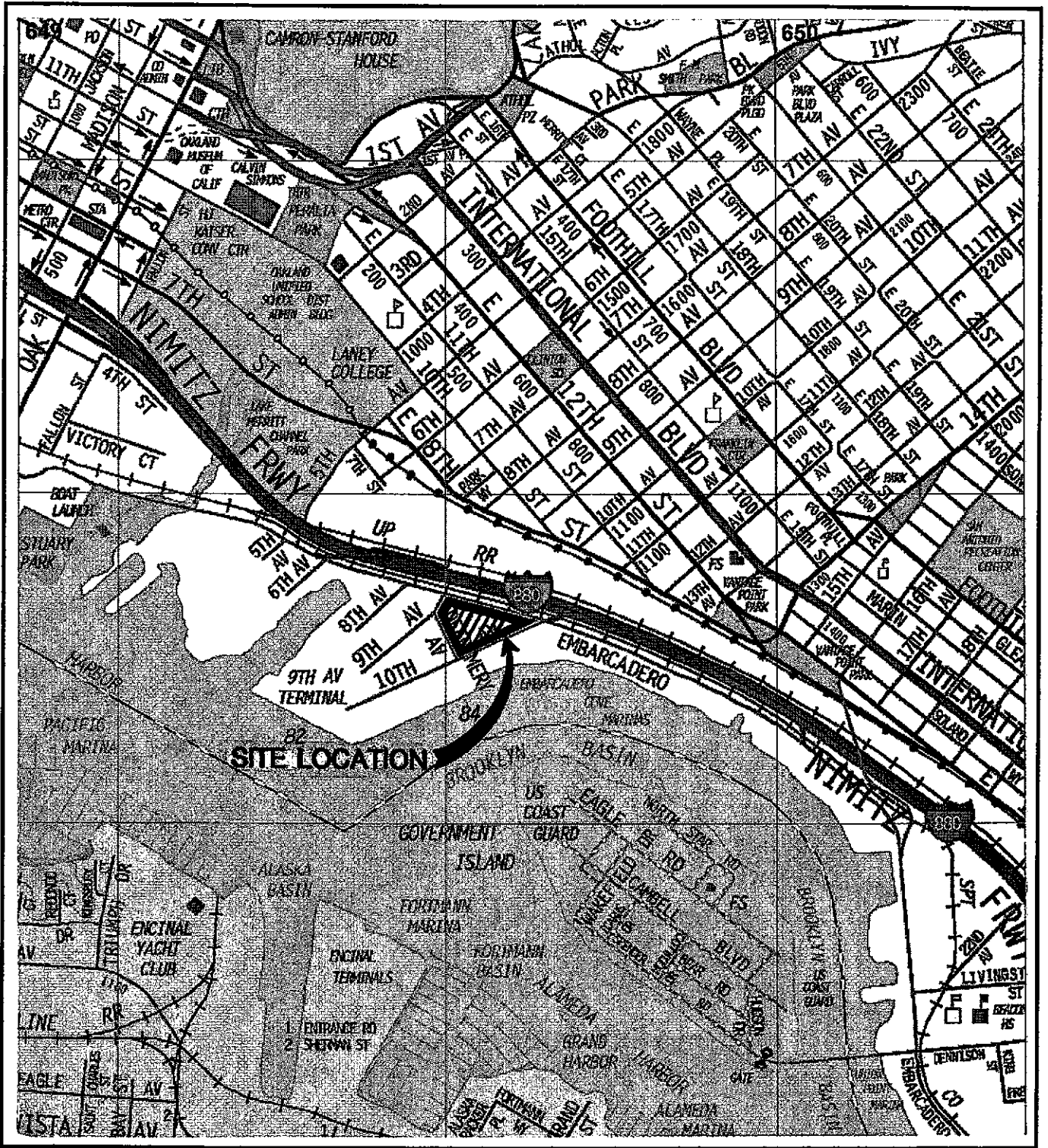
(f) Sample analyzed by STL San Francisco for extractable petroleum hydrocarbons using EPA Method 8015M with silica gel cleanup.

## Figures

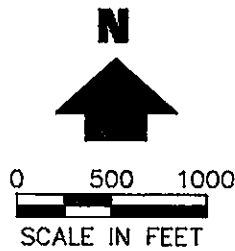
---



H:\2000\id\000128.00\Demo\VB-13 and Line Letter\loc041.dwg 1-08-04 11:28:05 AM RickT



**BASE MAP: THE THOMAS GUIDE  
DIGITAL EDITION, 1999 BAY AREA**



**Kennedy/Jenks Consultants**

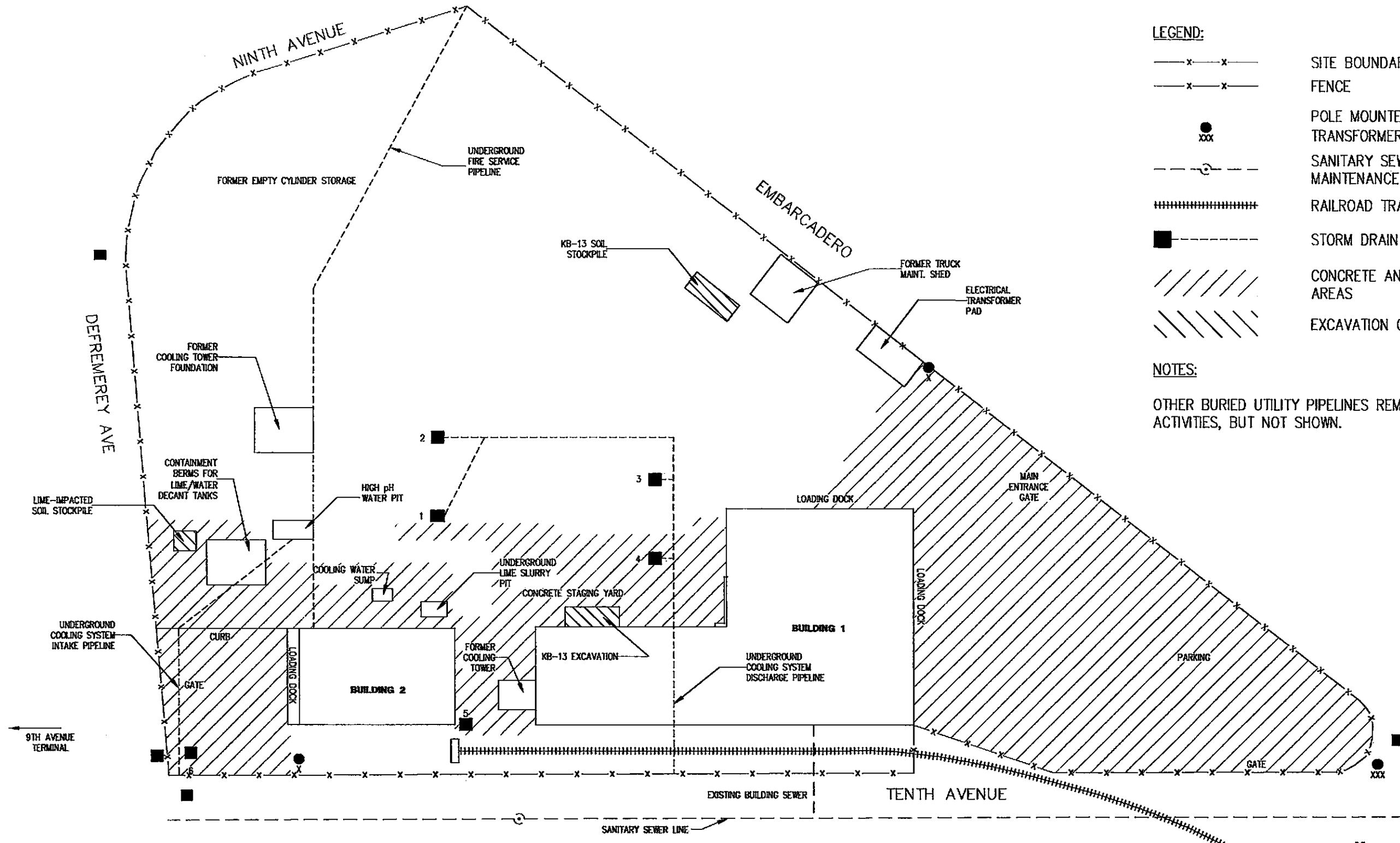
PRAXAIR, INC.  
901 EMBARCADERO, OAKLAND, CALIFORNIA

**SITE LOCATION MAP**

K/J 000128.00  
JANUARY 2004

**FIGURE 1**

N:\2000\lab\000128\00\Demo\KB-13 and Lime Letter\plan\plan2.dwg 1-08-04 11:21:54 AM Risk

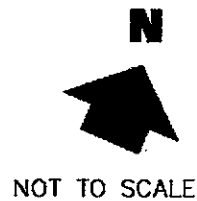


**LEGEND:**

- x—x—x— SITE BOUNDARY
- x—x—x— FENCE
- XXX POLE MOUNTED ELECTRICAL TRANSFORMER(S)
- SANITARY SEWER PIPE AND MAINTENANCE HOLE
- ||||| RAILROAD TRACK SPUR
- STORM DRAIN PIPE AND DROP INLET
- /// CONCRETE AND/OR ASPHALT PAVED AREAS
- \\ EXCAVATION OR STOCKPILE AREAS

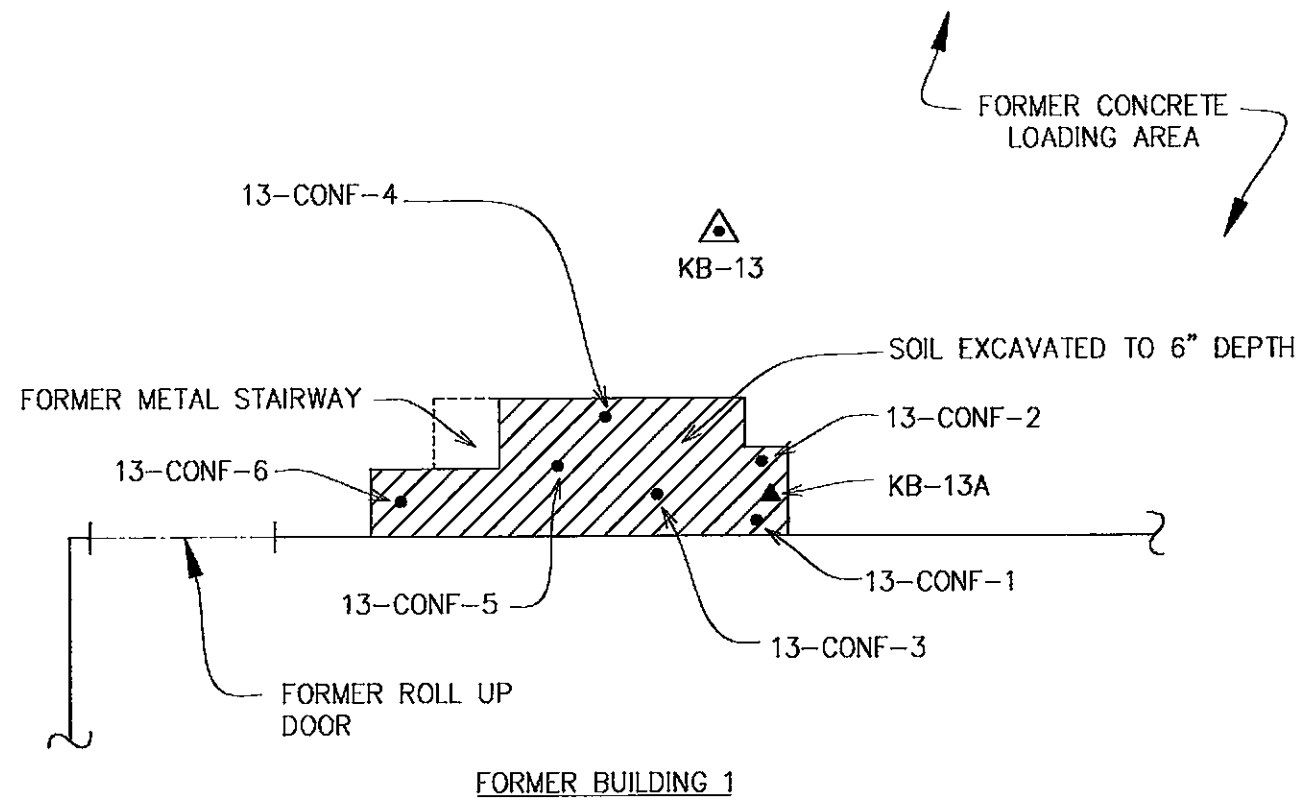
**NOTES:**

OTHER BURIED UTILITY PIPELINES REMOVED DURING DEMOLITION ACTIVITIES, BUT NOT SHOWN.

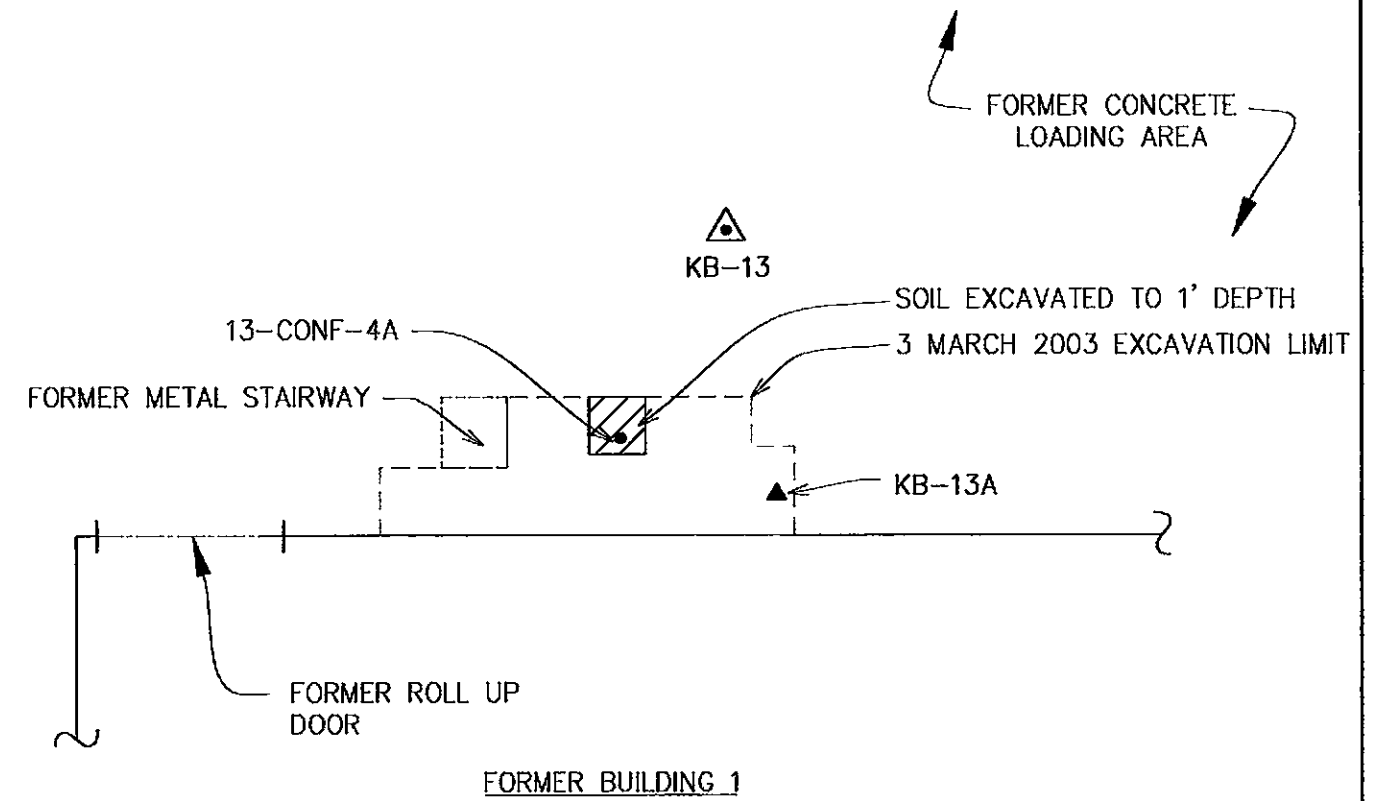


**Kennedy/Jenks Consultants**  
 PRAXAIR, INC.  
 901 EMBARCADERO, OAKLAND, CALIFORNIA  
**SITE PLAN PRIOR TO DEMOLITION ACTIVITIES**  
 K/J 000128.00  
 JANUARY 2004  
**FIGURE 2**

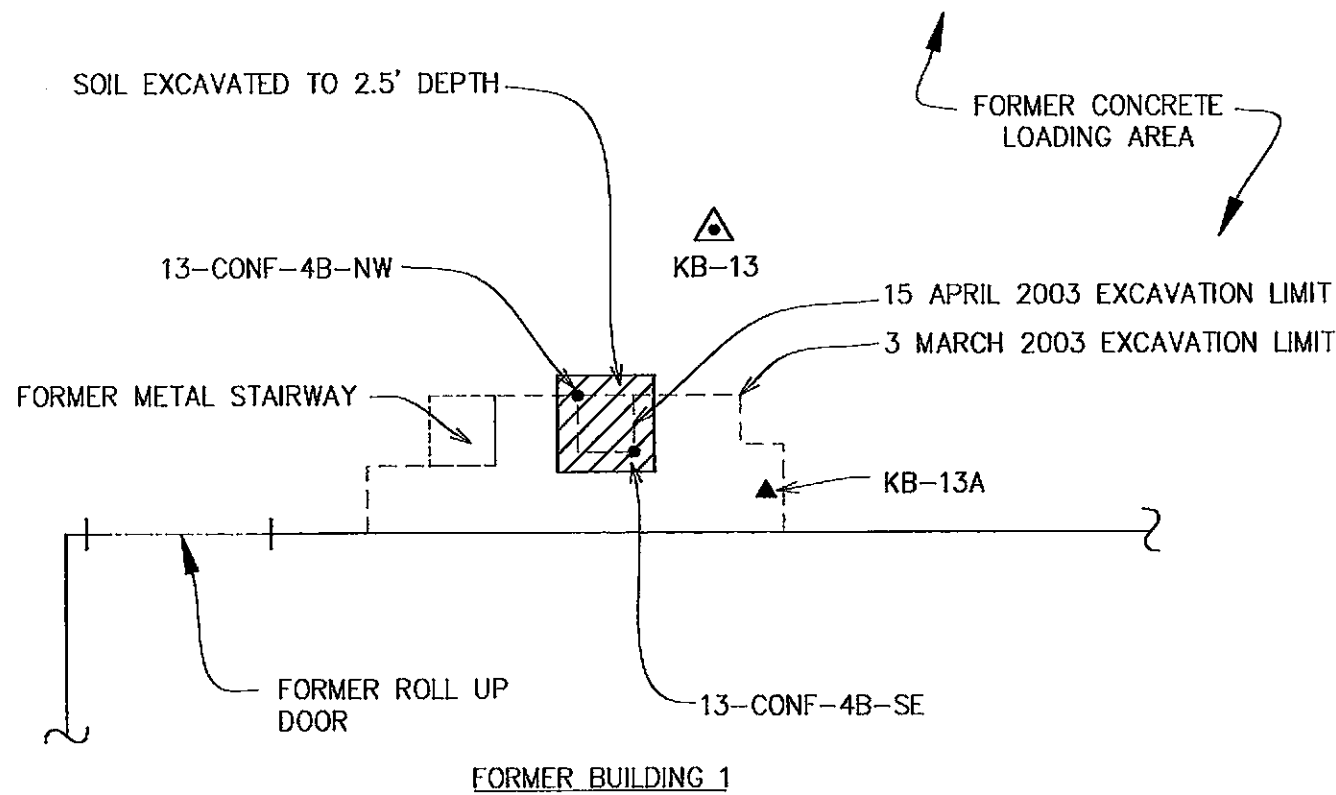
KB-13A EXCAVATION AREA - 3 MARCH 2003




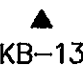
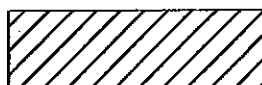

KB-13A EXCAVATION AREA - 15 APRIL 2003



KB-13A EXCAVATION AREA - 28 OCTOBER 2003



LEGEND

-  **KB-13** SOIL BORING
-  **KB-13** SOIL BORING
-  EXCAVATION AREA
-  POST-EXCAVATION SOIL CONFIRMATION SAMPLE

NOTES

NOT TO SCALE

**Kennedy/Jenks Consultants**

PRAXAIR, INC.  
901 EMBARCADERO, OAKLAND, CALIFORNIA

**SOIL EXCAVATION AREA AND  
CONFIRMATION SAMPLE LOCATIONS**

K/J 000128.00  
JANUARY 2004

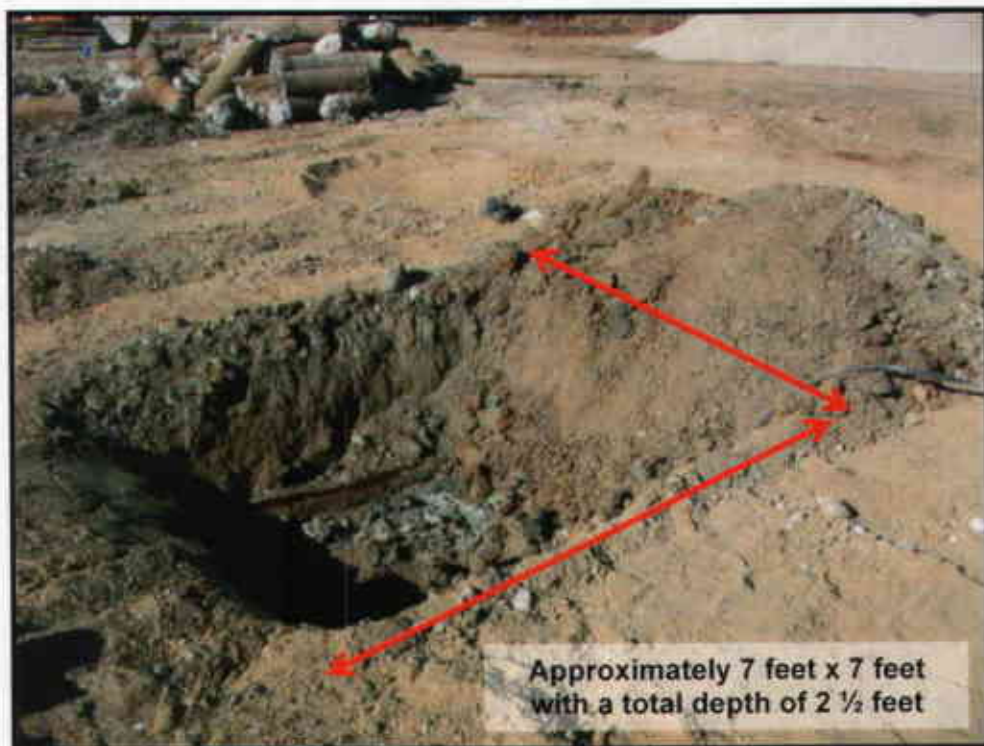
**FIGURE 3**

N:\2000\lab\000128.00\Demo\KB-13 and Lims Letter\JenCAF3.dwg 1-08-04 11:20:40 AM RiskT

# **Attachment A**

---

Photo Documentation



**Photo #1:** KB-13 Excavation



**Photo #2:** KB-13 Soil Stockpile



**Photo #3:** Lime-Impacted Soil at Ground Surface within the Footprint of the Former Containment Berms of the Lime/Water Decant Tanks



**Photo #4:** Lime-Impacted Soil Stockpile

## **Attachment B**

---

Confirmation Sample Chain of Custody Form  
and Laboratory Analytical Reports

Kennedy/Jenks-San Francisco

November 06, 2003

622 Folsom Street  
San Francisco, CA 94107-1366  
Attn.: Meredith Durant  
Project#: 000128.00  
Project: Praxair-Oakland  
Site: 901 Embarcadero

RECEIVED  
NOV 17 2003  
KENNEDY/JENKS CONSULTANTS

Dear Meredith,

Attached is our report for your samples received on 10/29/2003 14:45

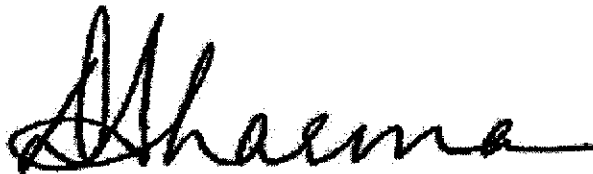
This report has been reviewed and approved for release. Reproduction of this report is permitted only in its entirety.

Please note that any unused portion of the samples will be discarded after 12/13/2003 unless you have requested otherwise.

We appreciate the opportunity to be of service to you. If you have any questions,

You can also contact me via email. My email address is: [dsharma@stl-inc.com](mailto:dsharma@stl-inc.com)

Sincerely,



Dimple Sharma  
Project Manager

Severn Trent Laboratories, Inc.

STL San Francisco \* 1220 Quarry Lane, Pleasanton, CA 94566

Tel 925 484 1919 Fax 925 484 1096 \* [www.stl-inc.com](http://www.stl-inc.com) \* CA DHS ELAP# 2496



TEPH w/ Silica Gel Clean-up

Kennedy/Jenks-San Francisco

Attn.: Meredith Durant

622 Folsom Street

San Francisco, CA 94107-1366

Phone: (415) 243-2534 Fax: (415) 896-0999

Project: 000128.00

Praxair-Oakland

Received: 10/29/2003 14:45

Site: 901 Embarcadero

Samples Reported

Sample Name	Date Sampled	Matrix	Lab #
"13" CONF-4B-SE	10/28/2003 09:00	Soil	1
"13" CONF-4B-NW	10/28/2003 09:10	Soil	2

TEPH w/ Silica Gel Clean-up

Kennedy/Jenks-San Francisco

Attn.: Meredith Durant

622 Folsom Street

San Francisco, CA 94107-1366

Phone: (415) 243-2534 Fax: (415) 896-0999

Project: 000128.00

Praxair-Oakland

Received: 10/29/2003 14:45

Site: 901 Embarcadero

Prep(s):	3550/8015M	Test(s):	8015M
Sample ID:	13 CONF-4B-SE	Lab ID:	2003-10-1048-1
Sampled:	10/28/2003 09:00	Extracted:	11/3/2003 13:03
Matrix:	Soil	QC Batch#:	2003/11/03-04.10

Compound	Conc.	RL	Unit	Dilution	Analyzed	Flag
Diesel	10	1.0	mg/Kg	1.00	11/04/2003 00:01	ndp
Motor Oil	72	50	mg/Kg	1.00	11/04/2003 00:01	
<i>Surrogate(s)</i> o-Terphenyl	105.4	60	%	1.00	11/04/2003 00:01	

TEPH w/ Silica Gel Clean-up

Kennedy/Jenks-San Francisco

Attn.: Meredith Durant

622 Folsom Street

San Francisco, CA 94107-1366

Phone: (415) 243-2534 Fax: (415) 896-0999

Project: 000128.00

Praxair-Oakland

Received: 10/29/2003 14:45

Site: 901 Embarcadero

Prep(s):	3550/8015M	Test(s):	8015M
Sample ID:	13 CONF-4B-NW	Lab ID:	2003-10-1048 - 2
Sampled:	10/28/2003 09:10	Extracted:	11/3/2003 13:03
Matrix:	Soil	QC Batch#:	2003/11/03-04 10

Compound	Conc.	RL	Unit	Dilution	Analyzed	Flag
Diesel	2.1	1.0	mg/Kg	1.00	11/04/2003 00:31	ndp
Motor Oil	ND	50	mg/Kg	1.00	11/04/2003 00:31	
<b>Surrogate(s)</b>						
o-Terphenyl	101.1	60	%	1.00	11/04/2003 00:31	

TEPH w/ Silica Gel Clean-up

Kennedy/Jenks-San Francisco

Attn.: Meredith Durant

622 Folsom Street

San Francisco, CA 94107-1366

Phone: (415) 243-2534 Fax: (415) 896-0999

Project: 000128.00

Praxair-Oakland

Received: 10/29/2003 14:45

Site: 901 Embarcadero

Batch QC Report

Prep(s): 3550/8015M

Method Blank

MB: 2003/11/03-04.10-001

Soil

Test(s): 8015M

QC Batch #: 2003/11/03-04.10

Date Extracted: 11/03/2003 13:03

Compound	Conc.	RL	Unit	Analyzed	Flag
Diesel	ND	1	mg/Kg	11/03/2003 20:56	
Motor Oil	ND	50	mg/Kg	11/03/2003 20:56	
<b>Surrogates(s)</b>					
o-Terphenyl	101.8	60-130	%	11/03/2003 20:56	

TEPH w/ Silica Gel Clean-up

Kennedy/Jenks-San Francisco

Attn.: Meredith Durant

622 Folsom Street  
San Francisco, CA 94107-1366  
Phone: (415) 243-2534 Fax: (415) 896-0999

Project: 000128.00  
Praxair-Oakland

Received: 10/29/2003 14:45

Site: 901 Embarcadero

Batch QC Report										
Prep(s): 3550/8015M						Test(s): 8015M				
Laboratory Control Spike				Soil			QC Batch # 2003/11/03-04.10			
LCS	2003/11/03-04.10-002			Extracted: 11/03/2003			Analyzed: 11/03/2003 21:27			
LCSD	2003/11/03-04.10-003			Extracted: 11/03/2003			Analyzed: 11/03/2003 21:58			
Compound	Conc. mg/Kg		Exp.Conc.	Recovery %		RPD	Ctrl.Limits %		Flags	
	LCS	LCSD		LCS	LCSD		%	Rec.	RPD	LCS
Diesel	39.9	36.6	41.6	95.9	88.2	8.4	60-130	25		
Surrogates(s) o-Terphenyl	19.2	18.5	20.0	96.1	92.4		60-130	0		

Severn Trent Laboratories, Inc.

STL San Francisco \* 1220 Quarry Lane, Pleasanton, CA 94566

Tel 925 484 1919 Fax 925 484 1096 \* www.stl-inc.com \* CA DHS ELAP# 2496

11/05/2003 13:40

**TEPH w/ Silica Gel Clean-up**

Kennedy/Jenks-San Francisco

Attn.: Meredith Durant

622 Folsom Street

San Francisco, CA 94107-1366

Phone: (415) 243-2534 Fax: (415) 896-0999

Project: 000128.00

Praxair-Oakland

Received: 10/29/2003 14:45

Site: 901 Embarcadero

---

**Legend and Notes**

---

**Result Flag**

ndp

Hydrocarbon reported does not match the pattern of our Diesel standard



STL San Francisco

Sample Receipt Checklist

Submission #: 2003- 10 - 1048

Checklist completed by: (initials) DSH Date: 10/30/03

Courier name:  STL San Francisco  Client \_\_\_\_\_

Custody seals intact on shipping container/samples Yes \_\_\_ No \_\_\_ Not Present

Chain of custody present? Yes  No \_\_\_

Chain of custody signed when relinquished and received? Yes  No \_\_\_

Chain of custody agrees with sample labels? Yes  No \_\_\_

Samples in proper container/bottle? Yes  No \_\_\_

Sample containers intact? Yes  No \_\_\_

Sufficient sample volume for indicated test? Yes  No \_\_\_

All samples received within holding time? Yes  No \_\_\_

Container/Temp Blank temperature in compliance (4° C ± 2)? Temp: 4.2 °C Yes  No \_\_\_

Ice Present Yes  No \_\_\_

Water - VOA vials have zero headspace? No VOA vials submitted  Yes \_\_\_ No \_\_\_

(if bubble is present, refer to approximate bubble size and itemize in comments as S (small ~O), M (medium ~ O) or L (large ~ O))

Water - pH acceptable upon receipt?  Yes  No

pH adjusted— Preservative used:  HNO<sub>3</sub>  HCl  H<sub>2</sub>SO<sub>4</sub>  NaOH  ZnOAc —Lot #(s) \_\_\_\_\_

For any item check-listed "No", provided detail of discrepancy in comment section below:

Comments:  
\_\_\_\_\_  
\_\_\_\_\_

**Project Management [Routing for instruction of indicated discrepancy(ies)]**

Project Manager: (initials) \_\_\_\_\_ Date: \_\_\_\_\_/\_\_\_\_\_/03

Client contacted:  Yes  No

Summary of discussion:  
\_\_\_\_\_  
\_\_\_\_\_

Corrective Action (per PM/Client):  
\_\_\_\_\_  
\_\_\_\_\_



## **Attachment C**

---

Stockpile Soil Sample Chain of Custody Form  
and Laboratory Analytical Reports

Kennedy/Jenks-San Francisco

622 Folsom Street  
San Francisco, CA 94107-1366

Attn.: Meredith Durant

Project#: 000128.00

Project: Praxair Oakland

RECEIVED  
DEC - 4 2003  
KENNEDY/JENKS CONSULTANTS

November 18, 2003

Dear Meredith,

Attached is our report for your samples received on 11/11/2003 16:35

This report has been reviewed and approved for release. Reproduction of this report is permitted only in its entirety.

Please note that any unused portion of the samples will be discarded after 12/26/2003 unless you have requested otherwise.

We appreciate the opportunity to be of service to you. If you have any questions,

You can also contact me via email. My email address is: [dsharma@stl-inc.com](mailto:dsharma@stl-inc.com)

Sincerely,



Dimple Sharma  
Project Manager

Severn Trent Laboratories, Inc.

STL San Francisco \* 1220 Quarry Lane, Pleasanton, CA 94566

Tel 925 484 1919 Fax 925 484 1096 \* [www.stl-inc.com](http://www.stl-inc.com) \* CA DHS ELAP# 2496



**STL**

Submission #: 2003-11-0425

**CAM 17 Metals**

Kennedy/Jenks-San Francisco

Attn.: Meredith Durant

622 Folsom Street

San Francisco, CA 94107-1366

Phone: (415) 243-2534 Fax: (415) 896-0999

Project: 000128.00

Praxair Oakland

Received: 11/11/2003 16:35

**Samples Reported**

Sample Name	Date Sampled	Matrix	Lab #
SOIL LINE STOCKPILE	11/11/2003 09:30	Soil	2
KB-13 STOCKPILE	11/11/2003 09:00	Soil	3

Severn Trent Laboratories, Inc.

STL San Francisco \* 1220 Quarry Lane, Pleasanton, CA 94566

Tel 925 484 1919 Fax 925 484 1096 \* www.stl-inc.com \* CA DHS ELAP# 2496

11/18/2003 14:28

**CAM 17 Metals**

Kennedy/Jenks-San Francisco

Attn.: Meredith Durant

622 Folsom Street  
San Francisco, CA 94107-1366  
Phone: (415) 243-2534 Fax: (415) 896-0999

Project: 000128.00  
Praxair Oakland

Received: 11/11/2003 16:35

Prep(s):	3050B 7471A	Test(s):	6010B 7471A
Sample ID:	<b>SOIL LINE STOCKPILE</b>	Lab ID:	2003-11-0425 - 2
Sampled:	11/11/2003 09:30	Extracted:	11/13/2003 10:57 11/14/2003 08:14
Matrix:	Soil	QC Batch#:	2003/11/13-06.15 2003/11/14-01.16

Compound	Conc.	RL	Unit	Dilution	Analyzed	Flag
Antimony	ND	2.0	mg/Kg	1.00	11/14/2003 13:40	
Arsenic	2.5	1.0	mg/Kg	1.00	11/14/2003 13:40	
Barium	160	1.0	mg/Kg	1.00	11/14/2003 13:40	
Beryllium	ND	0.50	mg/Kg	1.00	11/14/2003 13:40	
Cadmium	ND	0.50	mg/Kg	1.00	11/14/2003 13:40	
Chromium	23	1.0	mg/Kg	1.00	11/14/2003 13:40	
Cobalt	3.6	1.0	mg/Kg	1.00	11/14/2003 13:40	
Copper	35	1.0	mg/Kg	1.00	11/14/2003 13:40	
Lead	100	1.0	mg/Kg	1.00	11/14/2003 13:40	
Molybdenum	ND	1.0	mg/Kg	1.00	11/14/2003 13:40	
Nickel	37	1.0	mg/Kg	1.00	11/14/2003 13:40	
Selenium	ND	2.0	mg/Kg	1.00	11/14/2003 13:40	
Silver	ND	1.0	mg/Kg	1.00	11/14/2003 13:40	
Thallium	ND	1.0	mg/Kg	1.00	11/14/2003 13:40	
Vanadium	30	1.0	mg/Kg	1.00	11/14/2003 13:40	
Zinc	62	1.0	mg/Kg	1.00	11/14/2003 13:40	
Mercury	0.16	0.050	mg/Kg	1.00	11/17/2003 12:44	

CAM 17 Metals

Kennedy/Jenks-San Francisco

Attn.: Meredith Durant

622 Folsom Street  
San Francisco, CA 94107-1366  
Phone: (415) 243-2534 Fax: (415) 896-0999

Project: 000128.00  
Praxair Oakland

Received: 11/11/2003 16:35

Prep(s):	3050B 7471A	Test(s):	6010B 7471A
Sample ID:	KB-13 STOCKPILE	Lab ID:	2003-11-0425 - 3
Sampled:	11/11/2003 09:00	Extracted:	11/13/2003 10:57 11/14/2003 08:14
Matrix:	Soil	QC Batch#:	2003/11/13-06.15 2003/11/14-01.16

Compound	Conc.	RL	Unit	Dilution	Analyzed	Flag
Antimony	ND	2.0	mg/Kg	1.00	11/14/2003 13:43	
Arsenic	3.0	1.0	mg/Kg	1.00	11/14/2003 13:43	
Barium	72	1.0	mg/Kg	1.00	11/14/2003 13:43	
Beryllium	ND	0.50	mg/Kg	1.00	11/14/2003 13:43	
Cadmium	ND	0.50	mg/Kg	1.00	11/14/2003 13:43	
Chromium	19	1.0	mg/Kg	1.00	11/14/2003 13:43	
Cobalt	5.8	1.0	mg/Kg	1.00	11/14/2003 13:43	
Copper	18	1.0	mg/Kg	1.00	11/14/2003 13:43	
Lead	9.1	1.0	mg/Kg	1.00	11/14/2003 13:43	
Molybdenum	ND	1.0	mg/Kg	1.00	11/14/2003 13:43	
Nickel	21	1.0	mg/Kg	1.00	11/14/2003 13:43	
Selenium	ND	2.0	mg/Kg	1.00	11/14/2003 13:43	
Silver	ND	1.0	mg/Kg	1.00	11/14/2003 13:43	
Thallium	ND	1.0	mg/Kg	1.00	11/14/2003 13:43	
Vanadium	26	1.0	mg/Kg	1.00	11/14/2003 13:43	
Zinc	62	1.0	mg/Kg	1.00	11/14/2003 13:43	
Mercury	0.11	0.050	mg/Kg	1.00	11/17/2003 12:45	

Severn Trent Laboratories, Inc.

STL San Francisco \* 1220 Quarry Lane, Pleasanton, CA 94566

Tel 925 484 1919 Fax 925 484 1096 \* www.stl-inc.com \* CA DHS ELAP# 2496

11/18/2003 14:28

**CAM 17 Metals**

Kennedy/Jenks-San Francisco

Attn.: Meredith Durant

622 Folsom Street

San Francisco, CA 94107-1366

Phone: (415) 243-2534 Fax: (415) 896-0999

Project: 000128.00

Received: 11/11/2003 16:35

Praxair Oakland

Batch QC Report		
Prep(s): 3050B		Test(s): 6010B
Method Blank	Soil	QC Batch # 2003/11/13-06.15
MB: 2003/11/13-06.15-037		Date Extracted: 11/13/2003 10:57

Compound	Conc.	RL	Unit	Analyzed	Flag
Antimony	ND	2.0	mg/Kg	11/14/2003 09:33	
Arsenic	ND	1.0	mg/Kg	11/14/2003 09:33	
Barium	ND	1.0	mg/Kg	11/14/2003 09:33	
Beryllium	ND	0.50	mg/Kg	11/14/2003 09:33	
Cadmium	ND	0.50	mg/Kg	11/14/2003 09:33	
Chromium	ND	1.0	mg/Kg	11/14/2003 09:33	
Cobalt	ND	1.0	mg/Kg	11/14/2003 09:33	
Copper	ND	1.0	mg/Kg	11/14/2003 09:33	
Lead	ND	1.0	mg/Kg	11/14/2003 09:33	
Molybdenum	ND	1.0	mg/Kg	11/14/2003 09:33	
Nickel	ND	1.0	mg/Kg	11/14/2003 09:33	
Selenium	ND	2.0	mg/Kg	11/14/2003 09:33	
Silver	ND	1.0	mg/Kg	11/14/2003 09:33	
Thallium	ND	1.0	mg/Kg	11/14/2003 09:33	
Vanadium	ND	1.0	mg/Kg	11/14/2003 09:33	
Zinc	ND	1.0	mg/Kg	11/14/2003 09:33	

CAM 17 Metals

Kennedy/Jenks-San Francisco

Attn: Meredith Durant

622 Folsom Street

San Francisco, CA 94107-1366

Phone: (415) 243-2534 Fax: (415) 896-0999

Project: 000128.00

Received: 11/11/2003 16:35

Praxair Oakland

Batch QC Report					
Prep(s): 7471A				Test(s): 7471A	
Method Blank		Soil		QC Batch # 2003/11/14-01.16	
MB: 2003/11/14-01.16-014				Date Extracted: 11/14/2003 08:14	

Compound	Conc.	RL	Unit	Analyzed	Flag
Mercury	ND	0.050	mg/Kg	11/17/2003 12:24	

**CAM 17 Metals**

Kennedy/Jenks-San Francisco

Attn.: Meredith Durant

622 Folsom Street

San Francisco, CA 94107-1366

Phone: (415) 243-2534 Fax: (415) 896-0999

Project: 000128.00

Received: 11/11/2003 16:35

Praxair Oakland

Batch QC Report			
Prep(s): 3050B		Test(s): 6010B	
Laboratory Control Spike		Soil	QC Batch # 2003/11/13-06.15
LCS	2003/11/13-06.15-038	Extracted: 11/13/2003	Analyzed: 11/14/2003 09:38
LCSD	2003/11/13-06.15-039	Extracted: 11/13/2003	Analyzed: 11/14/2003 09:42

Compound	Conc. mg/Kg		Exp.Conc.	Recovery %		RPD	Ctrl.Limits %		Flags	
	LCS	LCSD		LCS	LCSD		%	Rec.	RPD	LCS
Antimony	93.9	98.0	100.0	93.9	98.0	4.3	80-120	20		
Arsenic	97.2	99.4	100.0	97.2	99.4	2.2	80-120	20		
Barium	97.4	99.8	100.0	97.4	99.8	2.4	80-120	20		
Beryllium	97.7	101	100.0	97.7	101.0	3.3	80-120	20		
Cadmium	96.9	98.8	100.0	96.9	98.8	1.9	80-120	20		
Chromium	94.2	96.6	100.0	94.2	96.6	2.5	80-120	20		
Cobalt	98.1	100	100.0	98.1	100.0	1.9	80-120	20		
Copper	101	104	100.0	101.0	104.0	2.9	80-120	20		
Lead	97.8	100	100.0	97.8	100.0	2.2	80-120	20		
Molybdenum	94.2	96.5	100.0	94.2	96.5	2.4	80-120	20		
Nickel	98.7	99.8	100.0	98.7	99.8	1.1	80-120	20		
Selenium	93.2	94.8	100.0	93.2	94.8	1.7	80-120	20		
Silver	100.0	103	100.0	100.0	103.0	3.0	80-120	20		
Thallium	94.2	95.2	100.0	94.2	95.2	1.1	80-120	20		
Vanadium	100	103	100.0	100.0	103.0	3.0	80-120	20		
Zinc	95.0	97.5	100.0	95.0	97.5	2.6	80-120	20		

Severn Trent Laboratories, Inc.

STL San Francisco \* 1220 Quarry Lane, Pleasanton, CA 94566

Tel 925 484 1919 Fax 925 484 1096 \* www.stl-inc.com \* CA DHS ELAP# 2496

11/18/2003 14:28



**CAM 17 Metals**

Kennedy/Jenks-San Francisco

Attn.: Meredith Durant

622 Folsom Street

San Francisco, CA 94107-1366

Phone: (415) 243-2534 Fax: (415) 896-0999

Project: 000128.00

Praxair Oakland

Received: 11/11/2003 16:35

Batch QC Report										
Prep(s): 7471A						Test(s): 7471A				
Laboratory Control Spike				Soil			QC Batch # 2003/11/14-01-16			
LCS	2003/11/14-01-16-015			Extracted: 11/14/2003			Analyzed: 11/17/2003 12:25			
LCSD	2003/11/14-01-16-016			Extracted: 11/14/2003			Analyzed: 11/17/2003 12:26			
Compound	Conc. mg/Kg		Exp.Conc.	Recovery %		RPD	Ctrl.Limits %		Flags	
	LCS	LCSD		LCS	LCSD		%	Rec.	RPD	LCS
Mercury	0.511	0.521	0.500	102.2	104.2	1.9	85-115	20		

Severn Trent Laboratories, Inc.

STL San Francisco \* 1220 Quarry Lane, Pleasanton, CA 94566

Tel 925 484 1919 Fax 925 484 1096 \* www.stl-inc.com \* CA DHS ELAP# 2496

11/18/2003 14:28

pH

Kennedy/Jenks-San Francisco

Attn.: Meredith Durant

622 Folsom Street

San Francisco, CA 94107-1366

Phone: (415) 243-2534 Fax: (415) 896-0999

Project: 000128.00

Praxair Oakland

Received: 11/11/2003 16:35

Samples Reported

Sample Name	Date Sampled	Matrix	Lab #
SOIL LINE STOCKPILE	11/11/2003 09:30	Soil	2

pH

Kennedy/Jenks-San Francisco

Attn.: Meredith Durant

622 Folsom Street  
San Francisco, CA 94107-1366  
Phone: (415) 243-2534 Fax: (415) 896-0999

Project: 000128.00  
Praxair Oakland

Received: 11/11/2003 16:35

Prep(s):	9045C	Test(s):	9045C
Sample ID:	<b>SOIL LINE STOCKPILE</b>	Lab ID:	2003-11-0425 - 2
Sampled:	11/11/2003 09:30	Extracted:	11/17/2003 08:46
Matrix:	Soil	QC Batch#:	2003/11/17-01:22

Compound	Conc.	RL	Unit	Dilution	Analyzed	Flag
pH	12	0.1	SU	1.00	11/17/2003 08:46	

pH

Kennedy/Jenks-San Francisco

Attn.: Meredith Durant

622 Folsom Street

San Francisco, CA 94107-1366

Phone: (415) 243-2534 Fax: (415) 896-0999

Project: 000128.00

Received: 11/11/2003 16:35

Praxair Oakland

Batch QC Report					
Prep(s): 9045C				Test(s): 9045C	
Method Blank		Soil		QC Batch # 2003/11/17-01-22	
MB: 2003/11/17-01-22-001				Date Extracted: 11/17/2003	

Compound	Conc.	RL	Unit	Analyzed	Flag
pH	7.05	0.1	SU	11/17/2003	

**Total Extractable Petroleum Hydrocarbons (TEPH)**

Kennedy/Jenks-San Francisco

Attn.: Meredith Durant

622 Folsom Street

San Francisco, CA 94107-1366

Phone: (415) 243-2534 Fax: (415) 896-0999

Project: 000128.00

Received: 11/11/2003 16:35

Praxair Oakland

**Samples Reported**

Sample Name	Date Sampled	Matrix	Lab #
TOWER SUMP PIPE	11/11/2003 10:00	Soil	1
KB-13 STOCKPILE	11/11/2003 09:00	Soil	3

**Total Extractable Petroleum Hydrocarbons (TEPH)**

Kennedy/Jenks-San Francisco

Attn.: Meredith Durant

622 Folsom Street

San Francisco, CA 94107-1366

Phone: (415) 243-2534 Fax: (415) 896-0999

Project: 000128.00

Received: 11/11/2003 16:35

Praxair Oakland

Prep(s):	3550/8015M	Test(s):	8015M
Sample ID:	<b>TOWER SUMP PIPE</b>	Lab ID:	2003-11-0425 - 1
Sampled:	11/11/2003 10:00	Extracted:	11/13/2003 14:17
Matrix:	Soil	QC Batch#:	2003/11/13-07.10

Compound	Conc.	RL	Unit	Dilution	Analyzed	Flag
Diesel	73	5.0	mg/Kg	5.00	11/16/2003 00:59	ndp
Motor Oil	1000	250	mg/Kg	5.00	11/16/2003 00:59	
<i>Surrogate(s)</i>						
o-Terphenyl	NA	60	%	5.00	11/16/2003 00:59	sd

**Total Extractable Petroleum Hydrocarbons (TEPH)**

Kennedy/Jenks-San Francisco

Attn.: Meredith Durant

622 Folsom Street  
San Francisco, CA 94107-1366  
Phone: (415) 243-2534 Fax: (415) 896-0999

Project: 000128.00  
Praxair Oakland

Received: 11/11/2003 16:35

Prep(s):	3550/8015M	Test(s):	8015M
Sample ID:	<b>KB-13 STOCKPILE</b>	Lab ID:	2003-11-0425 - 3
Sampled:	11/11/2003 09:00	Extracted:	11/13/2003 14:17
Matrix:	Soil	QC Batch#:	2003/11/13-07.10

Compound	Conc.	RL	Unit	Dilution	Analyzed	Flag
Diesel	15	2.0	mg/Kg	2.00	11/15/2003 02:10	ndp
Motor Oil	140	100	mg/Kg	2.00	11/15/2003 02:10	
<i>Surrogate(s)</i>						
o-Terphenyl	99.9	60	%	2.00	11/15/2003 02:10	

**Total Extractable Petroleum Hydrocarbons (TEPH)**

Kennedy/Jenks-San Francisco

Attn.: Meredith Durant

622 Folsom Street  
San Francisco, CA 94107-1366  
Phone: (415) 243-2534 Fax: (415) 896-0999

Project: 000128.00  
Praxair Oakland

Received: 11/11/2003 16:35

Batch QC Report					
Prep(s): 3550/8015M				Test(s): 8015M	
Method Blank		Soil		QC Batch # 2003/11/13-07-10	
MB: 2003/11/13-07-10-001				Date Extracted: 11/13/2003 14:17	

Compound	Conc.	RL	Unit	Analyzed	Flag
Diesel	ND	1	mg/Kg	11/14/2003 11:14	
Motor Oil	ND	50	mg/Kg	11/14/2003 11:14	
<b>Surrogates(s)</b>					
o-Terphenyl	87.0	60-130	%	11/14/2003 11:14	



**Total Extractable Petroleum Hydrocarbons (TEPH)**

Kennedy/Jenks-San Francisco

Attn.: Meredith Durant

622 Folsom Street  
San Francisco, CA 94107-1366  
Phone: (415) 243-2534 Fax: (415) 896-0999

Project: 000128.00  
Praxair Oakland

Received: 11/11/2003 16:35

Batch QC Report			
Prep(s): 3550/8015M		Test(s): 8015M	
<b>Laboratory Control Spike</b>		<b>Soil</b>	
<b>QC Batch # 2003/11/13-07-10</b>			
LCS	2003/11/13-07-10-002	Extracted: 11/13/2003	Analyzed: 11/14/2003 11:44
LCSD	2003/11/13-07-10-003	Extracted: 11/13/2003	Analyzed: 11/14/2003 12:16

Compound	Conc. mg/Kg		Exp.Conc.	Recovery %		RPD	Ctrl.Limits %		Flags	
	LCS	LCSD		LCS	LCSD		%	Rec.	RPD	LCS
Diesel	33.3	33.5	41.5	80.2	80.5	0.4	60-130	25		
<b>Surrogates(s)</b>										
o-Terphenyl	18.0	18.3	20.0	89.8	91.4		60-130	0		

**Total Extractable Petroleum Hydrocarbons (TEPH)**

Kennedy/Jenks-San Francisco

Attn.: Meredith Durant

622 Folsom Street

San Francisco, CA 94107-1366

Phone: (415) 243-2534 Fax: (415) 896-0999

Project: 000128.00

Praxair Oakland

Received: 11/11/2003 16:35

---

**Legend and Notes**

---

**Result Flag**

ndp

Hydrocarbon reported does not match the pattern of our Diesel standard

sd

Surrogate recovery not reportable due to required dilution.

Severn Trent Laboratories, Inc.

STL San Francisco \* 1220 Quarry Lane, Pleasanton, CA 94566

Tel 925 484 1919 Fax 925 484 1096 \* www.stl-inc.com \* CA DHS ELAP# 2496

11/18/2003 15:39



**STL**

Submission #: 2003-11-0425

**CAM W.E.T. (STLC) Lead**

Kennedy/Jenks-San Francisco

Attn.: Meredith Durant

622 Folsom Street

San Francisco, CA 94107-1366

Phone: (415) 243-2534 Fax: (415) 896-0999

Project: 000128.00

Praxair Oakland

Received: 11/11/2003 16:35

**Samples Reported**

Sample Name	Date Sampled	Matrix	Lab #
SOIL LINE STOCKPILE	11/11/2003 09:30	Soil	2

Severn Trent Laboratories, Inc.

STL San Francisco \* 1220 Quarry Lane, Pleasanton, CA 94566

Tel 925 484 1919 Fax 925 484 1096 \* www.stl-inc.com \* CA DHS ELAP# 2496

11/24/2003 11:43



STL

CAM W.E.T. (STLC) Lead

Kennedy/Jenks-San Francisco

Attn.: Meredith Durant

622 Folsom Street  
San Francisco, CA 94107-1366  
Phone: (415) 243-2534 Fax: (415) 896-0999

Project: 000128.00  
Praxair Oakland

Received: 11/11/2003 16:35

Prep(s):	3005A	Test(s):	6010B
Sample ID:	SOIL LINE STOCKPILE	Lab ID:	2003-11-0425 - 2
Sampled:	11/11/2003 09:30	Extracted:	11/24/2003 05:06
Matrix:	Soil	QC Batch#:	2003/11/24-01.15

Compound	Conc.	RL	Unit	Dilution	Analyzed	Flag
Lead	1.8	0.50	mg/L	1.00	11/24/2003 09:40	

CAM W.E.T. (STLC) Lead

Kennedy/Jenks-San Francisco

Attn.: Meredith Durant

622 Folsom Street  
San Francisco, CA 94107-1366  
Phone: (415) 243-2534 Fax: (415) 896-0999

Project: 000128.00  
Praxair Oakland

Received: 11/11/2003 16:35

Batch QC Report

Prep(s): 3005A

Test(s): 6010B

Method Blank

Soil

QC Batch # 2003/11/24-01.15

MB: 2003/11/24-01.15-020

Date Extracted: 11/24/2003 05:06

Compound	Conc.	RL	Unit	Analyzed	Flag
Lead	ND	0.50	mg/L	11/24/2003 09:37	

**CAM W.E.T. (STLC) Lead**

Kennedy/Jenks-San Francisco

Attn.: Meredith Durant

622 Folsom Street  
San Francisco, CA 94107-1366  
Phone: (415) 243-2534 Fax: (415) 896-0999

Project: 000128.00  
Praxair Oakland

Received: 11/11/2003 16:35

**Batch QC Report**

Prep(s): 3005A

Test(s): 6010B

Laboratory Control Spike

Soil

QC Batch # 2003/11/24-01.15

LCS: 2003/11/24-01.15-021

Extracted: 11/24/2003

Analyzed: 11/24/2003 09:37

LCSD: 2003/11/24-01.15-022

Extracted: 11/24/2003

Analyzed: 11/24/2003 09:38

Compound	Conc. mg/L		Exp. Conc.	Recovery %		RPD	Ctrl. Limits %		Flags	
	LCS	LCSD		LCS	LCSD		%	Rec.	RPD	LCS
Lead	5.18	4.90	5.00	103.6	98.0	5.6	80-120	20		

Sample Chain-of-Custody/Analysis Request

2003-11-0425

80101

Kennedy/Jenks Consultants

Possible Hazards Analytes  
 Client Proxair Oakland Report to Meredith Durant  
 Site Oakland Company Kennedy Jenks  
 Project No. 000128.00 Address 622 Folsom St  
 Sampler Name J. Farrell SF, CA 94107  
 Telephone 415-243-2506 Fax 415-896-0999

(5) Analytes Requested				
TEPH	SPASM			
CAM17	Metals			
PH				

Lab Destination STL SF  
 Address Quarry Lane  
Pleasanton, CA  
 Telephone 925-484-1919  
 Carrier/Way Bill No. \_\_\_\_\_

(1) Lab ID No.	(1) Client ID No.	Collection		(2)		(3)	(4)	Turn-around	(5) Analytes Requested					Comment/Conditions (container type, container number, etc.)			
		Date	Time	Type	Depth	Comp.	Pres.		TEPH	SPASM	CAM17	Metals	PH				
				Tower Sump Pipe	11/11/03	1000	S	2	-	None	SOAK	X					Bress Sleeve each
				Soil Line Stockpile	11/11/03	0930	S	-	-	None	5 Day	X	X				↓
				KB-13 Stockpile	11/11/03	0900	S	-	-	None	5 Day	X	X				
																	*Homogenize each sample.*

- (1) Write only one sample number in each space.
- (2) Specify type of sample(s): Water (W), Solid (S), or indicate type.
- (3) Mark each sample which should be composited in Laboratory as follows: Place an "A" in box for each sample that should be composited into one sample; use sequential letter for additional groups.

- (4) Preservation of sample.
- (5) Write each analysis requested across top. Place an "X" in appropriate column to indicate type of analysis needed for each sample.

Sample Relinquished By					Sample Received By				
Print Name	Signature	Company	Date	Time	Print Name	Signature	Company	Date	Time
J. Farrell	[Signature]	Kennedy Jenks	11/11/03	1357	Rodney Allen	[Signature]	STL-SF	11/11/03	13:55
Rodney Allen	[Signature]	STL-SF	11/11/03	16:25					
					Nounak	[Signature]	STL-SF	11/11/03	16:25

**STL San Francisco**

**Sample Receipt Checklist**

Submission #: 2003- 11 - 0425

Checklist completed by: (initials) DSH Date: 11 / 13 /03

Courier name:  STL San Francisco  Client \_\_\_\_\_

Custody seals intact on shipping container/samples

Yes \_\_\_ No \_\_\_ Not Present

Chain of custody present?

Yes  No \_\_\_

Chain of custody signed when relinquished and received?

Yes  No \_\_\_

Chain of custody agrees with sample labels?

Yes  No \_\_\_

Samples in proper container/bottle?

Yes  No \_\_\_

Sample containers intact?

Yes  No \_\_\_

Sufficient sample volume for indicated test?

Yes  No \_\_\_

All samples received within holding time?

Yes  No \_\_\_

Container/Temp Blank temperature in compliance (4° C ± 2)?

Temp: 2.4°C Yes  No \_\_\_

Ice Present Yes  No \_\_\_

Water - VOA vials have zero headspace?

No VOA vials submitted  Yes \_\_\_ No \_\_\_

(if bubble is present, refer to approximate bubble size and itemize in comments as S (small - **O**), M (medium - **O**) or L (large - **O**))

Water - pH acceptable upon receipt?  Yes  No

*Soil*

pH adjusted- Preservative used:  HNO<sub>3</sub>  HCl  H<sub>2</sub>SO<sub>4</sub>  NaOH  ZnOAc -Lot #(s) \_\_\_\_\_

For any item check-listed "No", provided detail of discrepancy in comment section below:

**Comments:**

**Project Management [Routing for instruction of indicated discrepancy(ies)]**

Project Manager: (initials) \_\_\_\_\_ Date: \_\_\_\_\_ / \_\_\_\_\_ /03

Client contacted:  Yes  No

Summary of discussion:

Corrective Action (per PM/Client):



## **Attachment D**

---

### **Residuals Management Documentation**

## **Attachment D: Residuals Management Documentation**

---

Please note that the attached non-hazardous waste manifest indicates a weight of material (24 tons) that includes not only the soil excavated from the area near Boring KB-13 and the lime-impacted soil, but also includes a significant quantity of steel utility piping, timber piles, plastic sheeting, and cardboard.



### Vasco Road Landfill NON-HAZARDOUS WASTE MANIFEST

#### GENERATOR INFORMATION

Generator Name: Praxair, Inc.  
Address: P.O. Box 44  
City: Tonawanda County: Site: Alameda  
State: NY Zip: 14150

Site Location: \_\_\_\_\_

#### CUSTOMER/BILLING INFORMATION

Billing Name: Pacific States Environmental  
Address: 11555 Dublin Blvd  
City: Dublin County: Alameda  
State: CA Zip: 94568

Republic Services Approval Number	Description of Waste	Volume or Weight	Expiration Date	Container Type
1002369	Soil / ADC	24 Ton(s)	12/1/2004	
Disposal Instructions				
Use as ADC in Area 3 ONLY. No free liquids or debris. Moisture content MUST be < 50%.				

The above Disposal Instructions are a requirement of Republic Services, Inc., for management of the probed material. The approval is based upon a review of information provided by the generator and is contingent upon the receipt at the disposal facility of a waste material equivalently equivalent in chemical and physical characteristics and properties to that probed.

I hereby certify that the above described materials are non-hazardous wastes as defined by 49 CFR 261 or any applicable state law. Further, that the above named materials are properly classified, described, packaged, marked, and labeled, and are in proper condition for transportation according to the applicable regulations of the Department of Transportation.

NICHOLAS A. DiFRANCO

Generator/Authorized Agent Name

Signature

Date Shipped

#### TRANSPORTER INFORMATION

Transporter Name: \_\_\_\_\_ DOT Number: \_\_\_\_\_  
Address: \_\_\_\_\_ Truck Number: \_\_\_\_\_  
Phone Number: \_\_\_\_\_

I certify no hazardous waste or other regulated substance was knowingly introduced to the waste while in my custody. The waste transported in this vehicle is the waste identified above, to the best of my knowledge.

Name of Authorized Agent

Signature

Date Delivered

#### DISPOSAL SITE INFORMATION

Site Name: Vasco Road Phone Number: (925) 447-0491  
Address: 4001 North Vasco Road Fax Number: (925) 417-0499  
Livermore, CA 94550

I hereby acknowledge receipt of the above described material.

Name (Print or Type)

Signature

Date Received

RpCstPr.rpt

Vasco Road Landfill

**Customer Profile Report**

Page 1 of 1  
12/9/2003  
9:59AM

Transactions from 12/01/2003 through 12/09/2003  
Third Party and Intercompany Customers  
Recycle and Disposal Waste  
Inbound and Outbound Tickets  
Full Details

Customer: PAC ST  
Profile: 1002369

Ticket	Date	Truck	Rate	Yards	Units	Tons	Adjusted Tons	Disposal Dollars
<b>PAC ST - PACIFIC STATES ENVIR</b>								
→ 1002369 - PRAXAIR, INC.								
476290	12/04/03	69		0.00	0.00	26.54	0.00	
1002369 - PRAXAIR, INC.				0.00	0.00	26.54	0.00	
<i>( ticket and 1 transaction</i>								
<b>PAC ST - PACIFIC STATES ENVIR</b>								
<i>ticket and 1 transaction</i>								
				0.00	0.00	26.54	0.00	
<b>Report Grand Totals</b>								
<i>ticket and 1 transaction</i>								
				0.00	0.00	26.54	0.00	