



Alexis Coulter
Project Manager
Marketing Business Unit

**Chevron Environmental
Management Company**
6101 Bollinger Canyon Road
San Ramon, CA 94583
Tel (925) 790-6441
acoulter@chevron.com

RECEIVED

By Alameda County Environmental Health at 12:18 pm, Dec 31, 2014

Alameda County Health Care Services
1131 Harbor Bay Parkway, Suite 250
Alameda, CA 94502-6577

Re: Former Chevron Service Station No. 93600
2200 Telegraph Avenue
Oakland, California

I have reviewed the attached report titled *Well Destruction Report*

I agree with the conclusions and recommendations presented in the referenced report. The information in this report is accurate to the best of my knowledge and all local Agency/Regional Board guidelines have been followed. This report was prepared by Conestoga-Rovers & Associates, upon whose assistance and advice I have relied.

This letter is submitted pursuant to the requirements of California Water Code Section 13267(b)(1) and the regulating implementation entitled Appendix A pertaining thereto.

I declare under penalty of perjury that the foregoing is true and correct to the best of my knowledge.

Sincerely,

A handwritten signature in blue ink that reads "Alexis Coulter".

Alexis Coulter
Project Manager

Attachment: *Well Destruction Report*



**CONESTOGA-ROVERS
& ASSOCIATES**

5900 Hollis Street, Suite A
Emeryville, California 94608
Telephone: (510) 420--0700 Fax: (510) 420--9170
<http://www.craworld.com>

December 30, 2014

Reference No. 311965

Mr. Mark Detterman, P.G., C.E.G.
Alameda County Environmental Health
1131 Harbor Bay Parkway, Suite 250
Alameda, California 94502--6577

Re: **Well Destruction Report**
Former Chevron Service Station 93600
2200 Telegraph Avenue
Oakland, California
Case No. RO0002435

Dear Mr. Detterman:

Conestoga--Rovers & Associates (CRA) is submitting this *Well Destruction Report* for the site referenced above (Figure 1) on behalf of Chevron Environmental Management Company (EMC). As the final step for case closure, in accordance with the Alameda County Environmental Health (ACEH) correspondences dated August 6, 2014 (Attachment A), monitoring wells MW-1, MW-2, and MW-3 were destroyed as described below.

1.0 Well Destruction Activities

Permits

Well destruction was performed in general accordance with Alameda County Public Works Agency (ACPWA) water resources well permits W2014-0951, W2014-0952, and W2014-0953, dated October 21, 2014 (Attachment B).

Site Health and Safety Plan

CRA prepared a site specific Health and Safety Plan (HASP) to protect site workers and visitors during the well destruction activities. The HASP was kept onsite, and reviewed, signed, and followed by site workers and visitors.

Equal
Employment Opportunity
Employer



December 30, 2015

Reference No. 311965

-- 2 --

Underground Utility Location

CRA marked the site for Underground Service Alert (USA) clearance and notified USA prior to beginning work. On October 31, 2014, private underground utility locator, NORCAL Geophysical Consultants Inc., of Cotati, California, was contracted to identify subsurface utilities and obstructions near the wells and to confirm markings by USA.

Well Destruction

On November 20, 2014, CRA staff observed Vapor Tech Services (C--57 License No. 916085) destroy wells MW-1, MW-2, and MW-3 (Figure 2). As permitted by ACPWA, the wells were destroyed by pressure grouting. Pressure grouting was completed by injecting neat Portland Type II/V cement through a tremie pipe to the wells' total depths. A pressure of 25 pounds per square inch or greater was then applied to the well casing for 5 minutes or greater. The well boxes were removed and backfilled with black concrete to match the existing grade. CRA's *Standard Field Procedures for Monitoring Well Destruction* is presented as Attachment C.

Well Completion Reports

On December 1, 2014, CRA submitted Well Completion Reports to the Department of Water Resources (DWR) and ACPWA under a separate cover. The DWR Well Completion Reports are confidential documents and are not included in this report. Copies are maintained in our files and can be provided upon written request.

Waste Removal

The only waste generated during well destruction activities was construction debris in the form of concrete and well box debris. The construction debris was transported off site the same day as the well destruction activities.

2.0 Closing

All monitoring wells at the site have been destroyed, therefore completing case closure activities approved by ACEH (Attachment A). On behalf of EMC, CRA requests a final no further action approval letter be issued for this site.



**CONESTOGA-ROVERS
& ASSOCIATES**

December 30, 2015

Reference No. 311965

-- 3 --

Please contact Mr. Nathan Lee at (925) 849-1003 if you have any questions or need any additional information.

Regards,
CONESTOGA--ROVERS & ASSOCIATES

A handwritten signature in cursive script, reading 'Kiersten Hoey'.

Kiersten Hoey

A handwritten signature in cursive script, reading 'Nathan Lee'.

Nathan Lee, P.G.



KH/mws/17
Encl.

Figure 1 Vicinity Map
Figure 2 Site Plan

Attachment A ACEH Correspondence
Attachment B Permits
Attachment C CRA's Standard Field Procedures for Well Destructions

cc: Mrs. Alexis Coulter, Chevron (*electronic copy only*)
 Mash Petroleum Inc. 428 13th Street, 10th Floor, Oakland, CA 94612

FIGURES

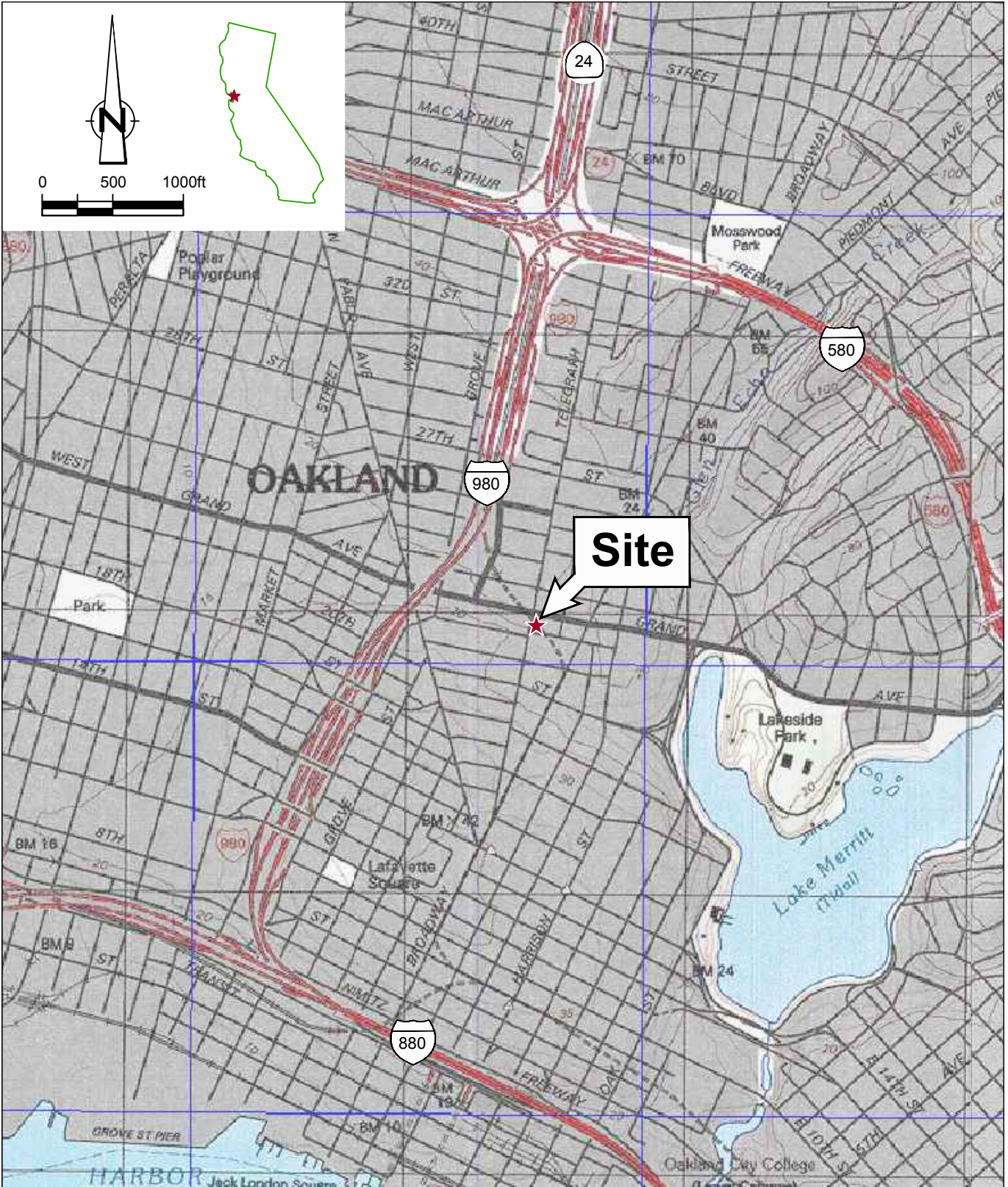
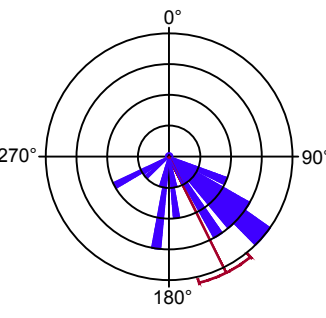
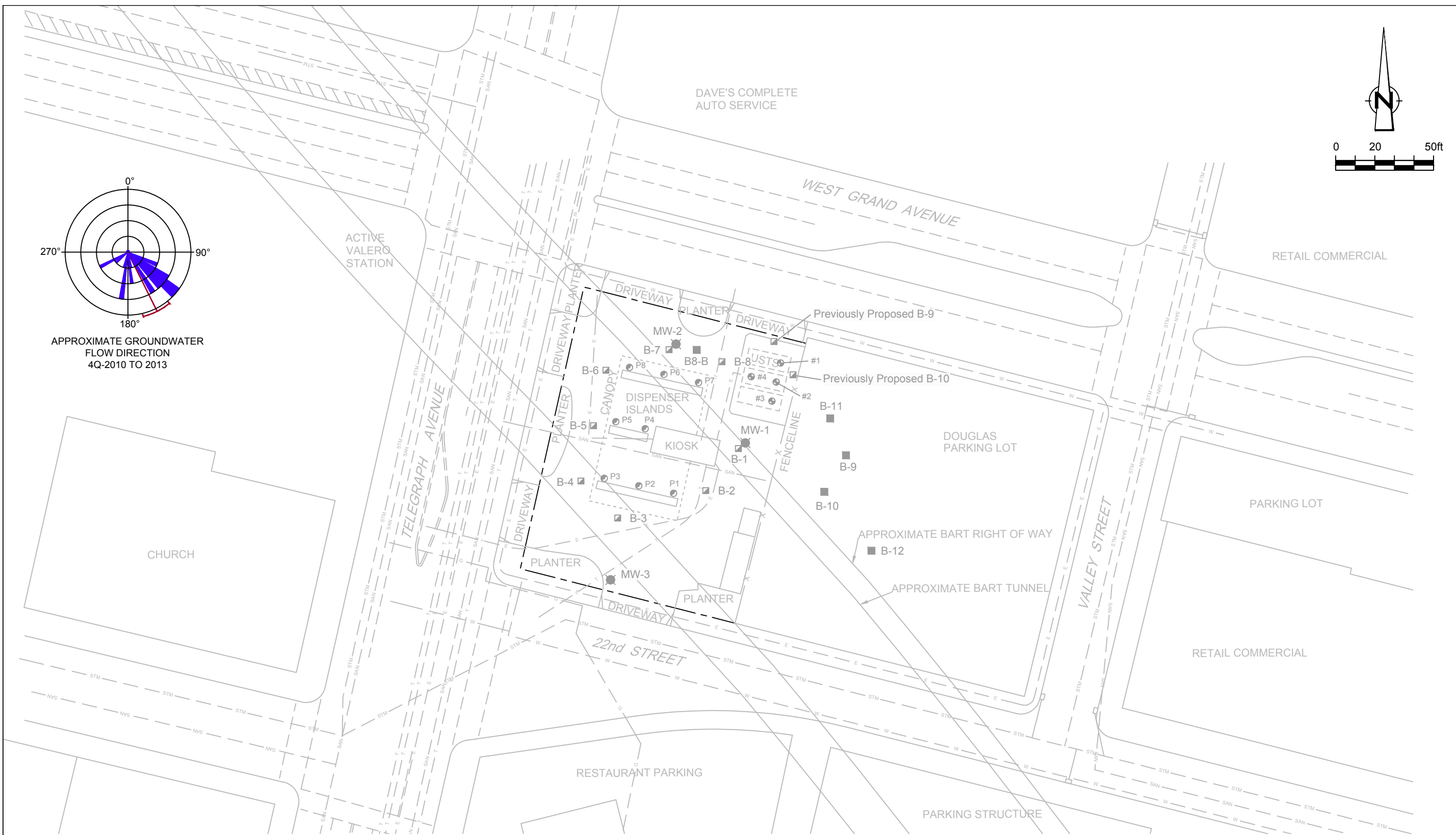
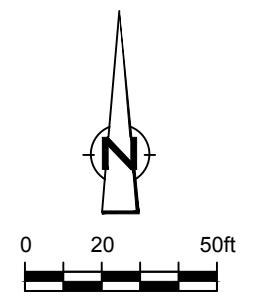


Figure 1
 VICINITY MAP
 FORMER CHEVRON SERVICE STATION 93600
 2200 TELEGRAPH AVENUE
 Oakland, California





APPROXIMATE GROUNDWATER FLOW DIRECTION 4Q-2010 TO 2013



LEGEND

- B-8B ■ SOIL BORING LOCATION
- MW-1 ☒ DESTROYED MONITORING WELL LOCATION
- B-1 □ SOIL BORING LOCATION (BASELINE INVESTIGATION, 2000)
- P1 ● PRODUCT LINE SOIL SAMPLE LOCATION (1994)
- #1 ● TANK PIT SOIL SAMPLE LOCATION (1986)

- W --- WATER LINE
- E --- ELECTRICAL LINE
- G --- GAS LINE
- S --- SANITARY SEWER LINE
- STM --- STORM DRAIN LINE
- T --- TELECOMMUNICATIONS LINE



BASEMAP MODIFIED FROM DRAWING PROVIDED BY GETTLER-RYAN INC.

Figure 2
SITE PLAN
FORMER CHEVRON SERVICE STATION 93600
2200 TELEGRAPH AVENUE
Oakland, California

ATTACHMENT A
ACEH CORRESPONDENCE



ENVIRONMENTAL HEALTH SERVICES
ENVIRONMENTAL PROTECTION
1131 Harbor Bay Parkway, Suite 250
Alameda, CA 94502-6577
(510) 567-6700
FAX (510) 337-9335

August 6, 2014

Ms. Alexis Fischer
Chevron Environmental Management Co.
6101 Bollinger Canyon Road
San Ramon, CA 94583
(sent via electronic mail to AFischer@chevron.com)

Ui Hwang
909 Trent Street
Concord, CA 94518

Choung & Myung Inc.
2200 Telegraph Avenue
Oakland, CA 94612

Subject: Landowner and Public Participation Notification for Case Closure Consideration; Fuel Leak Case No. RO0002435 and Geotracker Global ID T0600161613, Chevron #9-3600, 2200 Telegraph Avenue, Oakland, CA 94612

Dear Responsible Parties:

Alameda County Environmental Health (ACEH) is reviewing the site cleanup program case file for the above referenced site for potential case closure. As you are aware a site investigation and groundwater monitoring for underground storage tank leaks has been performed at the subject property to which you are named as the primary or active responsible party.

List of Landowners Form

Pursuant to Section 25297.15 (a), Alameda County Environmental Health (ACEH), the local agency, shall not consider cleanup or site closure proposals from the primary or active responsible party, issue a closure letter, or make a determination that no further action is required with respect to a site upon which there was an unauthorized release of hazardous substances unless all current record owners of fee title to the site of the proposed action have been notified of the proposed action by the primary or active responsible party. ACEH is required to notify the primary or active responsible party of their requirement to certify in writing to the local agency that the notification requirement in the above-mentioned regulation has been satisfied and to provide the local agency with a complete mailing list of all record fee title owners.

To satisfy this requirement, please complete the enclosed *List of Landowners Form*, and mail or e-mail it back to ACEH by the date identified below. Also your comments, if any, must be considered prior to the proposed closure. Please respond within 30 days from the date of this letter for your comments to be considered.

Public Participation

Public participation is a requirement for the Corrective Action Plan and case closure process. In order to notify potentially affected members of the public of the potential case closure, ACEH has distributed the attached *Notification of Potential Case Closure* to addresses in the immediate vicinity. The *Notification of Potential Case Closure* requests that landowners or residents submit any comments or questions to ACEH regarding potential case closure by **October 13, 2014**. ACEH will consider all comments from the public prior to potential case closure.

Request for Monitoring Well Destruction Scheduling and Waste Removal

Local Oversight Programs are required by the State's Low Threat Closure Policy (LTCP) to issue a uniform closure letter within 30 days from the end of the public comment period and completion of associated tasks (report of monitoring well destruction and waste removal) for case closures. After written ACEH concurrence (e-mail or other) that there have been no comments of significance you would be free to proceed with well destruction and waste removal activities.

In general, in order to meet this timeline ACEH requests that wells be scheduled for destruction, wastes (as defined by the LTCP) be removed from the site, and a Well Decommissioning Report and appropriate disposal documentation submitted as soon as possible after the end date of the public comment period. Please contact

the Alameda County Public Works Agency at 510-567-6791 or online, to obtain the required well destruction permits. Please provide notification to ACEH of the date of planned well destruction and waste removal activities.

TECHNICAL REPORT REQUEST

Please upload technical reports to the ACEH ftp site (Attention: Mark Detterman), and to the State Water Resources Control Board's Geotracker website, in accordance with the specified file naming convention below, according to the following schedule:

- **August 11, 2014** – Public Comment Period Begins
- **October 13, 2014** – Public Comment Period Ends
- **December 19, 2014** – Complete Well Decommissioning and Waste Removal. (Please notify ACEH at least 48-hours in advance with an e-mail message to mark.detterman@acgov.org)
- **February 2, 2015** – Well Decommissioning Report (with waste disposal documentation)
File to be named: RO2435_WELL_DCM_R_yyyy-mm-dd
- **4 Weeks After Completion of All Required Submittal Tasks** – Uniform Closure Letter Issued
(Provided no public comments of substance have been submitted)

Online case files are available for review at the following website: <http://www.acgov.org/aceh/index.htm>.

Should you have any questions, please contact me at (510) 567--6876 or send me an electronic mail message at mark.detterman@acgov.org.

Sincerely,



Digitally signed by Mark E. Detterman
DN: cn=Mark E. Detterman, o, ou,
email, c=US
Date: 2014.08.06 15:31:53 -07'00'

Mark E. Detterman, PG, CEG
Senior Hazardous Materials Specialist

Enclosures: Attachment 1 – Responsible Party (ies) Legal Requirements/Obligations & Electronic Report Upload (ftp) Instructions

Attachment A – *Invitation to Comment – Potential Case Closure*

Attachment B – Mailing List

Attachment C – List of Landowners Form

cc: Kiersten Hoey, Conestoga-Rovers & Assoc., 5900 Hollis Street, Suite A, Emeryville, CA 94608
(sent via E-mail to KHoey@croworld.com)

Brandon Wilken, Conestoga-Rovers & Assoc., 5900 Hollis Street, Suite A, Emeryville, CA 94608
(sent via E-mail to BWilken@croworld.com)

Dilan Roe, ACEH (sent via electronic mail to dilan.roe@acgov.org)

Mark Detterman, ACEH (sent via electronic mail to mark.detterman@acgov.org)

Geotracker, Electronic File

Attachment 1

Responsible Party(ies) Legal Requirements / Obligations

REPORT REQUESTS

These reports are being requested pursuant to California Health and Safety Code Section 25296.10. 23 CCR Sections 2652 through 2654, and 2721 through 2728 outline the responsibilities of a responsible party in response to an unauthorized release from a petroleum UST system, and require your compliance with this request.

ELECTRONIC SUBMITTAL OF REPORTS

ACEH's Environmental Cleanup Oversight Programs (LOP and SLIC) require submission of reports in electronic form. The electronic copy replaces paper copies and is expected to be used for all public information requests, regulatory review, and compliance/enforcement activities. Instructions for submission of electronic documents to the Alameda County Environmental Cleanup Oversight Program FTP site are provided on the attached "Electronic Report Upload Instructions." Submission of reports to the Alameda County FTP site is an addition to existing requirements for electronic submittal of information to the State Water Resources Control Board (SWRCB) GeoTracker website. In September 2004, the SWRCB adopted regulations that require electronic submittal of information for all groundwater cleanup programs. For several years, responsible parties for cleanup of leaks from underground storage tanks (USTs) have been required to submit groundwater analytical data, surveyed locations of monitoring wells, and other data to the GeoTracker database over the Internet. Beginning July 1, 2005, these same reporting requirements were added to Spills, Leaks, Investigations, and Cleanup (SLIC) sites. Beginning July 1, 2005, electronic submittal of a complete copy of all reports for all sites is required in GeoTracker (in PDF format). Please visit the SWRCB website for more information on these requirements (http://www.waterboards.ca.gov/water_issues/programs/ust/electronic_submittal/).

PERJURY STATEMENT

All work plans, technical reports, or technical documents submitted to ACEH must be accompanied by a cover letter from the responsible party that states, at a minimum, the following: "I declare, under penalty of perjury, that the information and/or recommendations contained in the attached document or report is true and correct to the best of my knowledge." This letter must be signed by an officer or legally authorized representative of your company. Please include a cover letter satisfying these requirements with all future reports and technical documents submitted for this fuel leak case.

PROFESSIONAL CERTIFICATION & CONCLUSIONS/RECOMMENDATIONS

The California Business and Professions Code (Sections 6735, 6835, and 7835.1) requires that work plans and technical or implementation reports containing geologic or engineering evaluations and/or judgments be performed under the direction of an appropriately registered or certified professional. For your submittal to be considered a valid technical report, you are to present site specific data, data interpretations, and recommendations prepared by an appropriately licensed professional and include the professional registration stamp, signature, and statement of professional certification. Please ensure all that all technical reports submitted for this fuel leak case meet this requirement.

UNDERGROUND STORAGE TANK CLEANUP FUND

Please note that delays in investigation, later reports, or enforcement actions may result in your becoming ineligible to receive grant money from the state's Underground Storage Tank Cleanup Fund (Senate Bill 2004) to reimburse you for the cost of cleanup.

AGENCY OVERSIGHT

If it appears as though significant delays are occurring or reports are not submitted as requested, we will consider referring your case to the Regional Board or other appropriate agency, including the County District Attorney, for possible enforcement actions. California Health and Safety Code, Section 25299.76 authorizes enforcement including administrative action or monetary penalties of up to \$10,000 per day for each day of violation.

Alameda County Environmental Cleanup Oversight Programs (LOP and SLIC)	REVISION DATE: May 15, 2014
	ISSUE DATE: July 5, 2005
	PREVIOUS REVISIONS: October 31, 2005; December 16, 2005; March 27, 2009; July 8, 2010, July 25, 2010
SECTION: Miscellaneous Administrative Topics & Procedures	SUBJECT: Electronic Report Upload (ftp) Instructions

The Alameda County Environmental Cleanup Oversight Programs (LOP and SLIC) require submission of all reports in electronic form to the county's ftp site. Paper copies of reports will no longer be accepted. The electronic copy replaces the paper copy and will be used for all public information requests, regulatory review, and compliance/enforcement activities.

REQUIREMENTS

- Please **do not** submit reports as attachments to electronic mail.
- Entire report including cover letter must be submitted to the ftp site as a **single portable document format (PDF) with no password protection**.
- It is **preferable** that reports be converted to PDF format from their original format, (e.g., Microsoft Word) rather than scanned.
- **Signature pages and perjury statements must be included and have either original or electronic signature.**
- **Do not password protect the document.** Once indexed and inserted into the correct electronic case file, the document will be secured in compliance with the County's current security standards and a password. **Documents with password protection will not be accepted.**
- Each page in the PDF document should be rotated in the direction that will make it easiest to read on a computer monitor.
- Reports must be named and saved using the following naming convention:

RO#_Report Name_Year-Month-Date (e.g., RO#5555_WorkPlan_2005-06-14)

Submission Instructions

- 1) Obtain User Name and Password
 - a) Contact the Alameda County Environmental Health Department to obtain a User Name and Password to upload files to the ftp site.
 - i) Send an e-mail to deh.loptoxic@acgov.org
 - b) In the subject line of your request, be sure to include **"ftp PASSWORD REQUEST"** and in the body of your request, include the **Contact Information, Site Addresses, and the Case Numbers (RO# available in Geotracker) you will be posting for.**

- 2) Upload Files to the ftp Site
 - a) Using Internet Explorer (IE4+), go to <ftp://alcoftp1.acgov.org>
 - (i) Note: Netscape, Safari, and Firefox browsers will not open the FTP site as they are NOT being supported at this time.
 - b) Click on Page located on the Command bar on upper right side of window, and then scroll down to Open FTP Site in Windows Explorer.
 - c) Enter your User Name and Password. (Note: Both are Case Sensitive.)
 - d) Open "My Computer" on your computer and navigate to the file(s) you wish to upload to the ftp site.
 - e) With both "My Computer" and the ftp site open in separate windows, drag and drop the file(s) from "My Computer" to the ftp window.

- 3) Send E-mail Notifications to the Environmental Cleanup Oversight Programs
 - a) Send email to deh.loptoxic@acgov.org notify us that you have placed a report on our ftp site.
 - b) Copy your Caseworker on the e-mail. Your Caseworker's e-mail address is the entire first name then a period and entire last name @acgov.org. (e.g., firstname.lastname@acgov.org)
 - c) The subject line of the e-mail must start with the RO# followed by **Report Upload**. (e.g., Subject: RO1234 Report Upload) If site is a new case without an RO#, use the street address instead.
 - d) If your document meets the above requirements and you follow the submission instructions, you will receive a notification by email indicating that your document was successfully uploaded to the ftp site.



ENVIRONMENTAL HEALTH SERVICES
ENVIRONMENTAL PROTECTION
1131 Harbor Bay Parkway, Suite 250
Alameda, CA 94502-6577
(510) 567-6700
FAX (510) 337-9335

INVITATION TO COMMENT – POTENTIAL CASE CLOSURE

**CHEVRON #9-3600
2200 Telegraph Avenue, Oakland, CA 94612
FUEL LEAK CASE RO0002435
GEOTRACKER GLOBAL ID T0600161613**

August 6, 2014

The above referenced site is a fuel leak case that is under the regulatory oversight of the Alameda County Environmental Health (ACEH) Local Oversight Program for the investigation and cleanup of a release of petroleum hydrocarbons from an underground storage tank system. Site investigation and cleanup activities have been completed and the site has been evaluated in accordance with the State Water Resources Control Board Low-Threat Closure Policy. The site appears to meet all of the criteria in the Low-Threat Closure Policy. Therefore, ACEH is considering closure of the fuel leak case. Due to the residual contamination on site, the site would be closed with site management requirements that require further evaluation if the site is to be redeveloped in the future.

The public is invited to review and comment on the potential closure of the fuel leak case. This notice is being sent to the current occupants and landowners of the site and adjacent properties and other known interested parties. The entire case file can be viewed over the Internet on the ACEH website (<http://www.acgov.org/aceh/lop/ust.htm>) or the State of California Water Resources Control Board GeoTracker website (<http://geotracker.waterboards.ca.gov>). Please send written comments to Mark Detterman at the address below; all comments will be forwarded to the responsible parties. Comments **received by October 13, 2014** will be considered and responded to prior to a final determination on the proposed case closure.

If you have comments or questions regarding this site, please contact the ACEH caseworker, Mark Detterman at 510-567-6876 or by email at mark.detterman@acgov.org. Please refer to ACEH case RO0002435 in any correspondence.

BURGESS JOSEPH K HEIRS OF EST
Parcel #: 8-648-17
870 MARKET ST #320
SAN FRANCISCO CA 94102-3008

CHO YOON H
Parcel #: 8-657-11
1773 HERITAGE LN #2039
SACRAMENTO CA 95815-4952

CHONG & MYUNG INC
Parcel #: 8-658-9-1
2200 TELEGRAPH AVE
OAKLAND CA 94612-2316

CITY OAKLAND
Parcel #: 8-648-16-3
250 FRANK H OGAWA PLZ #4TH
OAKLAND CA 94612-2033

COMMERCIAL & IND SUPPLY
Parcel #: 8-658-6-2
600 W GRAND AVE
OAKLAND CA 94612-1621

COMMERCIAL & INDUSTRIAL SUPPLY COMPAN
Parcel #: 8-658-5-1
600 W GRAND AVE
OAKLAND CA 94612-1621

COOPERMAN LAURIE S & ROSEN GEORGE M
Parcel #: 8-648-1
4374 TURNER AVE
OAKLAND CA 94605-5541

FIRST BAPTIST CHURCH OF OAKLAND
Parcel #: 8-659-3-2
534 22ND ST
OAKLAND CA 94612-1614

HAHN YOUNG S & MIAE ETAL
Parcel #: 8-648-11-3
2150 TELEGRAPH AVE
OAKLAND CA 94612-2314

HIMY FAMILY PTP II LP
Parcel #: 8-648-18
4045 HORTON ST
EMERYVILLE CA 94608-3509

LEUNG DAVID & LISA TRS
Parcel #: 8-660-3-5
1117 FARRAGUT BLVD
FOSTER CITY CA 94404-3611

LEUNG DAVID & LISA TRS
Parcel #: 8-660-52-1
1117 FARRAGUT BLVD
FOSTER CITY CA 94404-3611

MV BROADWAY LLC
Parcel #: 8-658-10
P O BOX 530
ALAMEDA CA 94501-9630

MV BROADWAY LLC
Parcel #: 8-657-12
P O BOX 530
ALAMEDA CA 94501-9630

OCCUPANT
Parcel #: 8-658-10
2201 VALLEY ST
OAKLAND CA 94612

OCCUPANT
Parcel #: 8-658-6-2
2250 TELEGRAPH AVE
OAKLAND CA 94612

OCCUPANT
Parcel #: 8-658-5-1
460 W GRAND AVE
OAKLAND CA 94612

OCCUPANT
Parcel #: 8-659-2-1
2225 TELEGRAPH AVE
OAKLAND CA 94612

OCCUPANT
Parcel #: 8-659-3-2
2201 TELEGRAPH AVE
OAKLAND CA 94612

OCCUPANT
Parcel #: 8-648-11-3
495 22ND ST
OAKLAND CA 94612

OCCUPANT
Parcel #: 8-648-16-3
2100 TELEGRAPH AVE
OAKLAND CA 94612

OCCUPANT
Parcel #: 8-657-12
2201 BROADWAY
OAKLAND CA 94612

OCCUPANT
Parcel #: 8-657-11
415 W GRAND AVE
OAKLAND CA 94612

OCCUPANT
Parcel #: 8-648-1
2147 BROADWAY
OAKLAND CA 94612

OCCUPANT
Parcel #: 8-648-17
2127 BROADWAY
OAKLAND CA 94612

OCCUPANT
Parcel #: 8-648-18
2101 BROADWAY
OAKLAND CA 94612

OCCUPANT
Parcel #: 8-660-3-5
2205 TELEGRAPH AVE
OAKLAND CA 94612

OCCUPANT
Parcel #: 8-660-52-1
W GRAND AVE
OAKLAND CA 94612

TRUONG LAM H
Parcel #: 8-659-2-1
28200 FOX HOLLOW DR
HAYWARD CA 94542-2249

East Bay Municipal Utility District
Chandra Johannesson
P.O. Box 24055,
Oakland, CA 94623

cjohanne@ebmud.com

City Of Oakland Fire Department
Leroy Griffin
150 Frank H. Ogawa Plaza Suite 3341
Oakland CA 94612

lgriffin@oaklandnet.com

Cherie McCaulou
Engineering Geologist
Regional Water Quality Control Board
San Francisco Bay Region
1515 Clay St, Ste 1400
Oakland, CA 94612

cmccaulou@waterboards.co.gov

LIST OF LANDOWNERS FORM

County of Alameda
Environmental Health Services
Environmental Protection
1131 Harbor Bay Parkway, Suite 250
Alameda, CA 94502-6577

CERTIFIED LIST OF RECORD FEE TITLE OWNERS FOR:

Site Name: Chevron # 9-3600,
Address: 2200 Telegraph Avenue
City, State, Zip: Oakland, CA 94612
Record ID #: RO0002435

Please fill out item 1 if there are multiple site landowners (attach an extra sheet if necessary). If you are the sole site landowner, skip item 1 and fill out item 2.

1. In accordance with Section 25297.15(a) of Chapter 6.7 of the California Health & Safety Code, I, _____ (name of primary responsible party), certify that the following is a complete list of current record fee title owners and their mailing addresses for the above site:

Name: _____

Address: _____

City, State, Zip: _____

E-mail _____

Address: _____

Name: _____

Address: _____

City, State, Zip: _____

E-mail _____

Address: _____

Name: _____

Address: _____

City, State, Zip: _____

E-mail _____

Address: _____

2. In accordance with Section 25297.15(a) of Chapter 6.7 of the California Health & Safety Code, I, _____, certify that I am the sole landowner for the above site.

Sincerely,

Signature of Primary
Responsible Party

Printed Name

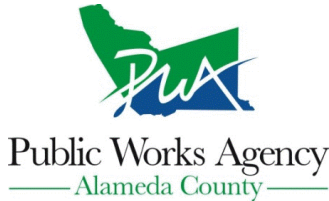
Date

E-mail Address

ATTACHMENT B

PERMITS

Alameda County Public Works Agency - Water Resources Well Permit



399 Elmhurst Street
Hayward, CA 94544-1395
Telephone: (510)670-6633 Fax:(510)782-1939

Application Approved on: 10/21/2014 By jamesy

Permit Numbers: W2014-0951 to W2014-0953
Permits Valid from 11/10/2014 to 12/10/2014

Application Id: 1412286668038
Site Location: 2200 Telegraph Avenue, Oakland
(Former Chevron Service Station 93600)

City of Project Site:Oakland

Project Start Date: 11/10/2014
Assigned Inspector: Contact Steve Miller at (510) 670-5517 or stevem@acpwa.org

Completion Date:12/10/2014

Applicant: Conestoga-Rovers & Associates - Kiersten Hoey
5900 Hollis Street, Suite A, Emeryville, CA 94608

Phone: 510-420-3347

Property Owner: Chong & Myung Inc.
2601 Telegraph Avenue, Oakland, CA 94612

Phone: 415-209-4066

Client: Chevron EMC
6101 Bollinger Canyon Road, San Ramon, CA 94583

Phone: 925-790-6441

Contact: Oliver Yan

Phone: 510-420-3372
Cell: --

	Total Due:	\$1191.00
Receipt Number: WR2014-0419	Total Amount Paid:	\$1191.00
Payer Name : Conestoga-Rovers & Associates		PAID IN FULL
Associates		

Works Requesting Permits:

Well Destruction-Monitoring - 3 Wells

Driller: Vapor Tech Services - Lic #: 916085 - Method: press

Work Total: \$1191.00

Specifications

Permit #	Issued Date	Expire Date	Owner Well Id	Hole Diam.	Casing Diam.	Seal Depth	Max. Depth	State Well #	Orig. Permit #	DWR #
W2014-0951	10/21/2014	02/08/2015	MW-1	8.00 in.	2.00 in.	3.00 ft	20.00 ft	No Records	No Records	No Records
W2014-0952	10/21/2014	02/08/2015	MW-2	8.00 in.	2.00 in.	3.00 ft	20.00 ft	No Records	No Records	No Records
W2014-0953	10/21/2014	02/08/2015	MW-3	8.00 in.	2.00 in.	3.00 ft	20.00 ft	No Records	No Records	No Records

Specific Work Permit Conditions

1. Drilling Permit(s) can be voided/ cancelled only in writing. It is the applicant's responsibility to notify Alameda County Public Works Agency, Water Resources Section in writing for an extension or to cancel the drilling permit application. No drilling permit application(s) shall be extended beyond ninety (90) days from the original start date. Applicants may not cancel a drilling permit application after the completion date of the permit issued has passed.

2. Prior to any drilling activities, it shall be the applicant's responsibility to contact and coordinate an Underground Service Alert (USA), obtain encroachment permit(s), excavation permit(s) or any other permits or agreements required for that Federal, State, County or City, and follow all City or County Ordinances. No work shall begin until all the permits and requirements have been approved or obtained. It shall also be the applicants responsibilities to provide to the Cities or to Alameda County an Traffic Safety Plan for any lane closures or detours planned. No work shall begin until all the permits and requirements have been approved or obtained.

3. Compliance with the well-sealing specifications shall not exempt the well-sealing contractor from complying with appropriate State reporting-requirements related to well construction or destruction (Sections 13750 through 13755 (Division 7, Chapter 10, Article 3) of the California Water Code). Contractor must complete State DWR Form 188 and

Alameda County Public Works Agency - Water Resources Well Permit

mail original to the Alameda County Public Works Agency, Water Resources Section, within 60 days. Include permit number and site map.

4. Permittee shall assume entire responsibility for all activities and uses under this permit and shall indemnify, defend and save the Alameda County Public Works Agency, its officers, agents, and employees free and harmless from any and all expense, cost and liability in connection with or resulting from the exercise of this Permit including, but not limited to, property damage, personal injury and wrongful death.

5. Applicant shall contact assigned inspector listed on the top of the permit at least five (5) working days prior to starting, once the permit has been approved. Confirm the scheduled date(s) at least 24 hours prior to drilling.

6. Permittee, permittee's contractors, consultants or agents shall be responsible to assure that all material or waters generated during drilling, boring destruction, and/or other activities associated with this Permit will be safely handled, properly managed, and disposed of according to all applicable federal, state, and local statutes regulating such. In no case shall these materials and/or waters be allowed to enter, or potentially enter, on or off-site storm sewers, dry wells, or waterways or be allowed to move off the property where work is being completed.

7. Remove the Christy box or similar structure.

Destroy well by grouting neat cement with a tremie pipe or pressure grouting (25 psi for 5min.) to the bottom of the well and by filling with neat cement to three (3-5) feet below surface grade. Allow the sealing material to spill over the top of the casing to fill any annular space between casing and soil.

After the seal has set, backfill the remaining hole with concrete or compacted material to match existing conditions.

8. Remove the Christy box or similar structure. Pressure Grout with Cement (Less than 30 ft in depth). After the seal has set, backfill the remaining hole with concrete or compacted material to match existing.

9. Copy of approved drilling permit must be on site at all times. Failure to present or show proof of the approved permit application on site shall result in a fine of \$500.00.

ATTACHMENT C

CRA'S STANDARD FIELD PROCEDURES FOR WELL DESTRUCTIONS

STANDARD FIELD PROCEDURES FOR MONITORING WELL DESTRUCTION

This document presents standard field procedures for properly destroying groundwater monitoring wells. The objective of well destruction is to destroy wells in a manner that is protective of potential water resources. The two procedures most commonly used are pressure grouting and drilling out the well. These procedures are designed to comply with Federal, State and local regulatory guidelines. Specific field procedures are summarized below.

Pressure Grouting

Pressure grouting consists of injecting neat Portland cement through a tremie pipe under pressure to the bottom of the well. The cement is composed of about five gallons of water to a 94 pound sack of Portland II/V Cement. Once the well casing is full of grout, it is pressurized for five minutes by applying a pressure of 25 pounds per square inch (psi) with a grout pump. The well casing can also be pressurized by extending the well casing to the appropriate height and filling it with grout. In either case, the additional pressure allows the grout to be forced into the sand pack. After grouting the sand pack and casing, the well vault is removed and the area resurfaced or backfilled as required.

Well Drill Out

When well drill out is required, the well location is cleared for subsurface utilities and a hollow-stem auger (or other appropriate) drilling rig is used to drill out the well casing and filter pack materials. First, drill rods are placed down the well and used to guide the augers as they drill out the well. A guide auger is used in place of the drill rods if feasible. Once the well is drilled out, the boring is filled with Portland cement injected through the augers or a tremmie pipe under pressure to the bottom of the boring. The well vault is removed and the area resurfaced or backfilled as required.

Waste Handling and Disposal

Soil cuttings from drilling activities are usually stockpiled onsite and covered by plastic sheeting. At least three individual soil samples are collected from the stockpiles and composited at the analytic laboratory. The composite sample is analyzed for the same constituents analyzed in the borehole samples in addition to any analytes required by the receiving disposal facility. Soil cuttings are transported by licensed waste haulers and disposed in secure, licensed facilities based on the composite analytic results.