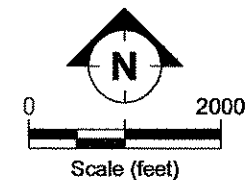


SOURCE: USGS Topographic Map



FILENAME: TOP01005.DWG 10/07/05



SITE LOCATION AND TOPOGRAPHIC MAP
 FORMER MOBIL STATION 04H6J
 1024 MAIN STREET
 PLEASANTON, CALIFORNIA

FIGURE:
1



Approximate
Groundwater Flow Direction
Gradient = 0.0026

LEGEND

- Groundwater monitoring well
- Recovery well
- Destroyed monitoring well
- Soil vapor extraction well
- (342.02) Groundwater elevation (feet)
- TPH-g Total Petroleum Hydrocarbons as gasoline
- MTBE Methyl tertiary butyl ether
- 1,2-DCA 1,2-Dichloroethane

Benzene	<0.50
Toluene	<0.50
Ethylbenzene	<0.50
Xylenes	<0.50
TPH-g	<50
MTBE (8260)	<0.50

Notes:
Wells MW4, MW6, and MW10 were used to calculate direction and gradient, as these wells are screened through the same sand/gravel layer. (310.45) MW12

Oxygenates and additives other than MTBE shown only where detected.

Concentrations in micrograms per liter (ug/L).

Benzene	<0.50
Toluene	<0.50
Ethylbenzene	<0.50
Xylenes	<0.50
TPH-g	<50
MTBE (8260)	<0.50

Benzene	<0.50
Toluene	<0.50
Ethylbenzene	<0.50
Xylenes	<0.50
TPH-g	<50
MTBE (8260)	<0.50

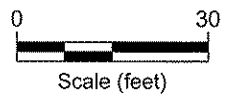
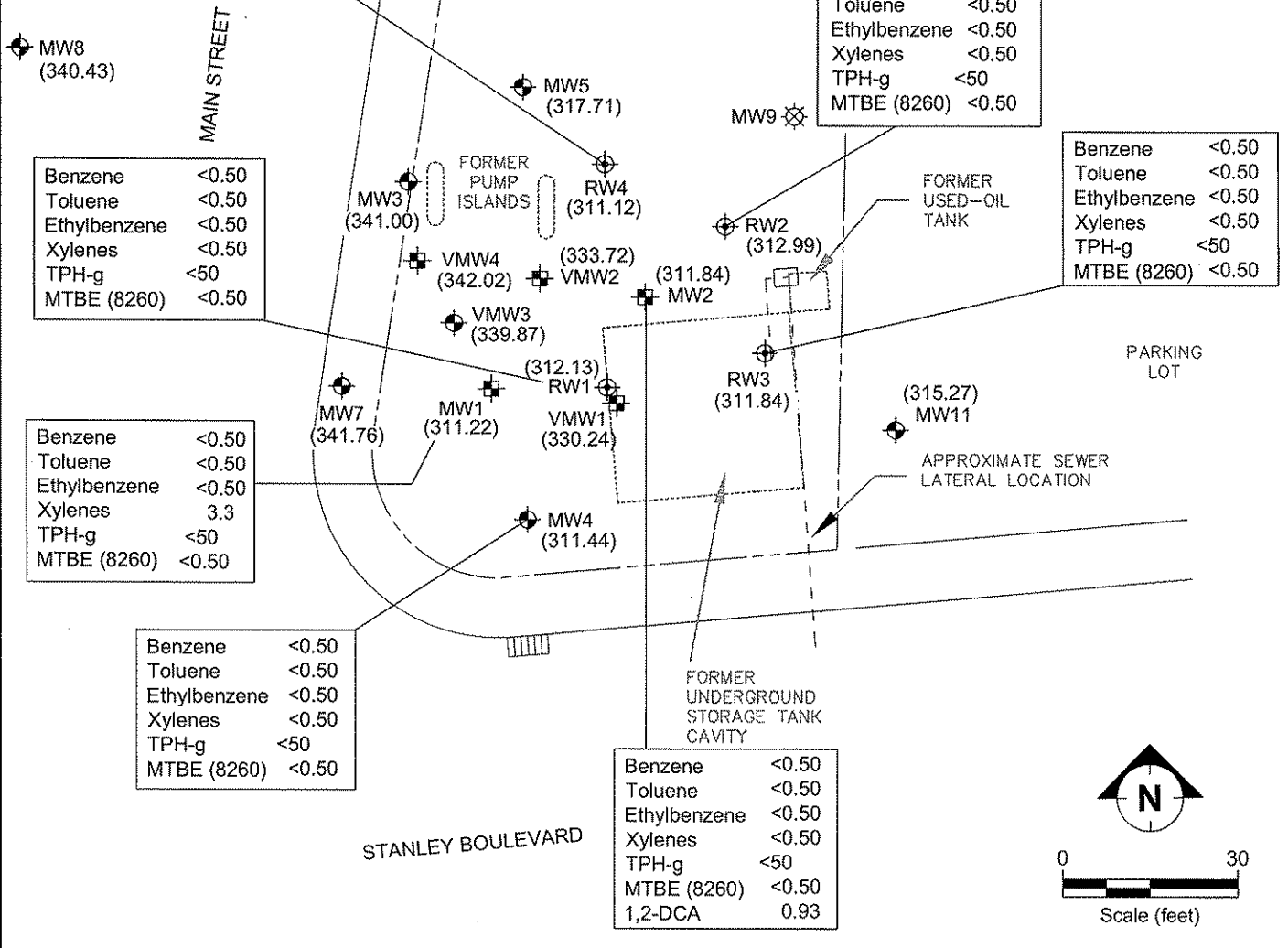
Benzene	<0.50
Toluene	<0.50
Ethylbenzene	<0.50
Xylenes	<0.50
TPH-g	<50
MTBE (8260)	<0.50

Benzene	<0.50
Toluene	<0.50
Ethylbenzene	<0.50
Xylenes	<0.50
TPH-g	<50
MTBE (8260)	<0.50

Benzene	<0.50
Toluene	<0.50
Ethylbenzene	<0.50
Xylenes	3.3
TPH-g	<50
MTBE (8260)	<0.50

Benzene	<0.50
Toluene	<0.50
Ethylbenzene	<0.50
Xylenes	<0.50
TPH-g	<50
MTBE (8260)	<0.50

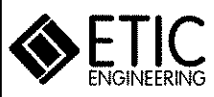
Benzene	<0.50
Toluene	<0.50
Ethylbenzene	<0.50
Xylenes	<0.50
TPH-g	<50
MTBE (8260)	<0.50
1,2-DCA	0.93



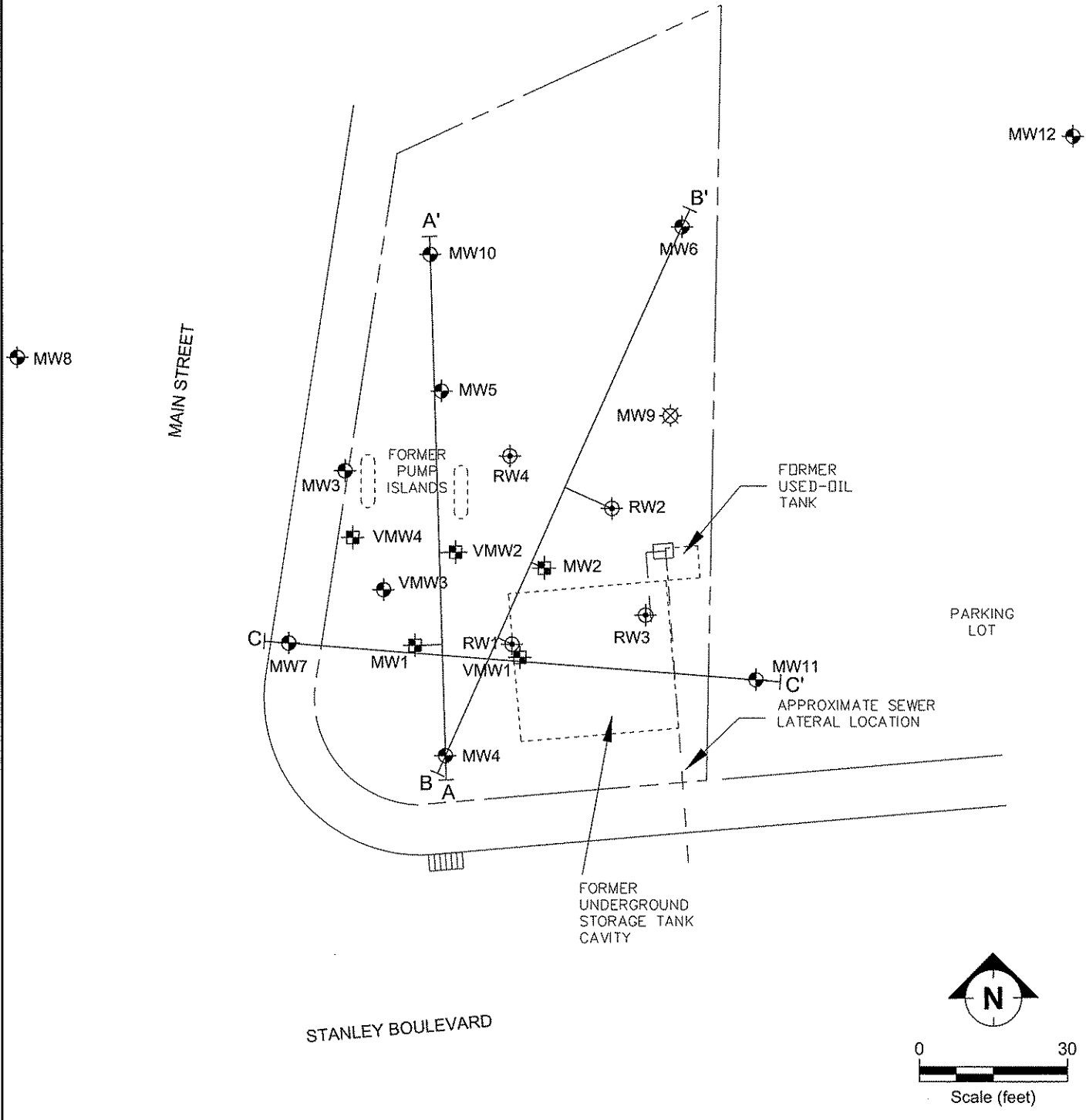
SITE MAP SHOWING GROUNDWATER ELEVATIONS AND ANALYTICAL RESULTS, FORMER MOBIL STATION 04H6J 1024 MAIN STREET, PLEASANTON, CALIFORNIA 6 JUNE 2008

FIGURE: **2**

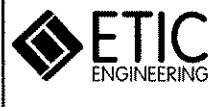
FILENAME: 2q2c008.DWG 07/07/08



LEGEND	
	Groundwater monitoring well
	Recovery well
	Destroyed monitoring well
	Soil vapor extraction well
A—A'	Lines of geologic cross-section

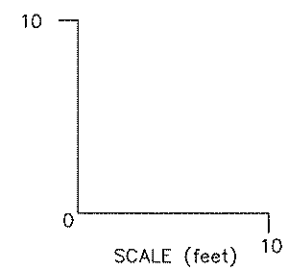
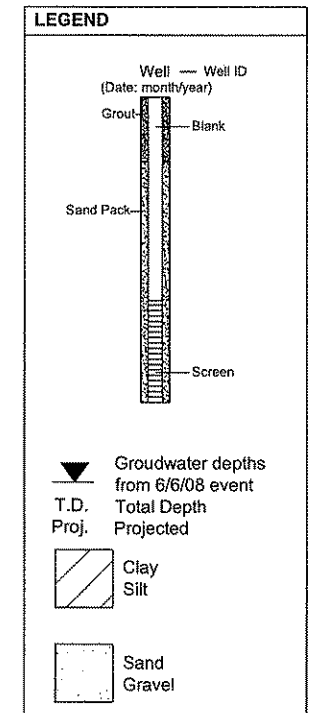
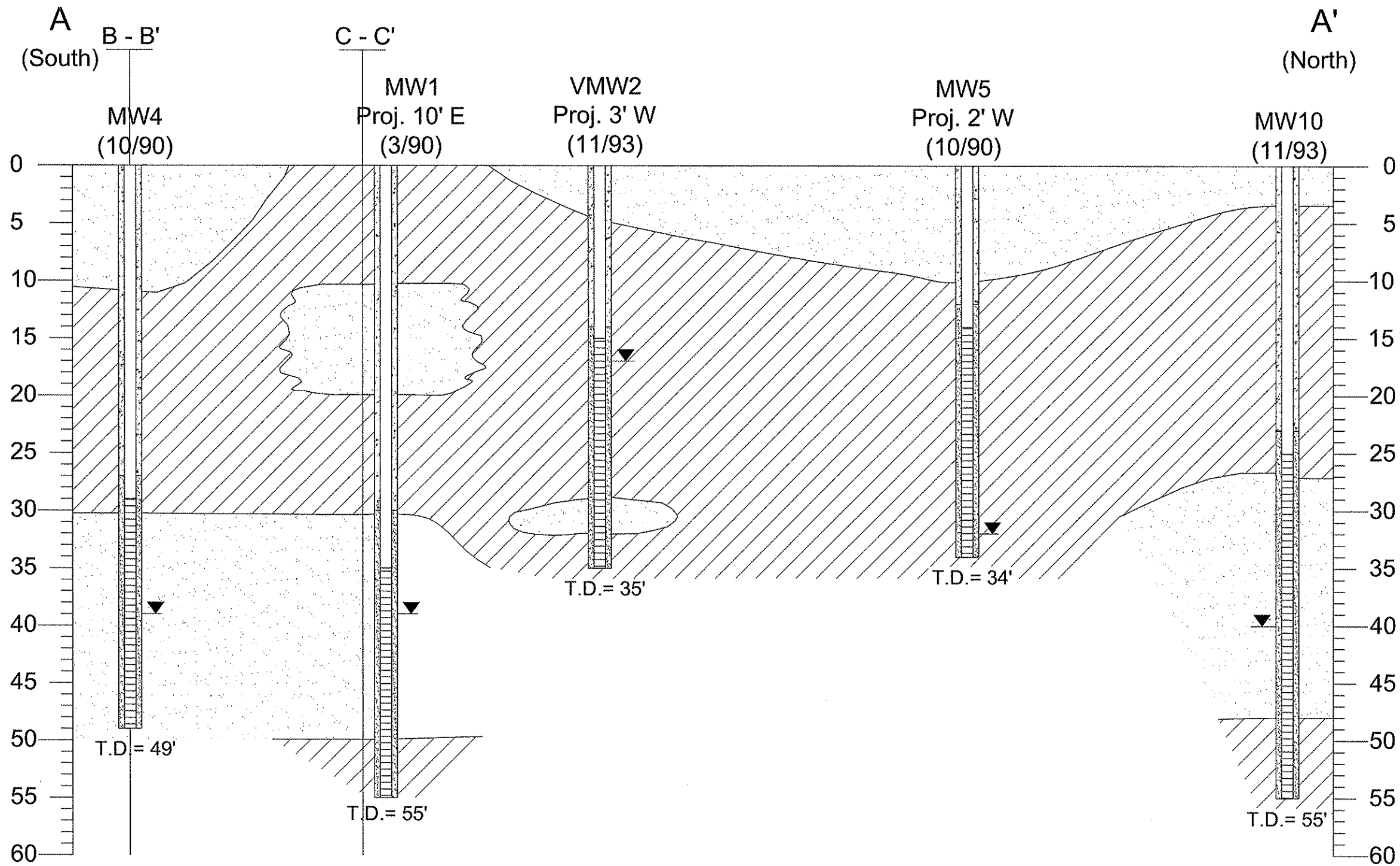


FILENAME: SECTION0108.DWG 01/11/08



SITE MAP SHOWING LINES OF GEOLOGIC CROSS-SECTION
 FORMER MOBIL STATION 04H6J
 1024 MAIN STREET
 PLEASANTON, CALIFORNIA

FIGURE:
3



Note: Groundwater depths are based on the depth to groundwater below top-of-casing. The difference in surface elevations is not shown but the surface elevations do not vary by more than 1-2 feet across the site.

FILENAME: SECTION0108.DWG 01/11/08

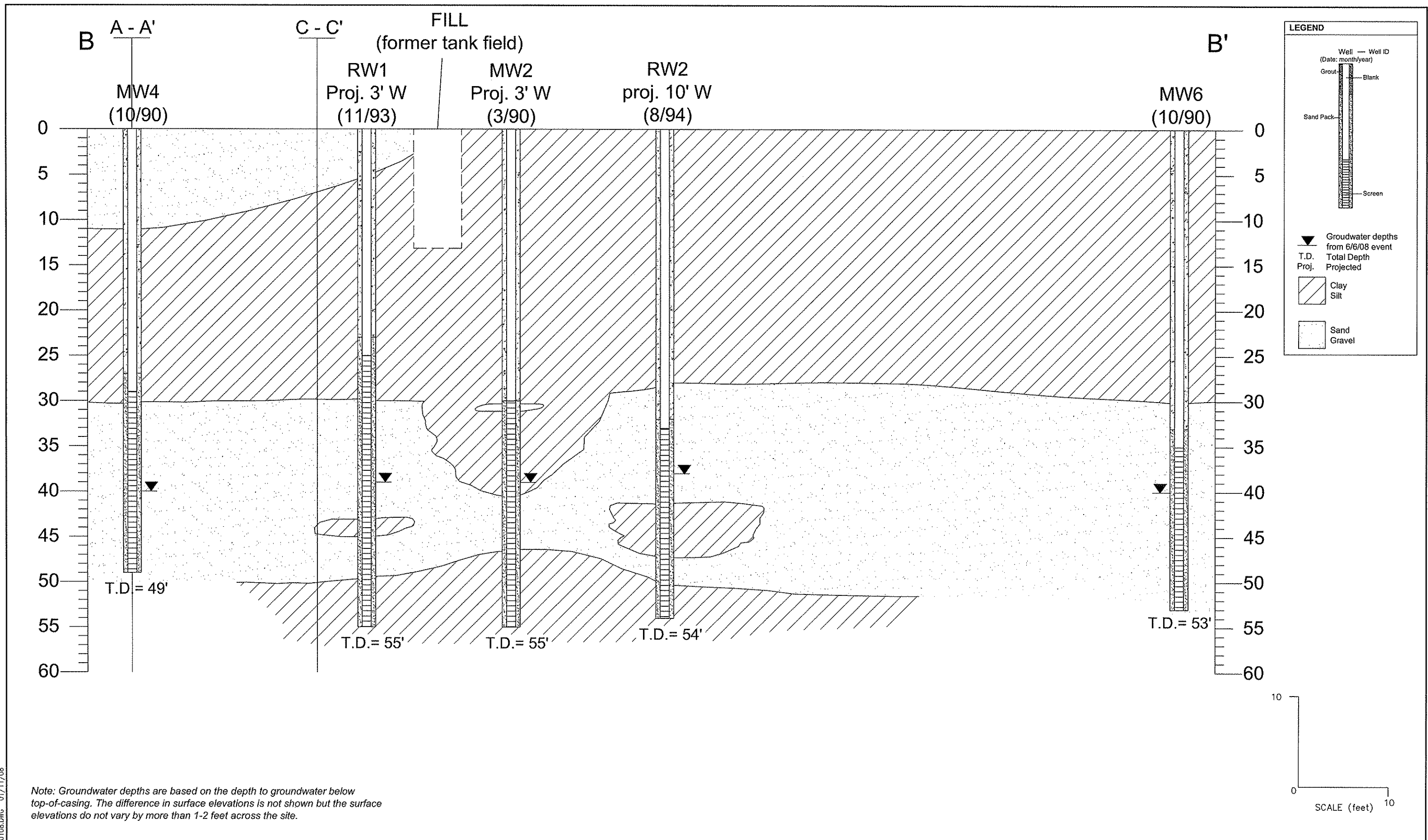


CROSS SECTION A-A'
FORMER MOBIL STATION 04H6J
1024 MAIN STREET
PLEASANTON, CALIFORNIA

FIGURE:

4

FILENAME: SECTIONS0108.DWG 01/11/08



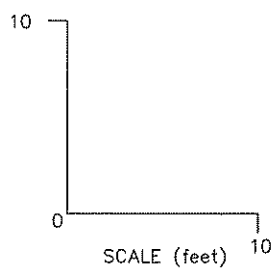
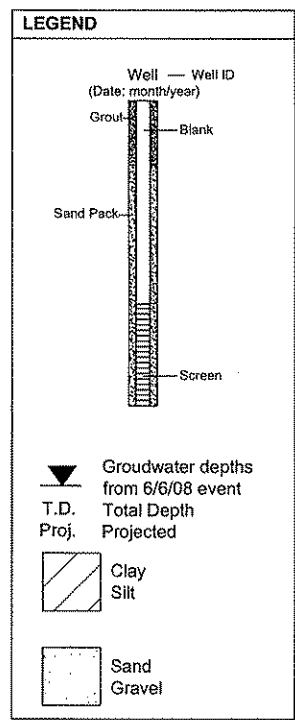
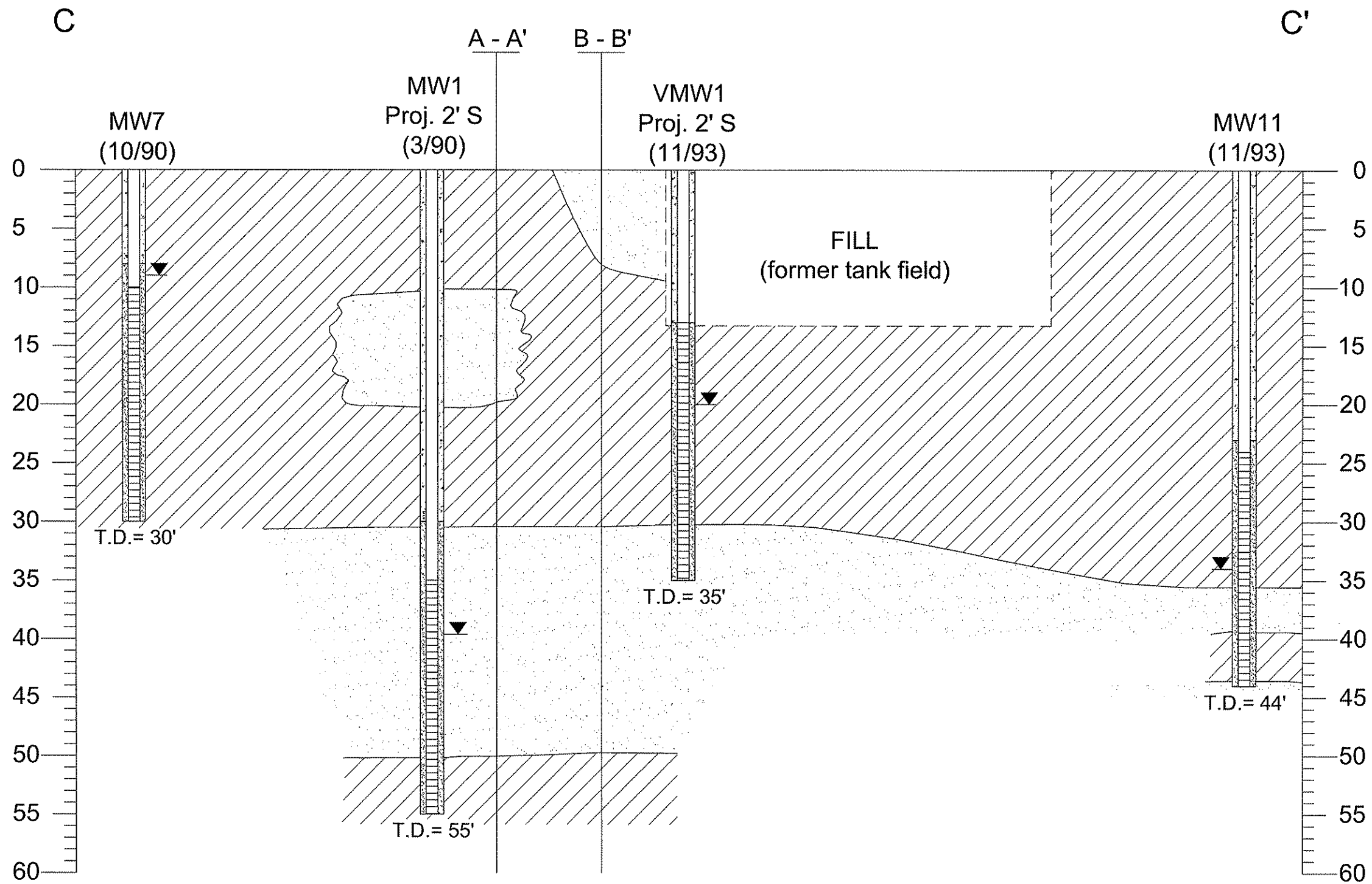
Note: Groundwater depths are based on the depth to groundwater below top-of-casing. The difference in surface elevations is not shown but the surface elevations do not vary by more than 1-2 feet across the site.



CROSS SECTION B-B'
FORMER MOBIL STATION 04H6J
1024 MAIN STREET
PLEASANTON, CALIFORNIA

FIGURE:
5

FILENAME: SECTIONS0108.DWG 01/11/08



Note: Groundwater depths are based on the depth to groundwater below top-of-casing. The difference in surface elevations is not shown but the surface elevations do not vary by more than 1-2 feet across the site.

CROSS SECTION C-C'
 FORMER MOBIL STATION 04H6J
 1024 MAIN STREET
 PLEASANTON, CALIFORNIA

FIGURE:
6

