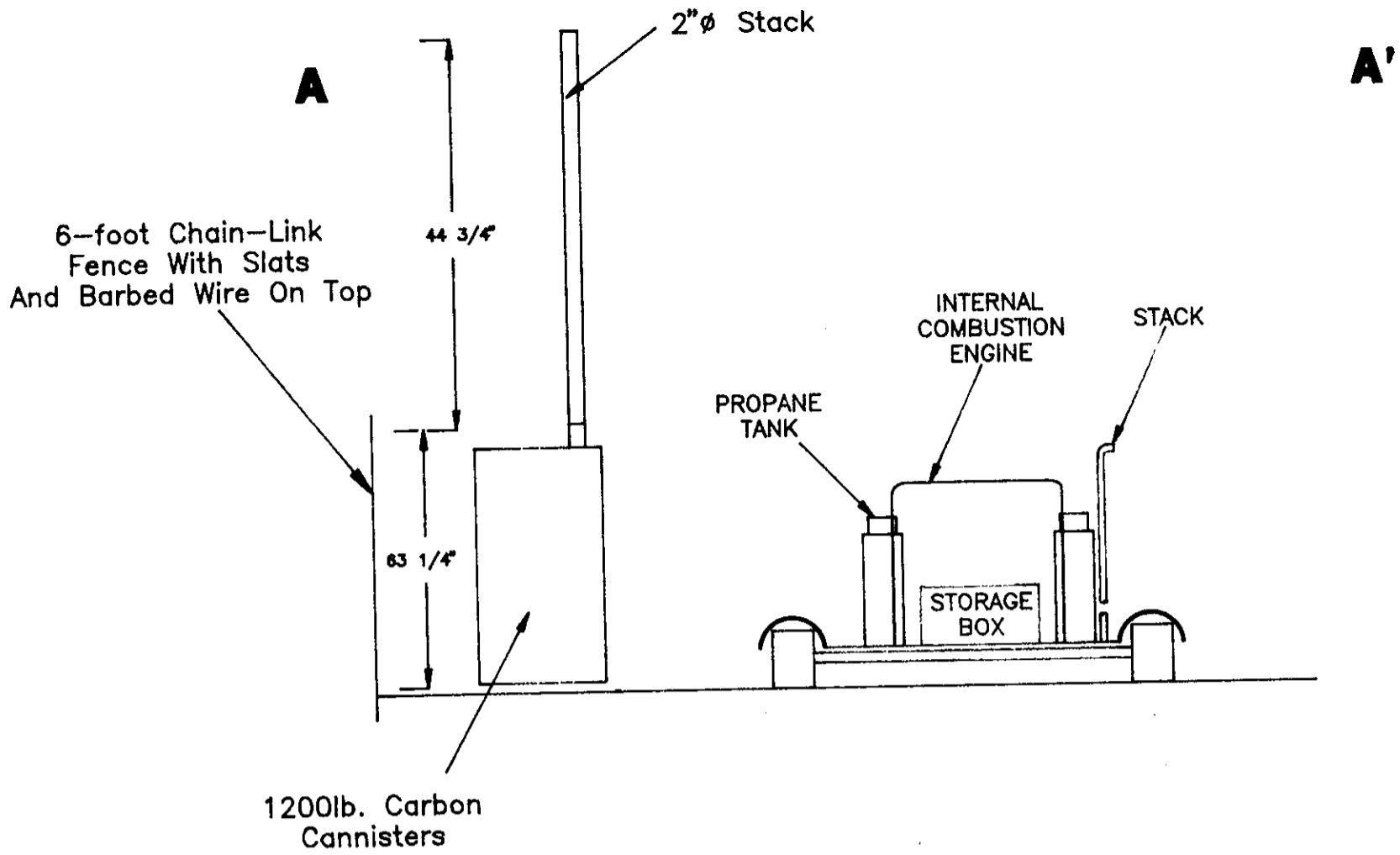


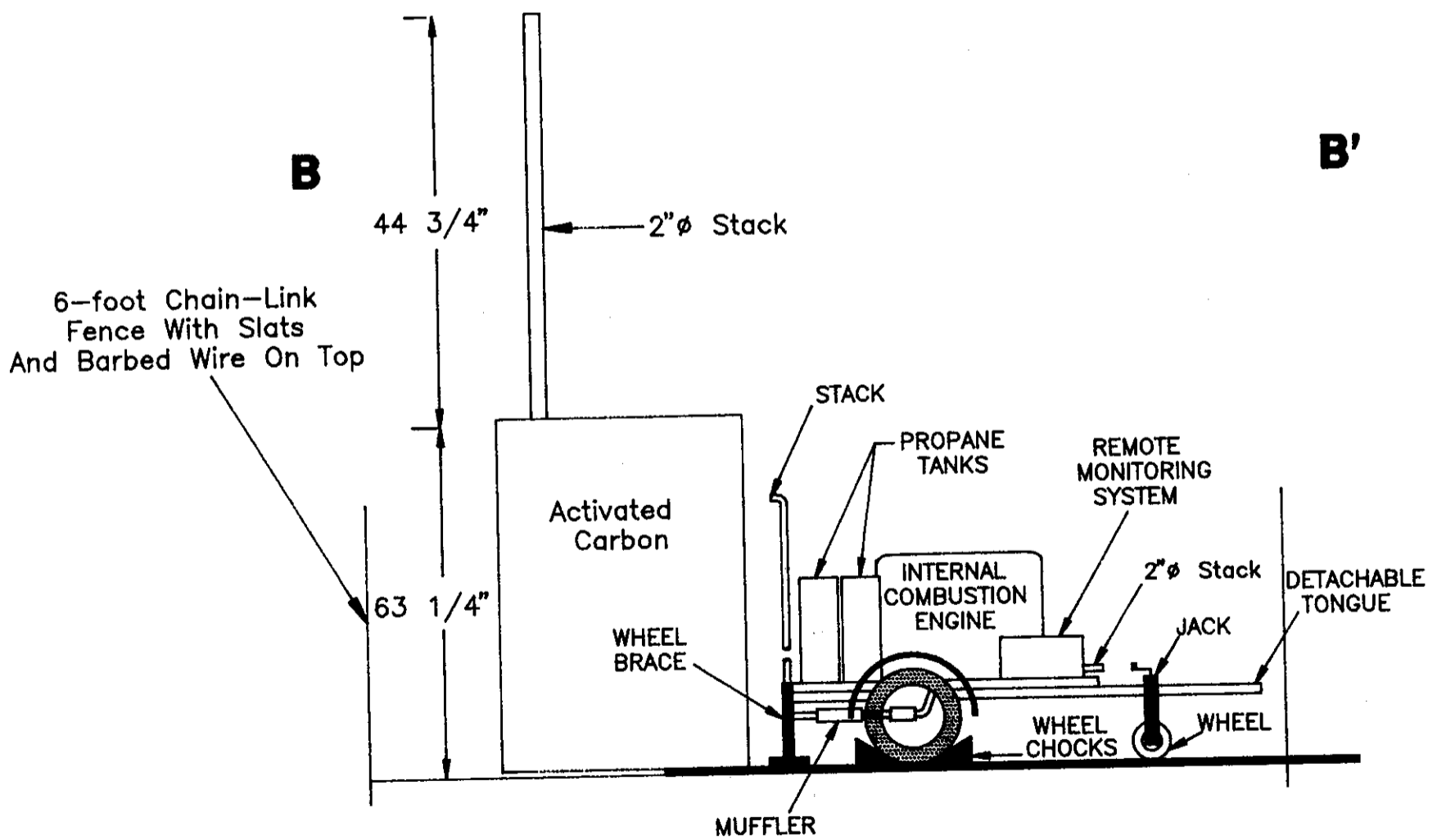
Note: Not Drawn To Scale

PLAN VIEW
REMEDICATION COMPOUND



Note: Not Drawn To Scale

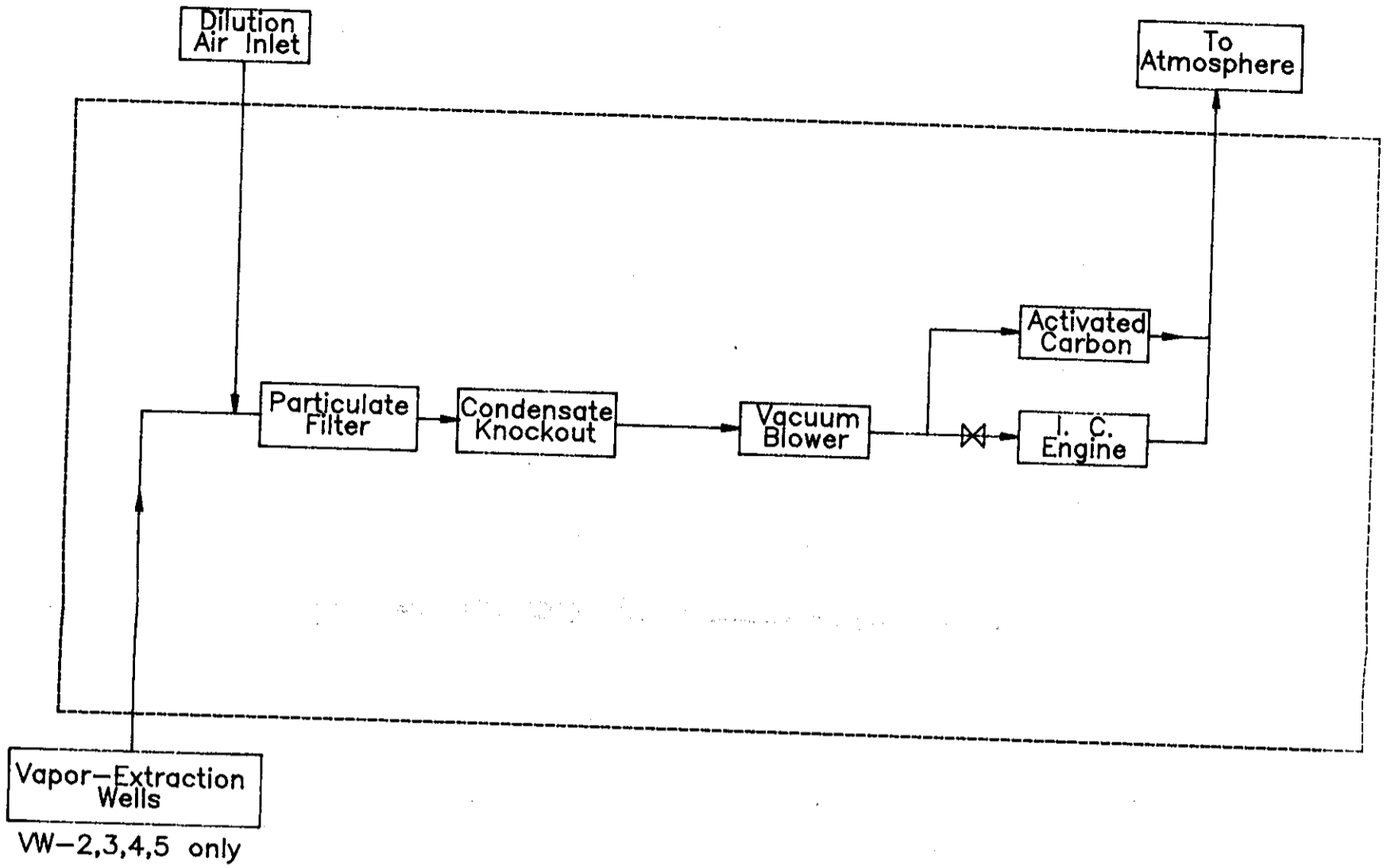
CROSS-SECTION A-A'



Note: Not Drawn To Scale

CROSS-SECTION B-B'

awn To Scale



PROCESS FLOW

ABLE
E

**PRELIMINARY
NOT FOR
CONSTRUCTION**

n To Scale

No.	Date	Revision	Dwn.	Chk.	App.
RESNA					
Scale: N/A			Drawn By: KN		
Date: 12/3/91			Job Number: 69013.08		
Site: ARCO Station 2152					
Title: Remediation Compound Layout				Plate Number: 4	