

ALAMEDA COUNTY
HEALTH CARE SERVICES

AGENCY

DAVID J. KEARS, Agency Director



January 9, 1997

STID 2958

ENVIRONMENTAL HEALTH SERVICES
ENVIRONMENTAL PROTECTION (LOP)
1131 Harbor Bay Parkway, Suite 250
Alameda, CA 94502-6577
(510) 567-6700
FAX (510) 337-9335

REMEDIAL ACTION COMPLETION CERTIFICATION

Mr. Dalton Reed
Utility Vault Company
P.O. Box 727
Pleasanton, CA 94566

Auburn Properties, Inc.
P.O. Box 588
Auburn, WA 98071

RE: UTILITY VAULT COMPANY, 3786 VALLEY AVENUE, PLEASANTON

Dear Mr. Reed et al:

This letter confirms the completion of a site investigation and remedial action for the underground storage tanks formerly located at the above-described location. Thank you for your cooperation throughout this investigation. Your willingness and promptness in responding to our inquiries concerning the former underground storage tank are greatly appreciated.

Based on information in the above-referenced file and with the provision that the information provided to this agency was accurate and representative of site conditions, no further action related to the underground tank release is required.

This notice is issued pursuant to a regulation contained in Section 2721(e) of Title 23 of the California Code of Regulations.

Please contact our office if you have any questions regarding this matter.

Sincerely,

Mee Ling Tung
Director, Environmental Health Services

enclosure

c: Gordon Coleman, Acting Chief, Env. Protection Division
Kevin Graves, RWQCB
Lori Casias, SWRCB (w/enclosure)
Bill Halvorsen, Pleasanton Fire Department (w/enclosure)
SOS/files

- SIGNED
COPY -

01-2073

CASE CLOSURE SUMMARY
Leaking Underground Fuel Storage Tank Program

I. AGENCY INFORMATION

Date: 11/26/96

Agency name: Alameda County-EPD Address: 1131 Harbor Bay Pkwy #250
City/State/Zip: Alameda, CA 94502 Phone: (510) 567-6700
Responsible staff person: Scott Seery Title: Sr. Haz. Materials Spec.

II. CASE INFORMATION

Site facility name: Utility Vault Company
Site facility address: 3786 Valley Ave., Pleasanton 94566
RB LUSTIS Case No: N/A Local Case No./LOP Case No.: 2958
URF filing date: 10/29/96 SWEEPS No: N/A

<u>Responsible Parties:</u>	<u>Addresses:</u>	<u>Phone Numbers:</u>
Auburn Properties, Inc.	P.O. Box 588 Auburn, WA 98071	
Dalton Reed Utility Vault Co.	P.O. Box 727 Pleasanton, CA 94566	(510) 846-8183

<u>Tank No:</u>	<u>Size in gal.:</u>	<u>Contents:</u>	<u>Closed in-place or removed?:</u>	<u>Date:</u>
1	500	gasoline	removed	12/27/90
2	2000	"	"	"
3	12,000	diesel	"	02/09/93

III. RELEASE AND SITE CHARACTERIZATION INFORMATION

Cause and type of release: UNK
 Site characterization complete? NA
 Date approved by oversight agency:
 Monitoring Wells installed? NO Number: NA
 Proper screened interval? NA
 Highest GW depth below ground surface: UNK (presumed > 20')
 Lowest depth: UNK Flow direction: UNK
 Most sensitive current use: industrial
 Are drinking water wells affected? NO Aquifer name: Amador subbasin
 Is surface water affected? NO Nearest affected SW name: NA
 Off-site beneficial use impacts (addresses/locations): NA

RECEIVED
 JAN 08 1997

Leaking Underground Fuel Storage Tank Program

III. RELEASE AND SITE CHARACTERIZATION INFORMATION (Continued)

Report(s) on file? YES Where is report filed? Alameda County
 1131 Harbor Bay Pkwy
 Alameda CA 94502

Treatment and Disposal of Affected Material:

<u>Material</u>	<u>Amount</u> (include units)	<u>Action (Treatment of Disposal w/destination)</u>	<u>Date</u>
Tank	500 & 2000 gals.	<u>Disposal</u> - H & H Ship S.F., CA	12/27/90
	12,000 "	<u>Disposal</u> - Erickson Richmond, CA	02/09/93
Piping	UNK		
Free Product	NA		
Soil	~ 125 tons	<u>Treatment/recycle</u> - REMCO, Richmond, CA	1993
Groundwater Barrels	NA "		

Maximum Documented Contaminant Concentrations - - Before and After Cleanup

<u>Contaminant</u>	<u>Soil (ppm)</u>		<u>Water (ppb)</u>	
	<u>Before</u>	<u>After</u>	<u>Before</u>	<u>After</u>
TPH (Gas)	ND	NA	NA	NA
TPH (Diesel)	16,000	ND		
TPH (motor oil)	<1300	<10		
Benzene	ND	NA		
Toluene	"	"		
Xylene	"	"		
Ethylbenzene	"	"		
Oil & Grease	NA	"		
Heavy metals Pb (WET)	0.32mg/L			
Other	NA	NA		

Note: All TPH-D and TPH-mo results from 1993 closure of 12,000 gallon diesel UST. TPH-G result from 1990 closure of two gasoline USTs. BTEX results from both 1990 and 1993 closures. Pb (WET) result from 1990 closures.

Comments (Depth of Remediation, etc.):

Two gasoline USTs (500 and 2000 gallon) were removed from a shared excavation in December 1990. No detectable fuel HCs were identified in the soil samples analyzed. Extractable Pb concentration was 0.32 mg/l, well below the CA hazardous waste level of 5.0 mg/l for extractable Pb.

A single 12,000 gallon diesel UST was removed from a separate location during February 1993. Initial results identified up to 16,000 TPH-D in sample PF-3, collected at 8' BG, with no detectable BTEX. Limited overexcavation followed. Subsequent sample was ND for TPH-D and TPH-mo.

Leaking Underground Fuel Storage Tank Program

Excavated soil from the diesel UST closure project was reportedly transported to REMCO (Richmond, CA) for incorporation into road base.

IV. CLOSURE

Does completed corrective action protect existing beneficial uses per the Regional Board Basin Plan? Undetermined

Does completed corrective action protect potential beneficial uses per the Regional Board Basin Plan? Undetermined

Does corrective action protect public health for current land use? YES
Site management requirements: NA

Should corrective action be reviewed if land use changes? YES

Monitoring wells Decommissioned: NA

Number Decommissioned: NA

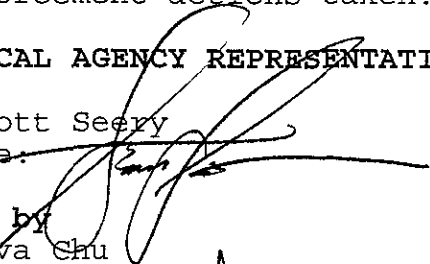
Number Retained: NA

List enforcement actions taken: NONE Actions rescinded: NA

V. LOCAL AGENCY REPRESENTATIVE DATA

Name: Scott Seery

Title: Sr. Haz Mat Specialist

Signature: 

Date: 11/26/96

Reviewed by

Name: Eva Chu

Title: Haz Mat Specialist

Signature: 

Date: 10/31/96

Name: Tom Peacock

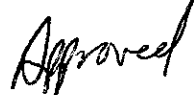
Title: Supervising Haz Mat Specialist

Signature: 

Date: 11-25-96

VI. RWQCB NOTIFICATION

Date Submitted to RB: 11/26/96

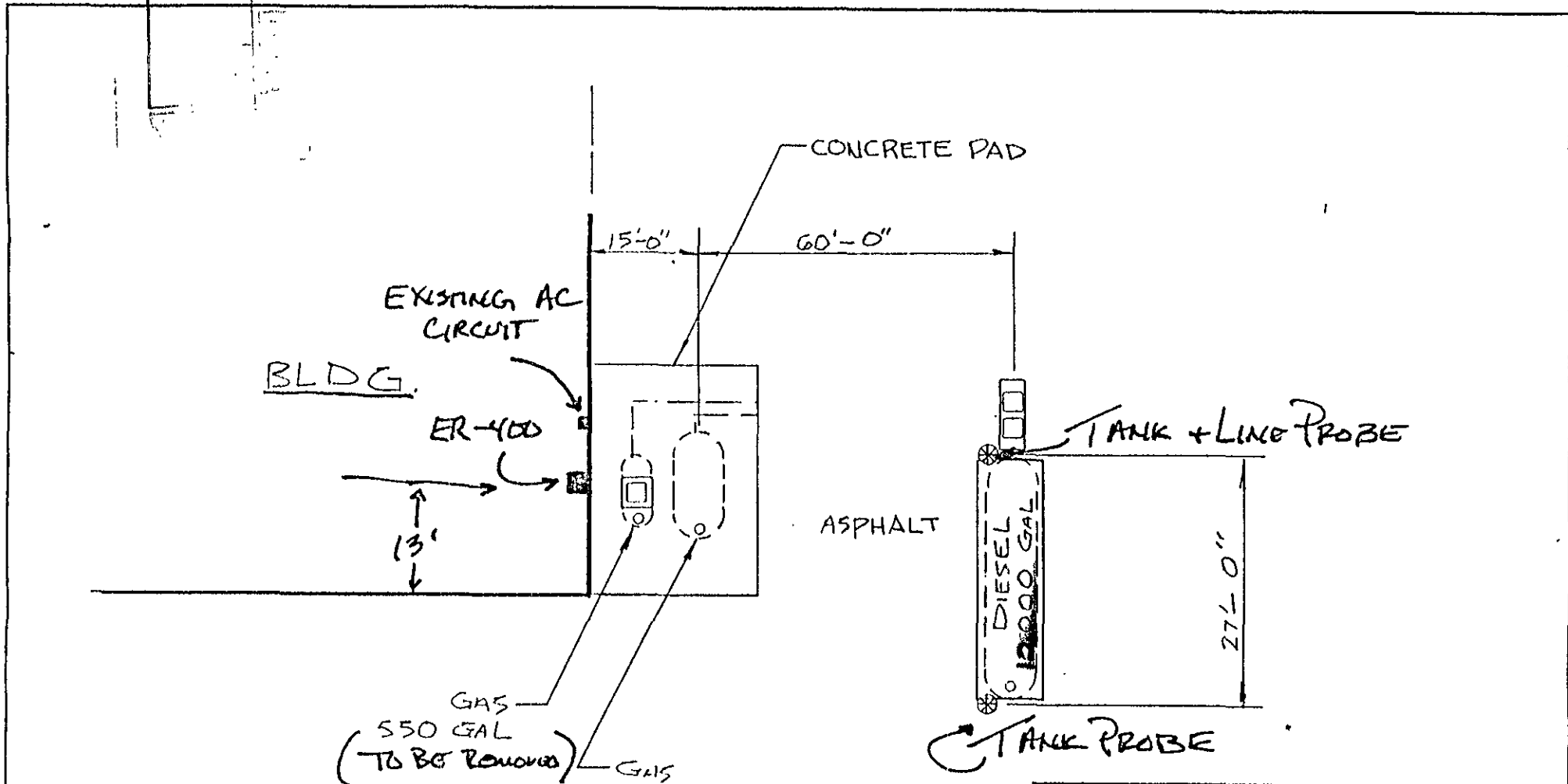
RB Response: 

RWQCB Staff Name: Kevin Graves

Title: San. Eng. Assoc. Date:

VII. ADDITIONAL COMMENTS, DATA, ETC.  1/6/97

Review of the data from both UST closure events reveals limited, if any, impact from historic UST releases. The diesel tank area was shown to have noteworthy contamination in but one of the initial samples. Limited overexcavation removed this "hot spot" to below laboratory detection limits. In the absence of BTEX components, no additional assessment work or remediation is warranted.

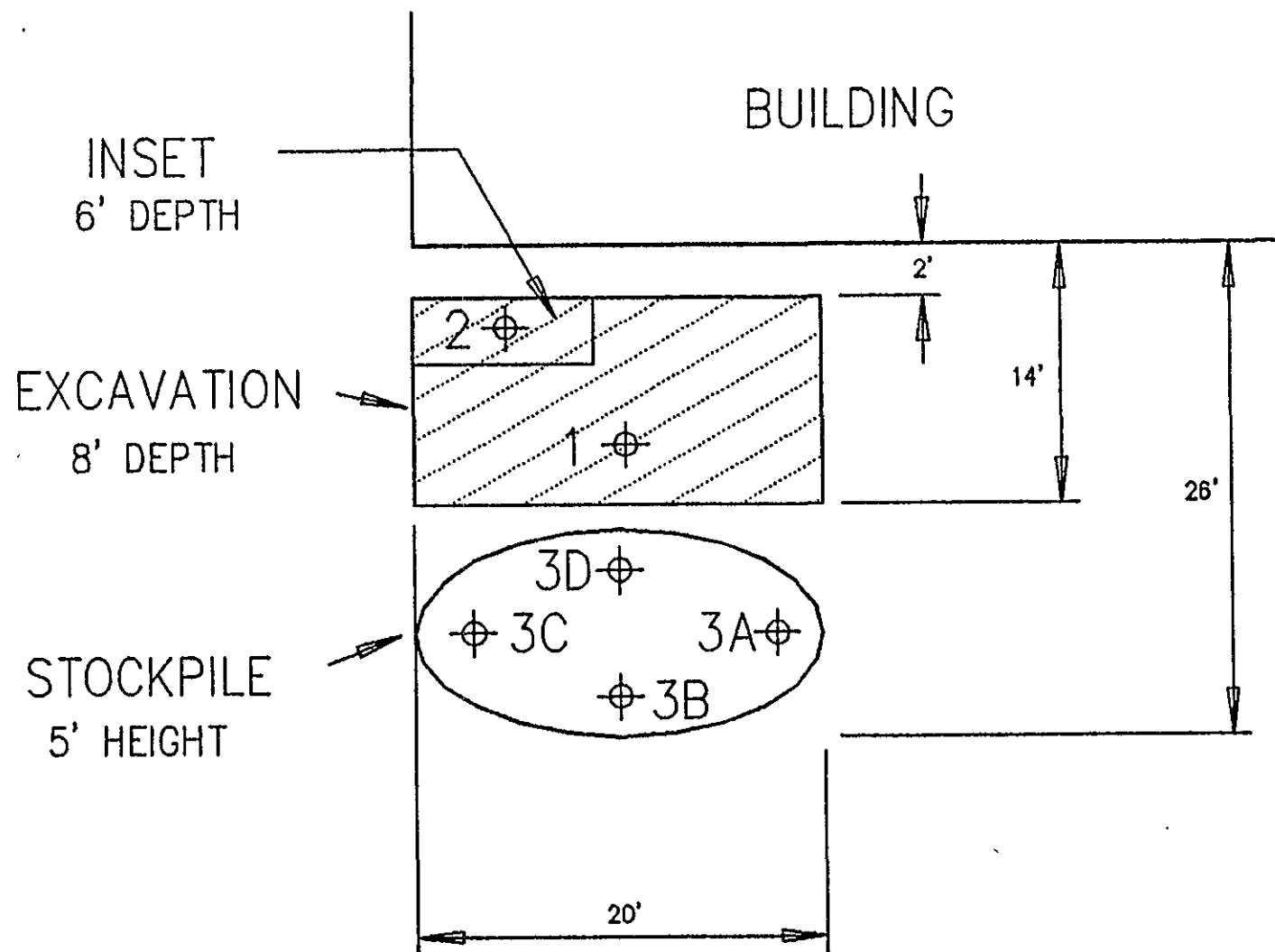


LEGEND

TRENCHING	~~~~~
UNDERGROUND LINES	-----
UNDERGROUND TANK	⊖
PROBE	⊕

REGULATORY APPROVAL: _____
 DEPARTMENT: _____

SCALE: NONE	APPROVED BY	DRAWN BY
DATE		REVISED
UTILITY VAULT PAUL FUJII		
		DRAWING NUMBER



NOTES:

- ▷ Sample 1 was taken at a depth of 13 feet.
- ▷ Sample 2 was taken at a depth of 9 feet.
- ▷ Samples 3A through 3D were taken within 1 foot of the bottom of the stockpile and composited in the laboratory.

UTILITY VAULT CO. (SCOTT)
3786 VALLEY AVENUE
PLEASANTON, CALIFORNIA

Sample Log#: 2152
DATE: 12/27/1990

WEST Western Environmental
Science & Technology
1046 Olive Drive #3, Davis, CA 95616
Phone: (916) 753-9500

Drawn by: TGT

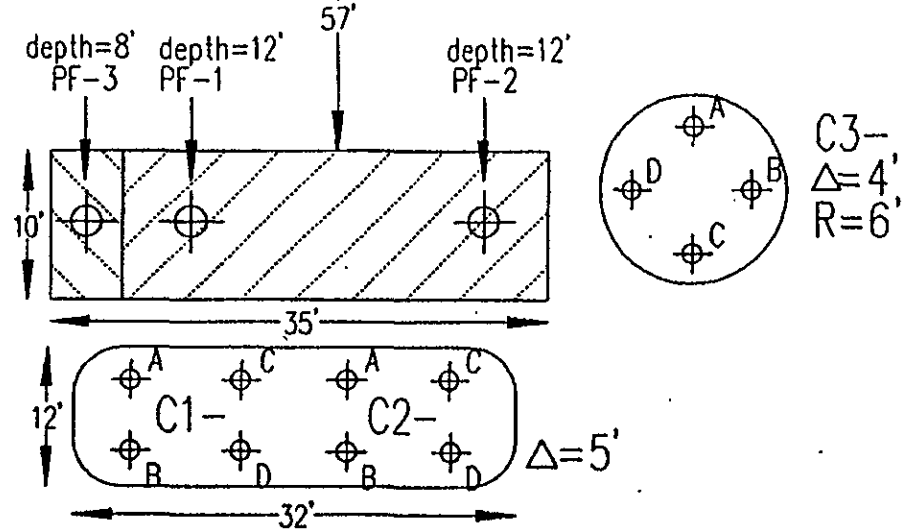
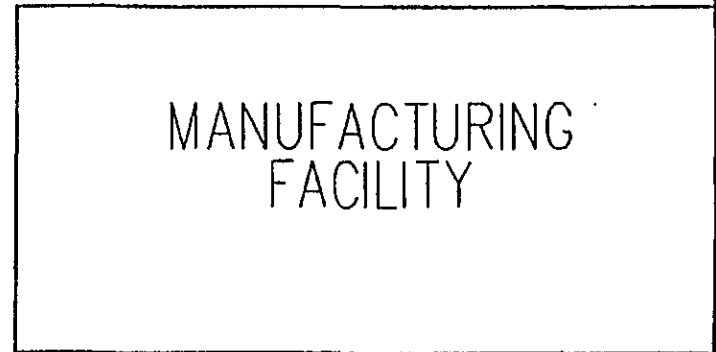
1990 WEST
Closures

VALLEY AVENUE



NOTES:

- A** Samples taken in 2 x 6" brass sleeves with 0 headspace, covered with PTFE, ends capped with Caplugs and placed on ice for transport.
- B** All composite samples are composited in the laboratory.



UTILITY VAULT COMPANY
 3786 VALLEY AVENUE
 PLEASANTON, CALIFORNIA
 SCOTT COMPANY

Sample Log#: 5837
 DATE: 2/9/1993
 SCALE NTS

WEST Western Environmental
 Science & Technology
 45133 County Road 32B, Davis, CA 95616
 Phone: (916) 753-9500 Drawn by: Dan Lipshutz

1973 US1 closure