

**AGENDA**

**FORMER MRCP SITE, EMERYVILLE, CALIFORNIA**

**August 5, 1991**

**In Attendance:**

1. Jim Wilson, PES Environmental, Inc.
2. Catherine Johnson, Esq., Pettit & Martin
- 3.
- 4.
- 5.
- 6.

**I. INTRODUCTION**

- A. PURPOSE
- B. OVERVIEW

**II. SITE LOCATION/DESCRIPTION**

**III. SITE USE HISTORY**

**IV. PREVIOUS WORK**

- A. INVESTIGATIONS
- B. REMEDIATION SYSTEMS
  1. SOIL VAPOR EXTRACTION AND TREATMENT
  2. GROUNDWATER EXTRACTION AND TREATMENT

**V. SITE CONDITIONS**

- A. SOIL (VADOSE ZONE) CONDITIONS
- B. GROUNDWATER CONDITIONS

**VI. RECOMMENDATIONS**

- A. SOIL SAMPLING
- B. GROUNDWATER SAMPLING
- C. REPORTING AND REQUEST FOR CLOSURE, IF APPLICABLE

**Table 1. Summary of Analytical Results From Soil Samples  
MRCP Realty  
Emmeryville, California**

Concentrations expressed in milligrams per kilogram or parts per million (ppm)

Soil Boring	Depth (ft bgs.)	Sampled By	Sample Date	TPH as Gasoline	TPH as Diesel	Oil and Grease	Benzene	Toluene	Ethyl- Benzene	Total Xylenes	4-Methyl-2- Pentanone	Vinyl Chloride	Trans 1,2- Dichloroethylene	1,3-Dichloro- benzene	Zinc	Lead	Copper	
B-1		L&W Environmental	Jul-89	<10	12	845	NR	NR	NR	NR	NR	<0.030	<0.030	NR	94	81	28	
	5.5			<10	<10	<50	NR	NR	NR	NR	NR	NR	<0.030	<0.030	NR	5.4	3	4
	10.5			<10	63	1800	NR	NR	NR	NR	NR	NR	<0.030	<0.030	NR	6040	180	153
	18.0			<10	<10	80	NR	NR	NR	NR	NR	NR	<0.030	<0.030	NR	108	77	23
	20.5			<10	<10	95	NR	NR	NR	NR	NR	NR	<0.030	<0.030	NR	27	8	13
	25.5			<10	<10	<50	NR	NR	NR	NR	NR	NR	<0.030	<0.030	NR	15	4.5	7.4
B-3		LAW Environmental	Aug-89	<10	30	1845	NR	NR	NR	NR	NR	NR	NR	NR	NR	NR	NR	
	5.0			<10	20	85	NR	NR	NR	NR	NR	NR	NR	NR	NR	NR	NR	
	12.0			120	280	025	NR	NR	NR	NR	NR	NR	NR	NR	NR	NR	NR	
	15.0			<10	<10	<20	NR	NR	NR	NR	NR	NR	NR	NR	NR	NR	NR	NR
	20.0			<10	<10	20	NR	NR	NR	NR	NR	NR	NR	NR	NR	NR	NR	NR
MW-8 (1)		SCS Engineers	Jan-90	<10	<10	2000	<0.010	<0.010	<0.010	<0.010	<0.030	<0.030	<0.010	<0.010	75	<12	18	
	5.0			<10	<10	20000	<0.100	<0.100	<0.100	<0.100	8.3	<0.030	<0.010	<0.100	120	24	41	

Notes:

NR: Not reported

< : Compound not detected at indicated detection limit.

TABLE 2.

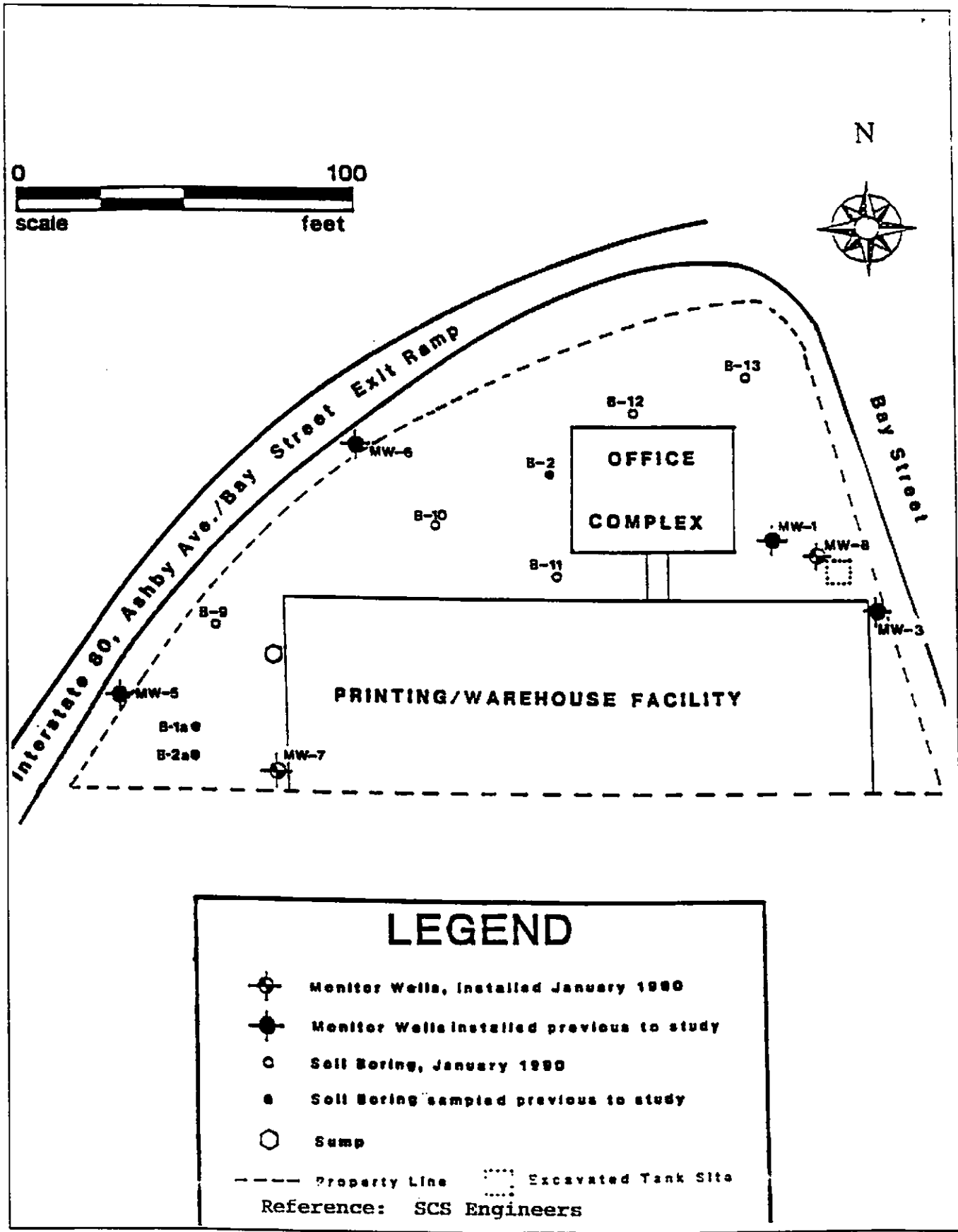
SUMMARY OF GROUNDWATER CONDITIONS  
MRCP REALTY, Emeryville, CA

Compound Name	Well Number						
	MW-1 Jul-89	MW-1 Sep-89	MW-1 Jan-90	MW-3 Sep-89	MW-3 Jan-90	MW-8 Jan-90	MW-8 Dec-90
<u>Volatile Organics</u>							
4-Methyl-2-Pentanone	nr	<0.020	<0.020	<0.020	<0.020	150	47
Vinyl Chloride	<0.0003	<0.04	<0.03	<0.004	<0.03	nr	<0.150
Trans-1,2-Dichloroethene	<0.0003	<0.003	<0.003	<0.003	<0.005	nr	<0.025
Acetone	<0.020	<0.020	<0.020	<0.020	<0.020	nr	3.2
2-Butanone	<0.020	<0.020	<0.020	<0.020	<0.020	nr	10
4-Methyl-2-Pentanol	<0.020	nr	<0.020	nr	<0.020	nr	130
Benzene	<0.002	<0.002	<0.003	<0.002	<0.005	2.1	0.16
Toluene	<0.002	<0.002	<0.003	<0.002	<0.005	<0.025	<0.025
Ethylbenzene	<0.003	<0.003	<0.003	<0.003	<0.005	<0.025	<0.025
Xylene	<0.003	<0.003	<0.003	<0.003	<0.005	<0.025	<0.025
<u>Petroleum Hydrocarbons</u>							
Total Petroleum Hydrocarbons	nr	<0.5	0.5	<0.5	0.6	103	10.5
Oil and Grease	nr	<10	<10	<10	nr	na	na
<u>Metals</u>							
Zinc	0.18	na	0.18	na	na	na	na
Lead	0.063	na	0.063	na	na	na	na
Copper	0.04	na	0.04	na	na	na	na

na = not analyzed

nr = not reported

&lt;10 = not detected at reported detection limit



## LEGEND

- Monitor Wells, installed January 1990
- Monitor Wells installed previous to study
- Soil Boring, January 1990
- Soil Boring sampled previous to study
- Sump
- Property Line
- Excavated Tank Site

Reference: SCS Engineers

PLATE

**PES Environmental, Inc.**  
Engineering & Environmental Services

**SITE PLAN**  
Mike Roberts Color Production  
6707 Bay Street, Emeryville, California

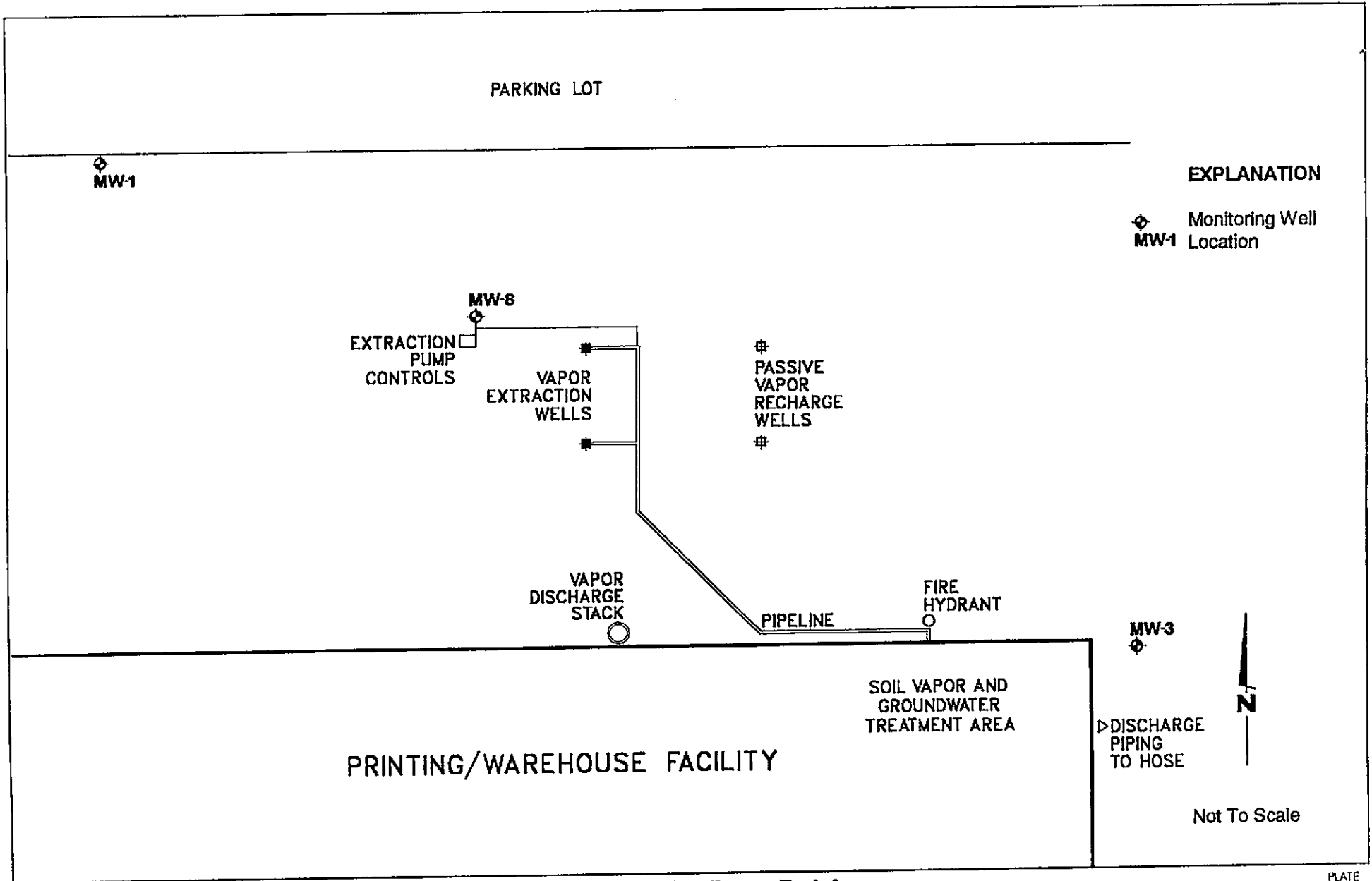
JOB NUMBER  
MP001B

REVIEWED BY  
June 12, 1991

DATE

REVISED DATE

REVISED DATE



PLATE



**PES Environmental, Inc.**  
Engineering & Environmental Services

**Site Plan, Former Tank Area**  
Mike Roberts Color Production  
6707 Bay Street  
Emeryville, California

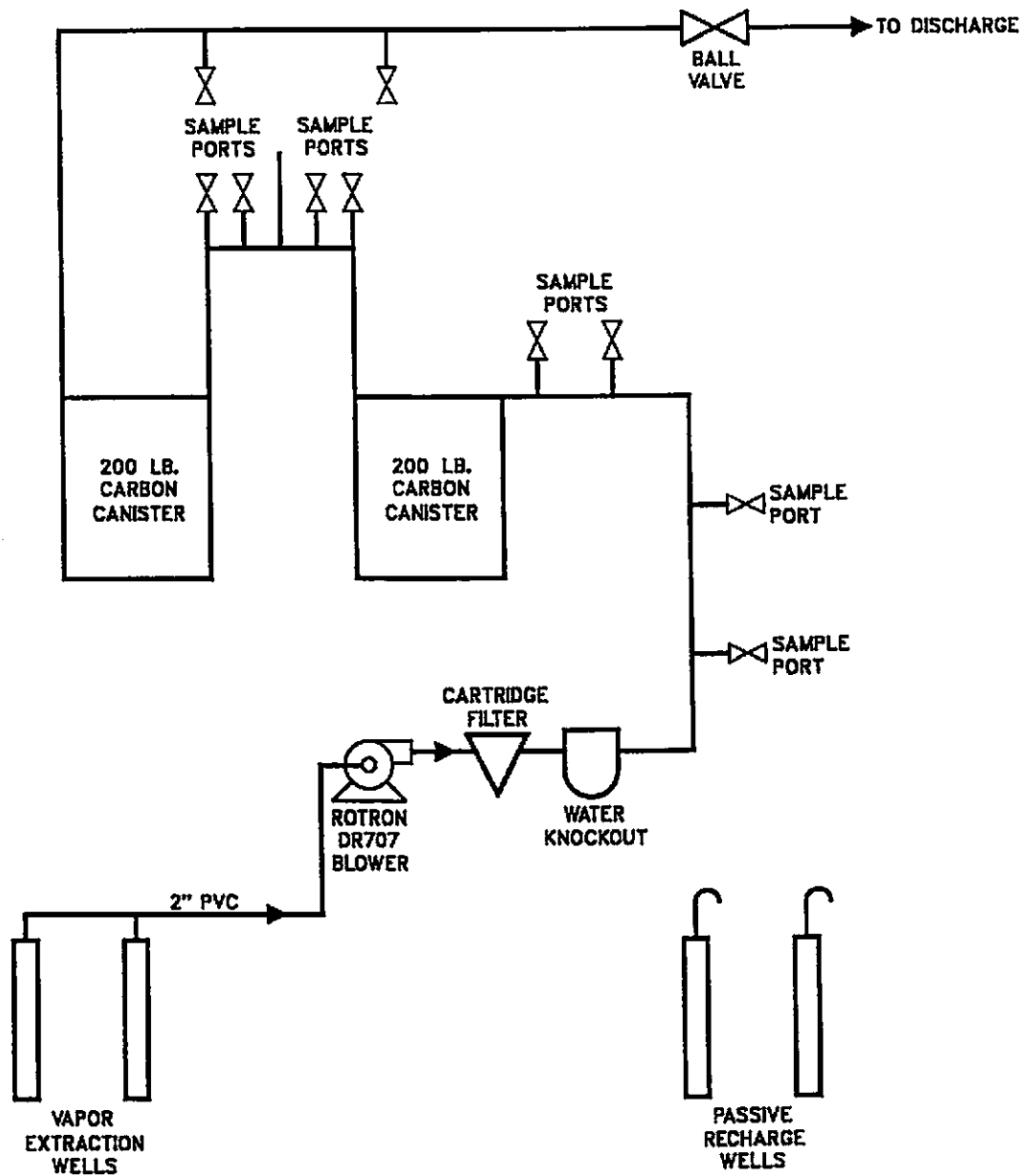
JOB NUMBER  
MP001B

REVIEWED BY

DATE  
8/91

REVISED DATE

REVISED DATE



NOT TO SCALE



**PES Environmental, Inc.**  
Engineering & Environmental Services

**Schematic Diagram of Soil Vapor Extraction  
and Treatment System**  
MRCP Realty Co.  
Emeryville, California

FIGURE

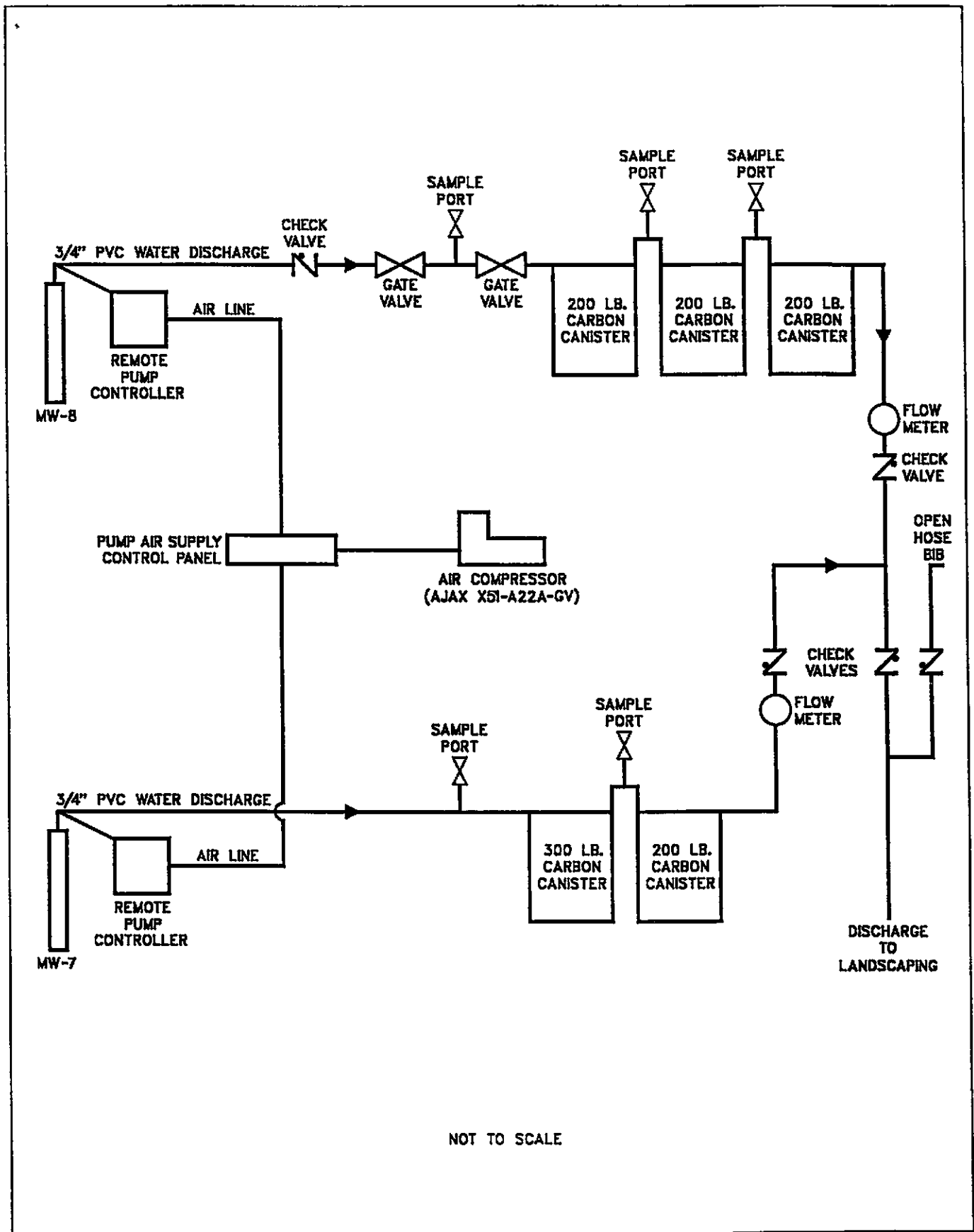
JOB NUMBER  
MP001B

REVIEWED BY

DATE  
6/91

REVISED DATE

REVISED DATE



**PES Environmental, Inc.**  
Engineering & Environmental Services

**Schematic Diagram of Groundwater  
Extraction and Treatment System**  
MRCP Realty Co.  
Emeryville, California

FIGURE

JOB NUMBER  
MP001B

REVIEWED BY

DATE  
6/91

REVISED DATE

REVISED DATE

**Table 1. Summary of Analytical Results From Soil Samples**  
**MRCP Realty**  
**Emmeryville, California**

Concentrations expressed in milligrams per kilogram or parts per million (ppm)

Soil Boring	Depth (ft bgs.)	Sampled By	Sample Date	TPH as Gasoline	TPH as Diesel	Oil and Grease	Benzene	Toluene	Ethyl-Benzene	Total Xylenes	4-Methyl-2-Pentanone	Vinyl Chloride	Trans 1,2-Dichloroethylene	1,3-Dichloro-benzene	Zinc	Lead	Copper		
B-1		L&W Environmental	Jul-89	<10	12	845	NR	NR	NR	NR	NR	<0.030	<0.030	NR	94	3	28		
	5.5			<10	<10	<50	NR	NR	NR	NR	NR	NR	<0.030	<0.030	NR	5.4	3	4	
	10.5			<10	1600	NR	NR	NR	NR	NR	NR	NR	<0.030	<0.030	NR	108	8	153	
	16.0			<10	<10	80	NR	NR	NR	NR	NR	NR	<0.030	<0.030	NR	27	8	23	
	20.5			<10	<10	95	NR	NR	NR	NR	NR	NR	<0.030	<0.030	NR	15	4.5	13	
	25.5			<10	<10	<50	NR	NR	NR	NR	NR	NR	<0.030	<0.030	NR	15	4.5	7.4	
30.5																			
B-3		L&W Environmental	Aug-89	<10	30	95	NR	NR	NR	NR	NR	NR	NR	NR	NR	NR	NR	NR	
	5.0			<10	20	95	NR	NR	NR	NR	NR	NR	NR	NR	NR	NR	NR	NR	
	12.0			120	120	NR	NR	NR	NR	NR	NR	NR	NR	NR	NR	NR	NR	NR	
	20.0			<10	<10	<20	NR	NR	NR	NR	NR	NR	NR	NR	NR	NR	NR	NR	NR
	25.0			<10	<10	20	NR	NR	NR	NR	NR	NR	NR	NR	NR	NR	NR	NR	NR
MW-6 (1)		SCS Engineers	Jan-90	<10	<10	2000	<0.010	<0.010	<0.010	<0.010	<0.030	<0.030	<0.010	<0.010	75	<12	18		
	5.0			<10	<10	<0.100	<0.100	<0.100	<0.100	8.3	<0.030	<0.010	<0.100	<0.100	120	24	41		
10.0																			

Notes:

NR: Not reported

< : Compound not detected at indicated detection limit.