

## Detterman, Mark, Env. Health

---

**From:** Lee, Nathan [nlee@croworld.com]  
**Sent:** Monday, August 06, 2012 12:17 PM  
**To:** Detterman, Mark, Env. Health  
**Cc:** Espino Devine, Catalina; Bob Clark-Riddell  
**Subject:** Former Chevron Station 91851 451 Hegenberger, Oakland - Proposed Boring Locations  
**Attachments:** 91851 Proposed boring locations.pdf

**Importance:** High

**Categories:** Red Category

Mark,

Attached is a hand draw figure with draft proposed boring locations that we will be discussing in our conference call at 230 pm today. The drillers are currently scheduled to conduct the borings on August 16 and 17, 2012.

Thanks,

**Nathan Lee, P.G.**  
**Conestoga-Rovers & Associates (CRA)**

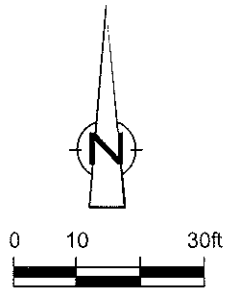
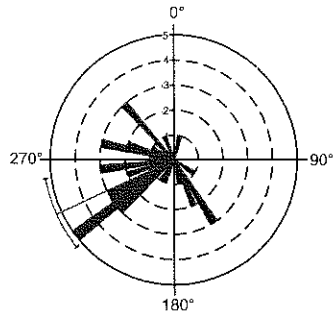
5900 Hollis Street, Suite A  
Emeryville, CA 94608

Phone: 510.420.3333

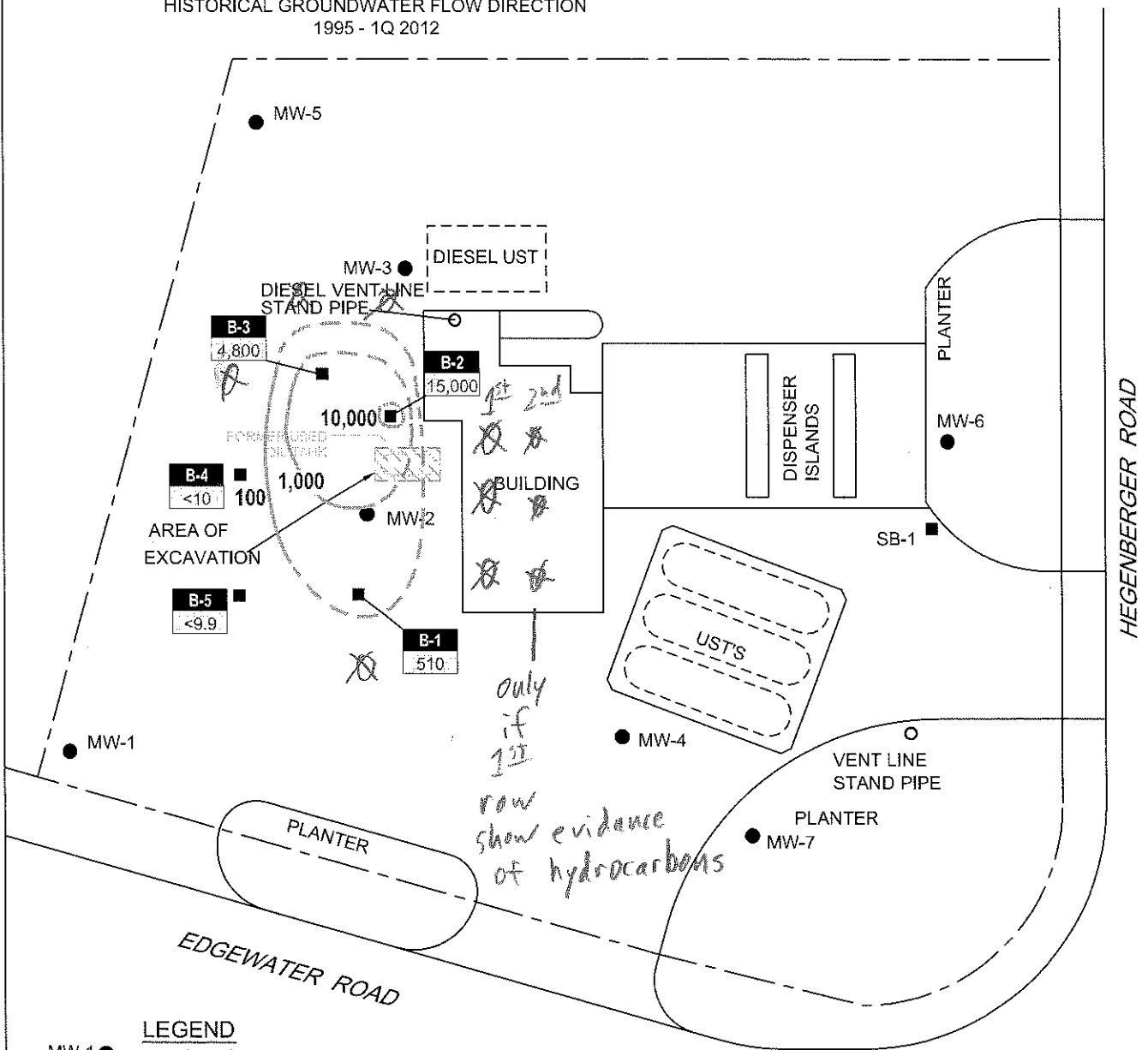
Fax: 510.420.9170

Cell: 510.385.2499

Email: [nlee@CRAworld.com](mailto:nlee@CRAworld.com)



HISTORICAL GROUNDWATER FLOW DIRECTION  
1995 - 1Q 2012



**LEGEND**

- MW-1 ● MONITORING WELL LOCATION
- SB-1 ■ SOIL BORING LOCATION
- BORING** SOIL BORING DESIGNATION
- TPHMO** TPHmo CONCENTRATION (mg/kg)
- 1,000 ——— TPHmo CONCENTRATION CONTOUR  
DASHED WHERE INFERRED

Figure 3  
**TPHmo SOIL CONCENTRATIONS @ 5 FBG  
 CHEVRON SERVICE STATION 91851  
 451 HEGENBERGER ROAD  
 Oakland, California**

