

**atlas  
hydraulic  
corporation**

RECEIVED

2:17 pm, Oct 02, 2008

Alameda County  
Environmental Health

December 16, 1986

San Leandro Fire Department  
835 East 14th Street  
San Leandro, CA

Attention: Inspector Soloman

RE: Tank Removal Closure Plan

Dear Gentlemen:

On December 22, 1986, Atlas Hydraulic Corporation will be removing three 6000 gallon underground fuel tanks and one 300 gallon underground waste oil tank at 14994 East 14th Street per the attached plot plan. The tanks will be steamcleaned on site and the rinseate will be removed by H & H Ship Service, P.O. Box 77363, China Basin, San Francisco, 94107. The cleaned tanks will then be packed with dry ice, removed and trucked to Telcoast Manufacturing, P.O. Box 1864, 1864 Turlock, CA 95381; (209) 634-9026. Telecoast will clean tanks completely and resell them as water tanks for cattle.

Please call me at 786-3393 if you have any questions regarding this work.

Sincerely yours,

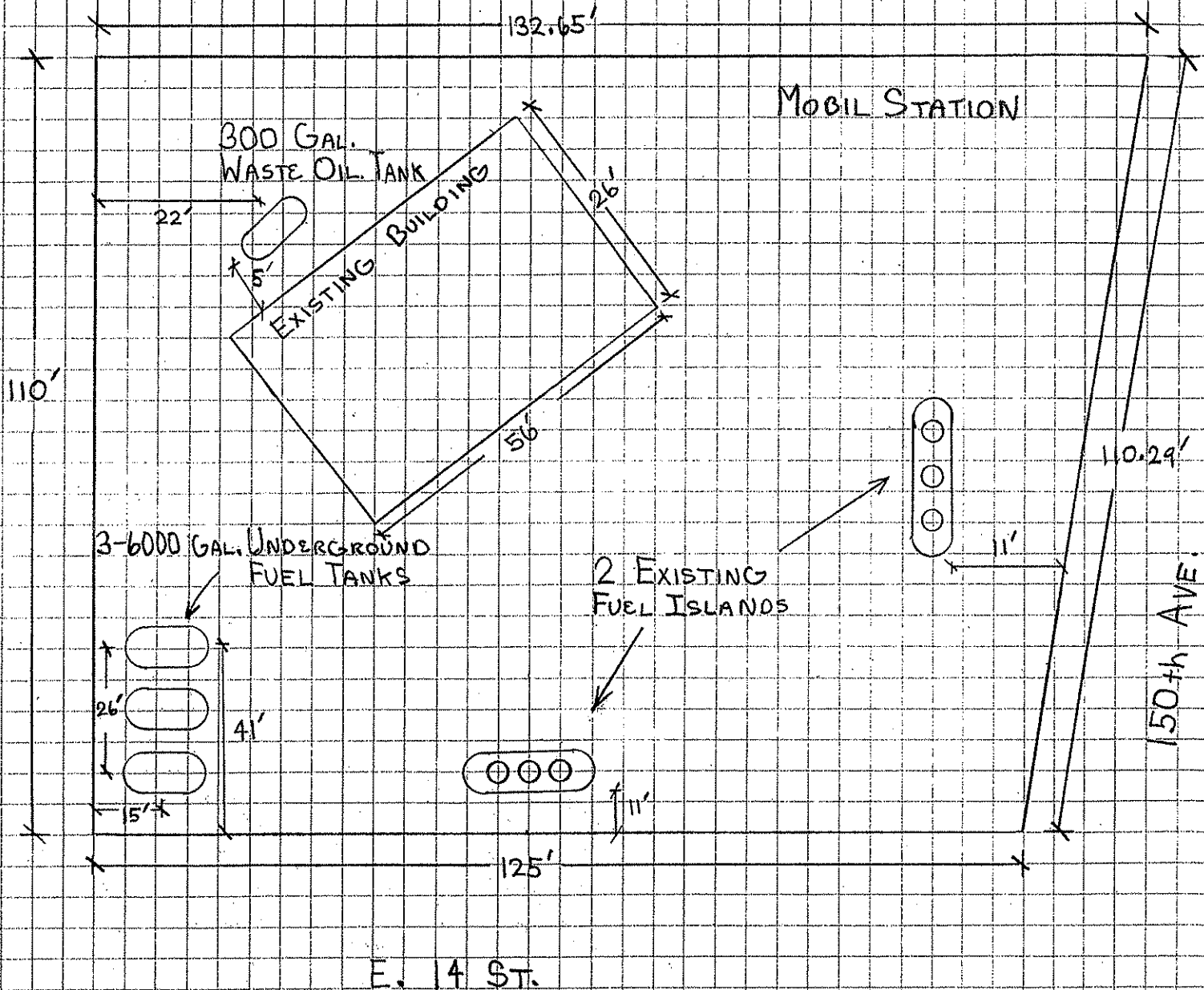


Douglas D. Barrows  
Project Manager

DDB/mch

ENCLOSURE

# PLOT PLAN 14994 E. 14<sup>th</sup> STREET



NOT TO SCALE N

12/16/86