

DRAFT

CONTAINER FREIGHT UST REMOVAL
EXCAVATION PIT SOIL AND WATER SAMPLE RESULTS

CONTAINER FREIGHT EXCAVATION PIT SOIL SAMPLE RESULTS										
Sample No.	Sample Location	EPA 3050A M/6010	EPA 3550/8015M			EPA 5030/8015M/8020				
		Lead (mg/kg)	TEPH-d (mg/kg)	TEPH-k (mg/kg)	TEPH-mo (mg/kg)	TPH-g (mg/kg)	Benzene (mg/kg)	Toluene (mg/kg)	Ethyl-benzene (mg/kg)	Total Xylene (mg/kg)
CF-N-END-1 ¹ <i>South</i>	North Wall of the Excavation	52 ²	ND (1.0)	ND (1.0)	ND (10)	47 ²	ND (0.05)	ND (0.05)	ND (0.05)	0.073
CF-S-END-1 ² <i>South</i>	South Wall of the Excavation	43 ²	ND (1.0)	ND (1.0)	ND (10)	6.4 ²	0.0064 ²	0.010	0.012 ²	0.043
¹ : Unknown hydrocarbons in the diesel range, concentration = 380 mg/kg; Unknown hydrocarbons in the motor oil range, concentration = 1100 mg/kg, reporting limit raised to 10x due to dilution. ² : Unknown hydrocarbons in the diesel range, concentration = 45 mg/kg; unknown hydrocarbon in the motor oil range, concentration = 160 mg/kg										
CONTAINER FREIGHT EXCAVATION PIT WATER SAMPLE RESULTS										
Sample No.	Sample Location	EPA 3010A M/6010	EPA 3510/8015M			EPA 5030/8015M/602/8020				
		Lead (mg/l) (STLC)	TEPH-d (mg/l)	TEPH-k (mg/l)	TEPH-mo (mg/l)	TPH-g (mg/l)	Benzene (mg/l)	Toluene (mg/l)	Ethyl-benzene (mg/l)	Total Xylene (mg/l)
CONTAINER-GW ³	Bottom of the Excavation	0.04	ND (0.05)	ND (0.05)	ND (0.5)	ND (0.05)	ND (0.0005)	ND (0.0005)	ND (0.0005)	ND (0.0005)
³ : Unknown hydrocarbons in the kerosene range, concentration = 0.63 mg/l.										

9-12-1995 1:43PM

FROM JONAS AND ASSOCIATES 510 933 5362

P. 19

DRAFT

CONTAINER FREIGHT UST REMOVAL
SOIL STOCKPILE SAMPLE RESULTS
TOTAL PETROLEUM HYDROCARBONS

Sample No.	Sample Location	EPA 418.1	EPA Method 5030/8015M/8020				
		TRPH (mg/kg)	TPH-g (mg/kg)	Benzene (mg/kg)	Toluene (mg/kg)	Ethyl- benzene (mg/kg)	Total Xylene (mg/kg)
CF-STOCKPILE-COMP	Composite from four locations from a depth of 1.5 feet below the surface of the stockpile.		ND (1.0)	ND (0.005)	ND (0.005)	ND (0.005)	ND (0.005)

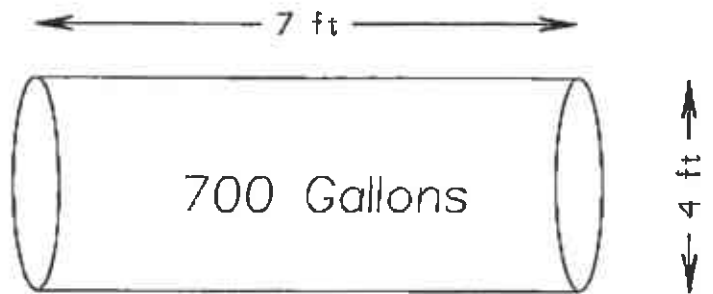
DRAFT

**CONTAINER FREIGHT UST REMOVAL
SOIL STOCKPILE SAMPLE RESULTS
TOTAL 8 RCRA METALS**

9-12-1995 1:44PM

FROM JONAS AND ASSOCIATES 510 933 5362

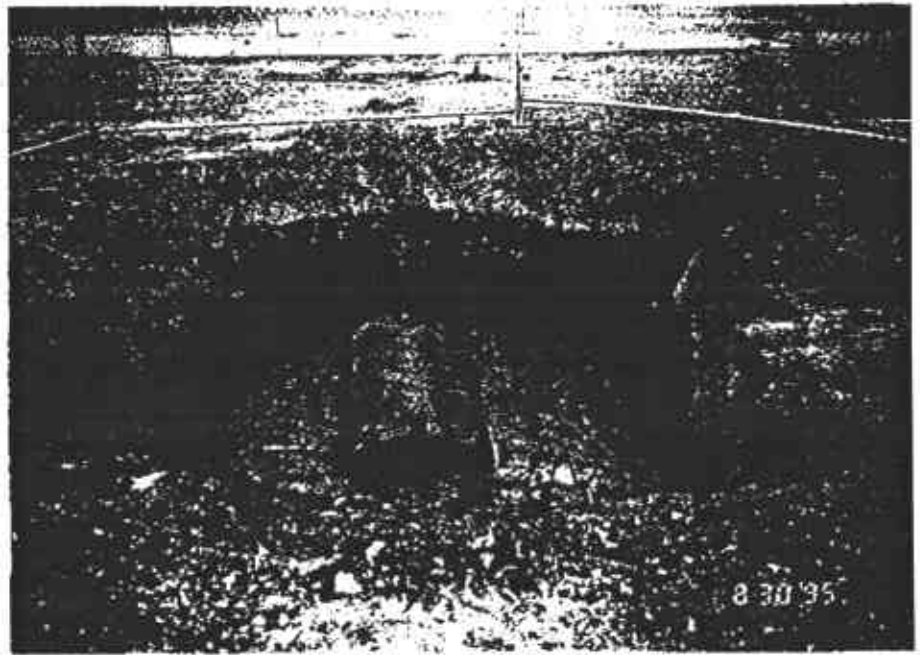
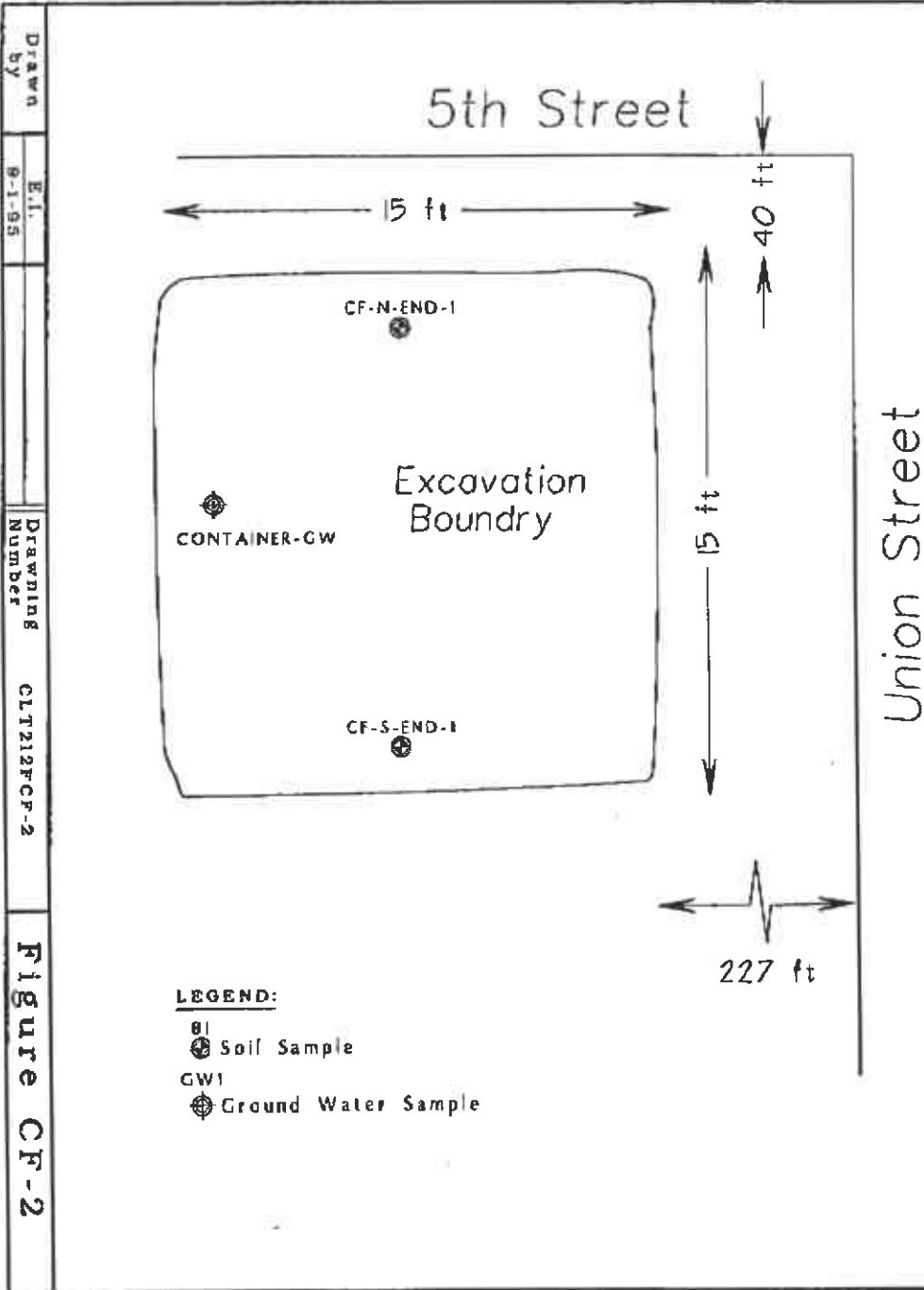
Analyte	SAMPLE NO: CF-STOCKPILE-COMP			
	TOTAL 8 RCRA METALS METHOD: 3050A M/6010/7471 mg/kg	TTL REGULATORY LEVELS mg/kg	TOTAL 8 RCRA METALS METHOD: WET 3005A M/6010/7470 mg/l	STLC REGULATORY LEVELS mg/l
Arsenic	ND (1.0)	500	ND (0.5)	5
Barium	84	10,000	5.4	100
Cadmium	0.6	100	ND (0.1)	1
Chromium	ND (1.0)	500	ND (0.5)	5
Lead	44	1000	2.9	5
Selenium	ND (2.0)	100	ND (0.2)	1
Silver	ND (1.0)	500	ND (0.5)	5
Mercury	0.27	20	ND (0.005)	0.2



UST Dimensions
 Former Container Freight
 Prepared for
 Department of Transportation
 District 4
 Prepared by
 JONAS & ASSOCIATES INC.

Drawn by	E.I.	Drawing Number	CLT212FCF-1	Figure CF-1
	9-1-95			

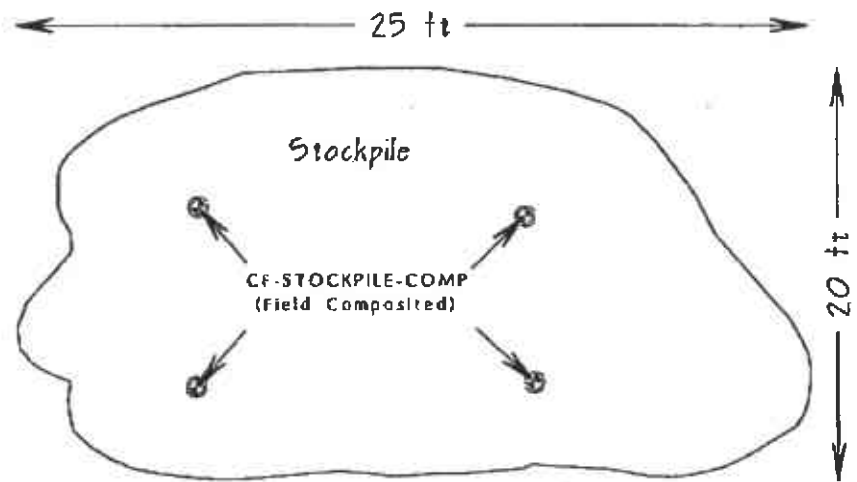
Date: 8-1-95	Figure CF-1	Drawing Number
Dimensions Appr.		CLT212FCF-1



UST Excavation Dimensions
Former Container Freight
 Prepared for
 Department of Transportation
 District 4
 Prepared by
JONAS & ASSOCIATES INC.

Drawn by E.L. 9-1-95 Drawing Number CLT212FCF-2 **Figure CF-2**

Date: 9-1-95	Figure CF-2	Drawing Number CLT212FCF-2
Dimensions Appr.		



LEGEND:

- B1
- ⊗ Soil Sample
- One Composite Sample Analyzed

Stockpile Dimensions
Former Container Freight
 Prepared for
 Department of Transportation
 District 4
 Prepared by
JONAS & ASSOCIATES INC.

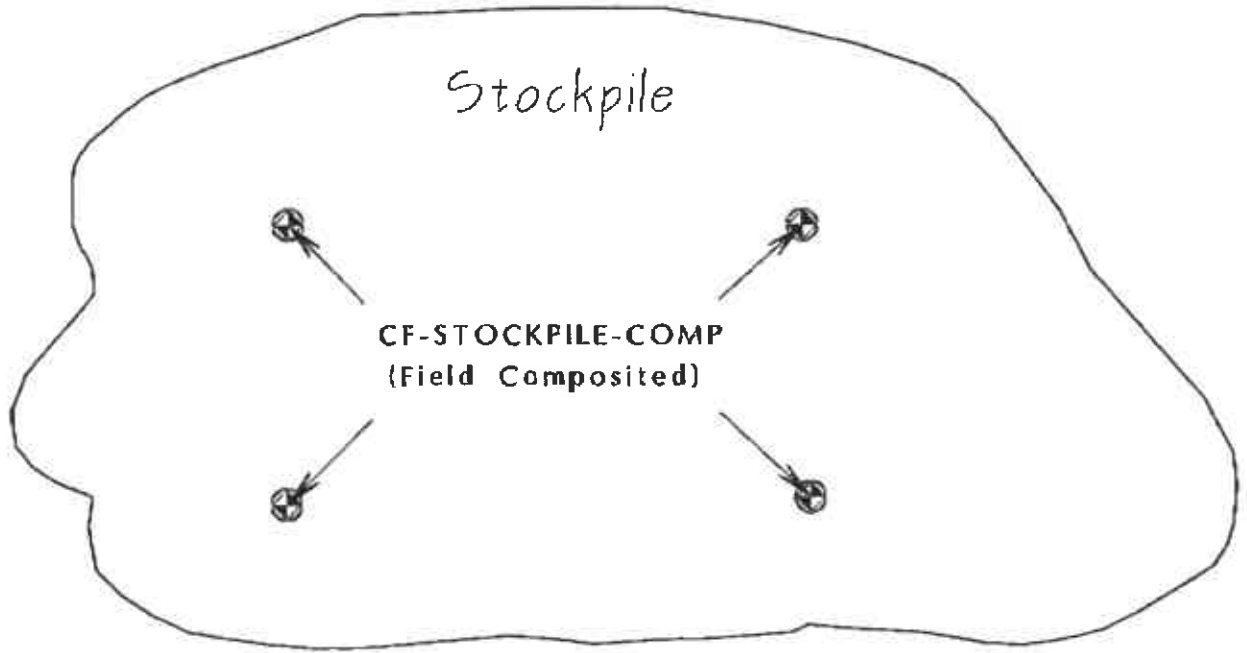
Drawn by: E.J. 8-1-95
 Drawing Number: CLT212PCF-3
Figure CF-3

Date: 9-1-95	Figure CF-3	Drawing Number CLT212PCF-3
Dimensions Appr.		

Drawn by E.L. 9-1-95
Drawing Number CLT212FCF-5
Figure CF-5

25 ft

20 ft



CF-Stockpile-Comp.
August 30, 1995 sampling results:

mg/kg		mg/kg	
TPH-Casoline	ND(1.0)	ACRA Metals	
Benzene	ND(0.001)	Arsenic	ND(1.0)
Toluene	ND(0.003)	Barium	80
Ethyl Benzene	ND(0.003)	Cadmium	0.6
Butyl Xylenes	ND(0.003)	Lead	ND(1.0)
TRPH	93	Selenium	44
		Silver	ND(1.0)
		Mercury	0.27

ND(L) = Not Detected above Laboratory Rel. in sample.

LEGEND:

- B1
- ⊗ Soil Sample
- One Composite Sample Analyzed

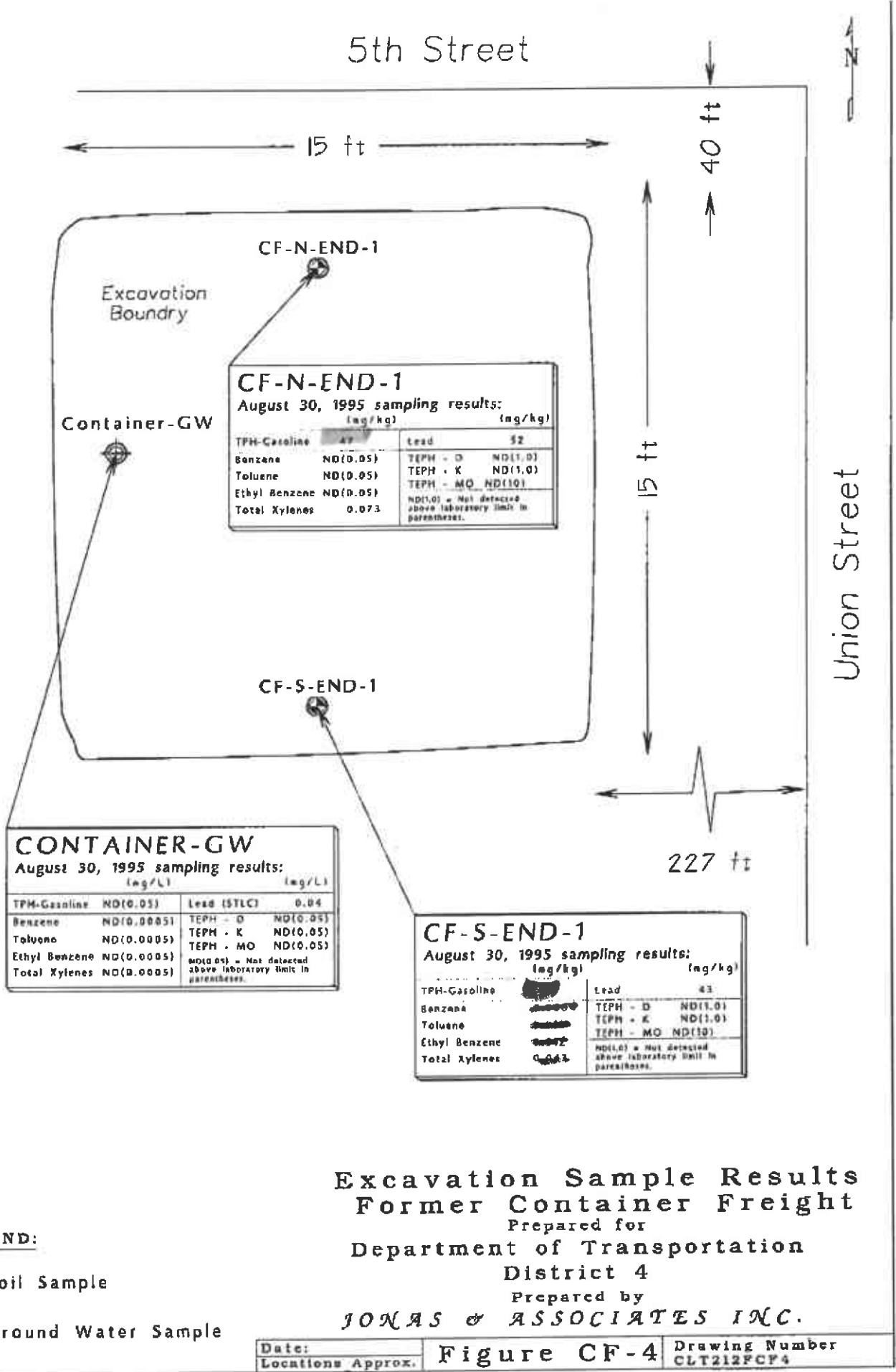
Stockpile Sample Results
Former Container Freight
Prepared for
Department of Transportation
District 4
Prepared by
JONAS & ASSOCIATES INC.

Date: 9-1-95	Figure CF-5	Drawing Number
Dimensions Appr.		CLT212FCF-5

Figure CF-4

Drawing Number CLT212FCF4

Drawn by E.I. 9/7/95



CHROMALAB, INC.

Environmental Services (SOB)

September 8, 1995

Submission #: 9508446

JONAS & ASSOCIATES, INC.

Atten: Romena Jonas
 Project: CONTAINER FREIGHT
 Received: August 30, 1995

Project#: CLT-212

re: 2 samples for Total Extractable Petroleum Hydrocarbons (TEPH) analysis.

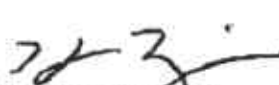
Method: EPA 3550/8015M
 Sampled: August 30, 1995

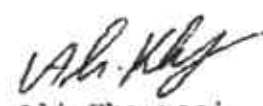
Matrix: SOIL Extracted: September 5, 1995
 Run: 8338-K Analyzed: September 7, 1995

Spl #	Sample ID	Kerosene (mg/Kg)	Diesel (mg/Kg)	Motor Oil (mg/Kg)
101335	CP-N-END-1'	N.D.	N.D.	N.D.
	For above sample:	UNKNOWN HYDROCARBONS IN THE DIESEL RANGE, CONC.=380mg/Kg. UNKNOWN HYDROCARBONS IN THE MOTOR OIL RANGE, CONC.=1100mg/Kg, REPORTING LIMIT RAISED 10X DUE TO DILUTION.		
101336	CP-S-END-1'	N.D.	N.D.	N.D.
	For above sample:	UNKNOWN HYDROCARBONS IN THE DIESEL RANGE, CONC.=45 mg/Kg, UNKNOWN HYDROCARBON IN THE MOTOR OIL RANGE, CONC.=180 mg/Kg.		

Reporting Limits
 Blank Result
 Blank Spike Result (%)

1.0	1.0	10
N.D.	N.D.	N.D.
--	97	--


 Kayvan Kimyai
 Chemist


 Ali Kharrazi
 Organic Manager

1220 Quarry Lane • Pleasanton, California 94566-4758
 (510) 484-1919 • Facsimile (510) 484-1096
 Federal ID #68-0140157

510-933-5362 09/02

#742 P01

FRX NO:510-484-1096

INC CHROMLAB

SEP-08-95 FRI 09:40

N. Q. 006 GARY 09-95 40

11: JUNE 8 & 5500

CHROMALAB, INC.

Environmental Services (SES)

September 5, 1995

Submission #: 9508446

JONAS & ASSOCIATES, INC.

Atten: Romona Jonas

Project: CONTAINER FREIGHT
Received: August 30, 1995

Project#: CLF-212

re: 2 samples for Lead analysis.
Method: EPA 3050A M/6010

Sampled: August 30, 1995

Matrix: SOIL

Extracted: August 31, 1995

Run: B280-D

Analyzed: August 31, 1995

Soil #	Sample ID	LEAD (mg/Kg)	REPORTING LIMIT (mg/Kg)	BLANK RESULT (mg/Kg)	BLANK SPIKE RESULT (%)
101335	CF-N-END-1'	52	1.0	N.D.	97
101336	CF-S-END-1'	43	1.0	N.D.	97


Doina Danet
Chemist


John S. Labash
Inorganic Supervisor

CHROMALAB, INC.

Environmental Services (SDB)

September 7, 1995

Submission #: 9508446

JONAS & ASSOCIATES, INC.

Atten: Romena Jonas

Project: CONTAINER FREIGHT
Received: August 30, 1995

Project#: CLT-212

re: 3 samples for Gasoline and BTEX analysis.
Method: EPA 5030/8015M/8020

Sampled: August 30, 1995

Matrix: SOIL

Run: 8290-1

Analyzed: August 31, 1995

Spl #	Sample ID	Gasoline (mg/Kg)	Benzene (ug/Kg)	Toluene (ug/Kg)	Ethyl Benzene (ug/Kg)	Total Xylenes (ug/Kg)
101329	CF-STOCKPILE-COMP	N.D.	N.D.	N.D.	N.D.	N.D.
101335	CF-N-END-1'	47	N.D.	N.D.	N.D.	73
	For above sample:	Detection limit: btex=50ug/kg & gasoline=10mg/kg				
101336	CF-S-END-1'	6.4	6.4	10	12	43
Reporting Limits		1.0	5.0	5.0	5.0	5.0
Blank Result		N.D.	N.D.	N.D.	N.D.	N.D.
Blank Spike Result (%)		97	102	101	100	100



Billy Thach
Chemist



Ali Khartazi
Organic Manager

1220 Quarry Lane • Pleasanton, California 94588-4756
(510) 484-1919 • Facsimile (510) 484-1096
Federal ID #68-0140157

CHROMALAB, INC.

Environmental Services (SDB)

September 5, 1995

Submission #: 9508446

JONAS & ASSOCIATES, INC.

Atten: Romena Jonas

Project: CONTAINER FREIGHT
Received: August 30, 1995

Project#: CLT-212

re: 1 sample for Total Recoverable Petroleum Hydrocarbons analysis.
Method: EPA 418.1

Sampled: August 30, 1995

Matrix: SOIL

Extracted: September 1, 1995

Run: 8299-C

Analyzed: September 1, 1995

Spl #	Sample ID	TRPH (mg/Kg)	REPORTING LIMIT (mg/Kg)	BLANK RESULT (mg/Kg)	BLANK SPIKE RESULT (%)
101329	CF-STOCKPILE-COMP	93	10	N.D.	102

Carol House
Carol House
Extractions Supervisor

Ali Kharrazi
Ali Kharrazi
Organic Manager

CHROMALAB, INC.

Environmental Services (SDB)

September 5, 1995

Submission #: 9508446

JONAS & ASSOCIATES, INC.

Atten: Romena Jonas

Project: CONTAINER FREIGHT
Received: August 30, 1995

Project#: CLT-212

re: One sample for RCRA (8) Metals analysis.
Method: EPA 3050A M/6010/7471

Sample ID: CF-STOCKPILE-COMP

Sample #: 101329

Matrix: SOIL

Extracted: August 31, 1995

Sampled: August 30, 1995

Run: 8281-D

Analyzed: August 31, 1995

Analyte	RESULT (mg/Kg)	REPORTING LIMIT (mg/Kg)	BLANK RESULT (MG/KG)	BLANK SPIKE RESULT (%)
ARSENIC	N.D.	1.0	N.D.	99
BARIUM	94	1.0	N.D.	98
CADMIUM	0.6	0.5	N.D.	95
CHROMIUM	N.D.	1.0	N.D.	98
LEAD	44	1.0	N.D.	99
SELENIUM	N.D.	2.0	N.D.	100
SILVER	N.D.	1.0	N.D.	101
MERCURY	0.27	0.05	N.D.	106


Doina Danet
Chemist


John S. Labash
Inorganic Supervisor

CHROMALAB, INC.

Environmental Services (SDB)

Submission #: 9508446

September 6, 1995

JONAS & ASSOCIATES, INC.

Attn: Romena Jonas

Project: CONTAINER FREIGHT
Received: August 30, 1995

Project#: CLT-212

re: One sample for CA Title 22 W.E.T. (STLC) Metals analysis.
Method: CA WET/EPA 3005A M/6010/7470

SampleID: CF-STOCKPILE-COMP
Sample #: 101330
Sampled: August 30, 1995

Matrix: SOIL
Run: 8315-D

Extracted: September 5, 1995
Analyzed: September 5, 1995

Analyte	RESULT	REPORTING	BLANK	BLANK SPIKE
	(mg/L)	LIMIT	RESULT	RESULT
		(mg/L)	(mg/L)	(%)
ARSENIC	N.D.	0.5	N.D.	98
BARIUM	5.4	0.1	N.D.	98
CADMIUM	N.D.	0.1	N.D.	99
CHROMIUM	N.D.	0.5	N.D.	99
LEAD	2.9	0.5	N.D.	97
SELENIUM	N.D.	0.2	0.24	92
SILVER	N.D.	0.5	N.D.	102
MERCURY	N.D.	0.005	N.D.	102


Doina Danet
Chemist


John S. Labdash
Inorganic Supervisor

CHROMALAB, INC.

Environmental Services (SDB)

September 7, 1995

Submission #: 9508446

JONAS & ASSOCIATES, INC.

Atten: Romena Jonas

Project: CONTAINER FREIGHT
Received: August 30, 1995

Project#: CLT-212

re: 1 sample for Gasoline and BTEX analysis.
Method: EPA 5030/8015M/502/8020

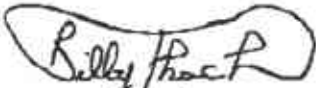
Sampled: August 30, 1995

Matrix: WATER

Run: 8342-4

Analyzed: September 5, 1995

Spl #	Sample ID	Gasoline (mg/L)	Benzene (ug/L)	Toluene (ug/L)	Ethyl Benzene (ug/L)	Total Xylenes (ug/L)
101332	CONTAINER-GW	N.D.	N.D.	N.D.	N.D.	N.D.
Reporting Limits		0.05	0.5	0.5	0.5	0.5
Blank Result		N.D.	N.D.	N.D.	N.D.	N.D.
Blank Spike Result (%)		97	108	108	111	110


Billy Hach
Chemist

Ali Khazrazi
Organic Manager

CHROMALAB, INC.

Environmental Services (508)

September 6, 1995

Submission #: 9508446

JONAS & ASSOCIATES, INC.

Atten: Romena Jonas
Project: CONTAINER FREIGHT
Received: August 30, 1995

Project#: CLT-212

re: 1 sample for Total Extractable Petroleum Hydrocarbons (TEPH) analysis.

Method: EPA 3510/8015M
Sampled: August 30, 1995

Matrix: WATER
Run: 8336-K

Extracted: September 5, 1995
Analyzed: September 6, 1995

Spl #	Sample ID	Kerosene (ug/L)	Diesel (ug/L)	Motor Oil (ug/L)
101332	CONTAINER-GW	N.D.	N.D.	N.D.
For above sample: unknown hydrocarbons in the Kerosene range, conc. = 63ug/L.				

Reporting Limits	50	50	500
Blank Result	N.D.	N.D.	N.D.
Blank Spike Result (%)	--	76	--


Kayvan Amyai
Chemist


Ali Kharrazi
Organic Manager

CHROMALAB, INC.

Environmental Services (SDB)

Submission #: 9508446

September 6, 1995

JONAS & ASSOCIATES, INC.

Atten: Romena Jonas

Project: CONTAINER FREIGHT
Received: August 30, 1995

Project#: CLT-212

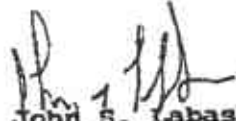
re: 1 sample for Lead analysis.
Method: EPA 3010A M/6010

Sampled: August 30, 1995 Matrix: WATER Extracted: September 5, 1995
Run: 8323-D Analyzed: September 6, 1995

Spl #	Sample ID	LEAD (mg/L)	REPORTING LIMIT (mg/L)	BLANK RESULT (mg/L)	BLANK SPIKE RESULT (%)
101332	CONTAINER-GW	0.04	0.01	N.D.	98


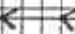


Charles Woolley
Chemist

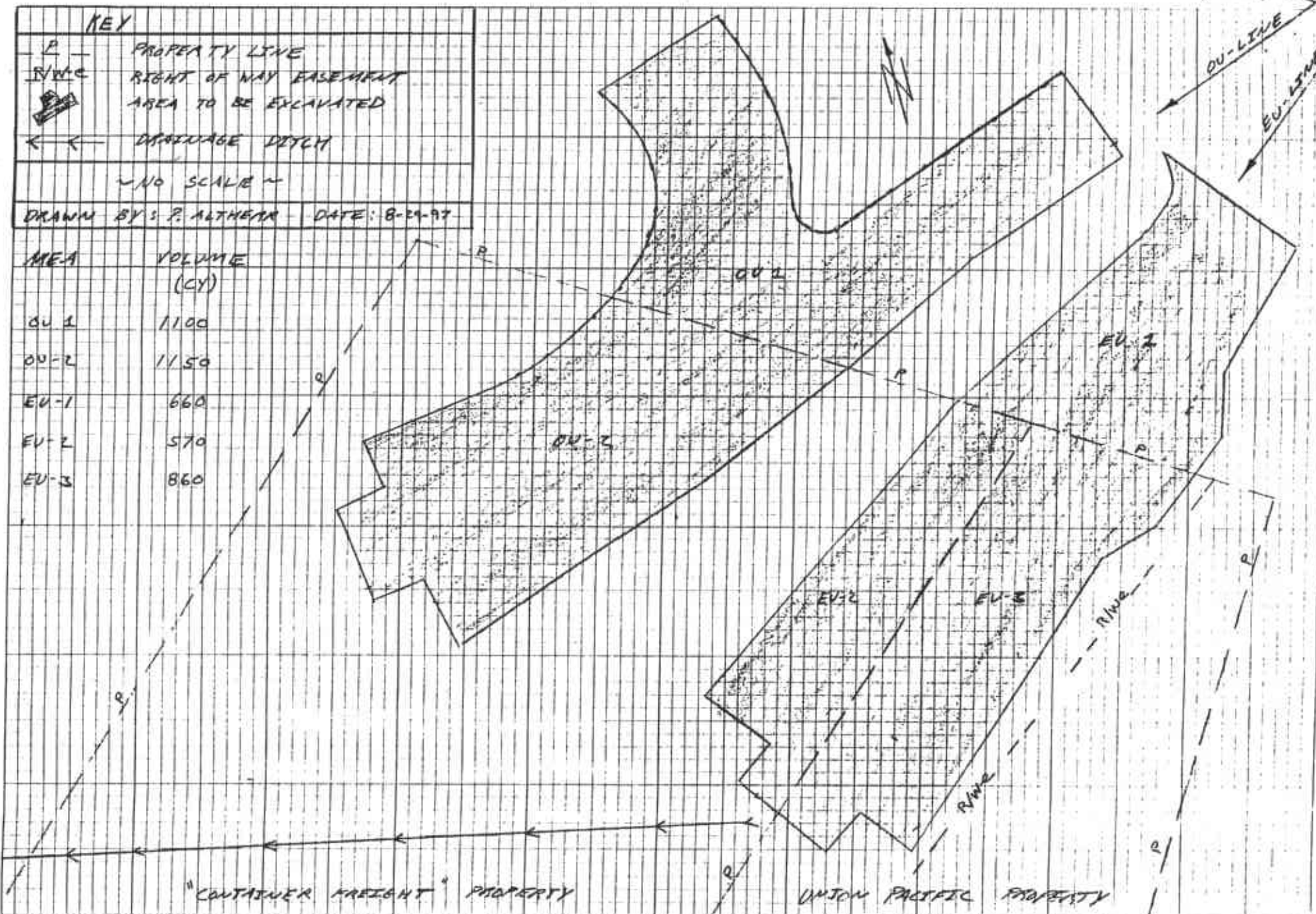


John S. Labash
Inorganic Supervisor

PLAN VIEW OF UNION STREET ON $\frac{1}{2}$ OFF RAMP EXCAVATION LIMITS


KEY	
P	PROPERTY LINE
R/W	RIGHT OF WAY EASEMENT
	AREA TO BE EXCAVATED
	DRAINAGE DITCH
~ NO SCALE ~	
DRAWN BY S. P. ALTHEAR DATE: 8-24-97	

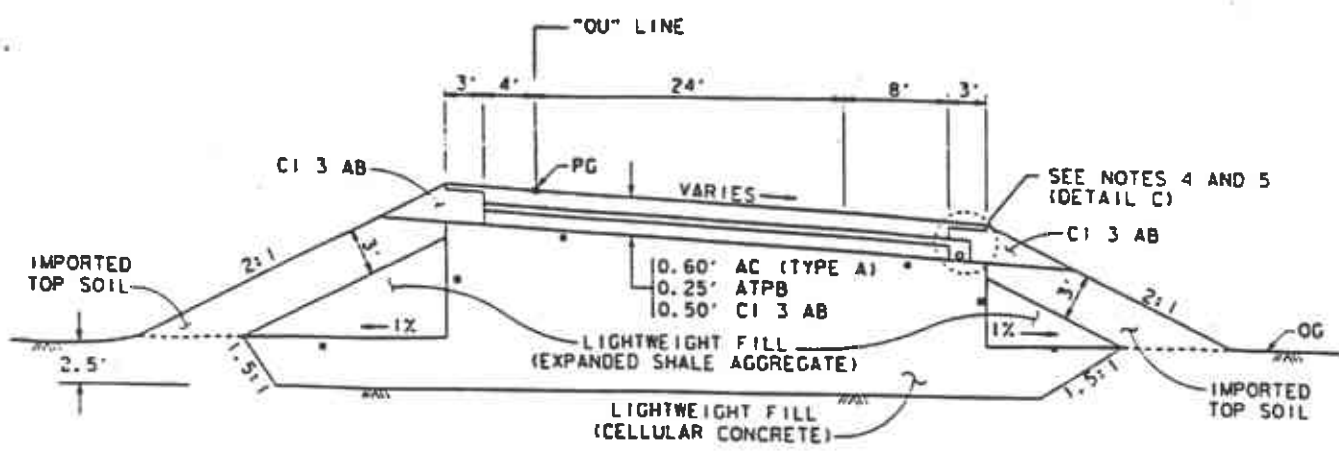
MEA	VOLUME (CY)
OU-1	1100
OU-2	1150
EU-1	660
EU-2	570
EU-3	860



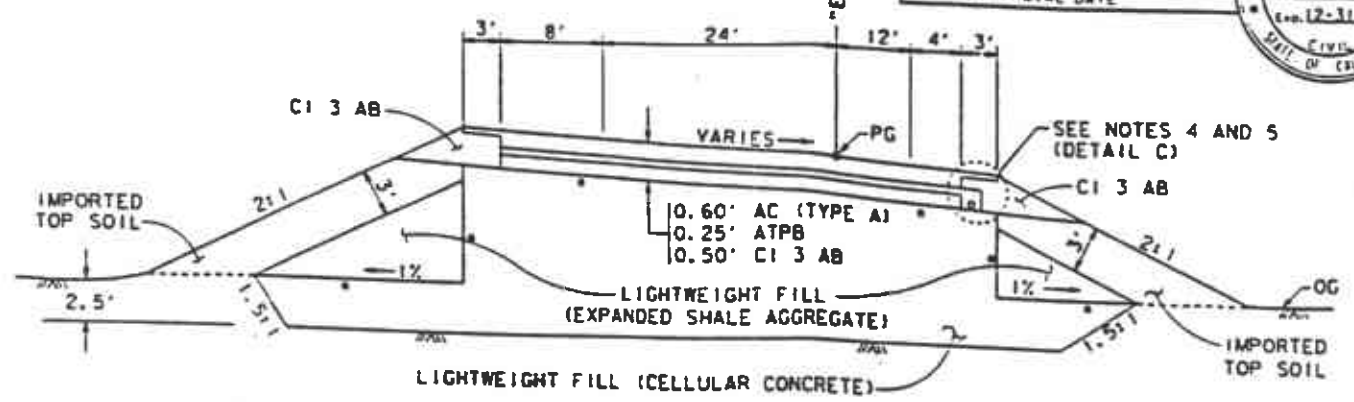
CYPRESS REPLACEMENT CONTRACT 04-192204

FIGURE 3 A

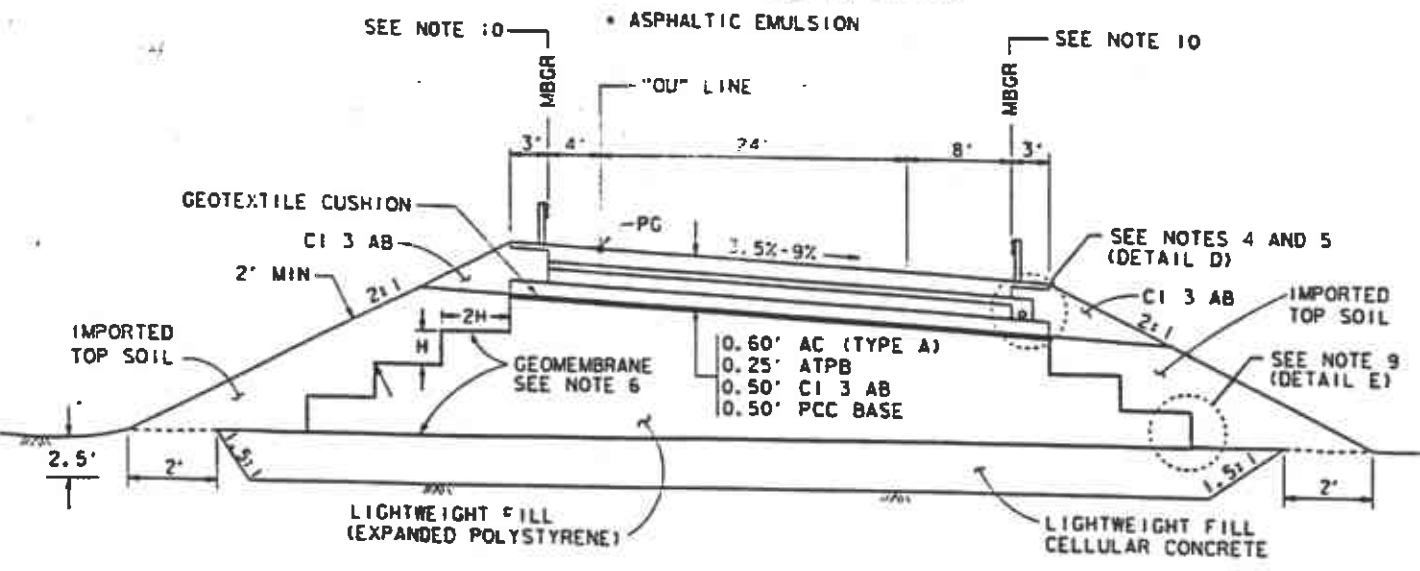
DIST COUNTY	ROUTE	POST MILES	SHEET TOTAL
04 A10	880	31.4/32.9	3 587
K. Bennett Sulliff REGISTERED CIVIL ENGINEER 7-14-93 6-6-94 PLANS APPROVAL DATE			
			



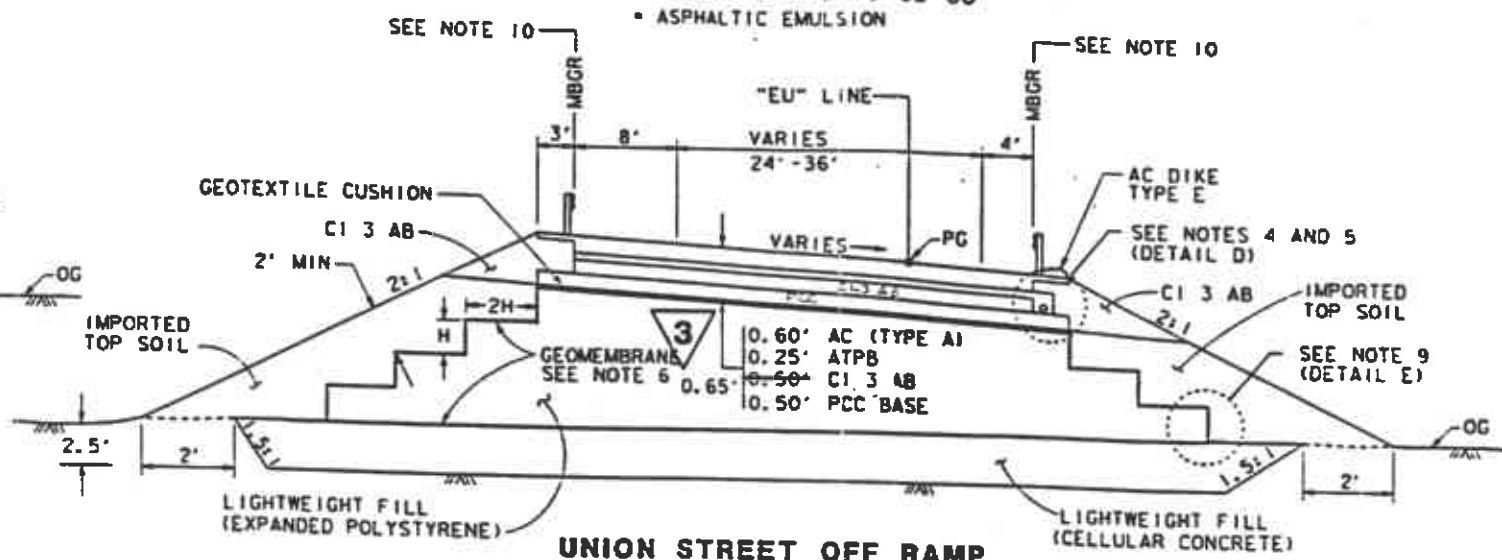
UNION STREET ON RAMP
"OU" LINE STA 86+55 TO 87+23



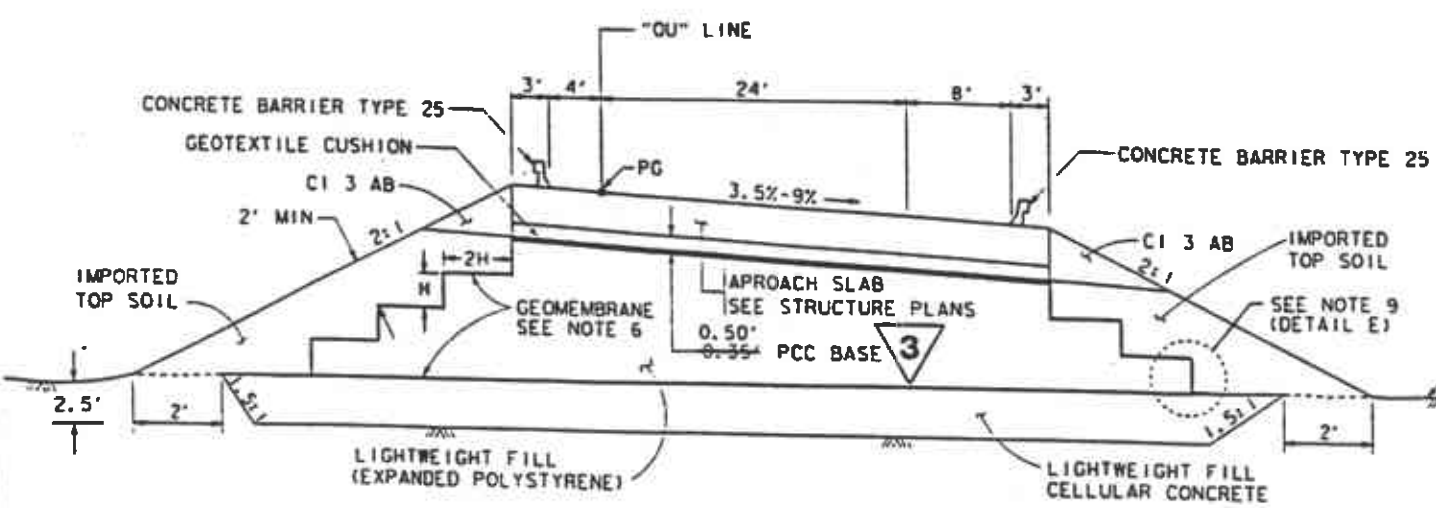
UNION STREET OFF RAMP
"EU" LINE STA 84+70 TO 85+00



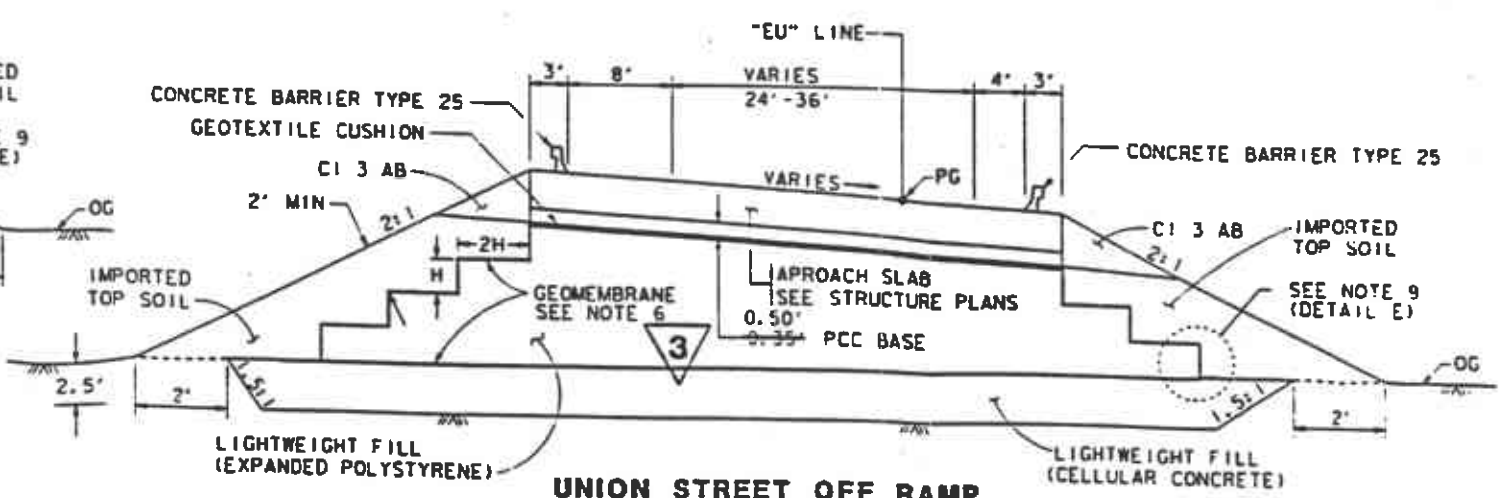
UNION STREET ON RAMP
"OU" LINE STA 87+23 TO 89+47



UNION STREET OFF RAMP
"EU" LINE STA 85+00 TO 87+20



UNION STREET ON RAMP
"OU" LINE STA 89+47 TO 89+77



UNION STREET OFF RAMP
"EU" LINE STA 87+20 TO 87+50



REVISED PER ADDENDUM NO. 3 DATED NOVEMBER 21, 1994

TYPICAL CROSS SECTION
NO SCALE X-2

FOR REDUCED PLANS
ORIGINAL SCALE IS IN INCHES

USERNAME -> rmp
DGN FILE -> /usr1/home/PO/419220/05.dgn

FIGURE 3 B

REVISOR
DATE
DESIGNED BY
CHECKED BY
PROJECT ENGINEER
K. B. SULLIFF

STATE OF CALIFORNIA
DEPARTMENT OF TRANSPORTATION
SACRAMENTO DESIGN

TIME PLOTTED - 19-NOV-1994 07:56