

RECEIVED

9:35 am, Jun 20, 2007

Alameda County
Environmental Health



Shell Oil Products US

June 15, 2007

Re: **Soil Vapor Investigation Work Plan
Former Shell-branded Service Station
15275 Washington Avenue
San Leandro, California**

Dear Mr. Jerry Wickham:

I declare, under penalty of perjury, that the information and/or recommendations contained in the attached document or report is true and correct to the best of my knowledge.

Sincerely,
Shell Oil Products US

A handwritten signature in black ink, appearing to read "Denis L. Brown".

Denis L. Brown
Project Manager

June 15, 2007
DELTA Project SJ15-275-1X
SAP: 129460

Mr. Jerry Wickham
Alameda County Health Care Services Agency
1131 Harbor Bay Parkway, Suite 250
Alameda, California 94502-6577

**Re: Soil Vapor Investigation Work Plan
Former Shell-Branded Service Station
15275 Washington Avenue
San Leandro, California**



Dear Mr. Wickham,

Delta Environmental Consultants (DELTA), on behalf of Shell Oil Products US (Shell), has prepared this work plan for a soil vapor investigation at the above referenced site. In a letter to Shell dated December 29, 2006, the Alameda County Environmental Health Services Agency (ACEH) requested that Shell:

- 1) re-evaluate the potential risks to indoor air quality of the hydrocarbons remaining at the site following operation of a soil vapor extraction system from 1998 to 1999;
- 2) construct two hydrogeologic cross sections, specifically to evaluate the levels of dissolved hydrocarbons remaining in well S-9, which are higher than any other on or off-site well;
- 3) present a sensitive receptor survey for all wells within 2000 feet of the site that includes all relevant well construction details; and
- 4) give recommendations for future actions, based on past remediation efforts and current concentrations of dissolved-phase and vapor-phase hydrocarbons remaining on site.

The attached work plan proposes a soil vapor survey to assess current on and off-site soil vapor concentrations. Following collection of the soil vapor data, a site conceptual model (SCM) detailing distribution of hydrocarbons remaining in soil, groundwater, and soil vapor will be completed. Cross sections will also be constructed to evaluate hydrocarbon levels in well S-9 (see Attachment A for the most recent groundwater monitoring results). All previous assessment and remediation data available will be incorporated into the model.

The SCM, together with current hydrocarbon soil vapor concentrations, potential groundwater receptor wells within 2000 feet of the site, and current groundwater monitoring results, will be used to generate risk-based corrective action plan for the site.

BACKGROUND

The subject site is located on the northwest corner of the intersection of Washington Avenue and Lewelling Boulevard in San Leandro, California. The area is a mix of residential (predominantly multi-family units) and commercial properties. A mobile home park is directly adjacent the site on the west. An ARCO service station is still in operation on the southwest corner of the intersection, and is also an open leaking underground fuel tank (LUFT) case.

The subject site, formerly a Shell-branded service station, is currently used as an automotive emissions testing facility (*Speed Smog Check*). Site details are shown on Figure 1. In 1985, four monitoring wells were installed on the site and hydrocarbon-impacted soil and groundwater were detected. In subsequent investigations, a total of 19 on- and off-site wells were installed. In 1987, the waste oil tank was replaced with a double walled tank, and the gasoline underground storage tanks (USTs), dispensers, and associated fuel lines were removed. Approximately 700 cubic yards of hydrocarbon-impacted soil were removed from the site at that time (from June 23, 1997 Weiss Associates *Vadose Zone Characterization Report and Tier 2 Risk-Based Corrective Action Evaluation*). Subsequent monitoring detected the fuel oxygenate MTBE in groundwater as early as 1996.

The above mentioned 1997 Weiss Associates report concluded that there was a potential risk posed to indoor air quality both on the site and in the mobile home park located adjacent to and downgradient from the site. A vapor extraction system in operation from May 1998 to August 1999 was specifically designed to mitigate these risks. No vapor sampling has been conducted at the site since the vapor extraction system was removed from the site in 2002. The vapor extraction system is estimated to have removed 1410 pounds of vapor-phase hydrocarbons from the site (from Cambria 4/2/04 *First Quarter 2004 Monitoring and Remediation Report*).

SOIL VAPOR INVESTIGATION WORK PLAN

As requested by the ACEH, the potential risks to indoor air quality from the hydrocarbons remaining at the site will be reassessed following operation of a soil vapor extraction system from 1998 to 1999. DELTA proposes an additional soil vapor survey to accomplish that goal. We propose to collect soil vapor samples at three locations near well S-9 in the mobile home park, and two at the former service station in the near the former location of the USTs and southern dispenser islands. We propose collecting vapor samples at a minimum depth of five feet below grade (bg), or in the coarsest grained unit above the saturated zone based on past assessment data. Boring logs for existing wells in the proposed soil vapor sample area are presented in Attachment B, and monitoring well locations are shown on Figure 1. The locations of the proposed soil vapor probes (PSG-10 through PSG-14) are shown on Figure 2. Soil vapor sampling and analysis will be conducted in accordance with the Regional Water Quality Control Board, Los Angeles Region (LARWQCB) Well Investigation Program (WIP) Guidelines and Department of Toxic Substances Control (DTSC) Advisory - Active Soil Gas Investigations, dated January 28, 2003.

Prefield Activities

DELTA will obtain necessary drilling permits from the Alameda County Public Works Agency. DELTA will prepare a site-specific health and safety plan prior to initiating field activities. DELTA will mark the location of each proposed soil vapor boring, and contact Underground Services Alert a minimum of 48 hours prior to drilling. In addition, a utility locating contractor will be retained to perform a geophysical survey of the proposed boring locations, and each location will be hand augured to a depth of approximately 4 feet bg to minimize the possibility of drilling equipment encountering any unidentified underground utilities.

Temporary Soil Vapor Probe Installation

Three soil vapor probes (PSG-10 to PSG-12) will be advanced in the mobile home park at the locations shown on Figure 2. These locations will be used to evaluate potential risks posed by inhalation of volatilized hydrocarbons (especially benzene) to the residents living downgradient from the former service station. The locations are close to previous vapor survey points from the 1997 survey, which will allow for comparison with the previous results. Two additional soil vapor probes (PSG-13 and PSG-14) will be located on the former service station site in proximity to the former southern dispensers and the former UST location. These probes will evaluate potential risks to indoor air quality at the former service station building, and gauge the effectiveness of the past soil vapor extraction in reducing hydrocarbon vapors in the subsurface soils.

The soil vapor sampling will be conducted with temporary probes. A Geoprobe® Direct Push Rig will be utilized to advance each drive rod to the predetermined depth, which will then be pulled back to expose the inlets of the soil vapor probe. During installation of each probe, hydrated bentonite will be used to seal around the drive rod at ground surface to prevent ambient air intrusion from occurring.

The inner soil vapor pathway from probe tip to the surface will be continuously sealed to prevent infiltration. To allow for subsurface conditions to reach equilibrium after probe emplacement, soil vapor sampling will not be conducted for at least 20 minutes following probe installation. This is the DTSC standard procedure for sampling probes installed with the direct push method where the drive rod remains in the ground. Following the equilibration period, the filter screen will be exposed and the soil vapor sample will be extracted by vacuum. A detailed description of this process is included as Attachment C.

Vapor Purging

Prior to sample collection, the vapor tight valve and purge canister valve will be opened and one volume of air from the sample tubing (dead volume) will be purged. Purging one dead volume will remove any stagnant, non-representative air that exists within the sample tubing and equipment with minimal subsurface air influence. Minimizing the purged volume is preferable in order to obtain reliable vapor samples from the targeted depth intervals (API, 2005). The appropriate purge time for one dead volume will be calculated based on the length and diameter of the tubing and the flow rate, preset by the laboratory at an average of 200 milliliters/minute. When purging is complete, the vapor tight valve and purge canister valve will be closed. Figure 3 illustrates the process flow diagram of the sampling set up.

Leak Test

During sample collection, DELTA field staff will use isopropyl alcohol leak tracer in order to evaluate the integrity of the system. To complete this activity, gauze or cloths saturated with isopropyl alcohol (IPA) will be placed where vapor probe sampling tubes emerge from the borehole, at each tubing joint (if any) within the sampling system, and at all valve connections. Laboratory analytical results for IPA will be used to determine the air-tightness of the sampling system.

Vapor Sample Collection

Sample collection will begin by opening the sample canister valve and recording the vacuum reading. Next, the vapor tight Swagelock® valve will be opened, allowing vapors to be collected. When the vacuum gauge on the sampling canister decreases to approximately five (5) inches of mercury (inches Hg), the vapor tight

valve and the sample canister valve will be closed and the final vacuum will be recorded. One duplicate sample will be collected from locations PSG-10 and PSG-13, for a total of two duplicate samples.

Soil Vapor Sample Analysis

Sample Summa® canisters will be submitted within 72-hours of sample collection to a California-certified laboratory under proper chain-of-custody documentation, and will be analyzed for TPH-G, BTEX, MTBE, and TBA using EPA Method TO-14A. Samples will also be analyzed for the leak test compound (IPA) at a DTSC acceptable reporting limit.

SITE CONCEPTUAL MODEL AND SOIL VAPOR INVESTIGATION REPORT

Following the soil vapor investigation field activities, DELTA will prepare a Tier I/Tier II Risk Based Corrective Action (RBCA) evaluation with residential parameters for indoor air exposure. DELTA will perform the RBCA using the analytical results of the soil vapor sampling. The results of the RBCA evaluation will be submitted along with a report containing a description of field methods, a boring location map, boring logs, certified analytical reports, and chain-of-custody documentation.

In addition, a Site Conceptual Model (SCM) will be developed for the site. The SCM will include information on regional geology, stratigraphy, and hydrogeology, site geology, information on preferential pathways, groundwater conditions, source area, dissolved plume, and past remediation efforts. Also provided will be two cross sections specifically to evaluate possible causes for the dissolved hydrocarbon levels observed in well S-9.

The report will also include the results of a sensitive receptor survey for wells within a 2000 foot radius of the site. Information on well construction details, such as diameter, screen slot size, total depth, depths of screened interval and filter pack, and year of installation will be included if available. The status of the well will also be included, whether active, decommissioned, or unknown.

Based on a review of all available site information, an evaluation will be made as to what additional actions, if any, need to be taken to address the hydrocarbon impact at the site.

SCHEDULE

DELTA will commence field activities within approximately 45 days of receipt of work plan approval from the ACEH. It is anticipated the final report will be completed 45 days following the receipt of the vapor sample laboratory data.

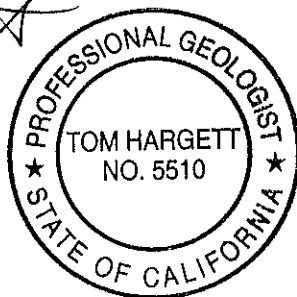
If you have any questions, please call Tom Hargett, DELTA Project Manager, at (408) 826-1868 or Denis Brown, Shell Project Manager, at (707) 865-0251.

Sincerely,

Delta Environmental Consultants, Inc.



Tom Hargett
Project Manager
PG 5510



References:

Arizona State University and Sage Risk Solutions LLC, 2005, *Collecting and Interpreting Soil Gas Samples from the Vadose Zone*: American Petroleum Institute, Publication Number 4741.

Department of Toxic Substances Control (DTSC) and Regional Water Quality Control Board – Los Angeles Region, 2003, *Advisory – Active Soil Gas Investigations*: DTSC.

DTSC, 2004 (revised 2005), *Guidance for the Evaluation and Mitigation of Subsurface Vapor Intrusion to Indoor Air (Interim Final)*: DTSC.

Attachments: Figure 1 – Site Layout Map
Figure 2 – Site Layout with Proposed Soil Borings
Figure 3 – Vapor Sampling Flow Diagram

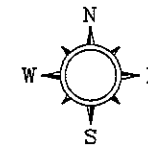
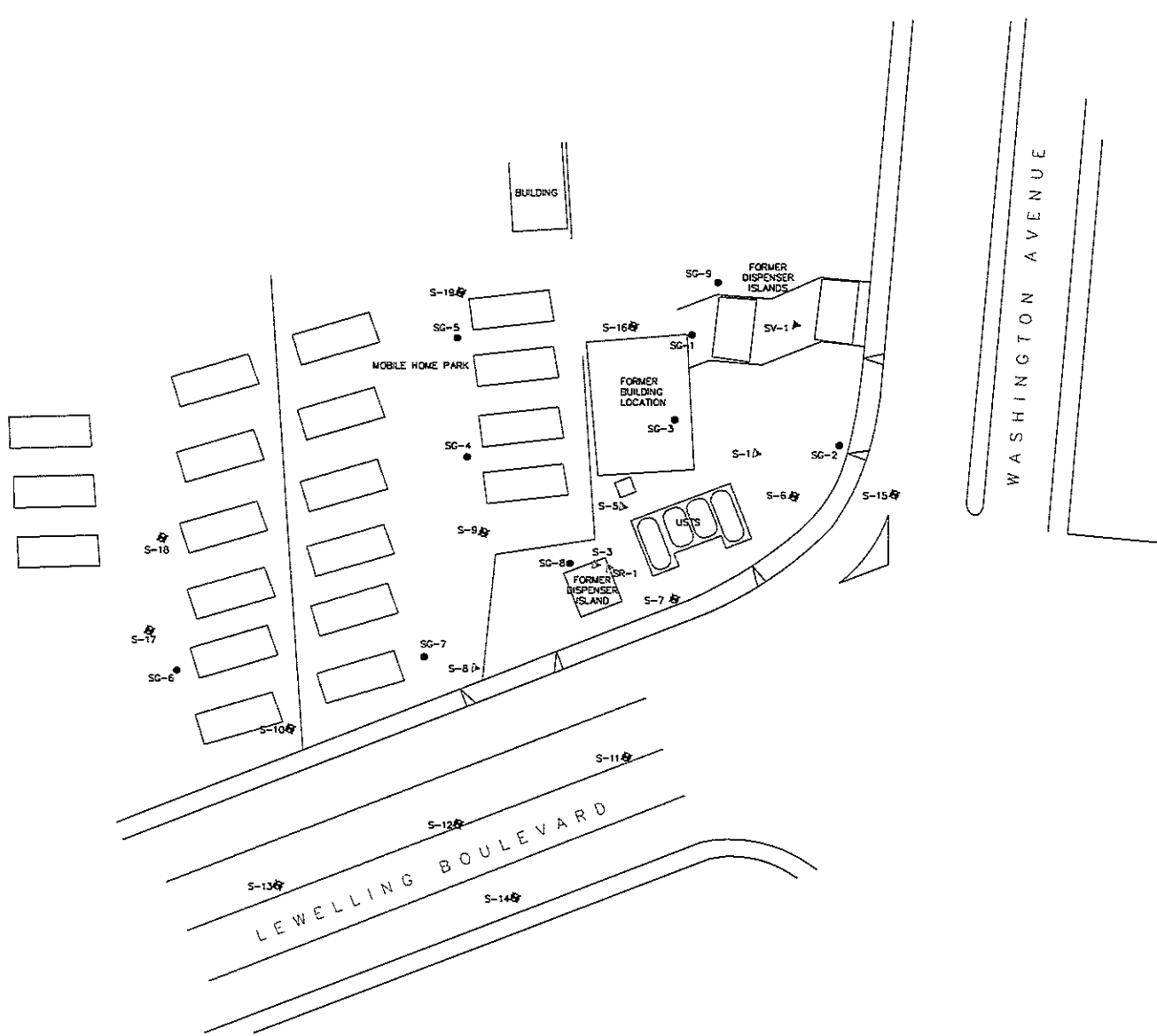
Attachment A – Groundwater Monitoring and Sampling Report, February 2, 2007 (Blaine)
Attachment B – Boring Logs (S-7, S-9, S-10, SR-1)
Attachment C – Vapor Sampling Procedures (Gregg)

PROJECT NUMBER SJ152-75W-1

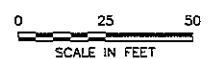
APPROVED BY

CHECKED BY 6/05/07

DRAWN BY AD 6/05/07



- LEGEND
- S-6 ◊ GROUNDWATER MONITORING WELL LOCATION AND DESIGNATION
 - S-1A ◢ GROUNDWATER MONITORING WELL MODIFIED FOR SOIL VAPOR EXTRACTION
 - SV-1A ◣ SOIL VAPOR EXTRACTION WELL LOCATION AND DESIGNATION
 - S-6 ● SOIL VAPOR SAMPLE LOCATION



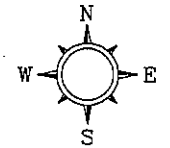
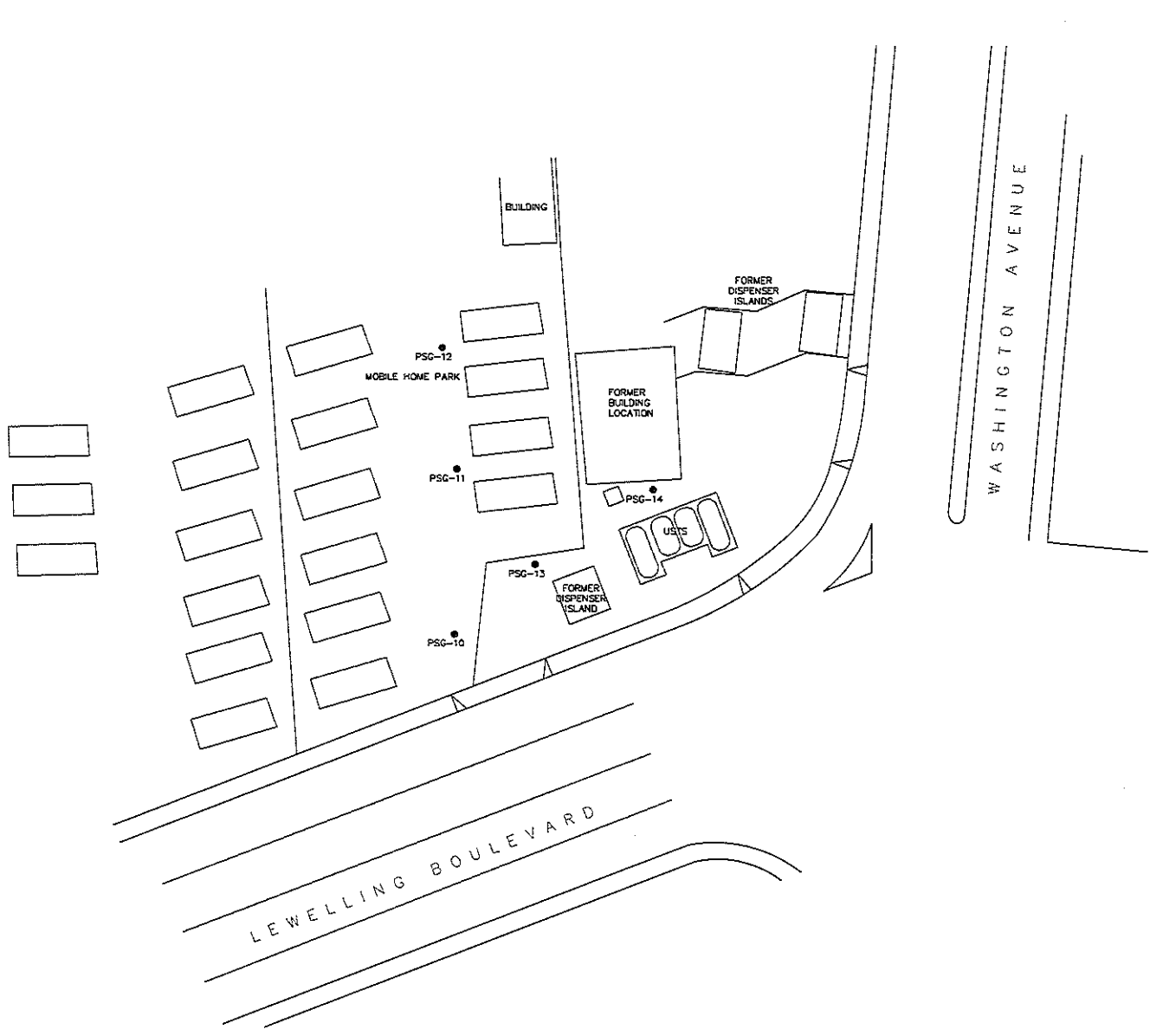
DELTA CONSULTANTS

SHELL OIL PRODUCTS U.S.
FORMER SHELL-BRANDED SERVICE STATION
SAN LEANDRO, CALIFORNIA

Figure 1
SITE LAYOUT MAP

15275 WASHINGTON AVENUE
SAN LEANDRO, CALIFORNIA

PROJECT NUMBER	SJ152-75W-X
CHECKED BY	6/25/07
APPROVED BY	
DRAWN BY	AD



LEGEND
 PSG-10 ● PROPOSED SOIL VAPOR SAMPLE LOCATION

0 25 50
 SCALE IN FEET

DELTA CONSULTANTS

SHELL OIL PRODUCTS U.S.
 FORMER SHELL-BRANDED SERVICE STATION
 SAN LEANDRO, CALIFORNIA

Figure 2
 SITE LAYOUT WITH PROPOSED
 SOIL BORINGS
 15275 WASHINGTON AVENUE
 SAN LEANDRO, CALIFORNIA

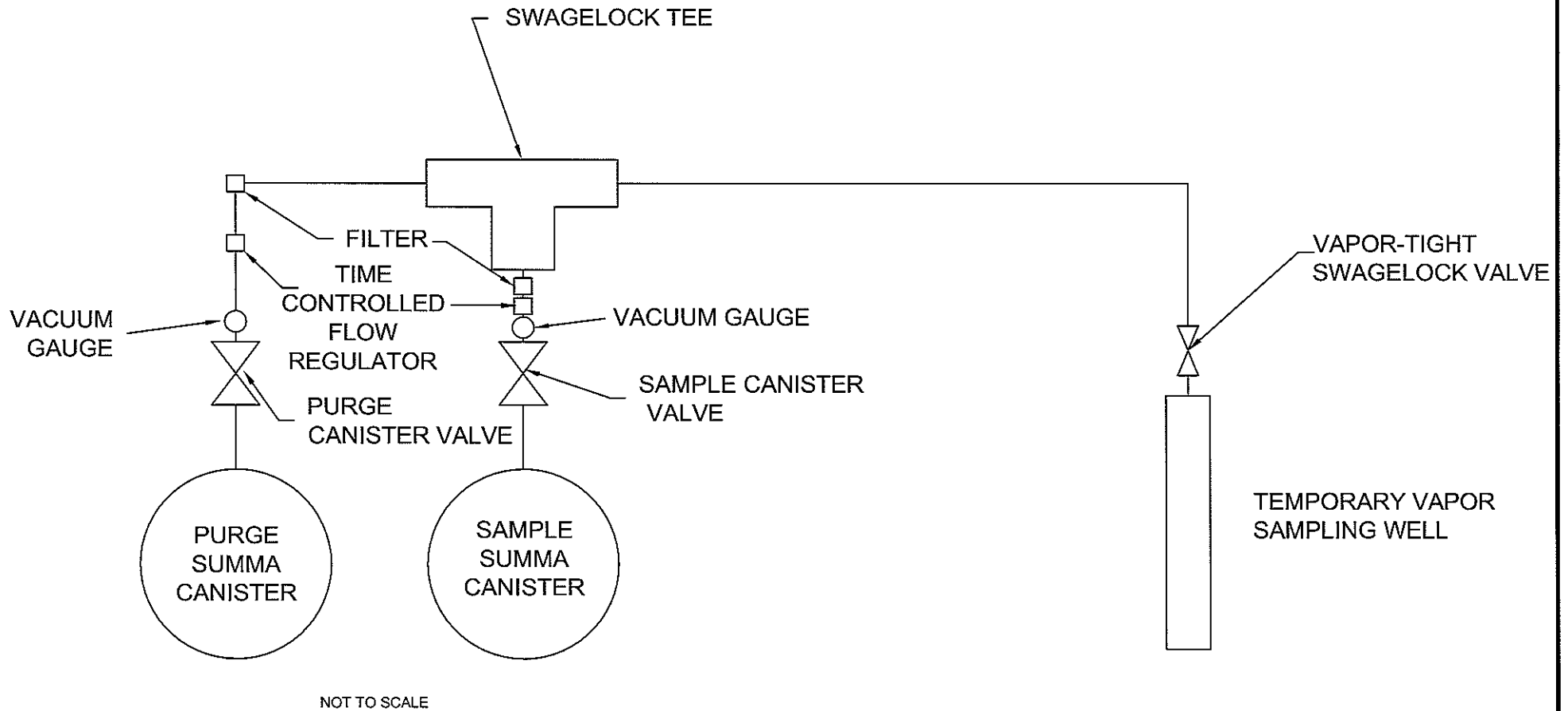


FIGURE 3
VAPOR SAMPLING FLOW DIAGRAM

SHELL SERVICE STATION
15275 WASHINGTON AVENUE
SAN LEANDRO, CALIFORNIA

PROJECT NO. SJ152-751-X	DRAWN BY AD 6/08/07
FILE NO. SJ152-751-X	PREPARED BY AD
REVISION NO. 1	REVIEWED BY



Attachment A

GROUNDWATER MONITORING AND SAMPLING REPORT, FEBRUARY 2, 2007 (BLAINE)

BLAINE
TECH SERVICES INC.

GROUNDWATER SAMPLING SPECIALISTS
SINCE 1985

February 2, 2007

Denis Brown
Shell Oil Products US
20945 South Wilmington Avenue
Carson, CA 90810

First Quarter 2007 Groundwater Monitoring at
Former Shell Service Station
15275 Washington Boulevard
San Leandro, CA

Monitoring performed on January 4, 2007

Groundwater Monitoring Report 070104-SS-1

This report covers the routine monitoring of groundwater wells at this former Shell facility. In accordance with standard procedures that conform to Regional Water Quality Control Board requirements, routine field data collection includes depth to water, total well depth, thickness of any separate immiscible layer, water column volume, calculated purge volume (if applicable), elapsed evacuation time (if applicable), total volume of water removed (if applicable), and standard water parameter instrument readings. Sample material is collected, contained, stored, and transported to the laboratory in conformance with EPA standards. Purge water (if applicable) is, likewise, collected and transported to the Martinez Refining Company.

Basic field information is presented alongside analytical values excerpted from the laboratory report in the cumulative table of **WELL CONCENTRATIONS**. The full analytical report for the most recent samples and the field data sheets are attached to this report.

At a minimum, Blaine Tech Services, Inc. field personnel are certified on completion of a forty-hour Hazardous Materials and Emergency Response training course per 29 CFR 1910.120. Field personnel are also enrolled in annual eight-hour refresher courses.

Blaine Tech Services, Inc. conducts sampling and documentation assignments of this type as an independent third party. Our activities at this site consisted of objective data and sample collection only. No interpretation of analytical results, defining of hydrological conditions or formulation of recommendations was performed.

Please call if you have any questions.

Yours truly,

Mike Ninokata
Project Manager

MN/ks

attachments: Cumulative Table of WELL CONCENTRATIONS
Certified Analytical Report
Field Data Sheets

cc: Joe Rounds
Delta Environmental
175 Bernal Rd., Suite 200
San Jose, CA 95119

WELL CONCENTRATIONS
Former Shell Service Station
15275 Washington Boulevard
San Leandro, CA

Well ID	Date	TPPH (ug/L)	B (ug/L)	T (ug/L)	E (ug/L)	X (ug/L)	MTBE 8020 (ug/L)	MTBE 8260 (ug/L)	TOC (MSL)	Depth to Water (ft.)	GW Elevation (MSL)	SPH Thickness (ft.)	DO Reading (ppm)
S-1	07/08/1985	520	NA	NA	NA	NA	NA	NA	21.55	NA	NA	NA	NA
S-1	09/06/1988	<50	<0.5	<1	<1	<0.3	NA	NA	21.55	NA	NA	NA	NA
S-1	11/16/1988	<50	<0.5	<1	<1	<0.3	NA	NA	21.55	8.01	13.54	NA	NA
S-1	02/27/1989	<50	0.5	<1	<1	<0.3	NA	NA	21.55	NA	NA	NA	NA
S-1	05/04/1989	<50	1.0	<1	<1	<0.3	NA	NA	21.55	NA	NA	NA	NA
S-1	08/10/1989	<50	0.7	<1	<1	<0.3	NA	NA	21.55	7.93	13.62	NA	NA
S-1	10/10/1989	<50	<0.5	<1	<1	<0.3	NA	NA	21.55	8.09	13.46	NA	NA
S-1	01/25/1990	<50	<0.5	<0.5	<0.5	<1	NA	NA	21.55	7.73	13.82	NA	NA
S-1	04/18/1990	<50	<0.5	<0.5	<0.5	<1	NA	NA	21.55	7.91	13.64	NA	NA
S-1	07/23/1990	<50	<0.5	<0.5	<0.5	<0.5	NA	NA	21.55	7.72	13.83	NA	NA
S-1	10/18/1990	80	5	<0.5	<0.5	3.0	NA	NA	21.55	8.55	13.00	NA	NA
S-1	01/28/1991	<50	4.5	<0.5	<0.5	2.0	NA	NA	21.55	8.52	13.03	NA	NA
S-1	04/25/1991	80a	3.7	<0.5	0.7	2.0	NA	NA	21.55	7.18	14.37	NA	NA
S-1	07/09/1991	200	16	<0.5	1.3	5.8	NA	NA	21.55	8.22	13.33	NA	NA
S-1	10/08/1991	<50	2.3	<0.5	<0.5	<0.5	NA	NA	21.55	8.70	12.85	NA	NA
S-1	02/05/1992	160	8.9	<0.5	2.1	6.0	NA	NA	21.55	8.14	13.41	NA	NA
S-1	04/28/1992	<50	2.4	<0.5	<0.5	0.9	NA	NA	21.55	7.52	14.03	NA	NA
S-1	07/27/1992	<50	<0.5	<0.5	<0.5	<0.5	NA	NA	21.55	8.28	13.27	NA	NA
S-1	10/26/1992	57	3.0	1.6	1.4	1.7	NA	NA	21.55	8.74	12.81	NA	NA
S-1	01/14/1993	490	53	1.2	20	33	NA	NA	21.55	5.91	15.64	NA	NA
S-1	04/16/1993	240	20	<0.5	15	240	NA	NA	21.55	6.66	14.89	NA	NA
S-1	07/23/1993	<50	0.5	<0.5	<0.5	<0.5	NA	NA	21.55	7.53	14.02	NA	NA
S-1	10/27/1993	60	5.9	<0.5	2.5	1.7	NA	NA	21.55	8.20	13.35	NA	NA
S-1	01/27/1994	<50	2.1	<0.5	<0.5	0.63	NA	NA	21.55	7.26	14.29	NA	NA
S-1	05/05/1994	57	3.9	<0.5	1.9	1.9	NA	NA	21.27	7.38	13.89	NA	NA
S-1	07/26/1994	<50	2.2	<0.3	<0.3	<0.6	NA	NA	21.27	7.86	13.41	NA	NA
S-1	10/28/1994	<50	0.8	<0.3	<0.3	0.8	NA	NA	21.27	7.86	13.41	NA	NA
S-1	01/02/1995	<50	<0.5	<0.5	<0.5	<0.5	NA	NA	21.27	6.85	14.42	NA	NA

WELL CONCENTRATIONS
Former Shell Service Station
15275 Washington Boulevard
San Leandro, CA

Well ID	Date	TPPH (ug/L)	B (ug/L)	T (ug/L)	E (ug/L)	X (ug/L)	MTBE 8020 (ug/L)	MTBE 8260 (ug/L)	TOC (MSL)	Depth to Water (ft.)	GW Elevation (MSL)	SPH Thickness (ft.)	DO Reading (ppm)
S-1	04/14/1995	NA	NA	NA	NA	NA	NA	NA	21.27	6.08	15.19	NA	NA
S-1	07/28/1995	60	2.2	<0.5	1.3	1.2	NA	NA	21.27	6.79	14.48	NA	NA
S-1	10/17/1995	60	2.6	<0.5	1.2	1.3	NA	NA	21.27	7.04	14.23	NA	NA
S-1	01/11/1996	<50	2.0	<0.5	<0.5	<0.5	<2	NA	21.27	6.40	14.87	NA	NA
S-1	04/02/1996	NA	NA	NA	NA	NA	NA	NA	21.27	5.84	15.43	NA	NA
S-1	07/09/1996	NA	NA	NA	NA	NA	NA	NA	21.27	6.50	14.77	NA	NA
S-1	10/10/1996	NA	NA	NA	NA	NA	NA	NA	21.27	7.31	13.96	NA	NA
S-1	01/09/1997	<50	<0.50	<0.50	<0.50	<0.50	6.7	NA	21.27	5.50	15.77	NA	NA
S-1	04/08/1997	NA	NA	NA	NA	NA	NA	NA	21.27	7.03	14.24	NA	NA
S-1	07/21/1997	NA	NA	NA	NA	NA	NA	NA	21.27	7.00	14.27	NA	NA
S-1	10/08/1997	NA	NA	NA	NA	NA	NA	NA	21.27	7.51	13.76	NA	NA
S-1	01/15/1998	420	16	<0.50	4.6	3.9	26	NA	21.27	5.43	15.84	NA	NA
S-1	04/14/1998	NA	NA	NA	NA	NA	NA	NA	21.27	5.55	15.72	NA	NA
S-1	07/14/1998	NA	NA	NA	NA	NA	NA	NA	21.33	6.38	14.95	NA	NA
S-1	10/20/1998	NA	NA	NA	NA	NA	NA	NA	21.33	7.48	13.85	NA	NA
S-1	01/22/1999	<50.0	<0.500	<0.500	<0.500	<0.500	2.53	NA	21.33	6.37	14.96	NA	NA
S-1	04/08/1999	NA	NA	NA	NA	NA	NA	NA	21.33	5.93	15.40	NA	NA
S-1	07/23/1999	NA	NA	NA	NA	NA	NA	NA	21.33	7.20	14.13	NA	NA
S-1	10/26/1999	NA	NA	NA	NA	NA	NA	NA	21.33	7.61	13.72	NA	NA
S-1	01/03/2000	<50.0	<0.500	<0.500	<0.500	<0.500	4.73	NA	21.33	7.76	13.57	NA	NA
S-1	04/14/2000	NA	NA	NA	NA	NA	NA	NA	21.33	6.35	14.98	NA	NA
S-1	07/12/2000	NA	NA	NA	NA	NA	NA	NA	21.33	7.05	14.28	NA	NA
S-1	11/01/2000	NA	NA	NA	NA	NA	NA	NA	21.33	6.51	14.82	NA	NA
S-1	01/03/2001	<50.0	<0.500	<0.500	<0.500	<0.500	<2.50	NA	21.33	7.49	13.84	NA	NA
S-1	04/24/2001	NA	NA	NA	NA	NA	NA	NA	21.33	6.85	14.48	NA	NA
S-1	07/02/2001	NA	NA	NA	NA	NA	NA	NA	21.33	7.65	13.68	NA	NA
S-1	11/02/2001	NA	NA	NA	NA	NA	NA	NA	21.33	7.84	13.49	NA	NA
S-1	01/16/2002	<50	<0.50	<0.50	<0.50	<0.50	NA	<5.0	21.33	6.16	15.17	NA	NA

WELL CONCENTRATIONS
Former Shell Service Station
15275 Washington Boulevard
San Leandro, CA

Well ID	Date	TPPH (ug/L)	B (ug/L)	T (ug/L)	E (ug/L)	X (ug/L)	MTBE 8020 (ug/L)	MTBE 8260 (ug/L)	TOC (MSL)	Depth to Water (ft.)	GW Elevation (MSL)	SPH Thickness (ft.)	DO Reading (ppm)
---------	------	----------------	-------------	-------------	-------------	-------------	------------------------	------------------------	--------------	----------------------------	--------------------------	---------------------------	------------------------

S-1	04/01/2002	NA	NA	NA	NA	NA	NA	NA	21.33	6.57	14.76	NA	NA
S-1	07/11/2002	NA	NA	NA	NA	NA	NA	NA	21.33	7.52	13.81	NA	NA
S-1	10/28/2002	NA	NA	NA	NA	NA	NA	NA	21.33	7.99	13.34	NA	NA
S-1	01/23/2003	<50	<0.50	<0.50	<0.50	<0.50	NA	5.6	21.33	6.46	14.87	NA	NA
S-1	04/30/2003	NA	NA	NA	NA	NA	NA	NA	21.33	6.18	15.15	NA	NA
S-1	07/01/2003	NA	NA	NA	NA	NA	NA	NA	21.33	7.38	13.95	NA	NA
S-1	10/08/2003	NA	NA	NA	NA	NA	NA	NA	21.33	7.87	13.46	NA	NA
S-1	01/22/2004	<50	<0.50	<0.50	<0.50	<1.0	NA	NA	21.33	6.90	14.43	NA	NA
S-1	07/13/2004	NA	NA	NA	NA	NA	NA	NA	21.33	7.83	13.50	NA	NA
S-1	01/20/2005	<50	<0.50	<0.50	<0.50	<1.0	NA	NA	21.33	5.68	15.65	NA	NA
S-1	07/19/2005	NA	NA	NA	NA	NA	NA	NA	21.33	6.35	14.98	NA	NA
S-1	01/27/2006	<50.0	<0.500	<0.500	<0.500	<0.500	NA	NA	21.33	6.05	15.28	NA	NA
S-1	07/25/2006	NA	NA	NA	NA	NA	NA	NA	21.33	7.12	14.21	NA	NA
S-1	01/04/2007	<50	<0.50	<0.50	<0.50	<1.0	NA	NA	21.33	6.75	14.58	NA	NA

S-3	09/06/1988	96000	3400	9500	2700	17000	NA	NA	21.14	NA	NA	NA	NA
S-3	11/16/1988	70000	4600	8400	2500	13000	NA	NA	21.14	7.76	13.38	NA	NA
S-3	02/27/1989	32000	2400	3100	1500	6400	NA	NA	21.14	NA	NA	NA	NA
S-3	05/04/1989	47000	4400	300	2400	15000	NA	NA	21.14	NA	NA	NA	NA
S-3	08/10/1989	110000	5700	5700	3200	19000	NA	NA	21.14	7.92	13.22	NA	NA
S-3	10/10/1989	52000	4600	3300	2600	15000	NA	NA	21.14	8.00	13.14	NA	NA
S-3	01/25/1990	420000	5200	4100	6700	34000	NA	NA	21.14	7.54	13.60	NA	NA
S-3	04/18/1990	58000	3800	1400	2400	12000	NA	NA	21.14	7.74	13.40	NA	NA
S-3	07/23/1990	49000	3400	1800	2300	12000	NA	NA	21.14	7.55	13.59	NA	NA
S-3	10/18/1990	44000	3500	650	2400	11000	NA	NA	21.14	8.47	12.67	NA	NA
S-3	01/28/1991	64000	40900	570	1940	8090	NA	NA	21.14	8.38	12.76	NA	NA
S-3	04/25/1991	120000	3900	3600	2400	8900	NA	NA	21.14	6.91	14.23	NA	NA
S-3	07/09/1991	50000	3600	2300	1800	10000	NA	NA	21.14	8.07	13.07	NA	NA

WELL CONCENTRATIONS
Former Shell Service Station
15275 Washington Boulevard
San Leandro, CA

Well ID	Date	TPPH (ug/L)	B (ug/L)	T (ug/L)	E (ug/L)	X (ug/L)	MTBE 8020 (ug/L)	MTBE 8260 (ug/L)	TOC (MSL)	Depth to Water (ft.)	GW Elevation (MSL)	SPH Thickness (ft.)	DO Reading (ppm)
S-3	10/08/1991	130000	3600	1000	2800	8400	NA	NA	21.14	8.61	12.53	NA	NA
S-3	02/05/1992	150000	2500	670	2700	10000	NA	NA	21.14	7.80	13.34	NA	NA
S-3	04/28/1992	120000	2200	1200	2000	5800	NA	NA	21.14	7.27	13.87	NA	NA
S-3	07/27/1992	190000	1400	<1250	<1250	3400	NA	NA	21.14	8.10	13.04	NA	NA
S-3	10/26/1992	950000	2000	8400	16000	36000	NA	NA	21.14	8.62	12.52	NA	NA
S-3	01/14/1993	41000	2700	2500	1800	6900	NA	NA	21.14	5.16	15.98	NA	NA
S-3	04/16/1993	40000	930	2800	1900	14000	NA	NA	21.14	7.18	13.96	NA	NA
S-3	07/23/1993	87000	1600	<5	1300	4000	NA	NA	21.14	7.34	13.80	NA	NA
S-3	10/27/1993	36000	2200	<500	1500	3200	NA	NA	21.14	8.03	13.11	NA	NA
S-3	01/27/1994	190000	3200	3100	4100	15000	NA	NA	21.14	6.79	14.35	NA	NA
S-3	05/05/1994	36000	1100	490	1600	4700	NA	NA	20.48	6.75	13.73	NA	NA
S-3	07/26/1994	18000	1039	170.5	845.4	967.5	NA	NA	20.48	7.30	13.18	NA	NA
S-3	10/28/1994	25869	467.9	294	546.2	343.3	NA	NA	20.48	8.36	12.12	NA	NA
S-3	01/02/1995	23000	850	260	900	2100	NA	NA	20.48	6.36	14.12	NA	NA
S-3	04/14/1995	33000	720	670	1600	6600	NA	NA	20.48	5.87	14.61	NA	NA
S-3	07/28/1995	12000	540	<10	580	780	NA	NA	20.48	6.33	14.15	NA	NA
S-3	10/17/1995	Well inaccessible		NA	NA	NA	NA	NA	20.48	6.48	14.00	NA	NA
S-3	01/11/1996	16000	520	290	740	2600	<200	NA	20.48	5.80	14.68	NA	NA
S-3	04/02/1996	NA	NA	NA	NA	NA	NA	NA	20.48	5.00	15.48	NA	NA
S-3	07/09/1996	NA	NA	NA	NA	NA	NA	NA	20.48	5.93	14.55	NA	NA
S-3	10/10/1996	NA	NA	NA	NA	NA	NA	NA	20.48	6.73	13.75	NA	NA
S-3	01/09/1997	30000	420	330	1500	6300	<500	NA	20.48	4.72	15.76	NA	NA
S-3	04/08/1997	NA	NA	NA	NA	NA	NA	NA	20.48	6.63	13.85	NA	NA
S-3	07/21/1997	NA	NA	NA	NA	NA	NA	NA	20.48	6.18	14.30	NA	NA
S-3	10/08/1997	NA	NA	NA	NA	NA	NA	NA	20.48	6.83	13.65	NA	NA
S-3	01/15/1998	21000	300	51	770	2800	<100	NA	20.48	4.30	16.18	NA	NA
S-3 (D)	01/15/1998	14000	330	63	920	3400	<250	NA	20.48	NA	NA	NA	NA
S-3	04/14/1998	NA	NA	NA	NA	NA	NA	NA	20.48	4.37	16.11	NA	NA

WELL CONCENTRATIONS
Former Shell Service Station
15275 Washington Boulevard
San Leandro, CA

Well ID	Date	TPPH (ug/L)	B (ug/L)	T (ug/L)	E (ug/L)	X (ug/L)	MTBE 8020 (ug/L)	MTBE 8260 (ug/L)	TOC (MSL)	Depth to Water (ft.)	GW Elevation (MSL)	SPH Thickness (ft.)	DO Reading (ppm)
S-3	07/14/1998	NA	NA	NA	NA	NA	NA	NA	20.48	5.47	15.01	NA	NA
S-3	10/20/1998	Well inaccessible		NA	NA	NA	NA	NA	20.48	NA	NA	NA	NA
S-3	01/22/1999	40000	313	194	2200	8800	<40.0	NA	20.48	5.71	14.77	NA	NA
S-3	04/08/1999	NA	NA	NA	NA	NA	NA	NA	20.48	4.95	15.53	NA	NA
S-3	07/23/1999	NA	NA	NA	NA	NA	NA	NA	20.48	6.78	13.70	NA	NA
S-3	10/26/1999	NA	NA	NA	NA	NA	NA	NA	20.48	7.25	13.23	NA	NA
S-3	01/03/2000	39700	150	61.8	1690	7720	445	NA	20.48	7.46	13.02	NA	NA
S-3	04/14/2000	NA	NA	NA	NA	NA	NA	NA	20.48	5.64	14.84	NA	NA
S-3	07/12/2000	Well inaccessible		NA	NA	NA	NA	NA	20.48	NA	NA	NA	NA
S-3	11/01/2000	NA	NA	NA	NA	NA	NA	NA	20.48	6.72	13.76	NA	NA
S-3	01/03/2001	25000	89.0	<50.0	1270	5180	<250	NA	20.48	7.14	13.34	NA	NA
S-3	04/24/2001	Well inaccessible		NA	NA	NA	NA	NA	20.48	NA	NA	NA	NA
S-3	07/02/2001	NA	NA	NA	NA	NA	NA	NA	20.48	7.28	13.20	NA	3.2
S-3	11/02/2001	NA	NA	NA	NA	NA	NA	NA	20.48	7.64	12.84	NA	3.5
S-3	01/16/2002	Well inaccessible		NA	NA	NA	NA	NA	20.48	NA	NA	NA	NA
S-3	04/01/2002	NA	NA	NA	NA	NA	NA	NA	20.48	5.99	14.49	NA	3.8
S-3	07/11/2002	NA	NA	NA	NA	NA	NA	NA	20.48	7.21	13.27	NA	0.7
S-3	10/28/2002	NA	NA	NA	NA	NA	NA	NA	20.85	7.90	12.95	NA	e
S-3	01/23/2003	28000	60	13	970	3700	NA	<50	20.85	6.00	14.85	NA	0.3
S-3	04/30/2003	NA	NA	NA	NA	NA	NA	NA	20.85	5.34	15.51	NA	1.0
S-3	07/01/2003	NA	NA	NA	NA	NA	NA	NA	20.85	7.28	13.57	NA	1.0
S-3	10/08/2003	NA	NA	NA	NA	NA	NA	NA	20.85	7.63	13.22	NA	26.9
S-3	01/22/2004	3200	5.7	<2.5	16	320	NA	NA	20.85	6.53	14.32	NA	0.5
S-3	07/13/2004	Well inaccessible		NA	NA	NA	NA	NA	20.85	NA	NA	NA	NA
S-3	07/21/2004	3100	4.1	<2.5	10	130	NA	NA	20.85	7.64	13.21	NA	2.2
S-3	01/20/2005	93	<0.50	<0.50	1.3	1.8	NA	NA	20.85	5.78	15.07	NA	0.8
S-3	07/19/2005	<50	<0.50	<0.50	<0.50	<1.0	NA	NA	20.85	6.35	14.50	NA	NA
S-3	01/27/2006	<50.0	<0.500	<0.500	<0.500	<0.500	NA	NA	20.85	5.55	15.30	NA	NA

WELL CONCENTRATIONS
Former Shell Service Station
15275 Washington Boulevard
San Leandro, CA

Well ID	Date	TPPH (ug/L)	B (ug/L)	T (ug/L)	E (ug/L)	X (ug/L)	MTBE 8020 (ug/L)	MTBE 8260 (ug/L)	TOC (MSL)	Depth to Water (ft.)	GW Elevation (MSL)	SPH Thickness (ft.)	DO Reading (ppm)
---------	------	----------------	-------------	-------------	-------------	-------------	------------------------	------------------------	--------------	----------------------------	--------------------------	---------------------------	------------------------

S-3	07/25/2006	100	<1.00	<1.00	<1.00	<3.00	NA	NA	20.85	7.09	13.76	NA	NA
S-3	01/04/2007	<50	<0.50	<0.50	<0.50	<1.0	NA	NA	20.85	6.53	14.32	NA	NA

S-5	01/08/1987	7800	380	510	NA	1000	NA	NA	21.41	NA	NA	NA	NA
S-5	09/06/1988	7000	2600	60	400	700	NA	NA	21.41	NA	NA	NA	NA
S-5	11/16/1988	3000	660	60	120	220	NA	NA	21.41	NA	NA	NA	NA
S-5	02/27/1989	5700	2000	220	260	320	NA	NA	21.41	NA	NA	NA	NA
S-5	05/04/1989	9000	3000	600	630	1700	NA	NA	21.41	NA	NA	NA	NA
S-5	08/10/1989	5100	1100	<50	270	400	NA	NA	21.41	8.28	13.13	NA	NA
S-5	10/10/1989	15000	3300	160	830	2200	NA	NA	21.41	8.32	13.09	NA	NA
S-5	01/25/1990	12000	2400	360	570	1400	NA	NA	21.41	8.20	13.21	NA	NA
S-5	04/18/1990	5200	1100	40	300	460	NA	NA	21.41	8.32	13.09	NA	NA
S-5	07/23/1990	5500	1300	140	320	730	NA	NA	21.41	8.03	13.38	NA	NA
S-5	10/18/1990	12000	3200	40	720	900	NA	NA	21.41	9.03	12.38	NA	NA
S-5	01/28/1991	2550	410	15	110	60	NA	NA	21.41	8.80	12.61	NA	NA
S-5	04/25/1991	67000	5100	3100	2800	11000	NA	NA	21.41	7.40	14.01	NA	NA
S-5	07/09/1991	4900	480	36	360	1000	NA	NA	21.41	8.52	12.89	NA	NA
S-5	10/08/1991	6600	370	7.0	190	380	NA	NA	21.41	9.00	12.41	NA	NA
S-5	02/05/1992	44000	4800	850	2700	8400	NA	NA	21.41	8.11	13.30	NA	NA
S-5	04/28/1992	33000	1400	320	1600	5200	NA	NA	21.41	7.70	13.71	NA	NA
S-5	07/27/1992	20000	2400	<25	1800	2300	NA	NA	21.41	8.52	12.89	NA	NA
S-5	10/26/1992	21000	1600	140	1500	2800	NA	NA	21.41	9.02	12.39	NA	NA
S-5	01/14/1993	54000	1900	1000	2700	16000	NA	NA	21.41	5.22	16.19	NA	NA
S-5	04/16/1993	42000	2000	1300	4300	18000	NA	NA	21.41	7.04	14.37	NA	NA
S-5	07/23/1993	46000	2500	2200	3400	11000	NA	NA	21.41	7.75	13.66	NA	NA
S-5	10/27/1993	6500	990	31	1100	1000	NA	NA	21.41	8.49	12.92	NA	NA
S-5	01/27/1994	34000	1800	580	2900	9700	NA	NA	21.41	7.04	14.37	NA	NA
S-5	05/05/1994	24000	670	70	1400	2700	NA	NA	21.03	7.20	13.83	NA	NA

WELL CONCENTRATIONS
Former Shell Service Station
15275 Washington Boulevard
San Leandro, CA

Well ID	Date	TPPH (ug/L)	B (ug/L)	T (ug/L)	E (ug/L)	X (ug/L)	MTBE 8020 (ug/L)	MTBE 8260 (ug/L)	TOC (MSL)	Depth to Water (ft.)	GW Elevation (MSL)	SPH Thickness (ft.)	DO Reading (ppm)
S-5	07/27/1994	4700	193.6	33.1	332.3	281.2	NA	NA	21.03	7.72	13.31	NA	NA
S-5	10/28/1994	3200	167.3	18	238.7	104.5	NA	NA	21.03	7.82	13.21	NA	NA
S-5	01/02/1995	18000	1300	220	3400	10000	NA	NA	21.03	6.65	14.38	NA	NA
S-5	04/14/1995	NA	NA	NA	NA	NA	NA	NA	21.03	5.99	15.04	NA	NA
S-5	07/28/1995	25000	440	74	1700	4500	NA	NA	21.03	6.77	14.26	NA	NA
S-5 (D)	07/28/1995	25000	450	<50	1700	4600	NA	NA	21.03	NA	NA	NA	NA
S-5	10/17/1995	18000	360	24	1300	2200	NA	NA	21.03	7.00	14.03	NA	NA
S-5	01/11/1996	41000	420	180	1600	9500	<200	NA	21.03	6.22	14.81	NA	NA
S-5	04/02/1996	NA	NA	NA	NA	NA	NA	NA	21.03	5.44	15.59	NA	NA
S-5	07/09/1996	NA	NA	NA	NA	NA	NA	NA	21.03	6.41	14.62	NA	NA
S-5	10/10/1996	NA	NA	NA	NA	NA	NA	NA	21.03	7.19	13.84	NA	NA
S-5	01/09/1997	38000	130	43	160	6200	<125	NA	21.03	5.03	16.00	NA	NA
S-5 (D)	01/09/1997	36000	130	<50	160	5600	<250	NA	21.03	NA	NA	NA	NA
S-5	04/08/1997	NA	NA	NA	NA	NA	NA	NA	21.03	7.20	13.83	NA	NA
S-5	07/21/1997	NA	NA	NA	NA	NA	NA	NA	21.03	6.82	14.21	NA	NA
S-5	10/08/1997	NA	NA	NA	NA	NA	NA	NA	21.03	7.31	13.72	NA	NA
S-5	01/15/1998	49000	62	<50	93	4100	<250	NA	21.03	4.58	16.45	NA	NA
S-5	04/14/1998	NA	NA	NA	NA	NA	NA	NA	21.03	4.94	16.09	NA	NA
S-5	07/14/1998	NA	NA	NA	NA	NA	NA	NA	21.27	5.36	15.91	NA	NA
S-5	10/20/1998	NA	NA	NA	NA	NA	NA	NA	21.27	7.53	13.74	NA	NA
S-5	01/22/1999	2550	9.09	<0.500	1.93	112	4.40	NA	21.27	6.35	14.92	NA	NA
S-5	04/08/1999	NA	NA	NA	NA	NA	NA	NA	21.27	5.37	15.90	NA	NA
S-5	07/23/1999	NA	NA	NA	NA	NA	NA	NA	21.27	6.43	14.84	NA	NA
S-5	10/26/1999	NA	NA	NA	NA	NA	NA	NA	21.27	7.51	13.76	NA	NA
S-5	01/03/2000	3310	39.0	<10.0	293	21.7	<50.0	NA	21.27	7.78	13.49	NA	NA
S-5	04/14/2000	NA	NA	NA	NA	NA	NA	NA	21.27	6.15	15.12	NA	NA
S-5	07/12/2000	NA	NA	NA	NA	NA	NA	NA	21.27	7.05	14.22	NA	NA
S-5	11/01/2000	NA	NA	NA	NA	NA	NA	NA	21.27	6.00	15.27	NA	NA

WELL CONCENTRATIONS
Former Shell Service Station
15275 Washington Boulevard
San Leandro, CA

Well ID	Date	TPPH (ug/L)	B (ug/L)	T (ug/L)	E (ug/L)	X (ug/L)	MTBE 8020 (ug/L)	MTBE 8260 (ug/L)	TOC (MSL)	Depth to Water (ft.)	GW Elevation (MSL)	SPH Thickness (ft.)	DO Reading (ppm)
---------	------	----------------	-------------	-------------	-------------	-------------	------------------------	------------------------	--------------	----------------------------	--------------------------	---------------------------	------------------------

S-5	01/03/2001	516	3.65	0.968	18.0	4.02	18.4	NA	21.27	7.48	13.79	NA	NA
S-5	04/24/2001	NA	NA	NA	NA	NA	NA	NA	21.27	6.58	14.69	NA	NA
S-5	07/02/2001	NA	NA	NA	NA	NA	NA	NA	21.27	7.60	13.67	NA	NA
S-5	11/02/2001	NA	NA	NA	NA	NA	NA	NA	21.27	7.94	13.33	NA	NA
S-5	01/16/2002	<50	<0.50	<0.50	<0.50	<0.50	NA	<5.0	21.27	5.88	15.39	NA	NA
S-5	04/01/2002	NA	NA	NA	NA	NA	NA	NA	21.27	6.27	15.00	NA	NA
S-5	07/11/2002	NA	NA	NA	NA	NA	NA	NA	21.27	7.53	13.74	NA	NA
S-5	10/28/2002	NA	NA	NA	NA	NA	NA	NA	21.27	8.11	13.16	NA	NA
S-5	01/23/2003	<50	<0.50	<0.50	<0.50	<0.50	NA	<5.0	21.27	6.22	15.05	NA	NA
S-5	04/30/2003	NA	NA	NA	NA	NA	NA	NA	21.27	5.48	15.79	NA	NA
S-5	07/01/2003	NA	NA	NA	NA	NA	NA	NA	21.27	7.32	13.95	NA	NA
S-5	10/08/2003	NA	NA	NA	NA	NA	NA	NA	21.27	7.91	13.36	NA	NA
S-5	01/22/2004	<50	<0.50	<0.50	<0.50	<1.0	NA	NA	21.27	6.68	14.59	NA	NA
S-5	07/13/2004	NA	NA	NA	NA	NA	NA	NA	21.27	8.17	13.10	NA	NA
S-5	01/20/2005	<50	<0.50	<0.50	<0.50	<1.0	NA	NA	21.27	5.30	15.97	NA	NA
S-5	07/19/2005	NA	NA	NA	NA	NA	NA	NA	21.27	6.35	14.92	NA	NA
S-5	01/27/2006	<50.0	<0.500	<0.500	<0.500	<0.500	NA	NA	21.27	5.83	15.44	NA	NA
S-5	07/25/2006	NA	NA	NA	NA	NA	NA	NA	21.27	7.35	13.92	NA	NA
S-5	01/04/2007	<50	<0.50	<0.50	<0.50	<1.0	NA	NA	21.27	6.82	14.45	NA	NA

S-6	11/16/1988	50	0.7	<1	<1	<3	NA	NA	22.02	8.58	13.44	NA	NA
S-6	02/27/1989	<50	<0.5	<1	<1	<3	NA	NA	22.02	NA	NA	NA	NA
S-6	05/04/1989	<50	<0.5	<1	<1	<3	NA	NA	22.02	NA	NA	NA	NA
S-6	08/10/1989	<50	<0.5	<1	<1	<3	NA	NA	22.02	8.54	13.48	NA	NA
S-6	10/10/1989	<50	<0.5	<1	<1	<3	NA	NA	22.02	8.58	13.44	NA	NA
S-6	01/25/1990	<50	<0.5	<0.5	<0.5	<1	NA	NA	22.02	8.31	13.71	NA	NA
S-6	04/18/1990	<50	<0.5	0.6	<0.5	1.0	NA	NA	22.02	8.43	13.59	NA	NA
S-6	07/23/1990	<50	<0.5	0.9	<0.5	1.8	NA	NA	22.02	8.24	13.78	NA	NA

WELL CONCENTRATIONS
Former Shell Service Station
15275 Washington Boulevard
San Leandro, CA

Well ID	Date	TPPH (ug/L)	B (ug/L)	T (ug/L)	E (ug/L)	X (ug/L)	MTBE 8020 (ug/L)	MTBE 8260 (ug/L)	TOC (MSL)	Depth to Water (ft.)	GW Elevation (MSL)	SPH Thickness (ft.)	DO Reading (ppm)
S-6	10/18/1990	<50	<0.5	0.7	<0.5	0.8	NA	NA	22.02	9.20	12.82	NA	NA
S-6	01/28/1991	<50	<0.5	<0.5	<0.5	<0.5	NA	NA	22.02	9.10	12.92	NA	NA
S-6	04/25/1991	<50	<0.5	<0.5	<0.5	0.7	NA	NA	22.02	7.74	14.28	NA	NA
S-6	07/09/1991	<50	<0.5	<0.5	<0.5	<0.5	NA	NA	22.02	8.81	13.21	NA	NA
S-6	10/08/1991	<50	0.7	<0.5	<0.5	<0.5	NA	NA	22.02	9.26	12.76	NA	NA
S-6	02/02/1992	NA	NA	NA	NA	NA	NA	NA	22.02	8.47	13.55	NA	NA
S-6	04/28/1992	<50	<0.5	<0.5	<0.5	<0.5	NA	NA	22.02	7.91	14.11	NA	NA
S-6	07/27/1992	NA	NA	NA	NA	NA	NA	NA	22.02	8.83	13.19	NA	NA
S-6	10/26/1992	<50	<0.5	<0.5	<0.5	<0.5	NA	NA	22.02	9.29	12.73	NA	NA
S-6	01/13/1994	NA	NA	NA	NA	NA	NA	NA	22.02	9.43	12.59	NA	NA
S-6	04/16/1993	<50	<0.5	<0.5	<0.5	<0.5	NA	NA	22.02	7.12	14.90	NA	NA
S-6	07/23/1993	NA	NA	NA	NA	NA	NA	NA	22.02	8.14	13.88	NA	NA
S-6	10/27/1993	<50	<0.5	<0.5	<0.5	<0.5	NA	NA	22.02	8.75	13.27	NA	NA
S-6	01/27/1994	NA	NA	NA	NA	NA	NA	NA	22.02	7.87	14.15	NA	NA
S-6	05/05/1994	<50	<0.5	<0.5	<0.5	<0.5	NA	NA	21.40	7.71	13.69	NA	NA
S-6	07/26/1994	NA	NA	NA	NA	NA	NA	NA	21.40	8.10	13.30	NA	NA
S-6	10/28/1994	<50	<0.3	<0.3	<0.3	<0.6	NA	NA	21.40	8.04	13.36	NA	NA
S-6	01/02/1995	NA	NA	NA	NA	NA	NA	NA	21.40	7.07	14.33	NA	NA
S-6	04/14/1995	<50	<0.5	1.3	<0.5	<0.5	NA	NA	21.40	6.29	15.11	NA	NA
S-6	07/28/1995	NA	NA	NA	NA	NA	NA	NA	21.40	6.91	14.49	NA	NA
S-6	10/17/1995	<50	<0.5	<0.5	<0.5	<0.5	NA	NA	21.40	7.20	14.20	NA	NA
S-6	01/11/1996	NA	NA	NA	NA	NA	NA	NA	21.40	6.60	14.80	NA	NA
S-6	01/22/2004	Unable to locate		NA	NA	NA	NA	NA	21.40	NA	NA	NA	NA
S-7	11/16/1988	100	5.1	15	2.0	13	NA	NA	21.47	8.24	13.23	NA	NA
S-7	02/27/1989	50	0.5	3.0	1.0	11	NA	NA	21.47	NA	NA	NA	NA
S-7	05/04/1989	<50	<0.5	<1	<1	<3	NA	NA	21.47	NA	NA	NA	NA
S-7	08/10/1989	<50	<0.5	<1	<1	<3	NA	NA	21.47	8.18	13.29	NA	NA

WELL CONCENTRATIONS
Former Shell Service Station
15275 Washington Boulevard
San Leandro, CA

Well ID	Date	TPPH (ug/L)	B (ug/L)	T (ug/L)	E (ug/L)	X (ug/L)	MTBE 8020 (ug/L)	MTBE 8260 (ug/L)	TOC (MSL)	Depth to Water (ft.)	GW Elevation (MSL)	SPH Thickness (ft.)	DO Reading (ppm)
S-7	10/10/1989	<50	<0.5	<1	<1	<3	NA	NA	21.47	8.35	13.12	NA	NA
S-7	01/25/1990	<50	<0.5	<0.5	<0.5	<1	NA	NA	21.47	7.95	13.52	NA	NA
S-7	04/18/1990	<50	<0.5	<0.5	<0.5	<1	NA	NA	21.47	8.06	13.41	NA	NA
S-7	07/23/1990	<50	<0.5	<0.5	<0.5	<0.5	NA	NA	21.47	7.89	13.58	NA	NA
S-7	10/18/1990	<50	<0.5	0.5	0.5	4.1	NA	NA	21.47	8.83	12.64	NA	NA
S-7	01/28/1991	<50	<0.5	<0.5	<0.5	<0.5	NA	NA	21.47	8.77	12.70	NA	NA
S-7	04/25/1991	60	<0.5	<0.5	<0.5	<0.5	NA	NA	21.47	7.25	14.22	NA	NA
S-7	07/09/1991	<50	<0.5	<0.5	<0.5	<0.5	NA	NA	21.47	8.41	13.06	NA	NA
S-7	10/08/1991	NA	NA	NA	NA	NA	NA	NA	21.47	8.95	12.52	NA	NA
S-7	02/05/1992	<50	<0.5	<0.5	<0.5	<0.5	NA	NA	21.47	8.04	13.43	NA	NA
S-7	10/08/1991	<50	<0.5	<0.5	<0.5	<0.5	NA	NA	21.47	8.95	12.52	NA	NA
S-7	04/28/1992	<50	<0.5	<0.5	<0.5	<0.5	NA	NA	21.47	7.45	14.02	NA	NA
S-7	07/27/1992	<50	<0.5	<0.5	<0.5	<0.5	NA	NA	21.47	8.48	12.99	NA	NA
S-7	10/26/1992	570	<0.5	<0.5	<0.5	<0.5	NA	NA	21.47	9.95	11.52	NA	NA
S-7	01/14/1993	56	<0.5	<0.5	<0.5	<0.5	NA	NA	21.47	5.84	15.63	NA	NA
S-7	04/16/1993	110	28	<0.5	<0.5	1.8	NA	NA	21.47	6.38	15.09	NA	NA
S-7	07/23/1993	80	0.48	<0.5	<0.5	0.8	NA	NA	21.47	7.72	13.75	NA	NA
S-7	10/27/1993	<50	<0.5	<0.5	<0.5	<0.5	NA	NA	21.47	7.79	13.68	NA	NA
S-7	01/27/1994	70a	<0.5	<0.5	<0.5	<0.5	NA	NA	21.47	7.85	13.62	NA	NA
S-7	05/05/1994	92	2.1	<0.5	<0.5	<0.5	NA	NA	20.85	9.45	11.40	NA	NA
S-7	07/26/1994	88	<0.3	<0.3	<0.3	<0.6	NA	NA	20.85	7.64	13.21	NA	NA
S-7	10/28/1994	60	<0.3	0.5	<0.3	<0.6	NA	NA	20.85	7.68	13.17	NA	NA
S-7	01/02/1995	<50	<0.5	<0.5	<0.5	<0.5	NA	NA	20.85	6.95	13.90	NA	NA
S-7	04/14/1995	NA	NA	NA	NA	NA	NA	NA	20.85	5.82	15.03	NA	NA
S-7	07/28/1995	170	1.7	<0.5	<0.5	2.2	NA	NA	20.85	6.32	14.53	NA	NA
S-7	10/17/1995	100	<0.5	0.6	<0.5	<0.5	NA	NA	20.85	7.07	13.78	NA	NA
S-7	01/11/1996	80	0.6	<0.5	<0.5	<0.5	54	NA	20.85	6.10	14.75	NA	NA
S-7	04/02/1996	NA	NA	NA	NA	NA	NA	NA	20.85	6.14	14.71	NA	NA

WELL CONCENTRATIONS
Former Shell Service Station
15275 Washington Boulevard
San Leandro, CA

Well ID	Date	TPPH (ug/L)	B (ug/L)	T (ug/L)	E (ug/L)	X (ug/L)	MTBE 8020 (ug/L)	MTBE 8260 (ug/L)	TOC (MSL)	Depth to Water (ft.)	GW Elevation (MSL)	SPH Thickness (ft.)	DO Reading (ppm)
S-7	07/09/1996	NA	NA	NA	NA	NA	NA	NA	20.85	6.40	14.45	NA	NA
S-7	10/10/1996	NA	NA	NA	NA	NA	NA	NA	20.85	6.70	14.15	NA	NA
S-7	01/09/1997	130	1.4	<0.50	<0.50	0.56	70	NA	20.85	5.25	15.60	NA	NA
S-7	04/08/1997	NA	NA	NA	NA	NA	NA	NA	20.85	7.15	13.70	NA	NA
S-7	07/21/1997	NA	NA	NA	NA	NA	NA	NA	20.85	6.67	14.18	NA	NA
S-7	10/08/1997	NA	NA	NA	NA	NA	NA	NA	20.85	7.26	13.59	NA	NA
S-7	01/15/1998	<50	<0.50	<0.50	<0.50	<0.50	39	NA	20.85	5.51	15.34	NA	NA
S-7	04/14/1998	NA	NA	NA	NA	NA	NA	NA	20.85	5.45	15.40	NA	NA
S-7	07/14/1998	NA	NA	NA	NA	NA	NA	NA	21.03	6.48	14.55	NA	NA
S-7	10/20/1998	NA	NA	NA	NA	NA	NA	NA	21.03	7.37	13.66	NA	NA
S-7	01/22/1999	<50.0	<0.500	<0.500	<0.500	<0.500	97.8	NA	21.03	6.21	14.82	NA	NA
S-7	04/08/1999	NA	NA	NA	NA	NA	NA	NA	21.03	5.30	15.73	NA	NA
S-7	07/23/1999	NA	NA	NA	NA	NA	NA	NA	21.03	7.12	13.91	NA	NA
S-7	10/26/1999	NA	NA	NA	NA	NA	NA	NA	21.03	7.54	13.49	NA	NA
S-7	01/03/2000	615	8.73	2.90	4.00	7.17	17.0	NA	21.03	7.73	13.30	NA	NA
S-7	04/14/2000	NA	NA	NA	NA	NA	NA	NA	21.03	6.27	14.76	NA	NA
S-7	07/12/2000	NA	NA	NA	NA	NA	NA	NA	21.03	6.97	14.06	NA	NA
S-7	11/01/2000	NA	NA	NA	NA	NA	NA	NA	21.03	6.43	14.60	NA	NA
S-7	01/03/2001	460	6.68	<0.500	0.712	0.596	10.2	NA	21.03	7.27	13.76	NA	NA
S-7	04/24/2001	NA	NA	NA	NA	NA	NA	NA	21.03	6.75	14.28	NA	NA
S-7	07/02/2001	NA	NA	NA	NA	NA	NA	NA	21.03	7.55	13.48	NA	NA
S-7	11/02/2001	NA	NA	NA	NA	NA	NA	NA	21.03	7.80	13.23	NA	NA
S-7	01/16/2002	360	<0.50	<0.50	<0.50	<0.50	NA	<5.0	21.03	6.11	14.92	NA	NA
S-7	04/01/2002	NA	NA	NA	NA	NA	NA	NA	21.03	6.54	14.49	NA	NA
S-7	07/11/2002	NA	NA	NA	NA	NA	NA	NA	21.03	7.37	13.66	NA	NA
S-7	10/28/2002	NA	NA	NA	NA	NA	NA	NA	21.01	7.97	13.04	NA	NA
S-7	01/23/2003	160	<0.50	<0.50	<0.50	<0.50	NA	<5.0	21.01	6.45	14.56	NA	NA
S-7	04/30/2003	NA	NA	NA	NA	NA	NA	NA	21.01	6.14	14.87	NA	NA

WELL CONCENTRATIONS
Former Shell Service Station
15275 Washington Boulevard
San Leandro, CA

Well ID	Date	TPPH (ug/L)	B (ug/L)	T (ug/L)	E (ug/L)	X (ug/L)	MTBE 8020 (ug/L)	MTBE 8260 (ug/L)	TOC (MSL)	Depth to Water (ft.)	GW Elevation (MSL)	SPH Thickness (ft.)	DO Reading (ppm)
S-7	07/01/2003	NA	NA	NA	NA	NA	NA	NA	21.01	7.28	13.73	NA	NA
S-7	10/08/2003	NA	NA	NA	NA	NA	NA	NA	21.01	7.78	13.23	NA	NA
S-7	01/22/2004	140	<0.50	<0.50	0.51	<1.0	NA	NA	21.01	6.93	14.08	NA	NA
S-7	07/13/2004	150	<0.50	<0.50	<0.50	<1.0	NA	17	21.01	7.88	13.13	NA	NA
S-7	01/20/2005	200 a	<0.50	<0.50	<0.50	<1.0	NA	NA	21.01	5.68	15.33	NA	NA
S-7	07/19/2005	140 a	<0.50	<0.50	<0.50	<1.0	NA	NA	21.01	6.18	14.83	NA	NA
S-7	01/27/2006	69.8	<0.500	<0.500	<0.500	<0.500	NA	NA	21.01	6.11	14.90	NA	NA
S-7	07/25/2006	78.6	<1.00	<1.00	<1.00	<3.00	NA	NA	21.01	7.01	14.00	NA	NA
S-7	01/04/2007	<50	<0.50	<0.50	<0.50	<1.0	NA	NA	21.01	6.70	14.31	NA	NA

S-8	11/16/1988	210	5.0	<1	1.0	5.0	NA	NA	20.72	7.76	12.96	NA	NA
S-8	02/27/1989	<50	2.4	<1	<1	<3	NA	NA	20.72	NA	NA	NA	NA
S-8	05/04/1989	<50	7.5	<1	2.0	<3	NA	NA	20.72	NA	NA	NA	NA
S-8	08/10/1989	<50	0.6	<1	<1	<3	NA	NA	20.72	7.79	12.93	NA	NA
S-8	10/10/1989	<50	<0.5	<1	<1	<3	NA	NA	20.72	7.84	12.88	NA	NA
S-8	01/25/1990	<50	<0.5	<0.5	<0.5	<1	NA	NA	20.72	7.47	13.25	NA	NA
S-8	04/18/1990	<50	<0.5	<0.5	<0.5	<1	NA	NA	20.72	7.59	13.13	NA	NA
S-8	07/23/1990	<50	<0.5	<0.5	<0.5	<0.5	NA	NA	20.72	7.49	13.23	NA	NA
S-8	10/18/1990	<50	<0.5	<0.5	<0.5	<0.5	NA	NA	20.72	8.44	12.28	NA	NA
S-8	01/28/1991	<50	55	0.5	<0.5	1.4	NA	NA	20.72	8.28	12.44	NA	NA
S-8	04/25/1991	130a	19	<0.5	1.3	1.1	NA	NA	20.72	6.72	14.00	NA	NA
S-8	07/09/1991	200	33	<0.5	1.8	2.8	NA	NA	20.72	7.98	12.74	NA	NA
S-8	10/08/1991	580	95	2.2	4.9	6.5	NA	NA	20.72	8.55	12.17	NA	NA
S-8	02/05/1992	90a	18	<0.5	6.2	1.8	NA	NA	20.72	7.50	13.22	NA	NA
S-8	04/28/1992	<50	5.9	<0.5	2.5	<0.5	NA	NA	20.72	7.14	13.58	NA	NA
S-8	07/27/1992	<50	<0.5	<0.5	<0.5	<0.5	NA	NA	20.72	8.06	12.66	NA	NA
S-8	10/26/1992	<50	<0.5	<0.5	<0.5	<0.5	NA	NA	20.72	8.58	12.14	NA	NA
S-8	01/14/1993	270	74	0.9	25	5.5	NA	NA	20.72	5.32	15.40	NA	NA

WELL CONCENTRATIONS
Former Shell Service Station
15275 Washington Boulevard
San Leandro, CA

Well ID	Date	TPPH (ug/L)	B (ug/L)	T (ug/L)	E (ug/L)	X (ug/L)	MTBE 8020 (ug/L)	MTBE 8260 (ug/L)	TOC (MSL)	Depth to Water (ft.)	GW Elevation (MSL)	SPH Thickness (ft.)	DO Reading (ppm)
S-8	04/16/1993	1100	420	<0.5	200	20	NA	NA	20.72	5.76	14.96	NA	NA
S-8	07/23/1993	160	23	<0.5	1.2	1.5	NA	NA	20.72	7.29	13.43	NA	NA
S-8	10/27/1993	420	650	0.7	11	1.7	NA	NA	20.72	7.93	12.79	NA	NA
S-8	01/27/1994	290	65	<1	6.9	2.4	NA	NA	20.72	6.31	14.41	NA	NA
S-8	05/05/1994	120	13	<0.5	<0.5	<0.5	NA	NA	20.32	6.84	13.48	NA	NA
S-8	07/26/1994	115	12.2	1.3	<0.3	2.7	NA	NA	20.32	7.42	12.90	NA	NA
S-8	10/28/1994	733	75.9	3.2	4.9	4.2	NA	NA	20.32	7.56	12.76	NA	NA
S-8	01/02/1995	290	54	<0.5	10	<0.5	NA	NA	20.32	6.19	14.13	NA	NA
S-8	04/14/1995	230	68	<0.5	10	2.4	NA	NA	20.32	5.54	14.78	NA	NA
S-8	07/28/1995	290	44	<0.5	8.0	<0.5	NA	NA	20.32	6.28	14.04	NA	NA
S-8	10/17/1995	190	24	<0.5	1.0	0.9	NA	NA	20.32	6.64	13.68	NA	NA
S-8	01/11/1996	400	85	1.1	13	3.4	2.3	NA	20.32	5.96	14.36	NA	NA
S-8	04/02/1996	300	110	0.7	4.9	0.9	<2	NA	20.32	5.21	15.11	NA	NA
S-8	07/09/1996	<50	5.4	<0.50	0.63	<0.50	<2.5	NA	20.32	6.05	14.27	NA	NA
S-8	10/10/1996	150	0.53	0.66	2.3	1.0	8.9	NA	20.32	6.83	13.49	NA	NA
S-8	01/09/1997	240	27	<0.50	2.4	<0.50	5.8	NA	20.32	4.51	15.81	NA	NA
S-8	04/08/1997	220	27	0.62	1.9	0.71	5.7	NA	20.32	6.50	13.82	NA	NA
S-8	07/21/1997	1200	140	2.8	21	5.0	27	NA	20.32	6.36	13.96	NA	NA
S-8 (D)	07/21/1997	1200	120	<2.0	19	3.9	25	NA	20.32	NA	NA	NA	NA
S-8	10/08/1997	690	92	1.4	25	2.0	<2.5	NA	20.32	6.83	13.49	NA	NA
S-8 (D)	10/08/1997	700	95	1.3	26	1.9	<2.5	NA	20.32	NA	NA	NA	NA
S-8	01/15/1998	460	110	1.0	3.4	1.7	<5.0	NA	20.32	4.30	16.02	NA	NA
S-8	04/14/1998	780	190	2.9	15	3.4	<2.5	NA	20.32	4.68	15.64	NA	NA
S-8	07/14/1998	1600	240	<5.0	36	<5.0	<25	NA	20.36	6.36	14.00	NA	NA
S-8	10/20/1998	700	55	<5.0	<5.0	<5.0	49	NA	20.36	6.91	13.45	NA	NA
S-8	01/22/1999	<50.0	5.83	<0.500	0.919	<0.500	<2.00	NA	20.36	5.97	14.39	NA	NA
S-8	04/08/1999	684	10.6	1.3	9.75	1.0	10.5	NA	20.36	5.01	15.35	NA	NA
S-8	07/23/1999	1540	86.5	5.20	5.30	6.35	<25.0	NA	20.36	6.61	13.75	NA	NA

WELL CONCENTRATIONS
Former Shell Service Station
15275 Washington Boulevard
San Leandro, CA

Well ID	Date	TPPH (ug/L)	B (ug/L)	T (ug/L)	E (ug/L)	X (ug/L)	MTBE 8020 (ug/L)	MTBE 8260 (ug/L)	TOC (MSL)	Depth to Water (ft.)	GW Elevation (MSL)	SPH Thickness (ft.)	DO Reading (ppm)
S-8	10/26/1999	1680	116	<2.50	22.4	5.58	<12.5	NA	20.36	6.95	13.41	NA	NA
S-8	01/03/2000	Well inaccessible		NA	NA	NA	NA	NA	20.36	NA	NA	NA	NA
S-8	04/14/2000	Well inaccessible		NA	NA	NA	NA	NA	20.36	NA	NA	NA	NA
S-8	07/12/2000	Well inaccessible		NA	NA	NA	NA	NA	20.36	NA	NA	NA	NA
S-8	11/01/2000	2300	118	12.4	51.7	<2.50	<12.5	NA	20.36	5.68	14.68	NA	NA
S-8	01/03/2001	263	4.34	0.620	<0.500	0.643	5.40	NA	20.36	6.95	13.41	NA	NA
S-8	04/24/2001	680	12	<0.50	0.86	<0.50	NA	<0.50	20.36	6.25	14.11	NA	NA
S-8	07/02/2001	330	2.5	<0.50	0.86	<0.50	NA	<5.0	20.36	7.00	13.36	NA	NA
S-8	11/02/2001	1300	71	0.84	14	1.7	NA	<5.0	20.36	7.44	12.92	NA	NA
S-8	01/16/2002	<50	<0.50	<0.50	<0.50	<0.50	NA	<5.0	20.36	5.67	14.69	NA	NA
S-8	04/01/2002	330	2.2	<0.50	<0.50	<0.50	NA	<5.0	20.36	5.99	14.37	NA	NA
S-8	07/11/2002	1400	55	0.83	5.3	0.71	NA	<5.0	20.36	6.94	13.42	NA	NA
S-8	10/28/2002	660	6.2	0.63	0.76	<0.50	NA	<0.50	20.36	7.50	12.86	NA	1.1
S-8	01/23/2003	1600	30	0.56	6.7	<0.50	NA	<5.0	20.36	5.99	14.37	NA	NA
S-8	04/30/2003	890	13	<0.50	0.59	<1.0	NA	<5.0	20.36	5.30	15.06	NA	NA
S-8	07/01/2003	1800	68	1.3	2.6	1.2	NA	<0.50	20.36	6.87	13.49	NA	1.0
S-8	10/08/2003	220	1.3	<0.50	<0.50	<1.0	NA	<0.50	20.36	7.27	13.09	NA	NA
S-8	01/22/2004	1000	6.7	<0.50	0.61	<1.0	NA	NA	20.36	6.50	13.86	NA	NA
S-8	07/13/2004	2000	100	1.7	5.7	<2.0	NA	<1.0	20.36	7.41	12.95	NA	NA
S-8	01/20/2005	380	4.3	<0.50	<0.50	<1.0	NA	NA	20.36	5.02	15.34	NA	NA
S-8	07/19/2005	120	1.2	<0.50	<0.50	<1.0	NA	NA	20.36	5.82	14.54	NA	NA
S-8	01/27/2006	494	2.42	<0.500	<0.500	<0.500	NA	NA	20.36	5.51	14.85	NA	NA
S-8	07/25/2006	382	2.05	<1.00	<1.00	<3.00	NA	NA	20.36	6.66	13.70	NA	NA
S-8	01/04/2007	<50	<0.50	<0.50	<0.50	<1.0	NA	NA	20.36	6.13	14.23	NA	NA
S-9	11/16/1988	1400	69	3.0	52	180	NA	NA	20.96	7.78	13.18	NA	NA
S-9	02/27/1989	1600	240	4.0	130	180	NA	NA	20.96	NA	NA	NA	NA
S-9	05/04/1989	2600	470	10	240	480	NA	NA	20.96	NA	NA	NA	NA

WELL CONCENTRATIONS
Former Shell Service Station
15275 Washington Boulevard
San Leandro, CA

Well ID	Date	TPPH (ug/L)	B (ug/L)	T (ug/L)	E (ug/L)	X (ug/L)	MTBE 8020 (ug/L)	MTBE 8260 (ug/L)	TOC (MSL)	Depth to Water (ft.)	GW Elevation (MSL)	SPH Thickness (ft.)	DO Reading (ppm)
S-1	07/08/1985	520	NA	NA	NA	NA	NA	NA	21.55	NA	NA	NA	NA
S-1	09/06/1988	<50	<0.5	<1	<1	<0.3	NA	NA	21.55	NA	NA	NA	NA
S-1	11/16/1988	<50	<0.5	<1	<1	<0.3	NA	NA	21.55	8.01	13.54	NA	NA
S-1	02/27/1989	<50	0.5	<1	<1	<0.3	NA	NA	21.55	NA	NA	NA	NA
S-1	05/04/1989	<50	1.0	<1	<1	<0.3	NA	NA	21.55	NA	NA	NA	NA
S-1	08/10/1989	<50	0.7	<1	<1	<0.3	NA	NA	21.55	7.93	13.62	NA	NA
S-1	10/10/1989	<50	<0.5	<1	<1	<0.3	NA	NA	21.55	8.09	13.46	NA	NA
S-1	01/25/1990	<50	<0.5	<0.5	<0.5	<1	NA	NA	21.55	7.73	13.82	NA	NA
S-1	04/18/1990	<50	<0.5	<0.5	<0.5	<1	NA	NA	21.55	7.91	13.64	NA	NA
S-1	07/23/1990	<50	<0.5	<0.5	<0.5	<0.5	NA	NA	21.55	7.72	13.83	NA	NA
S-1	10/18/1990	80	5	<0.5	<0.5	3.0	NA	NA	21.55	8.55	13.00	NA	NA
S-1	01/28/1991	<50	4.5	<0.5	<0.5	2.0	NA	NA	21.55	8.52	13.03	NA	NA
S-1	04/25/1991	80a	3.7	<0.5	0.7	2.0	NA	NA	21.55	7.18	14.37	NA	NA
S-1	07/09/1991	200	16	<0.5	1.3	5.8	NA	NA	21.55	8.22	13.33	NA	NA
S-1	10/08/1991	<50	2.3	<0.5	<0.5	<0.5	NA	NA	21.55	8.70	12.85	NA	NA
S-1	02/05/1992	160	8.9	<0.5	2.1	6.0	NA	NA	21.55	8.14	13.41	NA	NA
S-1	04/28/1992	<50	2.4	<0.5	<0.5	0.9	NA	NA	21.55	7.52	14.03	NA	NA
S-1	07/27/1992	<50	<0.5	<0.5	<0.5	<0.5	NA	NA	21.55	8.28	13.27	NA	NA
S-1	10/26/1992	57	3.0	1.6	1.4	1.7	NA	NA	21.55	8.74	12.81	NA	NA
S-1	01/14/1993	490	53	1.2	20	33	NA	NA	21.55	5.91	15.64	NA	NA
S-1	04/16/1993	240	20	<0.5	15	240	NA	NA	21.55	6.66	14.89	NA	NA
S-1	07/23/1993	<50	0.5	<0.5	<0.5	<0.5	NA	NA	21.55	7.53	14.02	NA	NA
S-1	10/27/1993	60	5.9	<0.5	2.5	1.7	NA	NA	21.55	8.20	13.35	NA	NA
S-1	01/27/1994	<50	2.1	<0.5	<0.5	0.63	NA	NA	21.55	7.26	14.29	NA	NA
S-1	05/05/1994	57	3.9	<0.5	1.9	1.9	NA	NA	21.27	7.38	13.89	NA	NA
S-1	07/26/1994	<50	2.2	<0.3	<0.3	<0.6	NA	NA	21.27	7.86	13.41	NA	NA
S-1	10/28/1994	<50	0.8	<0.3	<0.3	0.8	NA	NA	21.27	7.86	13.41	NA	NA
S-1	01/02/1995	<50	<0.5	<0.5	<0.5	<0.5	NA	NA	21.27	6.85	14.42	NA	NA

WELL CONCENTRATIONS
Former Shell Service Station
15275 Washington Boulevard
San Leandro, CA

Well ID	Date	TPPH (ug/L)	B (ug/L)	T (ug/L)	E (ug/L)	X (ug/L)	MTBE 8020 (ug/L)	MTBE 8260 (ug/L)	TOC (MSL)	Depth to Water (ft.)	GW Elevation (MSL)	SPH Thickness (ft.)	DO Reading (ppm)
S-1	04/14/1995	NA	NA	NA	NA	NA	NA	NA	21.27	6.08	15.19	NA	NA
S-1	07/28/1995	60	2.2	<0.5	1.3	1.2	NA	NA	21.27	6.79	14.48	NA	NA
S-1	10/17/1995	60	2.6	<0.5	1.2	1.3	NA	NA	21.27	7.04	14.23	NA	NA
S-1	01/11/1996	<50	2.0	<0.5	<0.5	<0.5	<2	NA	21.27	6.40	14.87	NA	NA
S-1	04/02/1996	NA	NA	NA	NA	NA	NA	NA	21.27	5.84	15.43	NA	NA
S-1	07/09/1996	NA	NA	NA	NA	NA	NA	NA	21.27	6.50	14.77	NA	NA
S-1	10/10/1996	NA	NA	NA	NA	NA	NA	NA	21.27	7.31	13.96	NA	NA
S-1	01/09/1997	<50	<0.50	<0.50	<0.50	<0.50	6.7	NA	21.27	5.50	15.77	NA	NA
S-1	04/08/1997	NA	NA	NA	NA	NA	NA	NA	21.27	7.03	14.24	NA	NA
S-1	07/21/1997	NA	NA	NA	NA	NA	NA	NA	21.27	7.00	14.27	NA	NA
S-1	10/08/1997	NA	NA	NA	NA	NA	NA	NA	21.27	7.51	13.76	NA	NA
S-1	01/15/1998	420	16	<0.50	4.6	3.9	26	NA	21.27	5.43	15.84	NA	NA
S-1	04/14/1998	NA	NA	NA	NA	NA	NA	NA	21.27	5.55	15.72	NA	NA
S-1	07/14/1998	NA	NA	NA	NA	NA	NA	NA	21.33	6.38	14.95	NA	NA
S-1	10/20/1998	NA	NA	NA	NA	NA	NA	NA	21.33	7.48	13.85	NA	NA
S-1	01/22/1999	<50.0	<0.500	<0.500	<0.500	<0.500	2.53	NA	21.33	6.37	14.96	NA	NA
S-1	04/08/1999	NA	NA	NA	NA	NA	NA	NA	21.33	5.93	15.40	NA	NA
S-1	07/23/1999	NA	NA	NA	NA	NA	NA	NA	21.33	7.20	14.13	NA	NA
S-1	10/26/1999	NA	NA	NA	NA	NA	NA	NA	21.33	7.61	13.72	NA	NA
S-1	01/03/2000	<50.0	<0.500	<0.500	<0.500	<0.500	4.73	NA	21.33	7.76	13.57	NA	NA
S-1	04/14/2000	NA	NA	NA	NA	NA	NA	NA	21.33	6.35	14.98	NA	NA
S-1	07/12/2000	NA	NA	NA	NA	NA	NA	NA	21.33	7.05	14.28	NA	NA
S-1	11/01/2000	NA	NA	NA	NA	NA	NA	NA	21.33	6.51	14.82	NA	NA
S-1	01/03/2001	<50.0	<0.500	<0.500	<0.500	<0.500	<2.50	NA	21.33	7.49	13.84	NA	NA
S-1	04/24/2001	NA	NA	NA	NA	NA	NA	NA	21.33	6.85	14.48	NA	NA
S-1	07/02/2001	NA	NA	NA	NA	NA	NA	NA	21.33	7.65	13.68	NA	NA
S-1	11/02/2001	NA	NA	NA	NA	NA	NA	NA	21.33	7.84	13.49	NA	NA
S-1	01/16/2002	<50	<0.50	<0.50	<0.50	<0.50	NA	<5.0	21.33	6.16	15.17	NA	NA

WELL CONCENTRATIONS
Former Shell Service Station
15275 Washington Boulevard
San Leandro, CA

Well ID	Date	TPPH (ug/L)	B (ug/L)	T (ug/L)	E (ug/L)	X (ug/L)	MTBE 8020 (ug/L)	MTBE 8260 (ug/L)	TOC (MSL)	Depth to Water (ft.)	GW Elevation (MSL)	SPH Thickness (ft.)	DO Reading (ppm)
---------	------	----------------	-------------	-------------	-------------	-------------	------------------------	------------------------	--------------	----------------------------	--------------------------	---------------------------	------------------------

S-1	04/01/2002	NA	NA	NA	NA	NA	NA	NA	21.33	6.57	14.76	NA	NA
S-1	07/11/2002	NA	NA	NA	NA	NA	NA	NA	21.33	7.52	13.81	NA	NA
S-1	10/28/2002	NA	NA	NA	NA	NA	NA	NA	21.33	7.99	13.34	NA	NA
S-1	01/23/2003	<50	<0.50	<0.50	<0.50	<0.50	NA	5.6	21.33	6.46	14.87	NA	NA
S-1	04/30/2003	NA	NA	NA	NA	NA	NA	NA	21.33	6.18	15.15	NA	NA
S-1	07/01/2003	NA	NA	NA	NA	NA	NA	NA	21.33	7.38	13.95	NA	NA
S-1	10/08/2003	NA	NA	NA	NA	NA	NA	NA	21.33	7.87	13.46	NA	NA
S-1	01/22/2004	<50	<0.50	<0.50	<0.50	<1.0	NA	NA	21.33	6.90	14.43	NA	NA
S-1	07/13/2004	NA	NA	NA	NA	NA	NA	NA	21.33	7.83	13.50	NA	NA
S-1	01/20/2005	<50	<0.50	<0.50	<0.50	<1.0	NA	NA	21.33	5.68	15.65	NA	NA
S-1	07/19/2005	NA	NA	NA	NA	NA	NA	NA	21.33	6.35	14.98	NA	NA
S-1	01/27/2006	<50.0	<0.500	<0.500	<0.500	<0.500	NA	NA	21.33	6.05	15.28	NA	NA
S-1	07/25/2006	NA	NA	NA	NA	NA	NA	NA	21.33	7.12	14.21	NA	NA
S-1	01/04/2007	<50	<0.50	<0.50	<0.50	<1.0	NA	NA	21.33	6.75	14.58	NA	NA

S-3	09/06/1988	96000	3400	9500	2700	17000	NA	NA	21.14	NA	NA	NA	NA
S-3	11/16/1988	70000	4600	8400	2500	13000	NA	NA	21.14	7.76	13.38	NA	NA
S-3	02/27/1989	32000	2400	3100	1500	6400	NA	NA	21.14	NA	NA	NA	NA
S-3	05/04/1989	47000	4400	300	2400	15000	NA	NA	21.14	NA	NA	NA	NA
S-3	08/10/1989	110000	5700	5700	3200	19000	NA	NA	21.14	7.92	13.22	NA	NA
S-3	10/10/1989	52000	4600	3300	2600	15000	NA	NA	21.14	8.00	13.14	NA	NA
S-3	01/25/1990	420000	5200	4100	6700	34000	NA	NA	21.14	7.54	13.60	NA	NA
S-3	04/18/1990	58000	3800	1400	2400	12000	NA	NA	21.14	7.74	13.40	NA	NA
S-3	07/23/1990	49000	3400	1800	2300	12000	NA	NA	21.14	7.55	13.59	NA	NA
S-3	10/18/1990	44000	3500	650	2400	11000	NA	NA	21.14	8.47	12.67	NA	NA
S-3	01/28/1991	64000	40900	570	1940	8090	NA	NA	21.14	8.38	12.76	NA	NA
S-3	04/25/1991	120000	3900	3600	2400	8900	NA	NA	21.14	6.91	14.23	NA	NA
S-3	07/09/1991	50000	3600	2300	1800	10000	NA	NA	21.14	8.07	13.07	NA	NA

WELL CONCENTRATIONS
Former Shell Service Station
15275 Washington Boulevard
San Leandro, CA

Well ID	Date	TPPH (ug/L)	B (ug/L)	T (ug/L)	E (ug/L)	X (ug/L)	MTBE 8020 (ug/L)	MTBE 8260 (ug/L)	TOC (MSL)	Depth to Water (ft.)	GW Elevation (MSL)	SPH Thickness (ft.)	DO Reading (ppm)
S-3	10/08/1991	130000	3600	1000	2800	8400	NA	NA	21.14	8.61	12.53	NA	NA
S-3	02/05/1992	150000	2500	670	2700	10000	NA	NA	21.14	7.80	13.34	NA	NA
S-3	04/28/1992	120000	2200	1200	2000	5800	NA	NA	21.14	7.27	13.87	NA	NA
S-3	07/27/1992	190000	1400	<1250	<1250	3400	NA	NA	21.14	8.10	13.04	NA	NA
S-3	10/26/1992	950000	2000	8400	16000	36000	NA	NA	21.14	8.62	12.52	NA	NA
S-3	01/14/1993	41000	2700	2500	1800	6900	NA	NA	21.14	5.16	15.98	NA	NA
S-3	04/16/1993	40000	930	2800	1900	14000	NA	NA	21.14	7.18	13.96	NA	NA
S-3	07/23/1993	87000	1600	<5	1300	4000	NA	NA	21.14	7.34	13.80	NA	NA
S-3	10/27/1993	36000	2200	<500	1500	3200	NA	NA	21.14	8.03	13.11	NA	NA
S-3	01/27/1994	190000	3200	3100	4100	15000	NA	NA	21.14	6.79	14.35	NA	NA
S-3	05/05/1994	36000	1100	490	1600	4700	NA	NA	20.48	6.75	13.73	NA	NA
S-3	07/26/1994	18000	1039	170.5	845.4	967.5	NA	NA	20.48	7.30	13.18	NA	NA
S-3	10/28/1994	25869	467.9	294	546.2	343.3	NA	NA	20.48	8.36	12.12	NA	NA
S-3	01/02/1995	23000	850	260	900	2100	NA	NA	20.48	6.36	14.12	NA	NA
S-3	04/14/1995	33000	720	670	1600	6600	NA	NA	20.48	5.87	14.61	NA	NA
S-3	07/28/1995	12000	540	<10	580	780	NA	NA	20.48	6.33	14.15	NA	NA
S-3	10/17/1995	Well inaccessible		NA	NA	NA	NA	NA	20.48	6.48	14.00	NA	NA
S-3	01/11/1996	16000	520	290	740	2600	<200	NA	20.48	5.80	14.68	NA	NA
S-3	04/02/1996	NA	NA	NA	NA	NA	NA	NA	20.48	5.00	15.48	NA	NA
S-3	07/09/1996	NA	NA	NA	NA	NA	NA	NA	20.48	5.93	14.55	NA	NA
S-3	10/10/1996	NA	NA	NA	NA	NA	NA	NA	20.48	6.73	13.75	NA	NA
S-3	01/09/1997	30000	420	330	1500	6300	<500	NA	20.48	4.72	15.76	NA	NA
S-3	04/08/1997	NA	NA	NA	NA	NA	NA	NA	20.48	6.63	13.85	NA	NA
S-3	07/21/1997	NA	NA	NA	NA	NA	NA	NA	20.48	6.18	14.30	NA	NA
S-3	10/08/1997	NA	NA	NA	NA	NA	NA	NA	20.48	6.83	13.65	NA	NA
S-3	01/15/1998	21000	300	51	770	2800	<100	NA	20.48	4.30	16.18	NA	NA
S-3 (D)	01/15/1998	14000	330	63	920	3400	<250	NA	20.48	NA	NA	NA	NA
S-3	04/14/1998	NA	NA	NA	NA	NA	NA	NA	20.48	4.37	16.11	NA	NA

WELL CONCENTRATIONS
Former Shell Service Station
15275 Washington Boulevard
San Leandro, CA

Well ID	Date	TPPH (ug/L)	B (ug/L)	T (ug/L)	E (ug/L)	X (ug/L)	MTBE 8020 (ug/L)	MTBE 8260 (ug/L)	TOC (MSL)	Depth to Water (ft.)	GW Elevation (MSL)	SPH Thickness (ft.)	DO Reading (ppm)
S-3	07/14/1998	NA	NA	NA	NA	NA	NA	NA	20.48	5.47	15.01	NA	NA
S-3	10/20/1998	Well inaccessible		NA	NA	NA	NA	NA	20.48	NA	NA	NA	NA
S-3	01/22/1999	40000	313	194	2200	8800	<40.0	NA	20.48	5.71	14.77	NA	NA
S-3	04/08/1999	NA	NA	NA	NA	NA	NA	NA	20.48	4.95	15.53	NA	NA
S-3	07/23/1999	NA	NA	NA	NA	NA	NA	NA	20.48	6.78	13.70	NA	NA
S-3	10/26/1999	NA	NA	NA	NA	NA	NA	NA	20.48	7.25	13.23	NA	NA
S-3	01/03/2000	39700	150	61.8	1690	7720	445	NA	20.48	7.46	13.02	NA	NA
S-3	04/14/2000	NA	NA	NA	NA	NA	NA	NA	20.48	5.64	14.84	NA	NA
S-3	07/12/2000	Well inaccessible		NA	NA	NA	NA	NA	20.48	NA	NA	NA	NA
S-3	11/01/2000	NA	NA	NA	NA	NA	NA	NA	20.48	6.72	13.76	NA	NA
S-3	01/03/2001	25000	89.0	<50.0	1270	5180	<250	NA	20.48	7.14	13.34	NA	NA
S-3	04/24/2001	Well inaccessible		NA	NA	NA	NA	NA	20.48	NA	NA	NA	NA
S-3	07/02/2001	NA	NA	NA	NA	NA	NA	NA	20.48	7.28	13.20	NA	3.2
S-3	11/02/2001	NA	NA	NA	NA	NA	NA	NA	20.48	7.64	12.84	NA	3.5
S-3	01/16/2002	Well inaccessible		NA	NA	NA	NA	NA	20.48	NA	NA	NA	NA
S-3	04/01/2002	NA	NA	NA	NA	NA	NA	NA	20.48	5.99	14.49	NA	3.8
S-3	07/11/2002	NA	NA	NA	NA	NA	NA	NA	20.48	7.21	13.27	NA	0.7
S-3	10/28/2002	NA	NA	NA	NA	NA	NA	NA	20.85	7.90	12.95	NA	e
S-3	01/23/2003	28000	60	13	970	3700	NA	<50	20.85	6.00	14.85	NA	0.3
S-3	04/30/2003	NA	NA	NA	NA	NA	NA	NA	20.85	5.34	15.51	NA	1.0
S-3	07/01/2003	NA	NA	NA	NA	NA	NA	NA	20.85	7.28	13.57	NA	1.0
S-3	10/08/2003	NA	NA	NA	NA	NA	NA	NA	20.85	7.63	13.22	NA	26.9
S-3	01/22/2004	3200	5.7	<2.5	16	320	NA	NA	20.85	6.53	14.32	NA	0.5
S-3	07/13/2004	Well inaccessible		NA	NA	NA	NA	NA	20.85	NA	NA	NA	NA
S-3	07/21/2004	3100	4.1	<2.5	10	130	NA	NA	20.85	7.64	13.21	NA	2.2
S-3	01/20/2005	93	<0.50	<0.50	1.3	1.8	NA	NA	20.85	5.78	15.07	NA	0.8
S-3	07/19/2005	<50	<0.50	<0.50	<0.50	<1.0	NA	NA	20.85	6.35	14.50	NA	NA
S-3	01/27/2006	<50.0	<0.500	<0.500	<0.500	<0.500	NA	NA	20.85	5.55	15.30	NA	NA

WELL CONCENTRATIONS
Former Shell Service Station
15275 Washington Boulevard
San Leandro, CA

Well ID	Date	TPPH (ug/L)	B (ug/L)	T (ug/L)	E (ug/L)	X (ug/L)	MTBE 8020 (ug/L)	MTBE 8260 (ug/L)	TOC (MSL)	Depth to Water (ft.)	GW Elevation (MSL)	SPH Thickness (ft.)	DO Reading (ppm)
---------	------	----------------	-------------	-------------	-------------	-------------	------------------------	------------------------	--------------	----------------------------	--------------------------	---------------------------	------------------------

S-3	07/25/2006	100	<1.00	<1.00	<1.00	<3.00	NA	NA	20.85	7.09	13.76	NA	NA
S-3	01/04/2007	<50	<0.50	<0.50	<0.50	<1.0	NA	NA	20.85	6.53	14.32	NA	NA

S-5	01/08/1987	7800	380	510	NA	1000	NA	NA	21.41	NA	NA	NA	NA
S-5	09/06/1988	7000	2600	60	400	700	NA	NA	21.41	NA	NA	NA	NA
S-5	11/16/1988	3000	660	60	120	220	NA	NA	21.41	NA	NA	NA	NA
S-5	02/27/1989	5700	2000	220	260	320	NA	NA	21.41	NA	NA	NA	NA
S-5	05/04/1989	9000	3000	600	630	1700	NA	NA	21.41	NA	NA	NA	NA
S-5	08/10/1989	5100	1100	<50	270	400	NA	NA	21.41	8.28	13.13	NA	NA
S-5	10/10/1989	15000	3300	160	830	2200	NA	NA	21.41	8.32	13.09	NA	NA
S-5	01/25/1990	12000	2400	360	570	1400	NA	NA	21.41	8.20	13.21	NA	NA
S-5	04/18/1990	5200	1100	40	300	460	NA	NA	21.41	8.32	13.09	NA	NA
S-5	07/23/1990	5500	1300	140	320	730	NA	NA	21.41	8.03	13.38	NA	NA
S-5	10/18/1990	12000	3200	40	720	900	NA	NA	21.41	9.03	12.38	NA	NA
S-5	01/28/1991	2550	410	15	110	60	NA	NA	21.41	8.80	12.61	NA	NA
S-5	04/25/1991	67000	5100	3100	2800	11000	NA	NA	21.41	7.40	14.01	NA	NA
S-5	07/09/1991	4900	480	36	360	1000	NA	NA	21.41	8.52	12.89	NA	NA
S-5	10/08/1991	6600	370	7.0	190	380	NA	NA	21.41	9.00	12.41	NA	NA
S-5	02/05/1992	44000	4800	850	2700	8400	NA	NA	21.41	8.11	13.30	NA	NA
S-5	04/28/1992	33000	1400	320	1600	5200	NA	NA	21.41	7.70	13.71	NA	NA
S-5	07/27/1992	20000	2400	<25	1800	2300	NA	NA	21.41	8.52	12.89	NA	NA
S-5	10/26/1992	21000	1600	140	1500	2800	NA	NA	21.41	9.02	12.39	NA	NA
S-5	01/14/1993	54000	1900	1000	2700	16000	NA	NA	21.41	5.22	16.19	NA	NA
S-5	04/16/1993	42000	2000	1300	4300	18000	NA	NA	21.41	7.04	14.37	NA	NA
S-5	07/23/1993	46000	2500	2200	3400	11000	NA	NA	21.41	7.75	13.66	NA	NA
S-5	10/27/1993	6500	990	31	1100	1000	NA	NA	21.41	8.49	12.92	NA	NA
S-5	01/27/1994	34000	1800	580	2900	9700	NA	NA	21.41	7.04	14.37	NA	NA
S-5	05/05/1994	24000	670	70	1400	2700	NA	NA	21.03	7.20	13.83	NA	NA

WELL CONCENTRATIONS
Former Shell Service Station
15275 Washington Boulevard
San Leandro, CA

Well ID	Date	TPPH (ug/L)	B (ug/L)	T (ug/L)	E (ug/L)	X (ug/L)	MTBE 8020 (ug/L)	MTBE 8260 (ug/L)	TOC (MSL)	Depth to Water (ft.)	GW Elevation (MSL)	SPH Thickness (ft.)	DO Reading (ppm)
S-5	07/27/1994	4700	193.6	33.1	332.3	281.2	NA	NA	21.03	7.72	13.31	NA	NA
S-5	10/28/1994	3200	167.3	18	238.7	104.5	NA	NA	21.03	7.82	13.21	NA	NA
S-5	01/02/1995	18000	1300	220	3400	10000	NA	NA	21.03	6.65	14.38	NA	NA
S-5	04/14/1995	NA	NA	NA	NA	NA	NA	NA	21.03	5.99	15.04	NA	NA
S-5	07/28/1995	25000	440	74	1700	4500	NA	NA	21.03	6.77	14.26	NA	NA
S-5 (D)	07/28/1995	25000	450	<50	1700	4600	NA	NA	21.03	NA	NA	NA	NA
S-5	10/17/1995	18000	360	24	1300	2200	NA	NA	21.03	7.00	14.03	NA	NA
S-5	01/11/1996	41000	420	180	1600	9500	<200	NA	21.03	6.22	14.81	NA	NA
S-5	04/02/1996	NA	NA	NA	NA	NA	NA	NA	21.03	5.44	15.59	NA	NA
S-5	07/09/1996	NA	NA	NA	NA	NA	NA	NA	21.03	6.41	14.62	NA	NA
S-5	10/10/1996	NA	NA	NA	NA	NA	NA	NA	21.03	7.19	13.84	NA	NA
S-5	01/09/1997	38000	130	43	160	6200	<125	NA	21.03	5.03	16.00	NA	NA
S-5 (D)	01/09/1997	36000	130	<50	160	5600	<250	NA	21.03	NA	NA	NA	NA
S-5	04/08/1997	NA	NA	NA	NA	NA	NA	NA	21.03	7.20	13.83	NA	NA
S-5	07/21/1997	NA	NA	NA	NA	NA	NA	NA	21.03	6.82	14.21	NA	NA
S-5	10/08/1997	NA	NA	NA	NA	NA	NA	NA	21.03	7.31	13.72	NA	NA
S-5	01/15/1998	49000	62	<50	93	4100	<250	NA	21.03	4.58	16.45	NA	NA
S-5	04/14/1998	NA	NA	NA	NA	NA	NA	NA	21.03	4.94	16.09	NA	NA
S-5	07/14/1998	NA	NA	NA	NA	NA	NA	NA	21.27	5.36	15.91	NA	NA
S-5	10/20/1998	NA	NA	NA	NA	NA	NA	NA	21.27	7.53	13.74	NA	NA
S-5	01/22/1999	2550	9.09	<0.500	1.93	112	4.40	NA	21.27	6.35	14.92	NA	NA
S-5	04/08/1999	NA	NA	NA	NA	NA	NA	NA	21.27	5.37	15.90	NA	NA
S-5	07/23/1999	NA	NA	NA	NA	NA	NA	NA	21.27	6.43	14.84	NA	NA
S-5	10/26/1999	NA	NA	NA	NA	NA	NA	NA	21.27	7.51	13.76	NA	NA
S-5	01/03/2000	3310	39.0	<10.0	293	21.7	<50.0	NA	21.27	7.78	13.49	NA	NA
S-5	04/14/2000	NA	NA	NA	NA	NA	NA	NA	21.27	6.15	15.12	NA	NA
S-5	07/12/2000	NA	NA	NA	NA	NA	NA	NA	21.27	7.05	14.22	NA	NA
S-5	11/01/2000	NA	NA	NA	NA	NA	NA	NA	21.27	6.00	15.27	NA	NA

WELL CONCENTRATIONS
Former Shell Service Station
15275 Washington Boulevard
San Leandro, CA

Well ID	Date	TPPH (ug/L)	B (ug/L)	T (ug/L)	E (ug/L)	X (ug/L)	MTBE 8020 (ug/L)	MTBE 8260 (ug/L)	TOC (MSL)	Depth to Water (ft.)	GW Elevation (MSL)	SPH Thickness (ft.)	DO Reading (ppm)
---------	------	----------------	-------------	-------------	-------------	-------------	------------------------	------------------------	--------------	----------------------------	--------------------------	---------------------------	------------------------

S-5	01/03/2001	516	3.65	0.968	18.0	4.02	18.4	NA	21.27	7.48	13.79	NA	NA
S-5	04/24/2001	NA	NA	NA	NA	NA	NA	NA	21.27	6.58	14.69	NA	NA
S-5	07/02/2001	NA	NA	NA	NA	NA	NA	NA	21.27	7.60	13.67	NA	NA
S-5	11/02/2001	NA	NA	NA	NA	NA	NA	NA	21.27	7.94	13.33	NA	NA
S-5	01/16/2002	<50	<0.50	<0.50	<0.50	<0.50	NA	<5.0	21.27	5.88	15.39	NA	NA
S-5	04/01/2002	NA	NA	NA	NA	NA	NA	NA	21.27	6.27	15.00	NA	NA
S-5	07/11/2002	NA	NA	NA	NA	NA	NA	NA	21.27	7.53	13.74	NA	NA
S-5	10/28/2002	NA	NA	NA	NA	NA	NA	NA	21.27	8.11	13.16	NA	NA
S-5	01/23/2003	<50	<0.50	<0.50	<0.50	<0.50	NA	<5.0	21.27	6.22	15.05	NA	NA
S-5	04/30/2003	NA	NA	NA	NA	NA	NA	NA	21.27	5.48	15.79	NA	NA
S-5	07/01/2003	NA	NA	NA	NA	NA	NA	NA	21.27	7.32	13.95	NA	NA
S-5	10/08/2003	NA	NA	NA	NA	NA	NA	NA	21.27	7.91	13.36	NA	NA
S-5	01/22/2004	<50	<0.50	<0.50	<0.50	<1.0	NA	NA	21.27	6.68	14.59	NA	NA
S-5	07/13/2004	NA	NA	NA	NA	NA	NA	NA	21.27	8.17	13.10	NA	NA
S-5	01/20/2005	<50	<0.50	<0.50	<0.50	<1.0	NA	NA	21.27	5.30	15.97	NA	NA
S-5	07/19/2005	NA	NA	NA	NA	NA	NA	NA	21.27	6.35	14.92	NA	NA
S-5	01/27/2006	<50.0	<0.500	<0.500	<0.500	<0.500	NA	NA	21.27	5.83	15.44	NA	NA
S-5	07/25/2006	NA	NA	NA	NA	NA	NA	NA	21.27	7.35	13.92	NA	NA
S-5	01/04/2007	<50	<0.50	<0.50	<0.50	<1.0	NA	NA	21.27	6.82	14.45	NA	NA

S-6	11/16/1988	50	0.7	<1	<1	<3	NA	NA	22.02	8.58	13.44	NA	NA
S-6	02/27/1989	<50	<0.5	<1	<1	<3	NA	NA	22.02	NA	NA	NA	NA
S-6	05/04/1989	<50	<0.5	<1	<1	<3	NA	NA	22.02	NA	NA	NA	NA
S-6	08/10/1989	<50	<0.5	<1	<1	<3	NA	NA	22.02	8.54	13.48	NA	NA
S-6	10/10/1989	<50	<0.5	<1	<1	<3	NA	NA	22.02	8.58	13.44	NA	NA
S-6	01/25/1990	<50	<0.5	<0.5	<0.5	<1	NA	NA	22.02	8.31	13.71	NA	NA
S-6	04/18/1990	<50	<0.5	0.6	<0.5	1.0	NA	NA	22.02	8.43	13.59	NA	NA
S-6	07/23/1990	<50	<0.5	0.9	<0.5	1.8	NA	NA	22.02	8.24	13.78	NA	NA

WELL CONCENTRATIONS
Former Shell Service Station
15275 Washington Boulevard
San Leandro, CA

Well ID	Date	TPPH (ug/L)	B (ug/L)	T (ug/L)	E (ug/L)	X (ug/L)	MTBE 8020 (ug/L)	MTBE 8260 (ug/L)	TOC (MSL)	Depth to Water (ft.)	GW Elevation (MSL)	SPH Thickness (ft.)	DO Reading (ppm)
S-6	10/18/1990	<50	<0.5	0.7	<0.5	0.8	NA	NA	22.02	9.20	12.82	NA	NA
S-6	01/28/1991	<50	<0.5	<0.5	<0.5	<0.5	NA	NA	22.02	9.10	12.92	NA	NA
S-6	04/25/1991	<50	<0.5	<0.5	<0.5	0.7	NA	NA	22.02	7.74	14.28	NA	NA
S-6	07/09/1991	<50	<0.5	<0.5	<0.5	<0.5	NA	NA	22.02	8.81	13.21	NA	NA
S-6	10/08/1991	<50	0.7	<0.5	<0.5	<0.5	NA	NA	22.02	9.26	12.76	NA	NA
S-6	02/02/1992	NA	NA	NA	NA	NA	NA	NA	22.02	8.47	13.55	NA	NA
S-6	04/28/1992	<50	<0.5	<0.5	<0.5	<0.5	NA	NA	22.02	7.91	14.11	NA	NA
S-6	07/27/1992	NA	NA	NA	NA	NA	NA	NA	22.02	8.83	13.19	NA	NA
S-6	10/26/1992	<50	<0.5	<0.5	<0.5	<0.5	NA	NA	22.02	9.29	12.73	NA	NA
S-6	01/13/1994	NA	NA	NA	NA	NA	NA	NA	22.02	9.43	12.59	NA	NA
S-6	04/16/1993	<50	<0.5	<0.5	<0.5	<0.5	NA	NA	22.02	7.12	14.90	NA	NA
S-6	07/23/1993	NA	NA	NA	NA	NA	NA	NA	22.02	8.14	13.88	NA	NA
S-6	10/27/1993	<50	<0.5	<0.5	<0.5	<0.5	NA	NA	22.02	8.75	13.27	NA	NA
S-6	01/27/1994	NA	NA	NA	NA	NA	NA	NA	22.02	7.87	14.15	NA	NA
S-6	05/05/1994	<50	<0.5	<0.5	<0.5	<0.5	NA	NA	21.40	7.71	13.69	NA	NA
S-6	07/26/1994	NA	NA	NA	NA	NA	NA	NA	21.40	8.10	13.30	NA	NA
S-6	10/28/1994	<50	<0.3	<0.3	<0.3	<0.6	NA	NA	21.40	8.04	13.36	NA	NA
S-6	01/02/1995	NA	NA	NA	NA	NA	NA	NA	21.40	7.07	14.33	NA	NA
S-6	04/14/1995	<50	<0.5	1.3	<0.5	<0.5	NA	NA	21.40	6.29	15.11	NA	NA
S-6	07/28/1995	NA	NA	NA	NA	NA	NA	NA	21.40	6.91	14.49	NA	NA
S-6	10/17/1995	<50	<0.5	<0.5	<0.5	<0.5	NA	NA	21.40	7.20	14.20	NA	NA
S-6	01/11/1996	NA	NA	NA	NA	NA	NA	NA	21.40	6.60	14.80	NA	NA
S-6	01/22/2004	Unable to locate		NA	NA	NA	NA	NA	21.40	NA	NA	NA	NA
S-7	11/16/1988	100	5.1	15	2.0	13	NA	NA	21.47	8.24	13.23	NA	NA
S-7	02/27/1989	50	0.5	3.0	1.0	11	NA	NA	21.47	NA	NA	NA	NA
S-7	05/04/1989	<50	<0.5	<1	<1	<3	NA	NA	21.47	NA	NA	NA	NA
S-7	08/10/1989	<50	<0.5	<1	<1	<3	NA	NA	21.47	8.18	13.29	NA	NA

WELL CONCENTRATIONS
Former Shell Service Station
15275 Washington Boulevard
San Leandro, CA

Well ID	Date	TPPH (ug/L)	B (ug/L)	T (ug/L)	E (ug/L)	X (ug/L)	MTBE 8020 (ug/L)	MTBE 8260 (ug/L)	TOC (MSL)	Depth to Water (ft.)	GW Elevation (MSL)	SPH Thickness (ft.)	DO Reading (ppm)
S-7	10/10/1989	<50	<0.5	<1	<1	<3	NA	NA	21.47	8.35	13.12	NA	NA
S-7	01/25/1990	<50	<0.5	<0.5	<0.5	<1	NA	NA	21.47	7.95	13.52	NA	NA
S-7	04/18/1990	<50	<0.5	<0.5	<0.5	<1	NA	NA	21.47	8.06	13.41	NA	NA
S-7	07/23/1990	<50	<0.5	<0.5	<0.5	<0.5	NA	NA	21.47	7.89	13.58	NA	NA
S-7	10/18/1990	<50	<0.5	0.5	0.5	4.1	NA	NA	21.47	8.83	12.64	NA	NA
S-7	01/28/1991	<50	<0.5	<0.5	<0.5	<0.5	NA	NA	21.47	8.77	12.70	NA	NA
S-7	04/25/1991	60	<0.5	<0.5	<0.5	<0.5	NA	NA	21.47	7.25	14.22	NA	NA
S-7	07/09/1991	<50	<0.5	<0.5	<0.5	<0.5	NA	NA	21.47	8.41	13.06	NA	NA
S-7	10/08/1991	NA	NA	NA	NA	NA	NA	NA	21.47	8.95	12.52	NA	NA
S-7	02/05/1992	<50	<0.5	<0.5	<0.5	<0.5	NA	NA	21.47	8.04	13.43	NA	NA
S-7	10/08/1991	<50	<0.5	<0.5	<0.5	<0.5	NA	NA	21.47	8.95	12.52	NA	NA
S-7	04/28/1992	<50	<0.5	<0.5	<0.5	<0.5	NA	NA	21.47	7.45	14.02	NA	NA
S-7	07/27/1992	<50	<0.5	<0.5	<0.5	<0.5	NA	NA	21.47	8.48	12.99	NA	NA
S-7	10/26/1992	570	<0.5	<0.5	<0.5	<0.5	NA	NA	21.47	9.95	11.52	NA	NA
S-7	01/14/1993	56	<0.5	<0.5	<0.5	<0.5	NA	NA	21.47	5.84	15.63	NA	NA
S-7	04/16/1993	110	28	<0.5	<0.5	1.8	NA	NA	21.47	6.38	15.09	NA	NA
S-7	07/23/1993	80	0.48	<0.5	<0.5	0.8	NA	NA	21.47	7.72	13.75	NA	NA
S-7	10/27/1993	<50	<0.5	<0.5	<0.5	<0.5	NA	NA	21.47	7.79	13.68	NA	NA
S-7	01/27/1994	70a	<0.5	<0.5	<0.5	<0.5	NA	NA	21.47	7.85	13.62	NA	NA
S-7	05/05/1994	92	2.1	<0.5	<0.5	<0.5	NA	NA	20.85	9.45	11.40	NA	NA
S-7	07/26/1994	88	<0.3	<0.3	<0.3	<0.6	NA	NA	20.85	7.64	13.21	NA	NA
S-7	10/28/1994	60	<0.3	0.5	<0.3	<0.6	NA	NA	20.85	7.68	13.17	NA	NA
S-7	01/02/1995	<50	<0.5	<0.5	<0.5	<0.5	NA	NA	20.85	6.95	13.90	NA	NA
S-7	04/14/1995	NA	NA	NA	NA	NA	NA	NA	20.85	5.82	15.03	NA	NA
S-7	07/28/1995	170	1.7	<0.5	<0.5	2.2	NA	NA	20.85	6.32	14.53	NA	NA
S-7	10/17/1995	100	<0.5	0.6	<0.5	<0.5	NA	NA	20.85	7.07	13.78	NA	NA
S-7	01/11/1996	80	0.6	<0.5	<0.5	<0.5	54	NA	20.85	6.10	14.75	NA	NA
S-7	04/02/1996	NA	NA	NA	NA	NA	NA	NA	20.85	6.14	14.71	NA	NA

WELL CONCENTRATIONS
Former Shell Service Station
15275 Washington Boulevard
San Leandro, CA

Well ID	Date	TPPH (ug/L)	B (ug/L)	T (ug/L)	E (ug/L)	X (ug/L)	MTBE 8020 (ug/L)	MTBE 8260 (ug/L)	TOC (MSL)	Depth to Water (ft.)	GW Elevation (MSL)	SPH Thickness (ft.)	DO Reading (ppm)
S-7	07/09/1996	NA	NA	NA	NA	NA	NA	NA	20.85	6.40	14.45	NA	NA
S-7	10/10/1996	NA	NA	NA	NA	NA	NA	NA	20.85	6.70	14.15	NA	NA
S-7	01/09/1997	130	1.4	<0.50	<0.50	0.56	70	NA	20.85	5.25	15.60	NA	NA
S-7	04/08/1997	NA	NA	NA	NA	NA	NA	NA	20.85	7.15	13.70	NA	NA
S-7	07/21/1997	NA	NA	NA	NA	NA	NA	NA	20.85	6.67	14.18	NA	NA
S-7	10/08/1997	NA	NA	NA	NA	NA	NA	NA	20.85	7.26	13.59	NA	NA
S-7	01/15/1998	<50	<0.50	<0.50	<0.50	<0.50	39	NA	20.85	5.51	15.34	NA	NA
S-7	04/14/1998	NA	NA	NA	NA	NA	NA	NA	20.85	5.45	15.40	NA	NA
S-7	07/14/1998	NA	NA	NA	NA	NA	NA	NA	21.03	6.48	14.55	NA	NA
S-7	10/20/1998	NA	NA	NA	NA	NA	NA	NA	21.03	7.37	13.66	NA	NA
S-7	01/22/1999	<50.0	<0.500	<0.500	<0.500	<0.500	97.8	NA	21.03	6.21	14.82	NA	NA
S-7	04/08/1999	NA	NA	NA	NA	NA	NA	NA	21.03	5.30	15.73	NA	NA
S-7	07/23/1999	NA	NA	NA	NA	NA	NA	NA	21.03	7.12	13.91	NA	NA
S-7	10/26/1999	NA	NA	NA	NA	NA	NA	NA	21.03	7.54	13.49	NA	NA
S-7	01/03/2000	615	8.73	2.90	4.00	7.17	17.0	NA	21.03	7.73	13.30	NA	NA
S-7	04/14/2000	NA	NA	NA	NA	NA	NA	NA	21.03	6.27	14.76	NA	NA
S-7	07/12/2000	NA	NA	NA	NA	NA	NA	NA	21.03	6.97	14.06	NA	NA
S-7	11/01/2000	NA	NA	NA	NA	NA	NA	NA	21.03	6.43	14.60	NA	NA
S-7	01/03/2001	460	6.68	<0.500	0.712	0.596	10.2	NA	21.03	7.27	13.76	NA	NA
S-7	04/24/2001	NA	NA	NA	NA	NA	NA	NA	21.03	6.75	14.28	NA	NA
S-7	07/02/2001	NA	NA	NA	NA	NA	NA	NA	21.03	7.55	13.48	NA	NA
S-7	11/02/2001	NA	NA	NA	NA	NA	NA	NA	21.03	7.80	13.23	NA	NA
S-7	01/16/2002	360	<0.50	<0.50	<0.50	<0.50	NA	<5.0	21.03	6.11	14.92	NA	NA
S-7	04/01/2002	NA	NA	NA	NA	NA	NA	NA	21.03	6.54	14.49	NA	NA
S-7	07/11/2002	NA	NA	NA	NA	NA	NA	NA	21.03	7.37	13.66	NA	NA
S-7	10/28/2002	NA	NA	NA	NA	NA	NA	NA	21.01	7.97	13.04	NA	NA
S-7	01/23/2003	160	<0.50	<0.50	<0.50	<0.50	NA	<5.0	21.01	6.45	14.56	NA	NA
S-7	04/30/2003	NA	NA	NA	NA	NA	NA	NA	21.01	6.14	14.87	NA	NA

WELL CONCENTRATIONS
Former Shell Service Station
15275 Washington Boulevard
San Leandro, CA

Well ID	Date	TPPH (ug/L)	B (ug/L)	T (ug/L)	E (ug/L)	X (ug/L)	MTBE 8020 (ug/L)	MTBE 8260 (ug/L)	TOC (MSL)	Depth to Water (ft.)	GW Elevation (MSL)	SPH Thickness (ft.)	DO Reading (ppm)
S-7	07/01/2003	NA	NA	NA	NA	NA	NA	NA	21.01	7.28	13.73	NA	NA
S-7	10/08/2003	NA	NA	NA	NA	NA	NA	NA	21.01	7.78	13.23	NA	NA
S-7	01/22/2004	140	<0.50	<0.50	0.51	<1.0	NA	NA	21.01	6.93	14.08	NA	NA
S-7	07/13/2004	150	<0.50	<0.50	<0.50	<1.0	NA	17	21.01	7.88	13.13	NA	NA
S-7	01/20/2005	200 a	<0.50	<0.50	<0.50	<1.0	NA	NA	21.01	5.68	15.33	NA	NA
S-7	07/19/2005	140 a	<0.50	<0.50	<0.50	<1.0	NA	NA	21.01	6.18	14.83	NA	NA
S-7	01/27/2006	69.8	<0.500	<0.500	<0.500	<0.500	NA	NA	21.01	6.11	14.90	NA	NA
S-7	07/25/2006	78.6	<1.00	<1.00	<1.00	<3.00	NA	NA	21.01	7.01	14.00	NA	NA
S-7	01/04/2007	<50	<0.50	<0.50	<0.50	<1.0	NA	NA	21.01	6.70	14.31	NA	NA
S-8	11/16/1988	210	5.0	<1	1.0	5.0	NA	NA	20.72	7.76	12.96	NA	NA
S-8	02/27/1989	<50	2.4	<1	<1	<3	NA	NA	20.72	NA	NA	NA	NA
S-8	05/04/1989	<50	7.5	<1	2.0	<3	NA	NA	20.72	NA	NA	NA	NA
S-8	08/10/1989	<50	0.6	<1	<1	<3	NA	NA	20.72	7.79	12.93	NA	NA
S-8	10/10/1989	<50	<0.5	<1	<1	<3	NA	NA	20.72	7.84	12.88	NA	NA
S-8	01/25/1990	<50	<0.5	<0.5	<0.5	<1	NA	NA	20.72	7.47	13.25	NA	NA
S-8	04/18/1990	<50	<0.5	<0.5	<0.5	<1	NA	NA	20.72	7.59	13.13	NA	NA
S-8	07/23/1990	<50	<0.5	<0.5	<0.5	<0.5	NA	NA	20.72	7.49	13.23	NA	NA
S-8	10/18/1990	<50	<0.5	<0.5	<0.5	<0.5	NA	NA	20.72	8.44	12.28	NA	NA
S-8	01/28/1991	<50	55	0.5	<0.5	1.4	NA	NA	20.72	8.28	12.44	NA	NA
S-8	04/25/1991	130a	19	<0.5	1.3	1.1	NA	NA	20.72	6.72	14.00	NA	NA
S-8	07/09/1991	200	33	<0.5	1.8	2.8	NA	NA	20.72	7.98	12.74	NA	NA
S-8	10/08/1991	580	95	2.2	4.9	6.5	NA	NA	20.72	8.55	12.17	NA	NA
S-8	02/05/1992	90a	18	<0.5	6.2	1.8	NA	NA	20.72	7.50	13.22	NA	NA
S-8	04/28/1992	<50	5.9	<0.5	2.5	<0.5	NA	NA	20.72	7.14	13.58	NA	NA
S-8	07/27/1992	<50	<0.5	<0.5	<0.5	<0.5	NA	NA	20.72	8.06	12.66	NA	NA
S-8	10/26/1992	<50	<0.5	<0.5	<0.5	<0.5	NA	NA	20.72	8.58	12.14	NA	NA
S-8	01/14/1993	270	74	0.9	25	5.5	NA	NA	20.72	5.32	15.40	NA	NA

WELL CONCENTRATIONS
Former Shell Service Station
15275 Washington Boulevard
San Leandro, CA

Well ID	Date	TPPH (ug/L)	B (ug/L)	T (ug/L)	E (ug/L)	X (ug/L)	MTBE 8020 (ug/L)	MTBE 8260 (ug/L)	TOC (MSL)	Depth to Water (ft.)	GW Elevation (MSL)	SPH Thickness (ft.)	DO Reading (ppm)
S-8	04/16/1993	1100	420	<0.5	200	20	NA	NA	20.72	5.76	14.96	NA	NA
S-8	07/23/1993	160	23	<0.5	1.2	1.5	NA	NA	20.72	7.29	13.43	NA	NA
S-8	10/27/1993	420	650	0.7	11	1.7	NA	NA	20.72	7.93	12.79	NA	NA
S-8	01/27/1994	290	65	<1	6.9	2.4	NA	NA	20.72	6.31	14.41	NA	NA
S-8	05/05/1994	120	13	<0.5	<0.5	<0.5	NA	NA	20.32	6.84	13.48	NA	NA
S-8	07/26/1994	115	12.2	1.3	<0.3	2.7	NA	NA	20.32	7.42	12.90	NA	NA
S-8	10/28/1994	733	75.9	3.2	4.9	4.2	NA	NA	20.32	7.56	12.76	NA	NA
S-8	01/02/1995	290	54	<0.5	10	<0.5	NA	NA	20.32	6.19	14.13	NA	NA
S-8	04/14/1995	230	68	<0.5	10	2.4	NA	NA	20.32	5.54	14.78	NA	NA
S-8	07/28/1995	290	44	<0.5	8.0	<0.5	NA	NA	20.32	6.28	14.04	NA	NA
S-8	10/17/1995	190	24	<0.5	1.0	0.9	NA	NA	20.32	6.64	13.68	NA	NA
S-8	01/11/1996	400	85	1.1	13	3.4	2.3	NA	20.32	5.96	14.36	NA	NA
S-8	04/02/1996	300	110	0.7	4.9	0.9	<2	NA	20.32	5.21	15.11	NA	NA
S-8	07/09/1996	<50	5.4	<0.50	0.63	<0.50	<2.5	NA	20.32	6.05	14.27	NA	NA
S-8	10/10/1996	150	0.53	0.66	2.3	1.0	8.9	NA	20.32	6.83	13.49	NA	NA
S-8	01/09/1997	240	27	<0.50	2.4	<0.50	5.8	NA	20.32	4.51	15.81	NA	NA
S-8	04/08/1997	220	27	0.62	1.9	0.71	5.7	NA	20.32	6.50	13.82	NA	NA
S-8	07/21/1997	1200	140	2.8	21	5.0	27	NA	20.32	6.36	13.96	NA	NA
S-8 (D)	07/21/1997	1200	120	<2.0	19	3.9	25	NA	20.32	NA	NA	NA	NA
S-8	10/08/1997	690	92	1.4	25	2.0	<2.5	NA	20.32	6.83	13.49	NA	NA
S-8 (D)	10/08/1997	700	95	1.3	26	1.9	<2.5	NA	20.32	NA	NA	NA	NA
S-8	01/15/1998	460	110	1.0	3.4	1.7	<5.0	NA	20.32	4.30	16.02	NA	NA
S-8	04/14/1998	780	190	2.9	15	3.4	<2.5	NA	20.32	4.68	15.64	NA	NA
S-8	07/14/1998	1600	240	<5.0	36	<5.0	<25	NA	20.36	6.36	14.00	NA	NA
S-8	10/20/1998	700	55	<5.0	<5.0	<5.0	49	NA	20.36	6.91	13.45	NA	NA
S-8	01/22/1999	<50.0	5.83	<0.500	0.919	<0.500	<2.00	NA	20.36	5.97	14.39	NA	NA
S-8	04/08/1999	684	10.6	1.3	9.75	1.0	10.5	NA	20.36	5.01	15.35	NA	NA
S-8	07/23/1999	1540	86.5	5.20	5.30	6.35	<25.0	NA	20.36	6.61	13.75	NA	NA

WELL CONCENTRATIONS
Former Shell Service Station
15275 Washington Boulevard
San Leandro, CA

Well ID	Date	TPPH (ug/L)	B (ug/L)	T (ug/L)	E (ug/L)	X (ug/L)	MTBE 8020 (ug/L)	MTBE 8260 (ug/L)	TOC (MSL)	Depth to Water (ft.)	GW Elevation (MSL)	SPH Thickness (ft.)	DO Reading (ppm)
S-8	10/26/1999	1680	116	<2.50	22.4	5.58	<12.5	NA	20.36	6.95	13.41	NA	NA
S-8	01/03/2000	Well inaccessible		NA	NA	NA	NA	NA	20.36	NA	NA	NA	NA
S-8	04/14/2000	Well inaccessible		NA	NA	NA	NA	NA	20.36	NA	NA	NA	NA
S-8	07/12/2000	Well inaccessible		NA	NA	NA	NA	NA	20.36	NA	NA	NA	NA
S-8	11/01/2000	2300	118	12.4	51.7	<2.50	<12.5	NA	20.36	5.68	14.68	NA	NA
S-8	01/03/2001	263	4.34	0.620	<0.500	0.643	5.40	NA	20.36	6.95	13.41	NA	NA
S-8	04/24/2001	680	12	<0.50	0.86	<0.50	NA	<0.50	20.36	6.25	14.11	NA	NA
S-8	07/02/2001	330	2.5	<0.50	0.86	<0.50	NA	<5.0	20.36	7.00	13.36	NA	NA
S-8	11/02/2001	1300	71	0.84	14	1.7	NA	<5.0	20.36	7.44	12.92	NA	NA
S-8	01/16/2002	<50	<0.50	<0.50	<0.50	<0.50	NA	<5.0	20.36	5.67	14.69	NA	NA
S-8	04/01/2002	330	2.2	<0.50	<0.50	<0.50	NA	<5.0	20.36	5.99	14.37	NA	NA
S-8	07/11/2002	1400	55	0.83	5.3	0.71	NA	<5.0	20.36	6.94	13.42	NA	NA
S-8	10/28/2002	660	6.2	0.63	0.76	<0.50	NA	<0.50	20.36	7.50	12.86	NA	1.1
S-8	01/23/2003	1600	30	0.56	6.7	<0.50	NA	<5.0	20.36	5.99	14.37	NA	NA
S-8	04/30/2003	890	13	<0.50	0.59	<1.0	NA	<5.0	20.36	5.30	15.06	NA	NA
S-8	07/01/2003	1800	68	1.3	2.6	1.2	NA	<0.50	20.36	6.87	13.49	NA	1.0
S-8	10/08/2003	220	1.3	<0.50	<0.50	<1.0	NA	<0.50	20.36	7.27	13.09	NA	NA
S-8	01/22/2004	1000	6.7	<0.50	0.61	<1.0	NA	NA	20.36	6.50	13.86	NA	NA
S-8	07/13/2004	2000	100	1.7	5.7	<2.0	NA	<1.0	20.36	7.41	12.95	NA	NA
S-8	01/20/2005	380	4.3	<0.50	<0.50	<1.0	NA	NA	20.36	5.02	15.34	NA	NA
S-8	07/19/2005	120	1.2	<0.50	<0.50	<1.0	NA	NA	20.36	5.82	14.54	NA	NA
S-8	01/27/2006	494	2.42	<0.500	<0.500	<0.500	NA	NA	20.36	5.51	14.85	NA	NA
S-8	07/25/2006	382	2.05	<1.00	<1.00	<3.00	NA	NA	20.36	6.66	13.70	NA	NA
S-8	01/04/2007	<50	<0.50	<0.50	<0.50	<1.0	NA	NA	20.36	6.13	14.23	NA	NA
S-9	11/16/1988	1400	69	3.0	52	180	NA	NA	20.96	7.78	13.18	NA	NA
S-9	02/27/1989	1600	240	4.0	130	180	NA	NA	20.96	NA	NA	NA	NA
S-9	05/04/1989	2600	470	10	240	480	NA	NA	20.96	NA	NA	NA	NA

WELL CONCENTRATIONS
Former Shell Service Station
15275 Washington Boulevard
San Leandro, CA

Well ID	Date	TPPH (ug/L)	B (ug/L)	T (ug/L)	E (ug/L)	X (ug/L)	MTBE 8020 (ug/L)	MTBE 8260 (ug/L)	TOC (MSL)	Depth to Water (ft.)	GW Elevation (MSL)	SPH Thickness (ft.)	DO Reading (ppm)
S-9	08/10/1989	520	73	<10	40	<30	NA	NA	20.96	7.82	13.14	NA	NA
S-9	10/10/1989	380	82	<1	46	13	NA	NA	20.96	7.87	13.09	NA	NA
S-9	01/25/1990	750	140	1.2	69	75	NA	NA	20.96	7.41	13.55	NA	NA
S-9	04/18/1990	680	150	1.7	50	37	NA	NA	20.96	7.65	13.31	NA	NA
S-9	07/23/1990	490	94	1.2	32	24	NA	NA	20.96	7.58	13.38	NA	NA
S-9	10/18/1990	390	140	0.7	3.3	24	NA	NA	20.96	8.46	12.50	NA	NA
S-9	01/28/1991	1040	450	4.6	85	97	NA	NA	20.96	8.29	12.67	NA	NA
S-9	04/25/1991	5800	880	9.0	360	500	NA	NA	20.96	6.09	14.87	NA	NA
S-9	07/09/1991	1400	220	2.8	82	100	NA	NA	20.96	7.82	13.14	NA	NA
S-9	10/08/1991	890	960	<2.5	16	29	NA	NA	20.96	8.55	12.41	NA	NA
S-9	02/05/1992	950	240	<2.5	28	55	NA	NA	20.96	6.96	14.00	NA	NA
S-9	04/28/1992	1400a	290	3.0	100	81	NA	NA	20.96	6.76	14.20	NA	NA
S-9	07/27/1992	890	190	<2.5	66	68	NA	NA	20.96	8.10	12.86	NA	NA
S-9	10/26/1992	650	160	<2.5	63	89	NA	NA	20.96	8.53	12.43	NA	NA
S-9	01/13/1993	19000	2400	38	1700	2200	NA	NA	20.96	6.80	14.16	NA	NA
S-9	04/16/1993	10000	1500	<5	1100	990	NA	NA	20.96	6.28	14.68	NA	NA
S-9	07/23/1993	1100	400	<5	260	160	NA	NA	20.96	7.26	13.70	NA	NA
S-9	10/27/1993	2500	400	<5	190	110	NA	NA	20.96	8.00	12.96	NA	NA
S-9	01/27/1994	4800	990	16	630	490	NA	NA	20.96	5.96	15.00	NA	NA
S-9	05/05/1994	3700	480	<5	21	120	NA	NA	20.68	6.99	13.69	NA	NA
S-9	07/26/1994	1000	124.6	<0.3	35.8	28.6	NA	NA	20.68	7.56	13.12	NA	NA
S-9	10/28/1994	979	80.3	7.0	21.7	29.2	NA	NA	20.68	7.78	12.90	NA	NA
S-9	01/02/1995	3900	540	2.4	350	150	NA	NA	20.68	6.29	14.39	NA	NA
S-9	04/14/1995	5100	1000	<10	380	230	NA	NA	20.68	5.69	14.99	NA	NA
S-9	07/28/1995	4600	680	<10	120	47	NA	NA	20.68	6.61	14.07	NA	NA
S-9	10/17/1995	1600	150	<0.5	42	15	NA	NA	20.68	7.00	13.68	NA	NA
S-9	01/11/1996	6800	1100	12	720	95	24	NA	20.68	6.20	14.48	NA	NA
S-9	04/02/1996	6000	1300	8.3	430	99	49	NA	20.68	5.19	15.49	NA	NA

WELL CONCENTRATIONS
Former Shell Service Station
15275 Washington Boulevard
San Leandro, CA

Well ID	Date	TPPH (ug/L)	B (ug/L)	T (ug/L)	E (ug/L)	X (ug/L)	MTBE 8020 (ug/L)	MTBE 8260 (ug/L)	TOC (MSL)	Depth to Water (ft.)	GW Elevation (MSL)	SPH Thickness (ft.)	DO Reading (ppm)
S-9	08/10/1989	520	73	<10	40	<30	NA	NA	20.96	7.82	13.14	NA	NA
S-9	10/10/1989	380	82	<1	46	13	NA	NA	20.96	7.87	13.09	NA	NA
S-9	01/25/1990	750	140	1.2	69	75	NA	NA	20.96	7.41	13.55	NA	NA
S-9	04/18/1990	680	150	1.7	50	37	NA	NA	20.96	7.65	13.31	NA	NA
S-9	07/23/1990	490	94	1.2	32	24	NA	NA	20.96	7.58	13.38	NA	NA
S-9	10/18/1990	390	140	0.7	3.3	24	NA	NA	20.96	8.46	12.50	NA	NA
S-9	01/28/1991	1040	450	4.6	85	97	NA	NA	20.96	8.29	12.67	NA	NA
S-9	04/25/1991	5800	880	9.0	360	500	NA	NA	20.96	6.09	14.87	NA	NA
S-9	07/09/1991	1400	220	2.8	82	100	NA	NA	20.96	7.82	13.14	NA	NA
S-9	10/08/1991	890	960	<2.5	16	29	NA	NA	20.96	8.55	12.41	NA	NA
S-9	02/05/1992	950	240	<2.5	28	55	NA	NA	20.96	6.96	14.00	NA	NA
S-9	04/28/1992	1400a	290	3.0	100	81	NA	NA	20.96	6.76	14.20	NA	NA
S-9	07/27/1992	890	190	<2.5	66	68	NA	NA	20.96	8.10	12.86	NA	NA
S-9	10/26/1992	650	160	<2.5	63	89	NA	NA	20.96	8.53	12.43	NA	NA
S-9	01/13/1993	19000	2400	38	1700	2200	NA	NA	20.96	6.80	14.16	NA	NA
S-9	04/16/1993	10000	1500	<5	1100	990	NA	NA	20.96	6.28	14.68	NA	NA
S-9	07/23/1993	1100	400	<5	260	160	NA	NA	20.96	7.26	13.70	NA	NA
S-9	10/27/1993	2500	400	<5	190	110	NA	NA	20.96	8.00	12.96	NA	NA
S-9	01/27/1994	4800	990	16	630	490	NA	NA	20.96	5.96	15.00	NA	NA
S-9	05/05/1994	3700	480	<5	21	120	NA	NA	20.68	6.99	13.69	NA	NA
S-9	07/26/1994	1000	124.6	<0.3	35.8	28.6	NA	NA	20.68	7.56	13.12	NA	NA
S-9	10/28/1994	979	80.3	7.0	21.7	29.2	NA	NA	20.68	7.78	12.90	NA	NA
S-9	01/02/1995	3900	540	2.4	350	150	NA	NA	20.68	6.29	14.39	NA	NA
S-9	04/14/1995	5100	1000	<10	380	230	NA	NA	20.68	5.69	14.99	NA	NA
S-9	07/28/1995	4600	680	<10	120	47	NA	NA	20.68	6.61	14.07	NA	NA
S-9	10/17/1995	1600	150	<0.5	42	15	NA	NA	20.68	7.00	13.68	NA	NA
S-9	01/11/1996	6800	1100	12	720	95	24	NA	20.68	6.20	14.48	NA	NA
S-9	04/02/1996	6000	1300	8.3	430	99	49	NA	20.68	5.19	15.49	NA	NA

WELL CONCENTRATIONS
Former Shell Service Station
15275 Washington Boulevard
San Leandro, CA

Well ID	Date	TPPH (ug/L)	B (ug/L)	T (ug/L)	E (ug/L)	X (ug/L)	MTBE 8020 (ug/L)	MTBE 8260 (ug/L)	TOC (MSL)	Depth to Water (ft.)	GW Elevation (MSL)	SPH Thickness (ft.)	DO Reading (ppm)
S-9 (D)	04/02/1996	6500	1200	8.3	410	90	<20	NA	20.68	NA	NA	NA	NA
S-9	07/09/1996	3400	680	6.7	54	31	<25	NA	20.68	6.43	14.25	NA	NA
S-9 (D)	07/09/1996	3300	730	<5.0	58	28	<25	NA	20.68	NA	NA	NA	NA
S-9	10/10/1996	6600	1200	<10	160	<10	70	NA	20.68	7.08	13.60	NA	NA
S-9 (D)	10/10/1996	6100	1000	<10	200	15	65	NA	20.68	NA	NA	NA	NA
S-9	01/09/1997	12000	1400	<25	1000	39	<125	NA	20.68	5.03	15.65	NA	NA
S-9	04/08/1997	6600	920	10	230	26	150	NA	20.68	6.78	13.90	NA	NA
S-9	07/21/1997	7800	860	13	260	14	87	NA	20.68	6.77	13.91	NA	NA
S-9	10/08/1997	4600	320	<10	61	<10	28	NA	20.68	6.92	13.76	NA	NA
S-9	01/15/1998	9300	1000	<10	730	24	<50	NA	20.68	4.50	16.18	NA	NA
S-9	04/14/1998	12000	1200	<2.5	960	<2.5	<12	NA	20.68	4.35	16.33	NA	NA
S-9 (D)	04/14/1998	12000	1200	<2.5	930	<2.5	<12	NA	20.68	NA	NA	NA	NA
S-9	07/14/1998	12000	1700	<25	990	39	<125	NA	20.68	5.95	14.73	NA	NA
S-9 (D)	07/14/1998	11000	1800	<25	650	<25	<125	NA	20.68	NA	NA	NA	NA
S-9	10/20/1998	14000	1600	<25	560	<25	340	NA	20.68	7.03	13.65	NA	NA
S-9 (D)	10/20/1998	11000	1100	<10	230	<10	100	NA	20.68	NA	NA	NA	NA
S-9	01/22/1999	9900	1030	26.7	819	27.5	46.8	NA	20.68	6.01	14.67	NA	NA
S-9	04/08/1999	17900	1450	<50.0	1610	73.8	<500	NA	20.68	5.25	15.43	NA	NA
S-9	07/23/1999	12200	1020	<20.0	536	<20.0	<200	NA	20.68	6.71	13.97	NA	NA
S-9	10/26/1999	9580	1170	11.9	566	23.1	<50.0	NA	20.68	7.27	13.41	NA	NA
S-9	10/26/1999	9580	1170	11.9	566	23.1	<50.0	NA	20.68	7.27	13.41	NA	NA
S-9	01/03/2000	9660	689	<50.0	640	<50.0	<250	NA	20.68	7.47	13.21	NA	NA
S-9	04/14/2000	14000	1040	<50.0	1210	<50.0	<250	NA	20.68	5.75	14.93	NA	NA
S-9	07/12/2000	13200	1360	33.9	552	26.8	<100	NA	20.68	6.63	14.05	NA	NA
S-9	11/01/2000	9120	928	13.5	468	<10.0	<50.0	NA	20.68	5.50	15.18	NA	NA
S-9	01/03/2001	355	19.8	0.732	2.23	0.630	5.09	NA	20.68	7.11	13.57	NA	NA
S-9	04/24/2001	3500	300	1.7	150	1.7	NA	<1.0	20.68	6.30	14.38	NA	NA
S-9	07/02/2001	88	3.8	<0.50	<0.50	<0.50	NA	<5.0	20.68	8.18	12.50	NA	2.6

WELL CONCENTRATIONS
Former Shell Service Station
15275 Washington Boulevard
San Leandro, CA

Well ID	Date	TPPH (ug/L)	B (ug/L)	T (ug/L)	E (ug/L)	X (ug/L)	MTBE 8020 (ug/L)	MTBE 8260 (ug/L)	TOC (MSL)	Depth to Water (ft.)	GW Elevation (MSL)	SPH Thickness (ft.)	DO Reading (ppm)
---------	------	----------------	-------------	-------------	-------------	-------------	------------------------	------------------------	--------------	----------------------------	--------------------------	---------------------------	------------------------

S-9	11/02/2001	210	9.5	<0.50	<0.50	<0.50	NA	<5.0	20.68	8.40	12.28	NA	16.4
S-9	01/16/2002	15000	520	4.9	580	7.1	NA	<20	20.68	5.71	14.97	NA	0.5
S-9	04/01/2002	15000	530	5.1	920	7.8	NA	<25	20.68	5.99	14.69	NA	3.0
S-9	07/11/2002	10000	520	5.3	97	5.8	NA	<25	20.68	6.99	13.69	NA	0.5
S-9	10/28/2002	11000	580	6.2	65	5.3	NA	<2.5	20.70	7.63	13.07	NA	1.0
S-9	01/23/2003	9300	400	5.6	320	6.5	NA	<5.0	20.70	5.96	14.74	NA	0.5
S-9	04/30/2003	180	4.2	<0.50	3.7	<1.0	NA	<5.0	20.70	5.20	15.50	NA	7.0
S-9	07/01/2003	2200	71	0.94	6.4	<1.0	NA	<0.50	20.70	7.78	12.92	NA	0.9
S-9	10/08/2003	<50	<0.50	<0.50	<0.50	<1.0	NA	<0.50	20.70	7.38	13.32	NA	16.2
S-9	01/22/2004	1400	26	<1.0	14	12	NA	NA	20.70	6.51	14.19	NA	0.7
S-9	07/13/2004	1900	36	<1.0	2.0	<2.0	NA	<1.0	20.70	8.51	12.19	NA	17.1
S-9	01/20/2005	3600	60	1.2	50	<2.0	NA	NA	20.70	5.80	14.90	NA	0.4
S-9	07/19/2005	2800	42	1.4	18	<2.0	NA	NA	20.70	7.50	13.20	NA	NA
S-9	01/27/2006	16800	152	4.74	165	6.77	NA	NA	20.70	6.40	14.30	NA	NA
S-9	07/25/2006	22500	79.3	2.32	27.2	<3.00	NA	NA	20.70	6.92	13.78	NA	NA
S-9	01/04/2007	5800	82	3.2	110	<5.0	NA	NA	20.70	6.40	14.30	NA	NA

S-10	11/16/1988	330	0.5	<1	1.0	11	NA	NA	20.86	7.91	12.95	NA	NA
S-10	02/27/1989	140	<0.5	<3	2.0	6.0	NA	NA	20.86	NA	NA	NA	NA
S-10	05/03/1989	220	<0.5	1.0	2.0	7.0	NA	NA	20.86	NA	NA	NA	NA
S-10	08/10/1989	<50	<0.5	<1	<1	<3	NA	NA	20.86	7.94	12.92	NA	NA
S-10	10/09/1989	170	<0.5	<1	<1	<3	NA	NA	20.86	7.99	12.87	NA	NA
S-10	01/25/1990	<50	<0.5	<0.5	1.1	4.0	NA	NA	20.86	7.56	13.30	NA	NA
S-10	04/18/1990	<50	<0.5	0.9	<0.5	2.0	NA	NA	20.86	7.71	13.15	NA	NA
S-10	07/23/1990	590	<0.5	<0.5	1.9	19	NA	NA	20.86	7.64	13.22	NA	NA
S-10	10/18/1990	140	<0.5	0.7	<0.5	7.0	NA	NA	20.86	8.58	12.28	NA	NA
S-10	01/28/1991	<50	<0.5	<0.5	<0.5	0.5	NA	NA	20.86	8.35	12.51	NA	NA
S-10	04/25/1991	<50	<0.5	<0.5	1.1	0.8	NA	NA	20.69	6.91	13.78	NA	NA

WELL CONCENTRATIONS
Former Shell Service Station
15275 Washington Boulevard
San Leandro, CA

Well ID	Date	TPPH (ug/L)	B (ug/L)	T (ug/L)	E (ug/L)	X (ug/L)	MTBE 8020 (ug/L)	MTBE 8260 (ug/L)	TOC (MSL)	Depth to Water (ft.)	GW Elevation (MSL)	SPH Thickness (ft.)	DO Reading (ppm)
S-10	07/09/1991	<50	<0.5	<0.5	<0.5	<0.5	NA	NA	20.69	8.14	12.55	NA	NA
S-10	10/08/1991	140	<0.5	<0.5	<0.5	<0.5	NA	NA	20.69	8.70	11.99	NA	NA
S-10	02/05/1992	<50	<0.5	<0.5	<0.5	<0.5	NA	NA	20.69	7.57	13.12	NA	NA
S-10	04/28/1992	<50	<0.5	<0.5	<0.5	<0.5	NA	NA	20.69	7.20	13.49	NA	NA
S-10	07/27/1992	<50	<0.5	<0.5	<0.5	<0.5	NA	NA	20.69	8.17	12.52	NA	NA
S-10	10/26/1992	<50	<0.5	<0.5	<0.5	<0.5	NA	NA	20.69	8.68	12.01	NA	NA
S-10	01/13/1993	88	<0.5	0.6	0.6	<0.5	NA	NA	20.69	3.78	16.91	NA	NA
S-10	04/16/1993	80	<0.5	<0.5	<0.5	<0.5	NA	NA	20.69	6.46	14.23	NA	NA
S-10	07/23/1993	<50	1.5	<0.5	0.7	2.7	NA	NA	20.69	7.38	13.31	NA	NA
S-10	10/27/1993	<50	<0.5	<0.5	<0.5	<0.5	NA	NA	20.69	8.09	12.60	NA	NA
S-10	01/27/1994	270	1.1	1.3	2.0	7.4	NA	NA	20.69	5.81	14.88	NA	NA
S-10	05/05/1994	<50	<0.5	<0.5	<0.5	<0.5	NA	NA	20.15	6.82	13.33	NA	NA
S-10	07/26/1994	<50	<0.3	<0.3	<0.3	<0.6	NA	NA	20.15	7.40	12.75	NA	NA
S-10	10/28/1994	<50	2.4	<0.3	0.5	0.8	NA	NA	20.15	7.62	12.53	NA	NA
S-10	01/02/1995	<50	<0.5	<0.5	<0.5	<0.5	NA	NA	20.15	6.13	14.02	NA	NA
S-10	04/14/1995	<50	<0.5	<0.5	<0.5	<0.5	NA	NA	20.15	5.60	14.55	NA	NA
S-10	07/28/1995	<50	<0.5	<0.5	<0.5	<0.5	NA	NA	20.15	6.44	13.71	NA	NA
S-10	10/17/1995	<50	<0.5	<0.5	<0.5	<0.5	NA	NA	20.15	6.85	13.30	NA	NA
S-10	01/11/1996	<50	<0.5	<0.5	<0.5	<0.5	<2	NA	20.15	6.08	14.07	NA	NA
S-10	04/02/1996	NA	NA	NA	NA	NA	NA	NA	20.15	5.21	14.94	NA	NA
S-10	07/09/1996	NA	NA	NA	NA	NA	NA	NA	20.15	6.20	13.95	NA	NA
S-10	10/10/1996	NA	NA	NA	NA	NA	NA	NA	20.15	6.92	13.23	NA	NA
S-10	01/09/1997	<50	<0.50	<0.50	<0.50	<0.50	<2.5	NA	20.15	4.64	15.51	NA	NA
S-10	04/08/1997	NA	NA	NA	NA	NA	NA	NA	20.15	5.82	14.33	NA	NA
S-10	07/21/1997	NA	NA	NA	NA	NA	NA	NA	20.15	6.48	13.67	NA	NA
S-10	10/08/1997	NA	NA	NA	NA	NA	NA	NA	20.15	5.48	14.67	NA	NA
S-10	01/15/1998	<50	<0.50	<0.50	<0.50	<0.50	<2.5	NA	20.15	3.01	17.14	NA	NA
S-10	04/14/1998	NA	NA	NA	NA	NA	NA	NA	20.15	4.30	15.85	NA	NA

WELL CONCENTRATIONS
Former Shell Service Station
15275 Washington Boulevard
San Leandro, CA

Well ID	Date	TPPH (ug/L)	B (ug/L)	T (ug/L)	E (ug/L)	X (ug/L)	MTBE 8020 (ug/L)	MTBE 8260 (ug/L)	TOC (MSL)	Depth to Water (ft.)	GW Elevation (MSL)	SPH Thickness (ft.)	DO Reading (ppm)
S-10	07/14/1998	NA	NA	NA	NA	NA	NA	NA	20.15	5.84	14.31	NA	NA
S-10	10/20/1998	NA	NA	NA	NA	NA	NA	NA	20.15	6.89	13.26	NA	NA
S-10	01/22/1999	<50.0	<0.500	<0.500	<0.500	<0.500	<2.00	NA	20.15	6.00	14.15	NA	NA
S-10	04/08/1999	NA	NA	NA	NA	NA	NA	NA	20.15	4.41	15.74	NA	NA
S-10	07/23/1999	NA	NA	NA	NA	NA	NA	NA	20.15	6.48	13.67	NA	NA
S-10	10/26/1999	NA	NA	NA	NA	NA	NA	NA	20.15	7.07	13.08	NA	NA
S-10	01/03/2000	<50.0	<0.500	<0.500	<0.500	<0.500	<2.50	NA	20.15	7.27	12.88	NA	NA
S-10	04/14/2000	NA	NA	NA	NA	NA	NA	NA	20.15	5.75	14.40	NA	NA
S-10	07/12/2000	NA	NA	NA	NA	NA	NA	NA	20.15	6.17	13.98	NA	NA
S-10	11/01/2000	NA	NA	NA	NA	NA	NA	NA	20.15	5.63	14.52	NA	NA
S-10	01/03/2001	<50.0	<0.500	<0.500	<0.500	<0.500	<2.50	NA	20.15	6.89	13.26	NA	NA
S-10	04/24/2001	NA	NA	NA	NA	NA	NA	NA	20.15	6.20	13.95	NA	NA
S-10	07/02/2001	NA	NA	NA	NA	NA	NA	NA	20.15	6.80	13.35	NA	NA
S-10	11/02/2001	NA	NA	NA	NA	NA	NA	NA	20.15	7.40	12.75	NA	NA
S-10	01/16/2002	<50	<0.50	<0.50	<0.50	<0.50	NA	<5.0	20.15	5.66	14.49	NA	NA
S-10	04/01/2002	NA	NA	NA	NA	NA	NA	NA	20.15	5.63	14.52	NA	NA
S-10	07/11/2002	NA	NA	NA	NA	NA	NA	NA	20.15	6.72	13.43	NA	NA
S-10	10/28/2002	NA	NA	NA	NA	NA	NA	NA	20.14	7.50	12.64	NA	NA
S-10	01/23/2003	<50	<0.50	<0.50	<0.50	<0.50	NA	<5.0	20.14	5.97	14.17	NA	NA
S-10	04/30/2003	NA	NA	NA	NA	NA	NA	NA	20.14	5.24	14.90	NA	NA
S-10	07/01/2003	NA	NA	NA	NA	NA	NA	NA	20.14	6.82	13.32	NA	NA
S-10	10/08/2003	NA	NA	NA	NA	NA	NA	NA	20.14	7.06	13.08	NA	NA
S-10	01/22/2004	<50	<0.50	<0.50	<0.50	<1.0	NA	NA	20.14	6.50	13.64	NA	NA
S-10	07/13/2004	NA	NA	NA	NA	NA	NA	NA	20.14	7.49	12.65	NA	NA
S-10	01/20/2005	<50	<0.50	<0.50	<0.50	<1.0	NA	NA	20.14	5.09	15.05	NA	NA
S-10	07/19/2005	NA	NA	NA	NA	NA	NA	NA	20.14	6.00	14.14	NA	NA
S-10	01/27/2006	<50.0	<0.500	<0.500	<0.500	<0.500	NA	NA	20.14	5.61	14.53	NA	NA
S-10	07/25/2006	NA	NA	NA	NA	NA	NA	NA	20.14	6.61	13.53	NA	NA

WELL CONCENTRATIONS
Former Shell Service Station
15275 Washington Boulevard
San Leandro, CA

Well ID	Date	TPPH (ug/L)	B (ug/L)	T (ug/L)	E (ug/L)	X (ug/L)	MTBE 8020 (ug/L)	MTBE 8260 (ug/L)	TOC (MSL)	Depth to Water (ft.)	GW Elevation (MSL)	SPH Thickness (ft.)	DO Reading (ppm)
S-10	01/04/2007	<50	<0.50	<0.50	<0.50	<1.0	NA	NA	20.14	6.29	13.85	NA	NA
S-11	11/16/1988	<50	<0.5	<1	<1	<3	NA	NA	21.26	8.62	12.64	NA	NA
S-11	02/27/1989	<50	<0.5	<1	<1	<3	NA	NA	21.26	NA	NA	NA	NA
S-11	05/03/1989	<50	<0.5	<1	<1	<3	NA	NA	21.26	NA	NA	NA	NA
S-11	08/10/1989	<50	<0.5	<1	<1	<3	NA	NA	21.26	8.65	12.61	NA	NA
S-11	10/09/1989	<50	<0.5	<1	<1	<3	NA	NA	21.26	8.64	12.62	NA	NA
S-11	01/25/1990	<50	<0.5	<0.5	<0.5	<1	NA	NA	21.26	8.43	12.83	NA	NA
S-11	04/18/1990	<50	<0.5	<0.5	<0.5	<1	NA	NA	21.26	8.42	12.84	NA	NA
S-11	07/23/1990	<50	<0.5	0.6	<0.5	1.1	NA	NA	21.26	8.23	13.03	NA	NA
S-11	10/18/1990	<50	<0.5	<0.5	<0.5	0.5	NA	NA	21.26	9.20	12.06	NA	NA
S-11	01/28/1991	63	<0.5	3.3	0.9	7.0	NA	NA	21.26	9.13	12.13	NA	NA
S-11	04/25/1991	<50	<0.5	<0.5	0.8	<0.5	NA	NA	21.26	7.53	13.73	NA	NA
S-11	07/09/1991	<50	<0.5	<0.5	<0.5	<0.5	NA	NA	21.26	8.85	12.41	NA	NA
S-11	10/08/1991	<50	<0.5	<0.5	<0.5	<0.5	NA	NA	21.26	9.34	11.92	NA	NA
S-11	02/05/1991	NA	NA	NA	NA	NA	NA	NA	21.26	8.50	12.76	NA	NA
S-11	04/28/1992	<50	<0.5	<0.5	<0.5	<0.5	NA	NA	21.26	7.80	13.46	NA	NA
S-11	07/27/1992	<50	<0.5	<0.5	<0.5	<0.5	NA	NA	21.26	8.80	12.46	NA	NA
S-11	10/26/1992	<50	<0.5	<0.5	<0.5	<0.5	NA	NA	21.26	9.42	11.84	NA	NA
S-11	01/13/1993	NA	NA	NA	NA	NA	NA	NA	21.26	6.52	14.74	NA	NA
S-11	04/16/1993	<50	<0.5	<0.5	<0.5	<0.5	NA	NA	21.26	6.86	14.40	NA	NA
S-11	07/23/1993	NA	NA	NA	NA	NA	NA	NA	21.26	8.07	13.19	NA	NA
S-11	10/27/1993	Well inaccessible		NA	NA	NA	NA	NA	21.26	NA	NA	NA	NA
S-11	01/27/1994	NA	NA	NA	NA	NA	NA	NA	21.26	NA	NA	NA	NA
S-11	05/05/1994	<50	<0.5	<0.5	<0.5	<0.5	NA	NA	21.24	7.73	13.51	NA	NA
S-11	07/26/1994	NA	NA	NA	NA	NA	NA	NA	21.24	8.30	12.94	NA	NA
S-11	10/28/1994	<50	<0.3	<0.3	<0.3	<0.6	NA	NA	21.24	8.30	12.94	NA	NA
S-11	01/02/1995	NA	NA	NA	NA	NA	NA	NA	21.24	7.25	13.99	NA	NA

WELL CONCENTRATIONS
Former Shell Service Station
15275 Washington Boulevard
San Leandro, CA

Well ID	Date	TPPH (ug/L)	B (ug/L)	T (ug/L)	E (ug/L)	X (ug/L)	MTBE 8020 (ug/L)	MTBE 8260 (ug/L)	TOC (MSL)	Depth to Water (ft.)	GW Elevation (MSL)	SPH Thickness (ft.)	DO Reading (ppm)
---------	------	----------------	-------------	-------------	-------------	-------------	------------------------	------------------------	--------------	----------------------------	--------------------------	---------------------------	------------------------

S-11	04/14/1995	<50	<0.5	<0.5	<0.5	<0.5	NA	NA	21.24	6.99	14.25	NA	NA
S-11	07/28/1995	NA	NA	NA	NA	NA	NA	NA	21.24	7.21	14.03	NA	NA
S-11	10/17/1995	<50	<0.5	<0.5	<0.5	<0.5	NA	NA	21.24	7.41	13.83	NA	NA
S-11	01/11/1996	NA	NA	NA	NA	NA	NA	NA	21.24	6.80	14.44	NA	NA
S-11	07/21/1997	<50	<0.50	<0.50	<0.50	<0.50	<2.5	NA	21.24	7.28	13.96	NA	NA
S-11	03/18/2002 d	NA	NA	NA	NA	NA	NA	NA	21.27	NA	NA	NA	NA
S-11	01/22/2004	<50	<0.50	<0.50	<0.50	<1.0	NA	0.57	21.27	7.55	13.72	NA	NA

S-12	11/16/1988	50	3.5	<1	<1	<3	NA	NA	21.05	NA	NA	NA	NA
S-12	02/27/1989	<50	0.8	<1	<1	<3	NA	NA	21.05	NA	NA	NA	NA
S-12	05/03/1989	<50	<0.5	<1	<1	<3	NA	NA	21.05	NA	NA	NA	NA
S-12	08/10/1989	<50	<0.5	<1	<1	<3	NA	NA	21.05	8.32	12.73	NA	NA
S-12	10/09/1989	<50	<0.5	<1	<1	<1	NA	NA	21.05	8.32	12.73	NA	NA
S-12	01/25/1990	<50	<0.5	<0.5	<0.5	<1	NA	NA	21.05	8.18	12.87	NA	NA
S-12	04/18/1990	<50	<0.5	<0.5	<0.5	<0.5	NA	NA	21.05	8.05	13.00	NA	NA
S-12	07/23/1990	<50	<0.5	<0.5	<0.5	<0.5	NA	NA	21.05	7.92	13.13	NA	NA
S-12	10/18/1990	<50	<0.5	<0.5	<0.5	<0.5	NA	NA	21.05	8.90	12.15	NA	NA
S-12	01/28/1991	<50	<0.5	<0.5	<0.5	<0.5	NA	NA	21.05	8.54	12.51	NA	NA
S-12	04/25/1991	90	5.4	<0.5	1.1	0.7	NA	NA	21.05	7.08	13.97	NA	NA
S-12	07/09/1991	<50	2.9	<0.5	<0.5	<0.5	NA	NA	21.05	8.42	12.63	NA	NA
S-12	10/08/1991	50	<0.5	<0.5	<0.5	<0.5	NA	NA	21.05	8.80	12.25	NA	NA
S-12	02/05/1992	50a	<0.5	<0.5	<0.5	<0.5	NA	NA	21.05	8.07	12.98	NA	NA
S-12	04/28/1992	<50	<0.5	<0.5	<0.5	<0.5	NA	NA	21.05	8.33	12.72	NA	NA
S-12	07/27/1992	94	<0.5	<0.5	<0.5	<0.5	NA	NA	21.05	8.55	12.50	NA	NA
S-12	10/26/1992	86	<0.5	<0.5	<0.5	<0.5	NA	NA	21.05	9.03	12.02	NA	NA
S-12	01/14/1993	120	2.0	<0.5	<0.5	<0.5	NA	NA	21.05	6.38	14.67	NA	NA
S-12	04/16/1993	60	<0.5	<0.5	<0.5	<0.5	NA	NA	21.05	6.56	14.49	NA	NA
S-12	07/23/1993	90	<0.5	<0.5	<0.5	<0.5	NA	NA	21.05	7.76	13.29	NA	NA

WELL CONCENTRATIONS
Former Shell Service Station
15275 Washington Boulevard
San Leandro, CA

Well ID	Date	TPPH (ug/L)	B (ug/L)	T (ug/L)	E (ug/L)	X (ug/L)	MTBE 8020 (ug/L)	MTBE 8260 (ug/L)	TOC (MSL)	Depth to Water (ft.)	GW Elevation (MSL)	SPH Thickness (ft.)	DO Reading (ppm)
S-9	08/10/1989	520	73	<10	40	<30	NA	NA	20.96	7.82	13.14	NA	NA
S-9	10/10/1989	380	82	<1	46	13	NA	NA	20.96	7.87	13.09	NA	NA
S-9	01/25/1990	750	140	1.2	69	75	NA	NA	20.96	7.41	13.55	NA	NA
S-9	04/18/1990	680	150	1.7	50	37	NA	NA	20.96	7.65	13.31	NA	NA
S-9	07/23/1990	490	94	1.2	32	24	NA	NA	20.96	7.58	13.38	NA	NA
S-9	10/18/1990	390	140	0.7	3.3	24	NA	NA	20.96	8.46	12.50	NA	NA
S-9	01/28/1991	1040	450	4.6	85	97	NA	NA	20.96	8.29	12.67	NA	NA
S-9	04/25/1991	5800	880	9.0	360	500	NA	NA	20.96	6.09	14.87	NA	NA
S-9	07/09/1991	1400	220	2.8	82	100	NA	NA	20.96	7.82	13.14	NA	NA
S-9	10/08/1991	890	960	<2.5	16	29	NA	NA	20.96	8.55	12.41	NA	NA
S-9	02/05/1992	950	240	<2.5	28	55	NA	NA	20.96	6.96	14.00	NA	NA
S-9	04/28/1992	1400a	290	3.0	100	81	NA	NA	20.96	6.76	14.20	NA	NA
S-9	07/27/1992	890	190	<2.5	66	68	NA	NA	20.96	8.10	12.86	NA	NA
S-9	10/26/1992	650	160	<2.5	63	89	NA	NA	20.96	8.53	12.43	NA	NA
S-9	01/13/1993	19000	2400	38	1700	2200	NA	NA	20.96	6.80	14.16	NA	NA
S-9	04/16/1993	10000	1500	<5	1100	990	NA	NA	20.96	6.28	14.68	NA	NA
S-9	07/23/1993	1100	400	<5	260	160	NA	NA	20.96	7.26	13.70	NA	NA
S-9	10/27/1993	2500	400	<5	190	110	NA	NA	20.96	8.00	12.96	NA	NA
S-9	01/27/1994	4800	990	16	630	490	NA	NA	20.96	5.96	15.00	NA	NA
S-9	05/05/1994	3700	480	<5	21	120	NA	NA	20.68	6.99	13.69	NA	NA
S-9	07/26/1994	1000	124.6	<0.3	35.8	28.6	NA	NA	20.68	7.56	13.12	NA	NA
S-9	10/28/1994	979	80.3	7.0	21.7	29.2	NA	NA	20.68	7.78	12.90	NA	NA
S-9	01/02/1995	3900	540	2.4	350	150	NA	NA	20.68	6.29	14.39	NA	NA
S-9	04/14/1995	5100	1000	<10	380	230	NA	NA	20.68	5.69	14.99	NA	NA
S-9	07/28/1995	4600	680	<10	120	47	NA	NA	20.68	6.61	14.07	NA	NA
S-9	10/17/1995	1600	150	<0.5	42	15	NA	NA	20.68	7.00	13.68	NA	NA
S-9	01/11/1996	6800	1100	12	720	95	24	NA	20.68	6.20	14.48	NA	NA
S-9	04/02/1996	6000	1300	8.3	430	99	49	NA	20.68	5.19	15.49	NA	NA

WELL CONCENTRATIONS
Former Shell Service Station
15275 Washington Boulevard
San Leandro, CA

Well ID	Date	TPPH (ug/L)	B (ug/L)	T (ug/L)	E (ug/L)	X (ug/L)	MTBE 8020 (ug/L)	MTBE 8260 (ug/L)	TOC (MSL)	Depth to Water (ft.)	GW Elevation (MSL)	SPH Thickness (ft.)	DO Reading (ppm)
S-9	08/10/1989	520	73	<10	40	<30	NA	NA	20.96	7.82	13.14	NA	NA
S-9	10/10/1989	380	82	<1	46	13	NA	NA	20.96	7.87	13.09	NA	NA
S-9	01/25/1990	750	140	1.2	69	75	NA	NA	20.96	7.41	13.55	NA	NA
S-9	04/18/1990	680	150	1.7	50	37	NA	NA	20.96	7.65	13.31	NA	NA
S-9	07/23/1990	490	94	1.2	32	24	NA	NA	20.96	7.58	13.38	NA	NA
S-9	10/18/1990	390	140	0.7	3.3	24	NA	NA	20.96	8.46	12.50	NA	NA
S-9	01/28/1991	1040	450	4.6	85	97	NA	NA	20.96	8.29	12.67	NA	NA
S-9	04/25/1991	5800	880	9.0	360	500	NA	NA	20.96	6.09	14.87	NA	NA
S-9	07/09/1991	1400	220	2.8	82	100	NA	NA	20.96	7.82	13.14	NA	NA
S-9	10/08/1991	890	960	<2.5	16	29	NA	NA	20.96	8.55	12.41	NA	NA
S-9	02/05/1992	950	240	<2.5	28	55	NA	NA	20.96	6.96	14.00	NA	NA
S-9	04/28/1992	1400a	290	3.0	100	81	NA	NA	20.96	6.76	14.20	NA	NA
S-9	07/27/1992	890	190	<2.5	66	68	NA	NA	20.96	8.10	12.86	NA	NA
S-9	10/26/1992	650	160	<2.5	63	89	NA	NA	20.96	8.53	12.43	NA	NA
S-9	01/13/1993	19000	2400	38	1700	2200	NA	NA	20.96	6.80	14.16	NA	NA
S-9	04/16/1993	10000	1500	<5	1100	990	NA	NA	20.96	6.28	14.68	NA	NA
S-9	07/23/1993	1100	400	<5	260	160	NA	NA	20.96	7.26	13.70	NA	NA
S-9	10/27/1993	2500	400	<5	190	110	NA	NA	20.96	8.00	12.96	NA	NA
S-9	01/27/1994	4800	990	16	630	490	NA	NA	20.96	5.96	15.00	NA	NA
S-9	05/05/1994	3700	480	<5	21	120	NA	NA	20.68	6.99	13.69	NA	NA
S-9	07/26/1994	1000	124.6	<0.3	35.8	28.6	NA	NA	20.68	7.56	13.12	NA	NA
S-9	10/28/1994	979	80.3	7.0	21.7	29.2	NA	NA	20.68	7.78	12.90	NA	NA
S-9	01/02/1995	3900	540	2.4	350	150	NA	NA	20.68	6.29	14.39	NA	NA
S-9	04/14/1995	5100	1000	<10	380	230	NA	NA	20.68	5.69	14.99	NA	NA
S-9	07/28/1995	4600	680	<10	120	47	NA	NA	20.68	6.61	14.07	NA	NA
S-9	10/17/1995	1600	150	<0.5	42	15	NA	NA	20.68	7.00	13.68	NA	NA
S-9	01/11/1996	6800	1100	12	720	95	24	NA	20.68	6.20	14.48	NA	NA
S-9	04/02/1996	6000	1300	8.3	430	99	49	NA	20.68	5.19	15.49	NA	NA

WELL CONCENTRATIONS
Former Shell Service Station
15275 Washington Boulevard
San Leandro, CA

Well ID	Date	TPPH (ug/L)	B (ug/L)	T (ug/L)	E (ug/L)	X (ug/L)	MTBE 8020 (ug/L)	MTBE 8260 (ug/L)	TOC (MSL)	Depth to Water (ft.)	GW Elevation (MSL)	SPH Thickness (ft.)	DO Reading (ppm)
S-9 (D)	04/02/1996	6500	1200	8.3	410	90	<20	NA	20.68	NA	NA	NA	NA
S-9	07/09/1996	3400	680	6.7	54	31	<25	NA	20.68	6.43	14.25	NA	NA
S-9 (D)	07/09/1996	3300	730	<5.0	58	28	<25	NA	20.68	NA	NA	NA	NA
S-9	10/10/1996	6600	1200	<10	160	<10	70	NA	20.68	7.08	13.60	NA	NA
S-9 (D)	10/10/1996	6100	1000	<10	200	15	65	NA	20.68	NA	NA	NA	NA
S-9	01/09/1997	12000	1400	<25	1000	39	<125	NA	20.68	5.03	15.65	NA	NA
S-9	04/08/1997	6600	920	10	230	26	150	NA	20.68	6.78	13.90	NA	NA
S-9	07/21/1997	7800	860	13	260	14	87	NA	20.68	6.77	13.91	NA	NA
S-9	10/08/1997	4600	320	<10	61	<10	28	NA	20.68	6.92	13.76	NA	NA
S-9	01/15/1998	9300	1000	<10	730	24	<50	NA	20.68	4.50	16.18	NA	NA
S-9	04/14/1998	12000	1200	<2.5	960	<2.5	<12	NA	20.68	4.35	16.33	NA	NA
S-9 (D)	04/14/1998	12000	1200	<2.5	930	<2.5	<12	NA	20.68	NA	NA	NA	NA
S-9	07/14/1998	12000	1700	<25	990	39	<125	NA	20.68	5.95	14.73	NA	NA
S-9 (D)	07/14/1998	11000	1800	<25	650	<25	<125	NA	20.68	NA	NA	NA	NA
S-9	10/20/1998	14000	1600	<25	560	<25	340	NA	20.68	7.03	13.65	NA	NA
S-9 (D)	10/20/1998	11000	1100	<10	230	<10	100	NA	20.68	NA	NA	NA	NA
S-9	01/22/1999	9900	1030	26.7	819	27.5	46.8	NA	20.68	6.01	14.67	NA	NA
S-9	04/08/1999	17900	1450	<50.0	1610	73.8	<500	NA	20.68	5.25	15.43	NA	NA
S-9	07/23/1999	12200	1020	<20.0	536	<20.0	<200	NA	20.68	6.71	13.97	NA	NA
S-9	10/26/1999	9580	1170	11.9	566	23.1	<50.0	NA	20.68	7.27	13.41	NA	NA
S-9	10/26/1999	9580	1170	11.9	566	23.1	<50.0	NA	20.68	7.27	13.41	NA	NA
S-9	01/03/2000	9660	689	<50.0	640	<50.0	<250	NA	20.68	7.47	13.21	NA	NA
S-9	04/14/2000	14000	1040	<50.0	1210	<50.0	<250	NA	20.68	5.75	14.93	NA	NA
S-9	07/12/2000	13200	1360	33.9	552	26.8	<100	NA	20.68	6.63	14.05	NA	NA
S-9	11/01/2000	9120	928	13.5	468	<10.0	<50.0	NA	20.68	5.50	15.18	NA	NA
S-9	01/03/2001	355	19.8	0.732	2.23	0.630	5.09	NA	20.68	7.11	13.57	NA	NA
S-9	04/24/2001	3500	300	1.7	150	1.7	NA	<1.0	20.68	6.30	14.38	NA	NA
S-9	07/02/2001	88	3.8	<0.50	<0.50	<0.50	NA	<5.0	20.68	8.18	12.50	NA	2.6

WELL CONCENTRATIONS
Former Shell Service Station
15275 Washington Boulevard
San Leandro, CA

Well ID	Date	TPPH (ug/L)	B (ug/L)	T (ug/L)	E (ug/L)	X (ug/L)	MTBE 8020 (ug/L)	MTBE 8260 (ug/L)	TOC (MSL)	Depth to Water (ft.)	GW Elevation (MSL)	SPH Thickness (ft.)	DO Reading (ppm)
---------	------	----------------	-------------	-------------	-------------	-------------	------------------------	------------------------	--------------	----------------------------	--------------------------	---------------------------	------------------------

S-9	11/02/2001	210	9.5	<0.50	<0.50	<0.50	NA	<5.0	20.68	8.40	12.28	NA	16.4
S-9	01/16/2002	15000	520	4.9	580	7.1	NA	<20	20.68	5.71	14.97	NA	0.5
S-9	04/01/2002	15000	530	5.1	920	7.8	NA	<25	20.68	5.99	14.69	NA	3.0
S-9	07/11/2002	10000	520	5.3	97	5.8	NA	<25	20.68	6.99	13.69	NA	0.5
S-9	10/28/2002	11000	580	6.2	65	5.3	NA	<2.5	20.70	7.63	13.07	NA	1.0
S-9	01/23/2003	9300	400	5.6	320	6.5	NA	<5.0	20.70	5.96	14.74	NA	0.5
S-9	04/30/2003	180	4.2	<0.50	3.7	<1.0	NA	<5.0	20.70	5.20	15.50	NA	7.0
S-9	07/01/2003	2200	71	0.94	6.4	<1.0	NA	<0.50	20.70	7.78	12.92	NA	0.9
S-9	10/08/2003	<50	<0.50	<0.50	<0.50	<1.0	NA	<0.50	20.70	7.38	13.32	NA	16.2
S-9	01/22/2004	1400	26	<1.0	14	12	NA	NA	20.70	6.51	14.19	NA	0.7
S-9	07/13/2004	1900	36	<1.0	2.0	<2.0	NA	<1.0	20.70	8.51	12.19	NA	17.1
S-9	01/20/2005	3600	60	1.2	50	<2.0	NA	NA	20.70	5.80	14.90	NA	0.4
S-9	07/19/2005	2800	42	1.4	18	<2.0	NA	NA	20.70	7.50	13.20	NA	NA
S-9	01/27/2006	16800	152	4.74	165	6.77	NA	NA	20.70	6.40	14.30	NA	NA
S-9	07/25/2006	22500	79.3	2.32	27.2	<3.00	NA	NA	20.70	6.92	13.78	NA	NA
S-9	01/04/2007	5800	82	3.2	110	<5.0	NA	NA	20.70	6.40	14.30	NA	NA

S-10	11/16/1988	330	0.5	<1	1.0	11	NA	NA	20.86	7.91	12.95	NA	NA
S-10	02/27/1989	140	<0.5	<3	2.0	6.0	NA	NA	20.86	NA	NA	NA	NA
S-10	05/03/1989	220	<0.5	1.0	2.0	7.0	NA	NA	20.86	NA	NA	NA	NA
S-10	08/10/1989	<50	<0.5	<1	<1	<3	NA	NA	20.86	7.94	12.92	NA	NA
S-10	10/09/1989	170	<0.5	<1	<1	<3	NA	NA	20.86	7.99	12.87	NA	NA
S-10	01/25/1990	<50	<0.5	<0.5	1.1	4.0	NA	NA	20.86	7.56	13.30	NA	NA
S-10	04/18/1990	<50	<0.5	0.9	<0.5	2.0	NA	NA	20.86	7.71	13.15	NA	NA
S-10	07/23/1990	590	<0.5	<0.5	1.9	19	NA	NA	20.86	7.64	13.22	NA	NA
S-10	10/18/1990	140	<0.5	0.7	<0.5	7.0	NA	NA	20.86	8.58	12.28	NA	NA
S-10	01/28/1991	<50	<0.5	<0.5	<0.5	0.5	NA	NA	20.86	8.35	12.51	NA	NA
S-10	04/25/1991	<50	<0.5	<0.5	1.1	0.8	NA	NA	20.69	6.91	13.78	NA	NA

WELL CONCENTRATIONS
Former Shell Service Station
15275 Washington Boulevard
San Leandro, CA

Well ID	Date	TPPH (ug/L)	B (ug/L)	T (ug/L)	E (ug/L)	X (ug/L)	MTBE 8020 (ug/L)	MTBE 8260 (ug/L)	TOC (MSL)	Depth to Water (ft.)	GW Elevation (MSL)	SPH Thickness (ft.)	DO Reading (ppm)
S-10	07/09/1991	<50	<0.5	<0.5	<0.5	<0.5	NA	NA	20.69	8.14	12.55	NA	NA
S-10	10/08/1991	140	<0.5	<0.5	<0.5	<0.5	NA	NA	20.69	8.70	11.99	NA	NA
S-10	02/05/1992	<50	<0.5	<0.5	<0.5	<0.5	NA	NA	20.69	7.57	13.12	NA	NA
S-10	04/28/1992	<50	<0.5	<0.5	<0.5	<0.5	NA	NA	20.69	7.20	13.49	NA	NA
S-10	07/27/1992	<50	<0.5	<0.5	<0.5	<0.5	NA	NA	20.69	8.17	12.52	NA	NA
S-10	10/26/1992	<50	<0.5	<0.5	<0.5	<0.5	NA	NA	20.69	8.68	12.01	NA	NA
S-10	01/13/1993	88	<0.5	0.6	0.6	<0.5	NA	NA	20.69	3.78	16.91	NA	NA
S-10	04/16/1993	80	<0.5	<0.5	<0.5	<0.5	NA	NA	20.69	6.46	14.23	NA	NA
S-10	07/23/1993	<50	1.5	<0.5	0.7	2.7	NA	NA	20.69	7.38	13.31	NA	NA
S-10	10/27/1993	<50	<0.5	<0.5	<0.5	<0.5	NA	NA	20.69	8.09	12.60	NA	NA
S-10	01/27/1994	270	1.1	1.3	2.0	7.4	NA	NA	20.69	5.81	14.88	NA	NA
S-10	05/05/1994	<50	<0.5	<0.5	<0.5	<0.5	NA	NA	20.15	6.82	13.33	NA	NA
S-10	07/26/1994	<50	<0.3	<0.3	<0.3	<0.6	NA	NA	20.15	7.40	12.75	NA	NA
S-10	10/28/1994	<50	2.4	<0.3	0.5	0.8	NA	NA	20.15	7.62	12.53	NA	NA
S-10	01/02/1995	<50	<0.5	<0.5	<0.5	<0.5	NA	NA	20.15	6.13	14.02	NA	NA
S-10	04/14/1995	<50	<0.5	<0.5	<0.5	<0.5	NA	NA	20.15	5.60	14.55	NA	NA
S-10	07/28/1995	<50	<0.5	<0.5	<0.5	<0.5	NA	NA	20.15	6.44	13.71	NA	NA
S-10	10/17/1995	<50	<0.5	<0.5	<0.5	<0.5	NA	NA	20.15	6.85	13.30	NA	NA
S-10	01/11/1996	<50	<0.5	<0.5	<0.5	<0.5	<2	NA	20.15	6.08	14.07	NA	NA
S-10	04/02/1996	NA	NA	NA	NA	NA	NA	NA	20.15	5.21	14.94	NA	NA
S-10	07/09/1996	NA	NA	NA	NA	NA	NA	NA	20.15	6.20	13.95	NA	NA
S-10	10/10/1996	NA	NA	NA	NA	NA	NA	NA	20.15	6.92	13.23	NA	NA
S-10	01/09/1997	<50	<0.50	<0.50	<0.50	<0.50	<2.5	NA	20.15	4.64	15.51	NA	NA
S-10	04/08/1997	NA	NA	NA	NA	NA	NA	NA	20.15	5.82	14.33	NA	NA
S-10	07/21/1997	NA	NA	NA	NA	NA	NA	NA	20.15	6.48	13.67	NA	NA
S-10	10/08/1997	NA	NA	NA	NA	NA	NA	NA	20.15	5.48	14.67	NA	NA
S-10	01/15/1998	<50	<0.50	<0.50	<0.50	<0.50	<2.5	NA	20.15	3.01	17.14	NA	NA
S-10	04/14/1998	NA	NA	NA	NA	NA	NA	NA	20.15	4.30	15.85	NA	NA

WELL CONCENTRATIONS
Former Shell Service Station
15275 Washington Boulevard
San Leandro, CA

Well ID	Date	TPPH (ug/L)	B (ug/L)	T (ug/L)	E (ug/L)	X (ug/L)	MTBE 8020 (ug/L)	MTBE 8260 (ug/L)	TOC (MSL)	Depth to Water (ft.)	GW Elevation (MSL)	SPH Thickness (ft.)	DO Reading (ppm)
S-10	07/14/1998	NA	NA	NA	NA	NA	NA	NA	20.15	5.84	14.31	NA	NA
S-10	10/20/1998	NA	NA	NA	NA	NA	NA	NA	20.15	6.89	13.26	NA	NA
S-10	01/22/1999	<50.0	<0.500	<0.500	<0.500	<0.500	<2.00	NA	20.15	6.00	14.15	NA	NA
S-10	04/08/1999	NA	NA	NA	NA	NA	NA	NA	20.15	4.41	15.74	NA	NA
S-10	07/23/1999	NA	NA	NA	NA	NA	NA	NA	20.15	6.48	13.67	NA	NA
S-10	10/26/1999	NA	NA	NA	NA	NA	NA	NA	20.15	7.07	13.08	NA	NA
S-10	01/03/2000	<50.0	<0.500	<0.500	<0.500	<0.500	<2.50	NA	20.15	7.27	12.88	NA	NA
S-10	04/14/2000	NA	NA	NA	NA	NA	NA	NA	20.15	5.75	14.40	NA	NA
S-10	07/12/2000	NA	NA	NA	NA	NA	NA	NA	20.15	6.17	13.98	NA	NA
S-10	11/01/2000	NA	NA	NA	NA	NA	NA	NA	20.15	5.63	14.52	NA	NA
S-10	01/03/2001	<50.0	<0.500	<0.500	<0.500	<0.500	<2.50	NA	20.15	6.89	13.26	NA	NA
S-10	04/24/2001	NA	NA	NA	NA	NA	NA	NA	20.15	6.20	13.95	NA	NA
S-10	07/02/2001	NA	NA	NA	NA	NA	NA	NA	20.15	6.80	13.35	NA	NA
S-10	11/02/2001	NA	NA	NA	NA	NA	NA	NA	20.15	7.40	12.75	NA	NA
S-10	01/16/2002	<50	<0.50	<0.50	<0.50	<0.50	NA	<5.0	20.15	5.66	14.49	NA	NA
S-10	04/01/2002	NA	NA	NA	NA	NA	NA	NA	20.15	5.63	14.52	NA	NA
S-10	07/11/2002	NA	NA	NA	NA	NA	NA	NA	20.15	6.72	13.43	NA	NA
S-10	10/28/2002	NA	NA	NA	NA	NA	NA	NA	20.14	7.50	12.64	NA	NA
S-10	01/23/2003	<50	<0.50	<0.50	<0.50	<0.50	NA	<5.0	20.14	5.97	14.17	NA	NA
S-10	04/30/2003	NA	NA	NA	NA	NA	NA	NA	20.14	5.24	14.90	NA	NA
S-10	07/01/2003	NA	NA	NA	NA	NA	NA	NA	20.14	6.82	13.32	NA	NA
S-10	10/08/2003	NA	NA	NA	NA	NA	NA	NA	20.14	7.06	13.08	NA	NA
S-10	01/22/2004	<50	<0.50	<0.50	<0.50	<1.0	NA	NA	20.14	6.50	13.64	NA	NA
S-10	07/13/2004	NA	NA	NA	NA	NA	NA	NA	20.14	7.49	12.65	NA	NA
S-10	01/20/2005	<50	<0.50	<0.50	<0.50	<1.0	NA	NA	20.14	5.09	15.05	NA	NA
S-10	07/19/2005	NA	NA	NA	NA	NA	NA	NA	20.14	6.00	14.14	NA	NA
S-10	01/27/2006	<50.0	<0.500	<0.500	<0.500	<0.500	NA	NA	20.14	5.61	14.53	NA	NA
S-10	07/25/2006	NA	NA	NA	NA	NA	NA	NA	20.14	6.61	13.53	NA	NA

WELL CONCENTRATIONS
Former Shell Service Station
15275 Washington Boulevard
San Leandro, CA

Well ID	Date	TPPH (ug/L)	B (ug/L)	T (ug/L)	E (ug/L)	X (ug/L)	MTBE 8020 (ug/L)	MTBE 8260 (ug/L)	TOC (MSL)	Depth to Water (ft.)	GW Elevation (MSL)	SPH Thickness (ft.)	DO Reading (ppm)
S-10	01/04/2007	<50	<0.50	<0.50	<0.50	<1.0	NA	NA	20.14	6.29	13.85	NA	NA
S-11	11/16/1988	<50	<0.5	<1	<1	<3	NA	NA	21.26	8.62	12.64	NA	NA
S-11	02/27/1989	<50	<0.5	<1	<1	<3	NA	NA	21.26	NA	NA	NA	NA
S-11	05/03/1989	<50	<0.5	<1	<1	<3	NA	NA	21.26	NA	NA	NA	NA
S-11	08/10/1989	<50	<0.5	<1	<1	<3	NA	NA	21.26	8.65	12.61	NA	NA
S-11	10/09/1989	<50	<0.5	<1	<1	<3	NA	NA	21.26	8.64	12.62	NA	NA
S-11	01/25/1990	<50	<0.5	<0.5	<0.5	<1	NA	NA	21.26	8.43	12.83	NA	NA
S-11	04/18/1990	<50	<0.5	<0.5	<0.5	<1	NA	NA	21.26	8.42	12.84	NA	NA
S-11	07/23/1990	<50	<0.5	0.6	<0.5	1.1	NA	NA	21.26	8.23	13.03	NA	NA
S-11	10/18/1990	<50	<0.5	<0.5	<0.5	0.5	NA	NA	21.26	9.20	12.06	NA	NA
S-11	01/28/1991	63	<0.5	3.3	0.9	7.0	NA	NA	21.26	9.13	12.13	NA	NA
S-11	04/25/1991	<50	<0.5	<0.5	0.8	<0.5	NA	NA	21.26	7.53	13.73	NA	NA
S-11	07/09/1991	<50	<0.5	<0.5	<0.5	<0.5	NA	NA	21.26	8.85	12.41	NA	NA
S-11	10/08/1991	<50	<0.5	<0.5	<0.5	<0.5	NA	NA	21.26	9.34	11.92	NA	NA
S-11	02/05/1991	NA	NA	NA	NA	NA	NA	NA	21.26	8.50	12.76	NA	NA
S-11	04/28/1992	<50	<0.5	<0.5	<0.5	<0.5	NA	NA	21.26	7.80	13.46	NA	NA
S-11	07/27/1992	<50	<0.5	<0.5	<0.5	<0.5	NA	NA	21.26	8.80	12.46	NA	NA
S-11	10/26/1992	<50	<0.5	<0.5	<0.5	<0.5	NA	NA	21.26	9.42	11.84	NA	NA
S-11	01/13/1993	NA	NA	NA	NA	NA	NA	NA	21.26	6.52	14.74	NA	NA
S-11	04/16/1993	<50	<0.5	<0.5	<0.5	<0.5	NA	NA	21.26	6.86	14.40	NA	NA
S-11	07/23/1993	NA	NA	NA	NA	NA	NA	NA	21.26	8.07	13.19	NA	NA
S-11	10/27/1993	Well inaccessible		NA	NA	NA	NA	NA	21.26	NA	NA	NA	NA
S-11	01/27/1994	NA	NA	NA	NA	NA	NA	NA	21.26	NA	NA	NA	NA
S-11	05/05/1994	<50	<0.5	<0.5	<0.5	<0.5	NA	NA	21.24	7.73	13.51	NA	NA
S-11	07/26/1994	NA	NA	NA	NA	NA	NA	NA	21.24	8.30	12.94	NA	NA
S-11	10/28/1994	<50	<0.3	<0.3	<0.3	<0.6	NA	NA	21.24	8.30	12.94	NA	NA
S-11	01/02/1995	NA	NA	NA	NA	NA	NA	NA	21.24	7.25	13.99	NA	NA

WELL CONCENTRATIONS
Former Shell Service Station
15275 Washington Boulevard
San Leandro, CA

Well ID	Date	TPPH (ug/L)	B (ug/L)	T (ug/L)	E (ug/L)	X (ug/L)	MTBE 8020 (ug/L)	MTBE 8260 (ug/L)	TOC (MSL)	Depth to Water (ft.)	GW Elevation (MSL)	SPH Thickness (ft.)	DO Reading (ppm)
S-11	04/14/1995	<50	<0.5	<0.5	<0.5	<0.5	NA	NA	21.24	6.99	14.25	NA	NA
S-11	07/28/1995	NA	NA	NA	NA	NA	NA	NA	21.24	7.21	14.03	NA	NA
S-11	10/17/1995	<50	<0.5	<0.5	<0.5	<0.5	NA	NA	21.24	7.41	13.83	NA	NA
S-11	01/11/1996	NA	NA	NA	NA	NA	NA	NA	21.24	6.80	14.44	NA	NA
S-11	07/21/1997	<50	<0.50	<0.50	<0.50	<0.50	<2.5	NA	21.24	7.28	13.96	NA	NA
S-11	03/18/2002 d	NA	NA	NA	NA	NA	NA	NA	21.27	NA	NA	NA	NA
S-11	01/22/2004	<50	<0.50	<0.50	<0.50	<1.0	NA	0.57	21.27	7.55	13.72	NA	NA
S-12	11/16/1988	50	3.5	<1	<1	<3	NA	NA	21.05	NA	NA	NA	NA
S-12	02/27/1989	<50	0.8	<1	<1	<3	NA	NA	21.05	NA	NA	NA	NA
S-12	05/03/1989	<50	<0.5	<1	<1	<3	NA	NA	21.05	NA	NA	NA	NA
S-12	08/10/1989	<50	<0.5	<1	<1	<3	NA	NA	21.05	8.32	12.73	NA	NA
S-12	10/09/1989	<50	<0.5	<1	<1	<1	NA	NA	21.05	8.32	12.73	NA	NA
S-12	01/25/1990	<50	<0.5	<0.5	<0.5	<1	NA	NA	21.05	8.18	12.87	NA	NA
S-12	04/18/1990	<50	<0.5	<0.5	<0.5	<0.5	NA	NA	21.05	8.05	13.00	NA	NA
S-12	07/23/1990	<50	<0.5	<0.5	<0.5	<0.5	NA	NA	21.05	7.92	13.13	NA	NA
S-12	10/18/1990	<50	<0.5	<0.5	<0.5	<0.5	NA	NA	21.05	8.90	12.15	NA	NA
S-12	01/28/1991	<50	<0.5	<0.5	<0.5	<0.5	NA	NA	21.05	8.54	12.51	NA	NA
S-12	04/25/1991	90	5.4	<0.5	1.1	0.7	NA	NA	21.05	7.08	13.97	NA	NA
S-12	07/09/1991	<50	2.9	<0.5	<0.5	<0.5	NA	NA	21.05	8.42	12.63	NA	NA
S-12	10/08/1991	50	<0.5	<0.5	<0.5	<0.5	NA	NA	21.05	8.80	12.25	NA	NA
S-12	02/05/1992	50a	<0.5	<0.5	<0.5	<0.5	NA	NA	21.05	8.07	12.98	NA	NA
S-12	04/28/1992	<50	<0.5	<0.5	<0.5	<0.5	NA	NA	21.05	8.33	12.72	NA	NA
S-12	07/27/1992	94	<0.5	<0.5	<0.5	<0.5	NA	NA	21.05	8.55	12.50	NA	NA
S-12	10/26/1992	86	<0.5	<0.5	<0.5	<0.5	NA	NA	21.05	9.03	12.02	NA	NA
S-12	01/14/1993	120	2.0	<0.5	<0.5	<0.5	NA	NA	21.05	6.38	14.67	NA	NA
S-12	04/16/1993	60	<0.5	<0.5	<0.5	<0.5	NA	NA	21.05	6.56	14.49	NA	NA
S-12	07/23/1993	90	<0.5	<0.5	<0.5	<0.5	NA	NA	21.05	7.76	13.29	NA	NA

WELL CONCENTRATIONS
Former Shell Service Station
15275 Washington Boulevard
San Leandro, CA

Well ID	Date	TPPH (ug/L)	B (ug/L)	T (ug/L)	E (ug/L)	X (ug/L)	MTBE 8020 (ug/L)	MTBE 8260 (ug/L)	TOC (MSL)	Depth to Water (ft.)	GW Elevation (MSL)	SPH Thickness (ft.)	DO Reading (ppm)
S-12	10/27/1993	Well inaccessible		NA	NA	NA	NA	NA	21.05	NA	NA	NA	NA
S-12	01/27/1994	Well inaccessible		NA	NA	NA	NA	NA	21.05	NA	NA	NA	NA
S-12	05/05/1994	<50	2.0	<0.5	<0.5	<0.5	NA	NA	20.71	7.49	13.22	NA	NA
S-12	07/26/1994	128	<0.3	<0.3	<0.3	<0.6	NA	NA	20.71	7.92	12.79	NA	NA
S-12	10/28/1994	167	<0.3	<0.3	<0.3	<0.6	NA	NA	20.71	7.78	12.93	NA	NA
S-12	01/02/1995	50	<0.5	<0.5	<0.5	<0.5	NA	NA	20.71	7.33	13.38	NA	NA
S-12	04/14/1995	<50	<0.5	<0.5	<0.5	<0.5	NA	NA	20.71	6.47	14.24	NA	NA
S-12	07/28/1995	<50	<0.5	<0.5	<0.5	<0.5	NA	NA	20.71	6.90	13.81	NA	NA
S-12	10/17/1995	<50	<0.5	<0.5	<0.5	<0.5	NA	NA	20.71	7.16	13.55	NA	NA
S-12	01/11/1996	<50	<0.5	<0.5	<0.5	<0.5	82	NA	20.71	6.65	14.06	NA	NA
S-12	07/21/1997	<50	<0.50	<0.50	<0.50	<0.50	45	NA	20.71	6.95	13.76	NA	NA
S-12	03/18/2002 d	NA	NA	NA	NA	NA	NA	NA	20.73	NA	NA	NA	NA
S-12	01/22/2004	<50	<0.50	<0.50	<0.50	<1.0	NA	0.58	20.73	7.30	13.43	NA	NA
S-13	05/03/1989	150	4.9	4.0	2.0	14	NA	NA	20.57	NA	NA	NA	NA
S-13	08/10/1989	110	2.9	<1	<1	<3	NA	NA	20.57	8.00	12.57	NA	NA
S-13	10/09/1989	77	1.4	<1	<1	<3	NA	NA	20.57	7.95	12.62	NA	NA
S-13	01/25/1990	51	0.5	<0.5	<0.5	<1	NA	NA	20.57	7.79	12.78	NA	NA
S-13	04/18/1990	85	8.7	<0.5	<0.5	<1	NA	NA	20.57	7.73	12.84	NA	NA
S-13	07/23/1990	80	0.8	<0.5	<0.5	<0.5	NA	NA	20.57	7.63	12.94	NA	NA
S-13	10/18/1990	130	<0.5	<0.5	<0.5	<5	NA	NA	20.57	8.58	11.99	NA	NA
S-13	01/28/1991	<50	<0.5	0.9	1.2	1.0	NA	NA	20.57	8.39	12.18	NA	NA
S-13	04/25/1991	440a	3.8	<0.5	<0.5	0.6	NA	NA	20.57	7.00	13.57	NA	NA
S-13	07/09/1991	320a	0.6	<0.5	<0.5	<0.5	NA	NA	20.57	8.12	12.45	NA	NA
S-13	10/08/1991	310	<0.5	<0.5	<0.5	<0.5	NA	NA	20.57	8.69	11.88	NA	NA
S-13	02/05/1992	NA	NA	NA	NA	NA	NA	NA	20.57	7.62	12.95	NA	NA
S-13	04/28/1992	<50	<0.5	<0.5	<0.5	<0.5	NA	NA	20.57	7.15	13.42	NA	NA
S-13	07/27/1992	NA	NA	NA	NA	NA	NA	NA	20.57	8.20	12.37	NA	NA

WELL CONCENTRATIONS
Former Shell Service Station
15275 Washington Boulevard
San Leandro, CA

Well ID	Date	TPPH (ug/L)	B (ug/L)	T (ug/L)	E (ug/L)	X (ug/L)	MTBE 8020 (ug/L)	MTBE 8260 (ug/L)	TOC (MSL)	Depth to Water (ft.)	GW Elevation (MSL)	SPH Thickness (ft.)	DO Reading (ppm)
S-12	10/27/1993	Well inaccessible		NA	NA	NA	NA	NA	21.05	NA	NA	NA	NA
S-12	01/27/1994	Well inaccessible		NA	NA	NA	NA	NA	21.05	NA	NA	NA	NA
S-12	05/05/1994	<50	2.0	<0.5	<0.5	<0.5	NA	NA	20.71	7.49	13.22	NA	NA
S-12	07/26/1994	128	<0.3	<0.3	<0.3	<0.6	NA	NA	20.71	7.92	12.79	NA	NA
S-12	10/28/1994	167	<0.3	<0.3	<0.3	<0.6	NA	NA	20.71	7.78	12.93	NA	NA
S-12	01/02/1995	50	<0.5	<0.5	<0.5	<0.5	NA	NA	20.71	7.33	13.38	NA	NA
S-12	04/14/1995	<50	<0.5	<0.5	<0.5	<0.5	NA	NA	20.71	6.47	14.24	NA	NA
S-12	07/28/1995	<50	<0.5	<0.5	<0.5	<0.5	NA	NA	20.71	6.90	13.81	NA	NA
S-12	10/17/1995	<50	<0.5	<0.5	<0.5	<0.5	NA	NA	20.71	7.16	13.55	NA	NA
S-12	01/11/1996	<50	<0.5	<0.5	<0.5	<0.5	82	NA	20.71	6.65	14.06	NA	NA
S-12	07/21/1997	<50	<0.50	<0.50	<0.50	<0.50	45	NA	20.71	6.95	13.76	NA	NA
S-12	03/18/2002 d	NA	NA	NA	NA	NA	NA	NA	20.73	NA	NA	NA	NA
S-12	01/22/2004	<50	<0.50	<0.50	<0.50	<1.0	NA	0.58	20.73	7.30	13.43	NA	NA
S-13	05/03/1989	150	4.9	4.0	2.0	14	NA	NA	20.57	NA	NA	NA	NA
S-13	08/10/1989	110	2.9	<1	<1	<3	NA	NA	20.57	8.00	12.57	NA	NA
S-13	10/09/1989	77	1.4	<1	<1	<3	NA	NA	20.57	7.95	12.62	NA	NA
S-13	01/25/1990	51	0.5	<0.5	<0.5	<1	NA	NA	20.57	7.79	12.78	NA	NA
S-13	04/18/1990	85	8.7	<0.5	<0.5	<1	NA	NA	20.57	7.73	12.84	NA	NA
S-13	07/23/1990	80	0.8	<0.5	<0.5	<0.5	NA	NA	20.57	7.63	12.94	NA	NA
S-13	10/18/1990	130	<0.5	<0.5	<0.5	<5	NA	NA	20.57	8.58	11.99	NA	NA
S-13	01/28/1991	<50	<0.5	0.9	1.2	1.0	NA	NA	20.57	8.39	12.18	NA	NA
S-13	04/25/1991	440a	3.8	<0.5	<0.5	0.6	NA	NA	20.57	7.00	13.57	NA	NA
S-13	07/09/1991	320a	0.6	<0.5	<0.5	<0.5	NA	NA	20.57	8.12	12.45	NA	NA
S-13	10/08/1991	310	<0.5	<0.5	<0.5	<0.5	NA	NA	20.57	8.69	11.88	NA	NA
S-13	02/05/1992	NA	NA	NA	NA	NA	NA	NA	20.57	7.62	12.95	NA	NA
S-13	04/28/1992	<50	<0.5	<0.5	<0.5	<0.5	NA	NA	20.57	7.15	13.42	NA	NA
S-13	07/27/1992	NA	NA	NA	NA	NA	NA	NA	20.57	8.20	12.37	NA	NA

WELL CONCENTRATIONS
Former Shell Service Station
15275 Washington Boulevard
San Leandro, CA

Well ID	Date	TPPH (ug/L)	B (ug/L)	T (ug/L)	E (ug/L)	X (ug/L)	MTBE 8020 (ug/L)	MTBE 8260 (ug/L)	TOC (MSL)	Depth to Water (ft.)	GW Elevation (MSL)	SPH Thickness (ft.)	DO Reading (ppm)
S-13	10/26/1992	180	<0.5	<0.5	<0.5	<0.5	NA	NA	20.57	8.73	11.84	NA	NA
S-13	01/13/1993	NA	NA	NA	NA	NA	NA	NA	20.57	5.06	15.51	NA	NA
S-13	04/16/1993	240	4.8	<0.5	1.3	<0.5	NA	NA	20.57	6.38	14.19	NA	NA
S-13	07/23/1993	NA	NA	NA	NA	NA	NA	NA	20.57	7.45	13.12	NA	NA
S-13	10/27/1993	Well inaccessible		NA	NA	NA	NA	NA	20.57	NA	NA	NA	NA
S-13	01/27/1994	NA	NA	NA	NA	NA	NA	NA	20.57	NA	NA	NA	NA
S-13	05/05/1994	<50	<0.5	<0.5	<0.5	<0.5	NA	NA	20.16	6.91	13.25	NA	NA
S-13	07/26/1994	NA	NA	NA	NA	NA	NA	NA	20.16	7.52	12.64	NA	NA
S-13	10/28/1994	368	<0.3	<0.3	<0.3	<0.6	NA	NA	20.16	7.68	12.48	NA	NA
S-13	01/02/1995	NA	NA	NA	NA	NA	NA	NA	20.16	6.37	13.79	NA	NA
S-13	04/14/1995	NA	NA	NA	NA	NA	NA	NA	20.16	5.81	14.35	NA	NA
S-13	07/28/1995	NA	NA	NA	NA	NA	NA	NA	20.16	6.73	13.43	NA	NA
S-13	10/17/1995	<50	1.0	<0.5	<0.5	<0.5	NA	NA	20.16	6.94	13.22	NA	NA
S-13	01/11/1996	NA	NA	NA	NA	NA	NA	NA	20.16	6.20	13.96	NA	NA
S-13	04/02/1996	<50	<0.5	<0.5	<0.5	<0.5	<2	NA	20.16	5.28	14.88	NA	NA
S-13	07/09/1996	NA	NA	NA	NA	NA	NA	NA	20.16	6.35	13.81	NA	NA
S-13	10/10/1996	<50	<0.50	<0.50	<0.50	<0.50	210	160	20.16	7.04	13.12	NA	NA
S-13	01/09/1997	NA	NA	NA	NA	NA	NA	NA	20.16	5.19	14.97	NA	NA
S-13	04/08/1997	<50	<0.50	<0.50	<0.50	<0.50	81	NA	20.16	6.62	13.54	NA	NA
S-13	07/21/1997	NA	NA	NA	NA	NA	NA	NA	20.16	6.76	13.40	NA	NA
S-13	10/08/1997	<50	<0.50	<0.50	<0.50	<0.50	110	NA	20.16	7.05	13.11	NA	NA
S-13	01/15/1998	NA	NA	NA	NA	NA	NA	NA	20.16	5.27	14.89	NA	NA
S-13	04/14/1998	<50	<0.50	<0.50	<0.50	<0.50	3.2	NA	20.16	5.24	14.92	NA	NA
S-13	07/14/1998	NA	NA	NA	NA	NA	NA	NA	20.16	5.48	14.68	NA	NA
S-13	10/20/1998	NA	NA	NA	NA	NA	NA	NA	20.16	7.08	13.08	NA	NA
S-13	01/22/1999	<50.0	<0.500	<0.500	<0.500	<0.500	92.2	NA	20.16	6.65	13.51	NA	NA
S-13	04/08/1999	NA	NA	NA	NA	NA	NA	NA	20.16	5.61	14.55	NA	NA
S-13	07/23/1999	<50.0	<0.500	<0.500	<0.500	<0.500	<5.00	NA	20.16	6.78	13.38	NA	NA

WELL CONCENTRATIONS
Former Shell Service Station
15275 Washington Boulevard
San Leandro, CA

Well ID	Date	TPPH (ug/L)	B (ug/L)	T (ug/L)	E (ug/L)	X (ug/L)	MTBE 8020 (ug/L)	MTBE 8260 (ug/L)	TOC (MSL)	Depth to Water (ft.)	GW Elevation (MSL)	SPH Thickness (ft.)	DO Reading (ppm)
S-13	10/26/1999	NA	NA	NA	NA	NA	NA	NA	20.16	7.33	12.83	NA	NA
S-13	01/03/2000	<50.0	<0.500	<0.500	<0.500	<0.500	<2.50	NA	20.16	7.51	12.65	NA	NA
S-13	04/14/2000	NA	NA	NA	NA	NA	NA	NA	20.16	6.08	14.08	NA	NA
S-13	07/12/2000	<50.0	<0.500	<0.500	<0.500	<0.500	<2.50	NA	20.16	6.50	13.66	NA	NA
S-13	11/01/2000	NA	NA	NA	NA	NA	NA	NA	20.16	6.10	14.06	NA	NA
S-13	01/03/2001	<50.0	<0.500	<0.500	<0.500	<0.500	21.2	23.9	20.16	7.09	13.07	NA	NA
S-13	04/24/2001	Well inaccessible		NA	NA	NA	NA	NA	20.16	NA	NA	NA	NA
S-13	07/02/2001	<50	<0.50	<0.50	<0.50	<0.50	NA	<5.0	20.16	7.13	13.03	NA	NA
S-13	11/02/2001	NA	NA	NA	NA	NA	NA	NA	20.16	7.38	12.78	NA	NA
S-13	01/16/2002	<50	<0.50	<0.50	<0.50	<0.50	NA	5.9	20.16	6.02	14.14	NA	NA
S-13	04/01/2002	NA	NA	NA	NA	NA	NA	NA	20.16	6.26	13.90	NA	NA
S-13	07/11/2002	<50	<0.50	<0.50	<0.50	<0.50	NA	<5.0	20.16	7.00	13.16	NA	NA
S-13	10/28/2002	NA	NA	NA	NA	NA	NA	NA	20.19	7.70	12.49	NA	NA
S-13	01/23/2003	<50	<0.50	<0.50	<0.50	<0.50	NA	110	20.19	6.41	13.78	NA	NA
S-13	04/30/2003	NA	NA	NA	NA	NA	NA	NA	20.19	6.12	14.07	NA	NA
S-13	07/01/2003	<50	<0.50	<0.50	<0.50	<1.0	NA	<0.50	20.19	7.65	12.54	NA	1.4
S-13	10/08/2003	NA	NA	NA	NA	NA	NA	NA	20.19	7.32	12.87	NA	NA
S-13	01/22/2004	<250	<2.5	<2.5	<2.5	<5.0	NA	NA	20.19	6.60	13.59	NA	NA
S-13	07/13/2004	NA	NA	NA	NA	NA	NA	NA	20.19	6.60	13.59	NA	e
S-13	01/20/2005	<50	<0.50	<0.50	<0.50	<1.0	NA	NA	20.19	6.56	13.63	NA	NA
S-13	07/19/2005	NA	NA	NA	NA	NA	NA	NA	20.19	6.15	14.04	NA	NA
S-13	01/27/2006	<50.0	<0.500	<0.500	<0.500	<0.500	NA	NA	20.19	6.42	13.77	NA	NA
S-13	07/25/2006	NA	NA	NA	NA	NA	NA	NA	20.19	7.51	12.68	NA	NA
S-13	01/04/2007	<50	<0.50	<0.50	<0.50	<1.0	NA	NA	20.19	6.85	13.34	NA	NA
S-14	05/03/1989	5300	750	400	200	800	NA	NA	20.44	NA	NA	NA	NA
S-14	08/10/1989	1800	540	140	42	50	NA	NA	20.44	7.58	12.86	NA	NA
S-14	10/09/1989	1000	360	60	20	30	NA	NA	20.44	7.62	12.82	NA	NA

WELL CONCENTRATIONS
Former Shell Service Station
15275 Washington Boulevard
San Leandro, CA

Well ID	Date	TPPH (ug/L)	B (ug/L)	T (ug/L)	E (ug/L)	X (ug/L)	MTBE 8020 (ug/L)	MTBE 8260 (ug/L)	TOC (MSL)	Depth to Water (ft.)	GW Elevation (MSL)	SPH Thickness (ft.)	DO Reading (ppm)
S-14	01/25/1990	640	160	77	17	39	NA	NA	20.44	7.82	12.62	NA	NA
S-14	04/18/1990	1200	200	110	30	96	NA	NA	20.44	7.37	13.07	NA	NA
S-14	07/23/1990	5000	430	340	140	660	NA	NA	20.44	7.28	13.16	NA	NA
S-14	10/18/1990	1800	770	13	17	120	NA	NA	20.44	8.10	12.34	NA	NA
S-14	01/28/1991	720	200	36	21	78	NA	NA	20.44	8.04	12.40	NA	NA
S-14	04/25/1991	14000	930	430	250	970	NA	NA	20.44	6.40	14.04	NA	NA
S-14	07/09/1991	160	30	5.3	5	16	NA	NA	20.44	7.69	12.75	NA	NA
S-14	10/08/1991	5400	81	57	95	380	NA	NA	20.44	8.24	12.20	NA	NA
S-14	02/02/1992	NA	NA	NA	NA	NA	NA	NA	20.44	7.20	13.24	NA	NA
S-14	04/28/1992	2000	270	140	48	170	NA	NA	20.44	9.75	10.69	NA	NA
S-14	10/26/1992	920	33	12	25	88	NA	NA	20.44	8.32	12.12	NA	NA
S-14	01/13/1993	NA	NA	NA	NA	NA	NA	NA	20.44	5.07	15.37	NA	NA
S-14	04/16/1993	4500	1100	29	91	170	NA	NA	20.44	5.86	14.58	NA	NA
S-14	07/23/1993	NA	NA	NA	NA	NA	NA	NA	20.44	7.06	13.38	NA	NA
S-14	10/27/1993	Well inaccessible		NA	NA	NA	NA	NA	20.44	NA	NA	NA	NA
S-14	01/27/1994	NA	NA	NA	NA	NA	NA	NA	20.44	NA	NA	NA	NA
S-14	05/05/1994	810	250	<2.5	9.4	19	NA	NA	19.99	6.48	13.51	NA	NA
S-14	07/26/1994	NA	NA	NA	NA	NA	NA	NA	19.99	7.04	12.95	NA	NA
S-14	10/28/1994	5385	290.6	85.8	49.7	186.2	NA	NA	19.99	7.07	12.92	NA	NA
S-14	01/02/1995	NA	NA	NA	NA	NA	NA	NA	19.99	5.95	14.04	NA	NA
S-14	04/14/1995	1600	40	4.7	11	20	NA	NA	19.99	5.22	14.77	NA	NA
S-14	07/28/1995	NA	NA	NA	NA	NA	NA	NA	19.99	6.21	13.78	NA	NA
S-14	10/17/1995	1200	37	<0.5	7.8	11	NA	NA	19.99	6.30	13.69	NA	NA
S-14	01/11/1996	NA	NA	NA	NA	NA	NA	NA	19.99	5.70	14.29	NA	NA
S-14	07/21/1997	220	71	0.71	1.3	1.3	100	NA	19.99	6.14	13.85	NA	NA
S-14	03/18/2002 d	NA	NA	NA	NA	NA	NA	NA	20.01	NA	NA	NA	NA
S-14	01/22/2004	<50	<0.50	<0.50	<0.50	<1.0	NA	55	20.01	6.20	13.81	NA	NA

WELL CONCENTRATIONS
Former Shell Service Station
15275 Washington Boulevard
San Leandro, CA

Well ID	Date	TPPH (ug/L)	B (ug/L)	T (ug/L)	E (ug/L)	X (ug/L)	MTBE 8020 (ug/L)	MTBE 8260 (ug/L)	TOC (MSL)	Depth to Water (ft.)	GW Elevation (MSL)	SPH Thickness (ft.)	DO Reading (ppm)
S-15	05/03/1989	<50	<0.5	<1	<1	<3	NA	NA	22.22	NA	NA	NA	NA
S-15	08/10/1989	<50	<0.5	<1	<1	<3	NA	NA	22.22	8.48	13.74	NA	NA
S-15	10/09/1989	<50	<0.5	<1	<1	<3	NA	NA	22.22	8.46	13.76	NA	NA
S-15	01/25/1990	<50	<0.5	<1	<1	<1	NA	NA	22.22	8.34	13.88	NA	NA
S-15	04/18/1990	<50	<0.5	<0.5	<0.5	<1	NA	NA	22.22	8.45	13.77	NA	NA
S-15	07/23/1990	<50	<0.5	<0.5	<0.5	<0.5	NA	NA	22.22	8.22	14.00	NA	NA
S-15	10/18/1990	<50	<0.5	<0.5	<0.5	<0.5	NA	NA	22.22	9.11	13.11	NA	NA
S-15	01/28/1991	<50	<0.5	0.6	<0.5	0.8	NA	NA	22.22	9.13	13.09	NA	NA
S-15	04/25/1991	<50	<0.5	<0.5	<0.5	<0.5	NA	NA	22.22	7.83	14.39	NA	NA
S-15	07/09/1991	<50	<0.5	<0.5	<0.5	<0.5	NA	NA	22.22	8.93	13.29	NA	NA
S-15	10/08/1991	<50	<0.5	<0.5	<0.5	<0.5	NA	NA	22.22	9.26	12.96	NA	NA
S-15	02/05/1992	<50	<0.5	<0.5	<0.5	<0.5	NA	NA	22.22	8.60	13.62	NA	NA
S-15	04/28/1992	50	0.8	0.9	<0.5	1.4	NA	NA	22.22	8.09	14.13	NA	NA
S-15	07/27/1992	<50	<0.5	<0.5	<0.5	<0.5	NA	NA	22.22	8.83	13.39	NA	NA
S-15	10/26/1992	<50	<0.5	<0.5	<0.5	<0.5	NA	NA	22.22	9.31	12.91	NA	NA
S-15	01/14/1993	<50	<0.5	<0.5	<0.5	<0.5	NA	NA	22.22	6.64	15.58	NA	NA
S-15	04/16/1993	<50	0.6	1.0	<0.5	0.7	NA	NA	22.22	7.14	15.08	NA	NA
S-15	07/23/1993	<50	1.2	<0.5	<0.5	1.6	NA	NA	22.22	8.23	13.99	NA	NA
S-15	10/27/1993	Well inaccessible		NA	NA	NA	NA	NA	22.22	NA	NA	NA	NA
S-15	01/27/1994	Well inaccessible		NA	NA	NA	NA	NA	22.22	NA	NA	NA	NA
S-15	05/05/1994	<50	<0.5	<0.5	<0.5	<0.5	NA	NA	21.42	7.57	13.85	NA	NA
S-15	07/26/1994	<50	<0.3	<0.3	<0.3	<0.6	NA	NA	21.42	8.16	13.26	NA	NA
S-15	10/28/1994	<50	0.3	<0.3	<0.3	<0.6	NA	NA	21.42	7.87	13.55	NA	NA
S-15	01/02/1995	<50	<0.5	<0.5	<0.5	<0.5	NA	NA	21.42	7.02	14.40	NA	NA
S-15	04/14/1995	NA	NA	NA	NA	NA	NA	NA	21.42	6.19	15.23	NA	NA
S-15	07/28/1995	<50	<0.5	<0.5	<0.5	<0.5	NA	NA	21.42	6.72	14.70	NA	NA
S-15	10/17/1995	<50	<0.5	<0.5	<0.5	<0.5	NA	NA	21.42	7.04	14.38	NA	NA
S-15	01/11/1996	<50	<0.5	<0.5	<0.5	<0.5	<2	NA	21.42	6.40	15.02	NA	NA

WELL CONCENTRATIONS
Former Shell Service Station
15275 Washington Boulevard
San Leandro, CA

Well ID	Date	TPPH (ug/L)	B (ug/L)	T (ug/L)	E (ug/L)	X (ug/L)	MTBE 8020 (ug/L)	MTBE 8260 (ug/L)	TOC (MSL)	Depth to Water (ft.)	GW Elevation (MSL)	SPH Thickness (ft.)	DO Reading (ppm)
S-15	03/18/2002 d	NA	NA	NA	NA	NA	NA	NA	21.47	NA	NA	NA	NA
S-15	01/22/2004	<50	<0.50	<0.50	<0.50	<1.0	NA	<0.50	21.47	7.07	14.40	NA	NA
S-16	05/04/1994	380	44	3.0	2.0	<3	NA	NA	21.82	NA	NA	NA	NA
S-16	08/10/1989	<50	0.6	<1	<1	<3	NA	NA	21.82	8.36	13.46	NA	NA
S-16	10/10/1989	<5	<0.5	<1	<1	<3	NA	NA	21.82	8.23	13.59	NA	NA
S-16	01/25/1990	240	160	3.3	0.8	11	NA	NA	21.82	7.88	13.94	NA	NA
S-16	04/18/1990	<50	1.0	<0.5	<0.5	<1	NA	NA	21.82	8.19	13.63	NA	NA
S-16	07/23/1990	<50	1.1	<0.5	<0.5	<0.5	NA	NA	21.82	8.09	13.73	NA	NA
S-16	10/18/1990	<50	<0.5	<0.5	<0.5	<0.5	NA	NA	21.82	8.90	12.92	NA	NA
S-16	01/28/1991	<50	<0.5	0.6	<0.5	0.9	NA	NA	21.82	8.55	13.27	NA	NA
S-16	04/25/1991	60	21	0.5	3.2	4.8	NA	NA	21.82	7.48	14.34	NA	NA
S-16	07/09/1991	<50	1.0	<0.5	<0.5	<0.5	NA	NA	21.82	8.48	13.34	NA	NA
S-16	10/08/1991	50	17	1.4	1.2	5.5	NA	NA	21.82	8.95	12.87	NA	NA
S-16	02/05/1992	150	65	0.7	<0.5	8.4	NA	NA	21.82	8.20	13.62	NA	NA
S-16	04/28/1992	<50	13	<0.5	<0.5	<0.5	NA	NA	21.82	7.80	14.02	NA	NA
S-16	07/27/1992	510	130	<2.5	<0.5	21	NA	NA	21.82	8.29	13.53	NA	NA
S-16	10/26/1992	<50	<0.5	<0.5	<2.5	<0.5	NA	NA	21.82	9.02	12.80	NA	NA
S-16	01/13/1993	100	25	1.9	<0.5	8.4	NA	NA	21.82	5.78	16.04	NA	NA
S-16	04/16/1993	150	56	1.8	4.6	12	NA	NA	21.82	6.80	15.02	NA	NA
S-16	07/23/1993	<50	0.9	<0.5	<0.5	<0.5	NA	NA	21.82	7.67	14.15	NA	NA
S-16	10/27/1993	<50	1.5	<0.5	<0.5	<0.5	NA	NA	21.82	8.52	13.30	NA	NA
S-16	01/27/1994	140	85	<1	<1	13	NA	NA	21.82	7.20	14.62	NA	NA
S-16	05/05/1994	71	25	<0.5	<0.5	4.2	NA	NA	21.24	7.76	13.48	NA	NA
S-16	07/26/1994	<50	<0.3	<0.3	<0.3	<0.6	NA	NA	21.24	7.84	13.40	NA	NA
S-16	10/28/1994	<50	11.5	<0.3	<0.3	1.8	NA	NA	21.24	7.97	13.27	NA	NA
S-16	01/02/1995	70	64	<0.5	<0.5	4.0	NA	NA	21.24	6.49	14.75	NA	NA
S-16	04/14/1995	NA	NA	NA	NA	NA	NA	NA	21.24	6.08	15.16	NA	NA

WELL CONCENTRATIONS
Former Shell Service Station
15275 Washington Boulevard
San Leandro, CA

Well ID	Date	TPPH (ug/L)	B (ug/L)	T (ug/L)	E (ug/L)	X (ug/L)	MTBE 8020 (ug/L)	MTBE 8260 (ug/L)	TOC (MSL)	Depth to Water (ft.)	GW Elevation (MSL)	SPH Thickness (ft.)	DO Reading (ppm)
S-16	07/28/1995	<50	1.7	<0.5	<0.5	<0.5	NA	NA	21.24	7.00	14.24	NA	NA
S-16	10/17/1995	<50	4.6	<0.5	<0.5	<0.5	NA	NA	21.24	7.15	14.09	NA	NA
S-16	01/11/1996	80	17	0.7	<0.5	2.9	<2	NA	21.24	6.30	14.94	NA	NA
S-16	04/02/1996	NA	NA	NA	NA	NA	NA	NA	21.24	5.84	15.40	NA	NA
S-16	07/09/1996	NA	NA	NA	NA	NA	NA	NA	21.24	6.72	14.52	NA	NA
S-16	10/10/1996	NA	NA	NA	NA	NA	NA	NA	21.24	7.41	13.83	NA	NA
S-16	01/09/1997	80	18	<0.50	1.7	4.8	<2.5	NA	21.24	5.60	15.64	NA	NA
S-16	04/08/1997	NA	NA	NA	NA	NA	NA	NA	21.24	7.34	13.90	NA	NA
S-16	07/21/1997	NA	NA	NA	NA	NA	NA	NA	21.24	7.20	14.04	NA	NA
S-16	10/08/1997	NA	NA	NA	NA	NA	NA	NA	21.24	7.34	13.90	NA	NA
S-16	01/15/1998	650	160	2.7	8.7	62	<12	NA	21.24	4.79	16.45	NA	NA
S-16	04/14/1998	NA	NA	NA	NA	NA	NA	NA	21.24	5.27	15.97	NA	NA
S-16	07/14/1998	NA	NA	NA	NA	NA	NA	NA	21.24	6.32	14.92	NA	NA
S-16	10/20/1998	NA	NA	NA	NA	NA	NA	NA	21.24	6.94	14.30	NA	NA
S-16	01/22/1999	Well inaccessible		NA	NA	NA	NA	NA	21.24	NA	NA	NA	NA
S-16	04/08/1999	NA	NA	NA	NA	NA	NA	NA	21.24	5.80	15.44	NA	NA
S-16	07/23/1999	NA	NA	NA	NA	NA	NA	NA	21.24	6.62	14.62	NA	NA
S-16	10/26/1999	NA	NA	NA	NA	NA	NA	NA	21.24	7.42	13.82	NA	NA
S-16	01/03/2000	<50.0	<0.500	<0.500	<0.500	<0.500	<2.50	NA	21.24	7.34	13.90	NA	NA
S-16	04/14/2000	NA	NA	NA	NA	NA	NA	NA	21.24	6.27	14.97	NA	NA
S-16	07/12/2000	NA	NA	NA	NA	NA	NA	NA	21.24	7.02	14.22	NA	NA
S-16	11/01/2000	NA	NA	NA	NA	NA	NA	NA	21.24	6.79	14.45	NA	NA
S-16	01/03/2001	<50.0	<0.500	<0.500	<0.500	<0.500	3.05	NA	21.24	7.18	14.06	NA	NA
S-16	04/24/2001	NA	NA	NA	NA	NA	NA	NA	21.24	6.85	14.39	NA	NA
S-16	07/02/2001	NA	NA	NA	NA	NA	NA	NA	21.24	7.51	13.73	NA	NA
S-16	11/02/2001	NA	NA	NA	NA	NA	NA	NA	21.24	7.68	13.56	NA	NA
S-16	01/16/2002	<50	<0.50	<0.50	<0.50	<0.50	NA	<5.0	21.24	6.40	14.84	NA	NA
S-16	04/01/2002	NA	NA	NA	NA	NA	NA	NA	21.24	6.33	14.91	NA	NA

WELL CONCENTRATIONS
Former Shell Service Station
15275 Washington Boulevard
San Leandro, CA

Well ID	Date	TPPH (ug/L)	B (ug/L)	T (ug/L)	E (ug/L)	X (ug/L)	MTBE 8020 (ug/L)	MTBE 8260 (ug/L)	TOC (MSL)	Depth to Water (ft.)	GW Elevation (MSL)	SPH Thickness (ft.)	DO Reading (ppm)
---------	------	----------------	-------------	-------------	-------------	-------------	------------------------	------------------------	--------------	----------------------------	--------------------------	---------------------------	------------------------

S-16	07/11/2002	NA	NA	NA	NA	NA	NA	NA	21.24	7.39	13.85	NA	NA
S-16	10/28/2002	NA	NA	NA	NA	NA	NA	NA	21.30	8.00	13.30	NA	NA
S-16	01/23/2003	<50	<0.50	<0.50	<0.50	<0.50	NA	<5.0	21.30	6.36	14.94	NA	NA
S-16	04/30/2003	NA	NA	NA	NA	NA	NA	NA	21.30	6.03	15.27	NA	NA
S-16	07/01/2003	NA	NA	NA	NA	NA	NA	NA	21.30	7.28	14.02	NA	NA
S-16	10/08/2003	NA	NA	NA	NA	NA	NA	NA	21.30	7.77	13.53	NA	NA
S-16	01/22/2004	<50	<0.50	<0.50	<0.50	<1.0	NA	NA	21.30	6.80	14.50	NA	NA
S-16	07/13/2004	NA	NA	NA	NA	NA	NA	NA	21.30	7.94	13.36	NA	NA
S-16	01/20/2005	<50	<0.50	<0.50	<0.50	<1.0	NA	NA	21.30	5.62	15.68	NA	NA
S-16	07/19/2005	NA	NA	NA	NA	NA	NA	NA	21.30	6.53	14.77	NA	NA
S-16	01/27/2006	<50.0	<0.500	<0.500	<0.500	<0.500	NA	NA	21.30	6.05	15.25	NA	NA
S-16	07/25/2006	NA	NA	NA	NA	NA	NA	NA	21.30	7.19	14.11	NA	NA
S-16	01/04/2007	<50	<0.50	<0.50	<0.50	<1.0	NA	NA	21.30	6.89	14.41	NA	NA

S-17	05/03/1989	<50	<0.5	<1	<1	<3	NA	NA	20.95	NA	NA	NA	NA
S-17	08/10/1989	<50	<0.5	<1	<1	<3	NA	NA	20.95	8.13	12.82	NA	NA
S-17	10/09/1989	<50	<0.5	<1	<1	<3	NA	NA	20.95	8.18	12.77	NA	NA
S-17	01/25/1990	<50	<0.5	<0.5	<0.5	<1	NA	NA	20.95	7.60	13.35	NA	NA
S-17	04/18/1990	<50	<0.5	<0.5	<0.5	<1	NA	NA	20.95	7.95	13.00	NA	NA
S-17	07/23/1990	<50	<0.5	<0.5	<0.5	<0.5	NA	NA	20.95	7.87	13.08	NA	NA
S-17	10/18/1990	390	10	62	22	110	NA	NA	20.95	8.71	12.24	NA	NA
S-17	01/28/1991	<50	<0.5	<0.5	<0.5	<0.5	NA	NA	20.95	8.54	12.41	NA	NA
S-17	04/25/1991	<50	<0.5	<0.5	<0.5	<0.5	NA	NA	20.95	7.15	13.80	NA	NA
S-17	07/09/1991	<50	<0.5	<0.5	<0.5	<0.5	NA	NA	20.95	8.24	12.71	NA	NA
S-17	10/08/1991	<50	<0.5	<0.5	<0.5	<0.5	NA	NA	20.95	8.86	12.09	NA	NA
S-17	02/05/1992	NA	NA	NA	NA	NA	NA	NA	20.95	7.74	13.21	NA	NA
S-17	04/28/1992	<50	<0.5	<0.5	<0.5	<0.5	NA	NA	20.95	7.41	13.54	NA	NA
S-17	07/27/1992	NA	NA	NA	NA	NA	NA	NA	20.95	8.34	12.61	NA	NA

WELL CONCENTRATIONS
Former Shell Service Station
15275 Washington Boulevard
San Leandro, CA

Well ID	Date	TPPH (ug/L)	B (ug/L)	T (ug/L)	E (ug/L)	X (ug/L)	MTBE 8020 (ug/L)	MTBE 8260 (ug/L)	TOC (MSL)	Depth to Water (ft.)	GW Elevation (MSL)	SPH Thickness (ft.)	DO Reading (ppm)
S-17	10/26/1992	<50	<0.5	<0.5	<0.5	<0.5	NA	NA	20.95	8.87	12.08	NA	NA
S-17	01/13/1993	NA	NA	NA	NA	NA	NA	NA	20.95	3.43	17.52	NA	NA
S-17	04/16/1993	130	<0.5	<0.5	<0.5	<0.5	NA	NA	20.95	6.70	14.25	NA	NA
S-17	07/23/1993	NA	NA	NA	NA	NA	NA	NA	20.95	7.53	13.42	NA	NA
S-17	10/27/1993	<50	<0.5	<0.5	<0.5	<0.5	NA	NA	20.95	8.29	12.66	NA	NA
S-17	01/27/1994	NA	NA	NA	NA	NA	NA	NA	20.95	5.78	15.17	NA	NA
S-17	05/05/1994	<50	<0.5	<0.5	<0.5	<0.5	NA	NA	20.45	6.99	13.46	NA	NA
S-17	07/26/1994	NA	NA	NA	NA	NA	NA	NA	20.45	7.62	12.83	NA	NA
S-17	10/28/1994	<50	<0.3	<0.3	<0.3	<0.6	NA	NA	20.45	7.91	12.54	NA	NA
S-17	01/02/1995	NA	NA	NA	NA	NA	NA	NA	20.45	6.33	14.12	NA	NA
S-17	04/14/1995	NA	NA	NA	NA	NA	NA	NA	20.45	5.53	14.92	NA	NA
S-17	07/28/1995	NA	NA	NA	NA	NA	NA	NA	20.45	6.75	13.70	NA	NA
S-17	10/17/1995	<50	<0.5	<0.5	<0.5	<0.5	NA	NA	20.45	7.15	13.30	NA	NA
S-17	01/11/1996	NA	NA	NA	NA	NA	NA	NA	20.45	6.37	14.08	NA	NA
S-17	04/02/1996	<50	<0.5	<0.5	<0.5	<0.5	<2	NA	20.45	5.31	15.14	NA	NA
S-17	07/09/1996	<50	<0.50	<0.50	<0.50	<0.50	<2.5	NA	20.45	6.30	14.15	NA	NA
S-17	10/10/1996	<50	<0.50	<0.50	<0.50	<0.50	<2.5	NA	20.45	7.80	12.65	NA	NA
S-17	01/09/1997	<50	<0.50	<0.50	<0.50	<0.50	<2.5	NA	20.45	4.80	15.65	NA	NA
S-17	04/08/1997	<50	<0.50	<0.50	<0.50	<0.50	<2.5	NA	20.45	6.83	13.62	NA	NA
S-17 (D)	04/08/1997	<50	<0.50	<0.50	<0.50	<0.50	<2.5	NA	20.45	NA	NA	NA	NA
S-17	07/21/1997	<50	<0.50	<0.50	<0.50	<0.50	<2.5	NA	20.45	6.78	13.67	NA	NA
S-17	10/08/1997	<50	<0.50	<0.50	<0.50	<0.50	<2.5	NA	20.45	6.80	13.65	NA	NA
S-17	01/15/1998	380	<0.50	<0.50	<0.50	0.94	<2.5	NA	20.45	2.91	17.54	NA	NA
S-17	04/14/1998	160	<0.50	<0.50	<0.50	<0.50	<2.5	NA	20.45	4.47	15.98	NA	NA
S-17	07/14/1998	<50	<0.50	<0.50	<0.50	<0.50	<2.5	NA	20.45	6.45	14.00	NA	NA
S-17	10/20/1998	<50	<0.50	<0.50	<0.50	<0.50	<2.5	NA	20.45	7.11	13.34	NA	NA
S-17	01/22/1999	<50.0	<0.500	<0.500	<0.500	<0.500	<2.00	NA	20.45	6.01	14.44	NA	NA
S-17	04/08/1999	145	<0.500	<0.500	<0.500	<0.500	<5.00	NA	20.45	4.69	15.76	NA	NA

WELL CONCENTRATIONS
Former Shell Service Station
15275 Washington Boulevard
San Leandro, CA

Well ID	Date	TPPH (ug/L)	B (ug/L)	T (ug/L)	E (ug/L)	X (ug/L)	MTBE 8020 (ug/L)	MTBE 8260 (ug/L)	TOC (MSL)	Depth to Water (ft.)	GW Elevation (MSL)	SPH Thickness (ft.)	DO Reading (ppm)
S-17	07/23/1999	<50.0	<0.500	<0.500	<0.500	<0.500	<5.00	NA	20.45	6.60	13.85	NA	NA
S-17	10/26/1999	<50.0	<0.500	<0.500	<0.500	<0.500	<2.50	NA	20.45	6.68	13.77	NA	NA
S-17	01/03/2000	<50.0	<0.500	<0.500	<0.500	<0.500	<2.50	NA	20.45	7.20	13.25	NA	NA
S-17	04/14/2000	<50.0	<0.500	<0.500	<0.500	<0.500	<2.50	NA	20.45	5.88	14.57	NA	NA
S-17	07/12/2000	<50.0	<0.500	<0.500	<0.500	<0.500	<2.50	NA	20.45	6.45	14.00	NA	NA
S-17	11/01/2000	<50.0	<0.500	<0.500	<0.500	<0.500	<2.50	NA	20.45	5.45	15.00	NA	NA
S-17	01/03/2001	<50.0	<0.500	<0.500	<0.500	<0.500	<2.50	NA	20.45	7.22	13.23	NA	NA
S-17	04/24/2001	<50	<0.50	<0.50	<0.50	<0.50	NA	<0.50	20.45	6.10	14.35	NA	NA
S-17	07/02/2001	<50	<0.50	<0.50	<0.50	<0.50	NA	<5.0	20.45	6.95	13.50	NA	NA
S-17	11/02/2001	<50	<0.50	<0.50	<0.50	<0.50	NA	<5.0	20.45	7.50	12.95	NA	NA
S-17	01/16/2002	<50	<0.50	<0.50	<0.50	<0.50	NA	<5.0	20.45	5.76	14.69	NA	NA
S-17	04/01/2002	<50	<0.50	<0.50	<0.50	<0.50	NA	<5.0	20.45	6.02	14.43	NA	NA
S-17	07/11/2002	<50	<0.50	<0.50	<0.50	<0.50	NA	<5.0	20.45	6.97	13.48	NA	NA
S-17	10/28/2002	<50	<0.50	<0.50	<0.50	<0.50	NA	<0.50	20.44	7.60	12.84	NA	0.9
S-17	01/23/2003	<50	<0.50	<0.50	<0.50	<0.50	NA	<5.0	20.44	5.77	14.67	NA	NA
S-17	04/30/2003	<50	<0.50	<0.50	<0.50	<1.0	NA	<5.0	20.44	5.35	15.09	NA	NA
S-17	07/01/2003	<50	<0.50	<0.50	<0.50	<1.0	NA	<0.50	20.44	6.95	13.49	NA	1.1
S-17	10/08/2003	<50	<0.50	<0.50	<0.50	<1.0	NA	<0.50	20.44	7.01	13.43	NA	NA
S-17	01/22/2004	<50	<0.50	<0.50	<0.50	<1.0	NA	NA	20.44	6.57	13.87	NA	NA
S-17	07/13/2004	NA	NA	NA	NA	NA	NA	NA	20.36 f	7.71	12.65	NA	NA
S-17	01/20/2005	<50	<0.50	<0.50	<0.50	<1.0	NA	NA	20.36 f	5.09	15.27	NA	NA
S-17	07/19/2005	NA	NA	NA	NA	NA	NA	NA	20.36	6.30	14.06	NA	NA
S-17	01/27/2006	<50.0	<0.500	<0.500	<0.500	<0.500	NA	NA	20.36	5.50	14.86	NA	NA
S-17	07/25/2006	NA	NA	NA	NA	NA	NA	NA	20.36	6.84	13.52	NA	NA
S-17	01/04/2007	<50	<0.50	<0.50	<0.50	<1.0	NA	NA	20.36	6.15	14.21	NA	NA
S-18	05/31/1991	<50	<0.5	<0.5	<0.5	<0.5	NA	NA	21.03	NA	NA	NA	NA
S-18	07/09/1991	<50	<0.5	<0.5	<0.5	<0.5	NA	NA	21.03	8.23	12.80	NA	NA

WELL CONCENTRATIONS
Former Shell Service Station
15275 Washington Boulevard
San Leandro, CA

Well ID	Date	TPPH (ug/L)	B (ug/L)	T (ug/L)	E (ug/L)	X (ug/L)	MTBE 8020 (ug/L)	MTBE 8260 (ug/L)	TOC (MSL)	Depth to Water (ft.)	GW Elevation (MSL)	SPH Thickness (ft.)	DO Reading (ppm)
S-18	10/08/1991	<50	<0.5	<0.5	<0.5	<0.5	NA	NA	21.03	8.84	12.19	NA	NA
S-18	02/05/1992	<50	<0.5	<0.5	<0.5	<0.5	NA	NA	21.03	7.67	13.36	NA	NA
S-18	04/28/1992	<50	<0.5	<0.5	<0.5	<0.5	NA	NA	21.03	7.40	13.63	NA	NA
S-18	07/27/1992	<50	<0.5	<0.5	<0.5	<0.5	NA	NA	21.03	8.38	12.65	NA	NA
S-18	10/26/1992	<50	<0.5	<0.5	<0.5	<0.5	NA	NA	21.03	8.83	12.20	NA	NA
S-18	01/13/1993	<50	<0.5	<0.5	<0.5	<0.5	NA	NA	21.03	5.86	15.17	NA	NA
S-18	04/16/1993	<50	<0.5	<0.5	<0.5	<0.5	NA	NA	21.03	4.88	16.15	NA	NA
S-18	07/23/1993	<50	<0.5	<0.5	<0.5	<0.5	NA	NA	21.03	7.56	13.47	NA	NA
S-18	10/27/1993	<50	<0.5	<0.5	<0.5	<0.5	NA	NA	21.03	8.30	12.73	NA	NA
S-18	01/27/1994	<50	1.9	<0.5	<0.5	<0.5	NA	NA	21.03	6.84	14.19	NA	NA
S-18	05/05/1994	<50	<0.5	<0.5	<0.5	<0.5	NA	NA	20.57	7.05	13.52	NA	NA
S-18	07/26/1994	<500	<3	1.1	<0.3	1.8	NA	NA	20.57	7.62	12.95	NA	NA
S-18	10/28/1994	<50	<0.3	<0.3	<0.3	<0.6	NA	NA	20.57	8.01	12.56	NA	NA
S-18	01/02/1995	<50	<0.5	<0.5	<0.5	<0.5	NA	NA	20.57	6.26	14.31	NA	NA
S-18	04/14/1995	NA	NA	NA	NA	NA	NA	NA	20.57	4.85	15.72	NA	NA
S-18	07/28/1995	<50	<0.5	<0.5	<0.5	<0.5	NA	NA	20.57	5.80	14.77	NA	NA
S-18	10/17/1995	<50	<0.5	<0.5	<0.5	<0.5	NA	NA	20.57	7.22	13.35	NA	NA
S-18	01/11/1996	<50	<0.5	<0.5	<0.5	<0.5	<2	NA	20.57	6.40	14.17	NA	NA
S-18	04/02/1996	NA	NA	NA	NA	NA	NA	NA	20.57	4.80	15.77	NA	NA
S-18	07/09/1996	NA	NA	NA	NA	NA	NA	NA	20.57	5.74	14.83	NA	NA
S-18	10/10/1996	NA	NA	NA	NA	NA	NA	NA	20.57	6.06	14.51	NA	NA
S-18	01/09/1997	<50	<0.50	<0.50	<0.50	<0.50	<2.5	NA	20.57	4.70	15.87	NA	NA
S-18	04/08/1997	NA	NA	NA	NA	NA	NA	NA	20.57	6.62	13.95	NA	NA
S-18	07/21/1997	NA	NA	NA	NA	NA	NA	NA	20.57	6.94	13.63	NA	NA
S-18	10/08/1997	NA	NA	NA	NA	NA	NA	NA	20.57	6.88	13.69	NA	NA
S-18	01/15/1998	<50	<0.50	<0.50	<0.50	<0.50	<2.5	NA	20.57	3.60	16.97	NA	NA
S-18	04/14/1998	NA	NA	NA	NA	NA	NA	NA	20.57	4.28	16.29	NA	NA
S-18	07/14/1998	NA	NA	NA	NA	NA	NA	NA	20.57	6.13	14.44	NA	NA

WELL CONCENTRATIONS
Former Shell Service Station
15275 Washington Boulevard
San Leandro, CA

Well ID	Date	TPPH (ug/L)	B (ug/L)	T (ug/L)	E (ug/L)	X (ug/L)	MTBE 8020 (ug/L)	MTBE 8260 (ug/L)	TOC (MSL)	Depth to Water (ft.)	GW Elevation (MSL)	SPH Thickness (ft.)	DO Reading (ppm)
S-18	10/20/1998	NA	NA	NA	NA	NA	NA	NA	20.57	7.20	13.37	NA	NA
S-18	01/22/1999	<50.0	<0.500	<0.500	<0.500	<0.500	<2.00	NA	20.57	6.00	14.57	NA	NA
S-18	04/08/1999	NA	NA	NA	NA	NA	NA	NA	20.57	4.95	15.62	NA	NA
S-18	07/23/1999	NA	NA	NA	NA	NA	NA	NA	20.57	6.03	14.54	NA	NA
S-18	10/26/1999	NA	NA	NA	NA	NA	NA	NA	20.57	7.39	13.18	NA	NA
S-18	01/03/2000	<50.0	<0.500	<0.500	<0.500	<0.500	<2.50	NA	20.57	7.54	13.03	NA	NA
S-18	04/14/2000	NA	NA	NA	NA	NA	NA	NA	20.57	4.41	16.16	NA	NA
S-18	07/12/2000	NA	NA	NA	NA	NA	NA	NA	20.57	5.31	15.26	NA	NA
S-18	11/01/2000	NA	NA	NA	NA	NA	NA	NA	20.57	6.42	14.15	NA	NA
S-18	01/03/2001	<50.0	<0.500	<0.500	<0.500	<0.500	3.67	NA	20.57	7.30	13.27	NA	NA
S-18	04/24/2001	NA	NA	NA	NA	NA	NA	NA	20.57	6.83	13.74	NA	NA
S-18	07/02/2001	NA	NA	NA	NA	NA	NA	NA	20.57	7.23	13.34	NA	NA
S-18	11/02/2001	Unable to locate		NA	NA	NA	NA	NA	20.57	NA	NA	NA	NA
S-18	01/16/2002	<50	<0.50	<0.50	<0.50	<0.50	NA	<5.0	20.57	6.15	14.42	NA	NA
S-18	04/01/2002	NA	NA	NA	NA	NA	NA	NA	20.57	6.06	14.51	NA	NA
S-18	07/11/2002	NA	NA	NA	NA	NA	NA	NA	20.57	6.98	13.59	NA	NA
S-18	10/28/2002	NA	NA	NA	NA	NA	NA	NA	20.63	7.66	12.97	NA	NA
S-18	01/23/2003	<50	<0.50	<0.50	<0.50	<0.50	NA	<5.0	20.63	6.18	14.45	NA	NA
S-18	04/30/2003	NA	NA	NA	NA	NA	NA	NA	20.63	5.32	15.31	NA	NA
S-18	07/01/2003	NA	NA	NA	NA	NA	NA	NA	20.63	7.20	13.43	NA	NA
S-18	10/08/2003	NA	NA	NA	NA	NA	NA	NA	20.63	7.48	13.15	NA	NA
S-18	01/22/2004	<50	<0.50	<0.50	<0.50	<1.0	NA	NA	20.63	6.74	13.89	NA	NA
S-18	07/13/2004	NA	NA	NA	NA	NA	NA	NA	20.63	7.87	12.76	NA	NA
S-18	01/20/2005	<50	<0.50	<0.50	<0.50	<1.0	NA	NA	20.63	5.33	15.30	NA	NA
S-18	07/19/2005	NA	NA	NA	NA	NA	NA	NA	20.63	6.55	14.08	NA	NA
S-18	01/27/2006	<50.0	<0.500	<0.500	<0.500	<0.500	NA	NA	20.63	5.89	14.74	NA	NA
S-18	07/25/2006	NA	NA	NA	NA	NA	NA	NA	20.63	7.10	13.53	NA	NA
S-18	01/04/2007	<50	<0.50	<0.50	<0.50	<1.0	NA	NA	20.63	6.60	14.03	NA	NA

WELL CONCENTRATIONS
Former Shell Service Station
15275 Washington Boulevard
San Leandro, CA

Well ID	Date	TPPH (ug/L)	B (ug/L)	T (ug/L)	E (ug/L)	X (ug/L)	MTBE 8020 (ug/L)	MTBE 8260 (ug/L)	TOC (MSL)	Depth to Water (ft.)	GW Elevation (MSL)	SPH Thickness (ft.)	DO Reading (ppm)
S-19	10/20/1998	<50	<0.50	<0.50	<0.50	<0.50	<2.5	NA	20.11	6.41	13.70	NA	NA
S-19	01/22/1999	<50.0	<0.500	<0.500	<0.500	<0.500	90.6	NA	20.11	5.42	14.69	NA	NA
S-19	04/08/1999	<50.0	<0.500	<0.500	<0.500	<0.500	<5.00	NA	20.11	4.61	15.50	NA	NA
S-19	07/23/1999	<50.0	<0.500	<0.500	<0.500	<0.500	<5.00	NA	20.11	5.86	14.25	NA	NA
S-19	10/26/1999	<50.0	<0.500	<0.500	<0.500	<0.500	<2.50	NA	20.11	6.28	13.83	NA	NA
S-19	01/03/2000	<50.0	<0.500	<0.500	<0.500	<0.500	<2.50	NA	20.11	6.62	13.49	NA	NA
S-19	04/14/2000	<50.0	<0.500	<0.500	<0.500	<0.500	<2.50	NA	20.11	4.31	15.80	NA	NA
S-19	07/12/2000	<50.0	<0.500	<0.500	<0.500	<0.500	<2.50	NA	20.11	5.46	14.65	NA	NA
S-19	11/01/2000	<50.0	<0.500	<0.500	<0.500	<0.500	<2.50	NA	20.11	5.05	15.06	NA	NA
S-19	01/03/2001	<50.0	<0.500	<0.500	<0.500	<0.500	9.61	NA	20.11	6.00	14.11	NA	NA
S-19	04/24/2001	<50	<0.50	<0.50	<0.50	<0.50	NA	<0.50	20.11	5.58	14.53	NA	NA
S-19	07/02/2001	<50	<0.50	<0.50	<0.50	<0.50	NA	<5.0	20.11	6.34	13.77	NA	3.4
S-19	11/02/2001	<50	<0.50	<0.50	<0.50	<0.50	NA	<5.0	20.11	6.57	13.54	NA	3.4
S-19	01/16/2002	<50	<0.50	<0.50	<0.50	<0.50	NA	<5.0	20.11	5.05	15.06	NA	0.5
S-19	04/01/2002	<50	<0.50	<0.50	<0.50	<0.50	NA	<5.0	20.11	5.13	14.98	NA	3.3
S-19	07/11/2002	<50	<0.50	<0.50	<0.50	<0.50	NA	<5.0	20.11	5.50	14.61	NA	0.5
S-19	10/28/2002	<50	<0.50	<0.50	<0.50	<0.50	NA	<0.50	20.10	6.35	13.75	NA	0.6
S-19	01/23/2003	<50	<0.50	<0.50	<0.50	<0.50	NA	<5.0	20.10	5.15	14.95	NA	0.3
S-19	04/30/2003	<50	<0.50	<0.50	<0.50	<1.0	NA	<5.0	20.10	4.90	15.20	NA	0.5
S-19	07/01/2003	<50	<0.50	<0.50	<0.50	<1.0	NA	<0.50	20.10	5.50	14.60	NA	1.7
S-19	10/08/2003	58	<0.50	<0.50	<0.50	<1.0	NA	<0.50	20.10	6.63	13.47	NA	0.4
S-19	01/22/2004	<50	<0.50	<0.50	<0.50	<1.0	NA	NA	20.10	5.67	14.43	NA	0.6
S-19	07/13/2004	NA	NA	NA	NA	NA	NA	NA	20.10	6.82	13.28	NA	1.0
S-19	01/20/2005	<50	<0.50	<0.50	<0.50	<1.0	NA	NA	20.10	4.75	15.35	NA	0.6
S-19	07/19/2005	NA	NA	NA	NA	NA	NA	NA	20.10	5.15	14.95	NA	NA
S-19	01/27/2006	<50.0	<0.500	<0.500	<0.500	<0.500	NA	NA	20.10	4.85	15.25	NA	NA
S-19	07/25/2006	NA	NA	NA	NA	NA	NA	NA	20.10	6.14	13.96	NA	NA

WELL CONCENTRATIONS
Former Shell Service Station
15275 Washington Boulevard
San Leandro, CA

Well ID	Date	TPPH (ug/L)	B (ug/L)	T (ug/L)	E (ug/L)	X (ug/L)	MTBE 8020 (ug/L)	MTBE 8260 (ug/L)	TOC (MSL)	Depth to Water (ft.)	GW Elevation (MSL)	SPH Thickness (ft.)	DO Reading (ppm)
S-19	01/04/2007	<50	<0.50	<0.50	<0.50	<1.0	NA	NA	20.10	5.75	14.35	NA	NA
SR-1	03/22/1989	5400	1100	230	350	1300	NA	NA	21.45	NA	NA	NA	NA
SR-1	01/25/1990	2200	470	120	110	510	NA	NA	21.45	7.53	13.92	NA	NA
SR-1	04/18/1990	1000	130	47	47	220	NA	NA	21.45	8.17	13.28	NA	NA
SR-1	07/23/1990	3200	470	320	170	870	NA	NA	21.45	7.58	13.87	NA	NA
SR-1	10/18/1990	1300	280	6.6	110	130	NA	NA	21.45	8.81	12.64	NA	NA
SR-1	01/28/1991	110	120	12	51	110	NA	NA	21.45	8.37	13.08	NA	NA
SR-1	04/25/1991	NA	NA	NA	NA	NA	NA	NA	21.45	6.91	14.54	NA	NA
SR-1	07/09/1991	1400	200	27	130	340	NA	NA	21.45	8.11	13.34	NA	NA
SR-1	10/08/1991	980	79	1.5	44	52	NA	NA	21.45	8.63	12.82	NA	NA
SR-1	02/05/1991	3800	580	36	320	400	NA	NA	21.45	7.68	13.77	NA	NA
SR-1	04/28/1992	38000	1800	460	1900	750	NA	NA	21.45	7.27	14.18	NA	NA
SR-1	07/27/1992	NA	NA	NA	NA	NA	NA	NA	21.45	8.11	13.34	0.01	NA
SR-1	10/26/1992	1800	370	10	130	130	NA	NA	21.45	8.63	12.82	NA	NA
SR-1	01/13/1993	47000	1000	1100	1700	13000	NA	NA	21.45	5.46	15.99	NA	NA
SR-1	04/16/1993	25000	1700	430	2400	8300	NA	NA	21.45	6.28	15.17	NA	NA
SR-1	07/23/1993	33000	2400	2000	3800	14000	NA	NA	21.45	7.34	14.11	NA	NA
SR-1	10/27/1993	2300	340	<12.5	270	440	NA	NA	21.45	8.04	13.41	NA	NA
SR-1	01/27/1994	36000	2000	1700	3000	11000	NA	NA	21.45	6.68	14.77	NA	NA
SR-1	05/05/1994	43000	1500	130	2900	12000	NA	NA	20.57	6.81	13.76	NA	NA
SR-1	07/26/1994	13600	682.7	39.2	996.6	2516	NA	NA	20.57	7.38	13.19	NA	NA
SR-1	10/28/1994	8462	301.5	29.3	384.7	2019	NA	NA	20.57	7.48	13.09	NA	NA
SR-1	01/02/1995	13000	400	120	2500	10000	NA	NA	20.57	6.34	14.23	NA	NA
SR-1	04/14/1995	43000	690	370	2500	12000	NA	NA	20.57	5.29	15.28	NA	NA
SR-1	07/28/1995	35000	760	120	2300	8100	NA	NA	20.57	6.36	14.21	NA	NA
SR-1	10/17/1995	9700	310	12	610	1200	NA	NA	20.57	6.62	13.95	NA	NA
SR-1 (D)	10/17/1995	8300	230	9.6	680	840	NA	NA	20.57	NA	NA	NA	NA

WELL CONCENTRATIONS
Former Shell Service Station
15275 Washington Boulevard
San Leandro, CA

Well ID	Date	TPPH (ug/L)	B (ug/L)	T (ug/L)	E (ug/L)	X (ug/L)	MTBE 8020 (ug/L)	MTBE 8260 (ug/L)	TOC (MSL)	Depth to Water (ft.)	GW Elevation (MSL)	SPH Thickness (ft.)	DO Reading (ppm)
SR-1	01/11/1996	18000	410	170	1200	4400	42	NA	20.57	5.66	14.91	NA	NA
SR-1 (D)	01/11/1996	17000	420	180	1100	4000	42	NA	20.57	NA	NA	NA	NA
SR-1	04/02/1996	NA	NA	NA	NA	NA	NA	NA	20.57	5.14	15.43	NA	NA
SR-1	07/09/1996	Well inaccessible		NA	NA	NA	NA	NA	20.57	NA	NA	NA	NA
SR-1	10/10/1996	Well inaccessible		NA	NA	NA	NA	NA	20.57	NA	NA	NA	NA
SR-1	01/09/1997	Well inaccessible		NA	NA	NA	NA	NA	20.57	NA	NA	NA	NA
SR-1	04/08/1997	Well inaccessible		NA	NA	NA	NA	NA	20.57	NA	NA	NA	NA
SR-1	07/21/1997	Well inaccessible		NA	NA	NA	NA	NA	20.57	NA	NA	NA	NA
SR-1	10/08/1997	NA	NA	NA	NA	NA	NA	NA	20.57	6.94	13.63	NA	NA
SR-1	01/15/1998	8100	82	<25	36	2300	<125	NA	20.57	4.30	16.27	NA	NA
SR-1	04/14/1998	Well inaccessible		NA	NA	NA	NA	NA	20.57	NA	NA	NA	NA
SR-1	07/14/1998	NA	NA	NA	NA	NA	NA	NA	20.28	6.48	13.80	NA	NA
SR-1	10/20/1998	NA	NA	NA	NA	NA	NA	NA	20.28	6.61	13.67	NA	NA
SR-1	01/22/1999	Well inaccessible		NA	NA	NA	NA	NA	20.28	NA	NA	NA	NA
SR-1	04/08/1999	NA	NA	NA	NA	NA	NA	NA	20.28	0.97	19.31	NA	NA
SR-1	07/23/1999	Well dry	NA	NA	NA	NA	NA	NA	20.28	NA	NA	NA	NA
SR-1	10/26/1999	Well dry	NA	NA	NA	NA	NA	NA	20.28	NA	NA	NA	NA
SR-1	04/14/2000	Obstruction in well		NA	NA	NA	NA	NA	20.28	NA	NA	NA	NA
SR-1	07/12/2000	Obstruction in well		NA	NA	NA	NA	NA	20.28	NA	NA	NA	NA
SR-1	11/01/2000	Obstruction in well		NA	NA	NA	NA	NA	20.28	NA	NA	NA	NA
SR-1	01/03/2001	Obstruction in well		NA	NA	NA	NA	NA	20.28	NA	NA	NA	NA
SR-1	04/24/2001	Obstruction in well		NA	NA	NA	NA	NA	20.28	NA	NA	NA	NA
SR-1	07/02/2001	Obstruction in well		NA	NA	NA	NA	NA	20.28	NA	NA	NA	NA
SR-1	11/02/2001	Well dry	NA	NA	NA	NA	NA	NA	20.28	NA	NA	NA	NA
SR-1	01/16/2002	Well dry	NA	NA	NA	NA	NA	NA	20.28	NA	NA	NA	NA
SR-1	04/01/2002	Obstruction in well		NA	NA	NA	NA	NA	20.28	NA	NA	NA	NA
SR-1	07/11/2002	Obstruction in well		NA	NA	NA	NA	NA	20.28	NA	NA	NA	NA
SR-1	10/28/2002	Obstruction in well		NA	NA	NA	NA	NA	20.27	NA	NA	NA	NA

WELL CONCENTRATIONS
Former Shell Service Station
15275 Washington Boulevard
San Leandro, CA

Well ID	Date	TPPH (ug/L)	B (ug/L)	T (ug/L)	E (ug/L)	X (ug/L)	MTBE 8020 (ug/L)	MTBE 8260 (ug/L)	TOC (MSL)	Depth to Water (ft.)	GW Elevation (MSL)	SPH Thickness (ft.)	DO Reading (ppm)
---------	------	----------------	-------------	-------------	-------------	-------------	------------------------	------------------------	--------------	----------------------------	--------------------------	---------------------------	------------------------

SR-1	01/23/2003	Obstruction in well		NA	NA	NA	NA	NA	20.27	NA	NA	NA	NA
SR-1	04/30/2003	Obstruction in well		NA	NA	NA	NA	NA	20.27	NA	NA	NA	NA
SR-1	07/01/2003	Obstruction in well		NA	NA	NA	NA	NA	20.27	NA	NA	NA	NA
SR-1	10/08/2003	Well dry	NA	NA	NA	NA	NA	NA	20.27	NA	NA	NA	NA

SV-1	04/15/1998 b	NA	NA	NA	NA	NA	NA	NA	NA	6.02	NA	NA	NA
SV-1	04/15/1998 c	NA	NA	NA	NA	NA	NA	NA	NA	7.15	NA	NA	NA
SV-1	03/18/2002 d	NA	NA	NA	NA	NA	NA	NA	21.31	NA	NA	NA	NA
SV-1	01/22/2004	3000	15	<2.5	34	11	NA	<2.5	21.31	6.67	14.64	NA	NA

Abbreviations:

TPPH = Total petroleum hydrocarbons as gasoline by EPA Method 8260B; prior to April 24, 2001, analyzed by EPA Method 8015.

BTEX = Benzene, toluene, ethylbenzene, xylenes by EPA Method 8260B; prior to April 24, 2001, analyzed by EPA Method 8020.

MTBE = Methyl tertiary butyl ether

TOC = Top of Casing Elevation

SPH = Separate-Phase Hydrocarbons

GW = Groundwater

DO = Dissolved Oxygen

ug/L = Parts per billion

MSL = Mean sea level

ppm = Parts per million

ft. = Feet

<n = Below detection limit

(D) = Duplicate sample

NA = Not applicable

WELL CONCENTRATIONS
Former Shell Service Station
15275 Washington Boulevard
San Leandro, CA

Well ID	Date	TPPH (ug/L)	B (ug/L)	T (ug/L)	E (ug/L)	X (ug/L)	MTBE 8020 (ug/L)	MTBE 8260 (ug/L)	TOC (MSL)	Depth to Water (ft.)	GW Elevation (MSL)	SPH Thickness (ft.)	DO Reading (ppm)
---------	------	----------------	-------------	-------------	-------------	-------------	------------------------	------------------------	--------------	----------------------------	--------------------------	---------------------------	------------------------

Notes:

a = Chromatogram pattern indicated an unidentified hydrocarbon.

b = Pre-development sample

c = Post-development sample

d = Survey date only.

e = DO reading not taken.

f = TOC lowered 0.08 feet due to wellhead maintenance on June 3, 2004.

Site surveyed March 18, 2002 by Virgil Chavez Land Surveying of Vallejo, CA.

Vapor Sampling (VS)

Gregg In Situ, Inc. performs vapor sampling using either a post run sampling system or a specially designed filter probe attached to the piezocone. Both vapor sampling probes are pushed with the hydraulic ram on the CPT or the Ram-Set system.

The post run system uses a one foot sampler that is pushed in the closed position, *Figure VS*. Once the sample interval is achieved, 1/4 inch tubing is attached to a specially designed coupling mechanism and lowered down the center of the push rods. When the tubing is coupled with the sampler, the sampler is retracted to expose a stainless steel filter screen and the sample is pulled to the surface via a vacuum pump, *Figure VS2*. After the sample has been taken, the sampler is withdrawn from the test hole, decontaminated and ready to re-deploy.

The second method involves using real time lithology measurements to determine appropriate sampling locations on site. The CPT sounding is then stopped at a determined interval to collect soil gas samples. The soil gas module is attached to the cone approximately two feet behind the cone tip and consists of a stainless steel filter that is slightly inset from the module to help prevent soil smearing, *Figure VS*. 1/4 inch tubing is pre strung through the rods and is attached to the sampling module.

As the module is advanced, positive pressure is applied to the sample line between sample depths to purge the line and to keep the filter clear. Once the sample interval has been achieved the positive pressure source is shut off and the line is purged by the vacuum source, generally 2 to 3 times the tubing volume. The sample is then collected into either a TEDLAR bag, SUMA canister or a syringe, *Figure VS2*. The resulting benefit is that the sounding can continue without removing the sampler from the hole between samples.

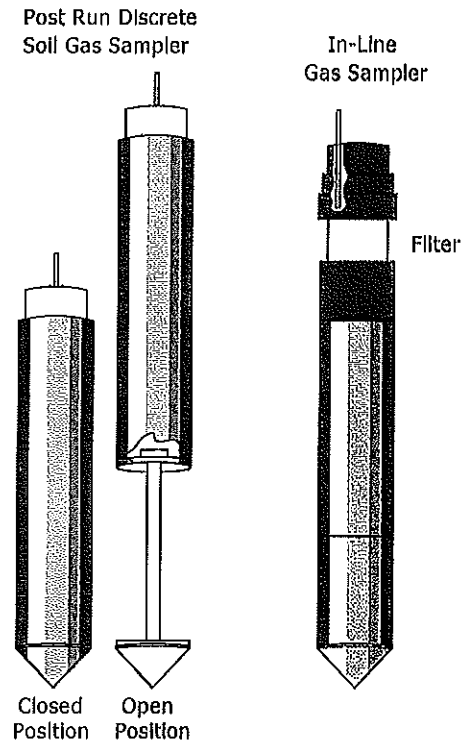
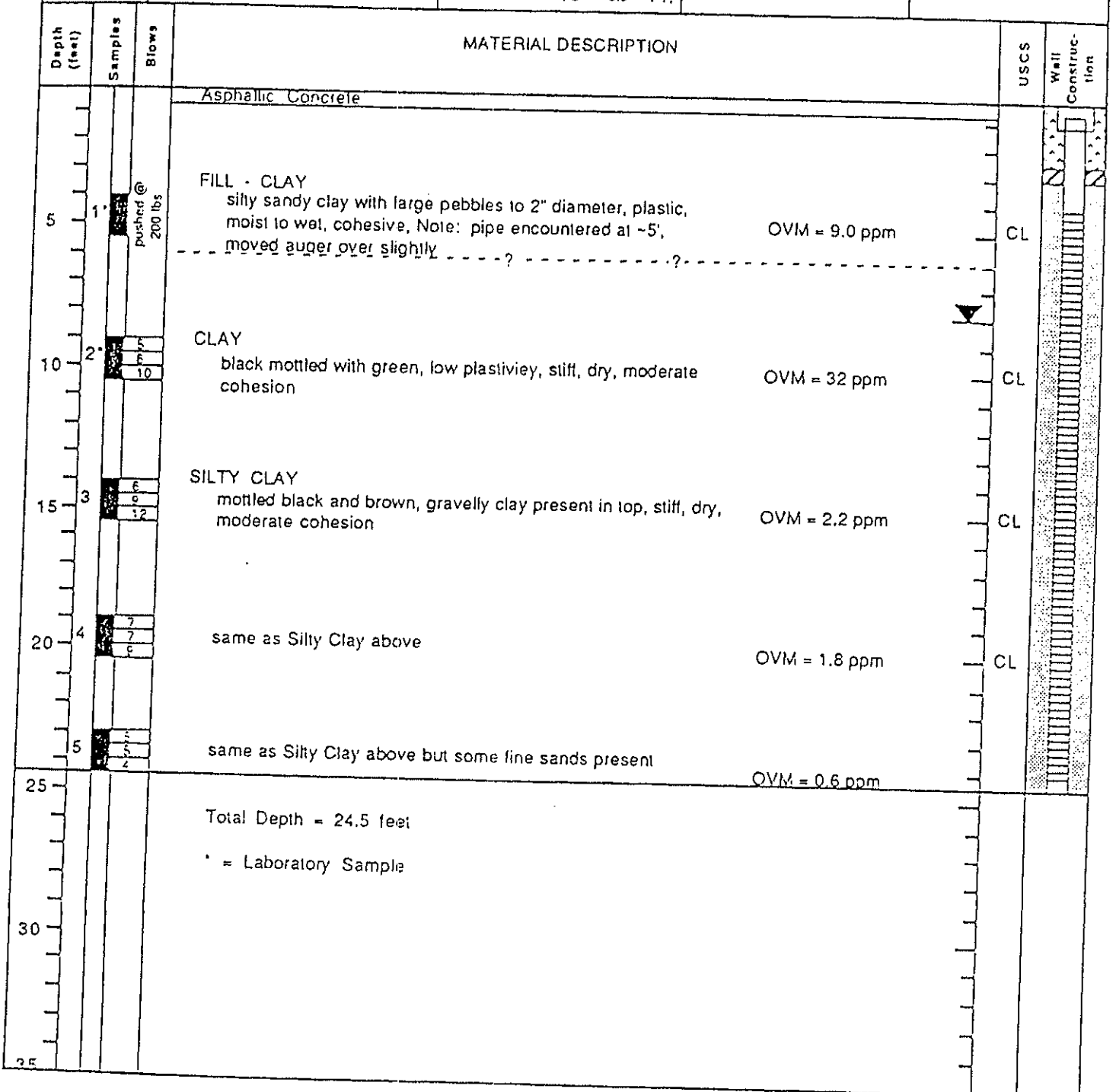


Figure VS

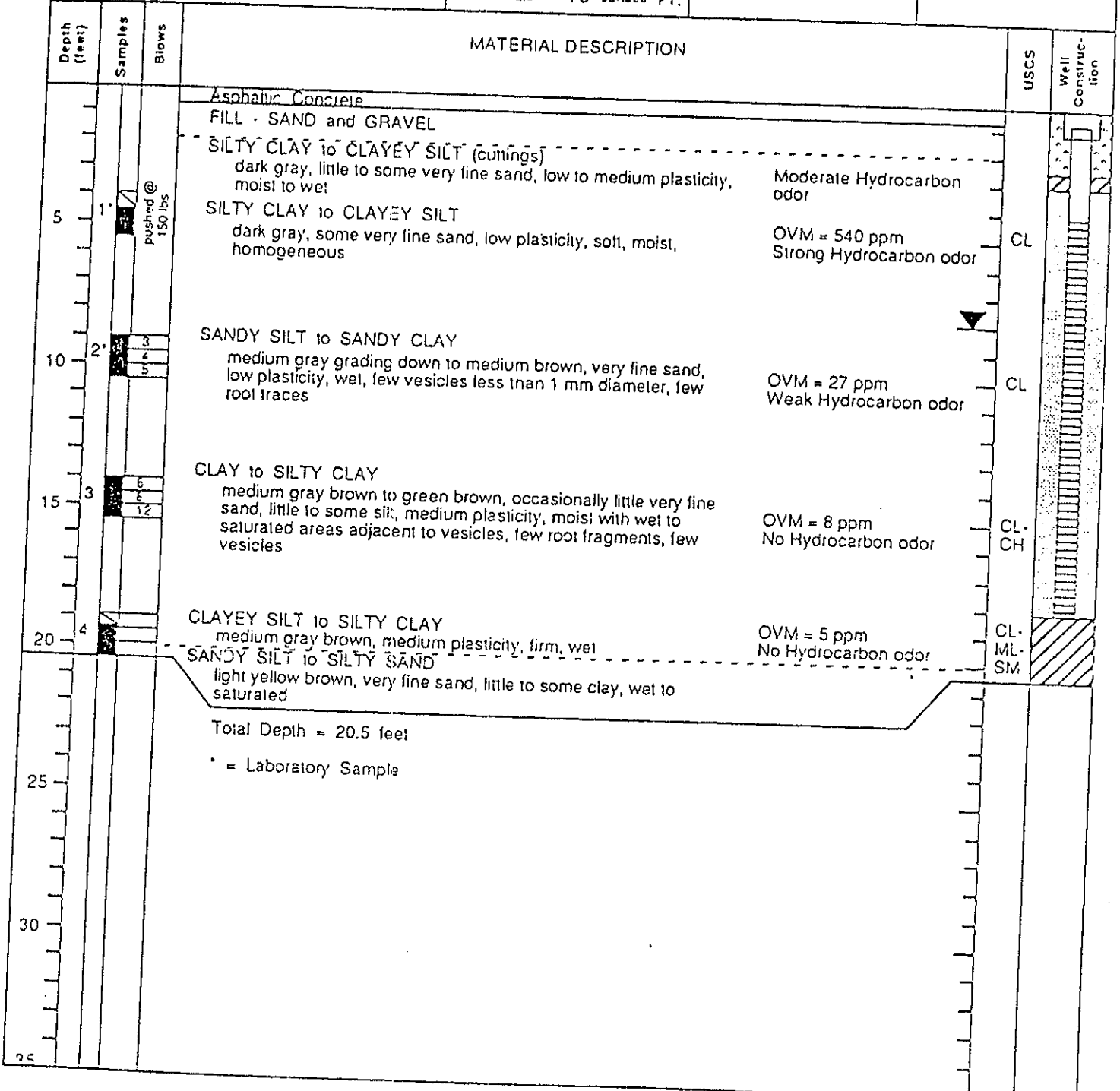
Attachment B

BORING LOGS (S-7, S-9, S-10, SR-1)

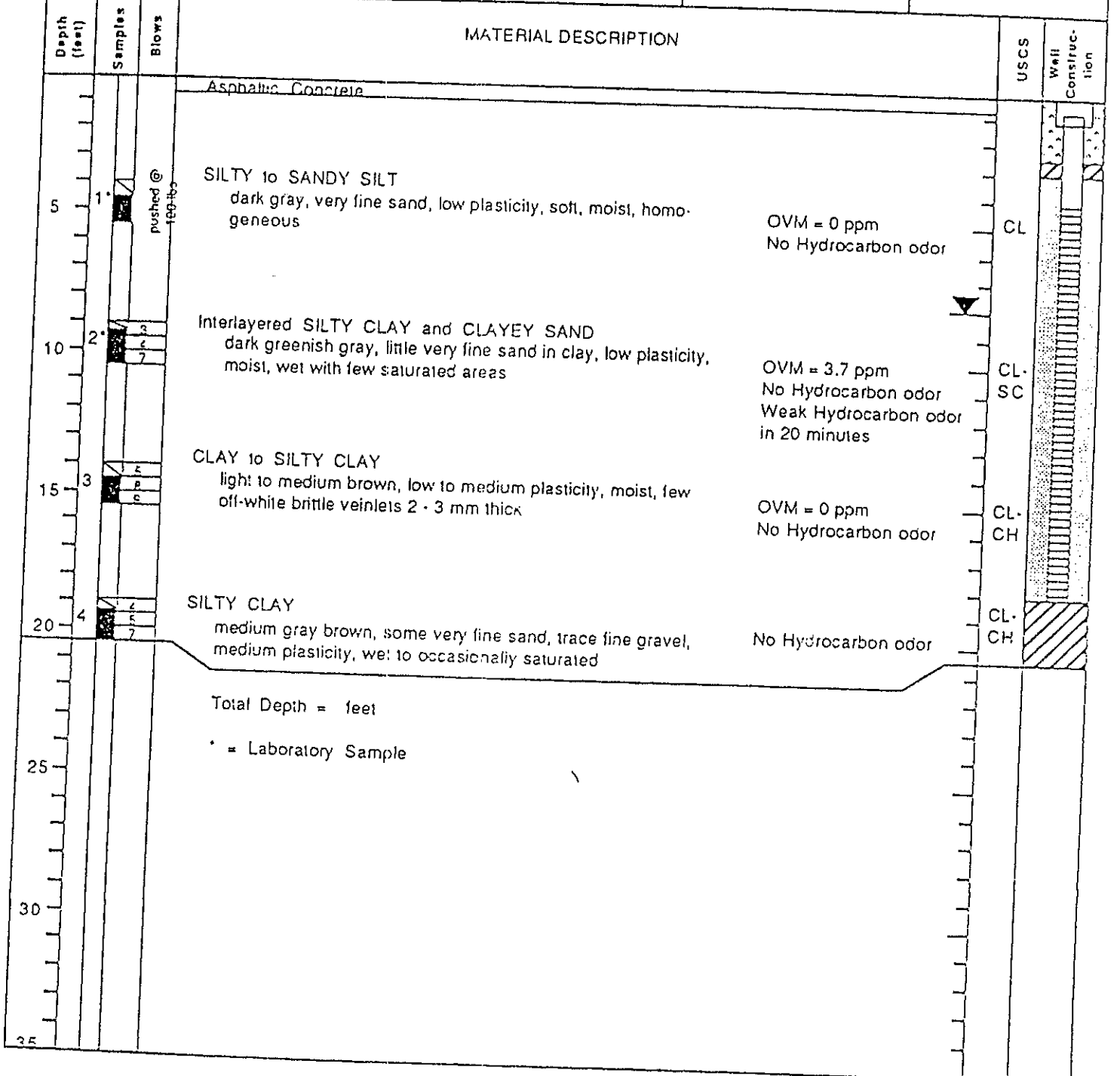
MONITORING WELL LOCATION 15275 Washington Ave., San Leandro, CA (S-7)		ELEVATION AND DATUM	
DRILLING AGENCY Bay Land Drilling	DRILLER TomMach	DATE STARTED 11/3/88	DATE FINISHED
DRILLING EQUIPMENT CME-55		COMPLETION DEPTH 24.5'	SAMPLER Moditec California
DRILLING METHOD 8" Hollow stem auger	DRILL BIT CME Carbide	NO. OF SAMPLES	DIST. 5
SIZE AND TYPE OF CASING Sch 40 3" PVC	FROM 24.0 TO 0.5 FT.	WATER LEVEL	FIRST -8'
TYPE OF PERFORATION 0.02"	FROM 24.0 TO 4.0 FT.	LOGGED BY: R. Siegel	
SIZE AND TYPE OF PACK 2/12 Monterey Sand	FROM 24.5 TO 3.0 FT.	CHECKED BY: M. Bonkowski	
TYPE OF SEAL	NO. 1 Bentonite	FROM 3 TO 2.5 FT.	
	NO. 2 Cement grout	FROM 2.5 TO 0.5 FT.	



MONITORING WELL LOCATION		15275 Washington Ave., San Leandro, CA (S-9)		ELEVATION AND DATUM	
DRILLING AGENCY	Bay Land Drilling	DRILLER	Tom/Mach	DATE STARTED	11/4/88
DRILLING EQUIPMENT	CME-55	COMPLETION DEPTH	18'	SAMPLER	Moore/Co California
DRILLING METHOD	8" Hollow stem auger	DRILL BIT	CME Carbide	NO. OF SAMPLES	DIST. 4
SIZE AND TYPE OF CASING	Sch 40 3" PVC	FROM 18.0 TO 0.5 FT.	WATER LEVEL	FIRST 6' +/-	COMPL. 24 HRS.
TYPE OF PERFORATION	0.02"	FROM 17.5 TO 4.0 FT.	LOGGED BY:	G. Heyman	
SIZE AND TYPE OF PACK	2 1/2" Monterey Sand	FROM 18 TO 3.0 FT.	CHECKED BY:	M. Bonkowski	
TYPE OF SEAL	NO. 1	1/2" Bentonite Pellets	FROM 3 TO 2.5 FT.		
	NO. 2	Cement grout	FROM 2.5 TO surface FT.		



MONITORING WELL LOCATION 15275 Washington Ave., San Leandro, CA (S-10)		ELEVATION AND DATUM	
DRILLING AGENCY Bay Land Drilling	DRILLER TomMack	DATE STARTED 11/4/88	DATE FINISHED
DRILLING EQUIPMENT CME - 55		COMPLETION DEPTH 18'	SAMPLER Modified California
DRILLING METHOD 8" Hollow stem auger	DRILL BIT CME Carbide	NO. OF SAMPLES 4	DIST. 4
SIZE AND TYPE OF CASING Sch 40 3" PVC	FROM 18.0 TO 0.5 FT.	WATER LEVEL	FIRST 8' +/-
TYPE OF PERFORATION 0.02"	FROM 17.5 TO 4.0 FT.	LOGGED BY: G. Heyman	CHECKED BY: M. Bonkowski
SIZE AND TYPE OF PACK 2/12 Monterey Sand	FROM 18 TO 3.0 FT.		
TYPE OF SEAL	NO. 1 1/2" Bentonite Pellets	FROM 3 TO 2.5 FT.	
	NO. 2 Cement grout	FROM 2.5 TO surface FT.	



Field location of boring: (See Plate 2)								Project No.: 7615		Date: 10/27/89		Boring No:	
								Client: Shell Oil Company		Location: 15275 Washington Avenue		SR-1	
								City: San Leandro, California		Sheet 1		of 3	
								Logged by: M.J.J.		Driller: Bayland			
Drilling method: Hollow-Stem Auger								Casing installation data: Pilot Boring					
Hole diameter: 8-inches								Top of Box Elevation:		Datum:			
PID (ppm)	Blows/ft. or Pressure (psf)	Type of Sample	Sample Number	Depth (ft.)	Sample	Well Detail	Soil Group Symbol (USCS)	Water Level	12.5	10.9			
								Time					
								Date	10/27/89	10/27/89			
Description													
				1				PAVEMENT SECTION - 4 inches					
				2				FILL - Gravel (GW) - dark brown (10YR 3/3), damp, very loose.					
				3				FILL - Clay with Silt (CL) - black (5Y 2.5/1), damp, soft, high plasticity; < 5% coarse sand; strong chemical odor.					
				4									
231	2			5									
	3	S&H	SR1-5	5									
	4			6									
	3			6				CLAY (CL) - black (2.5Y N3/2), damp, soft, medium plasticity; interbeds of clayey sand (SP-SC); sand is very fine to fine; interbeds occur as discrete units 3 to 5 inches thick; contain 10-20% fines; strong chemical odor.					
243	4	S&H	SR1-6.5	7									
	5			7									
296	2	S&H	SR1-8	8									
	3			8									
	2			9				moderate chemical odor.					
	4			9									
373	6	S&H	SR1-10	10									
	2			10				COLOR CHANGE to black (10YR 3.3) at 10.5 feet.					
108	4	S&H		11				SILTY SAND (SM) - moist, loose, interbedded with clayey silt (ML-CL), medium plasticity; no chemical odor.					
	6		SR1-11.5	12									
				12									
				13				CLAY (CL) - very dark grayish brown (10YR 3/2), damp, stiff, high plasticity; fractured texture; no chemical odor.					
				14									
	2			14									
4.3	4	S&H	SR1-15	15				first encountered water at 16.0 feet. Increasing sand at 16 feet. Interbedded clay with sand and clayey sand (observed during drilling with bucket auger, 11/16/89)					
	8			15									
				16									
				17									
				18									
				19									
Remarks:													

Field location of boring: (See Plate 2)	Project No.: 7615	Date: 10/27/89	Boring No:
	Client: Shell Oil Company	SR-1	
	Location: 15275 Washington Avenue	Sheet 2	
	City: San Leandro, California	of 3	
	Logged by: M.J.J.	Driller: Bayland	

Drilling method: Hollow-Stem Auger	Pilot Boring
Hole diameter: 8-inches	

Top of Box Elevation:	Datum:
Water Level	
Time	
Date	

PO (ppm)	Blows/ft or Pressure (psf)	Type of Sample	Sample Number	Depth (ft.)	Sample	Well Detail	Soil Group Symbol (USCS)	Description
	2			20				
80	4	S&H	SR1-20	21				CLAYEY SILT (ML-CL) - light olive brown (2.5Y 5/4), saturated, medium plasticity; 30% clay; 5% fine to medium sand; no chemical odor.
	6			22				
				23				
				24				CLAY with SAND (CL) - olive gray (5Y 4/2), saturated, stiff, high plasticity; 20% very fine to fine sand; no chemical odor.
66	3	S&H	SR1-30	25				
	3			26				SILT with SAND (ML) - light olive brown (2.5Y 5/4), saturated, stiff; 15% fine to medium sand; 20-30% clay; no chemical odor.
	6			27				
				28				
				29				SAND with SILT (SP-SM) - light olive brown (5Y 4/2), fine sand, saturated, medium dense; well sorted; 10% silt; trace clay; laminae of silt 0.25 inches thick in shoe; iron oxide staining; no chemical odor.
10	3	S&H	SR1-30	30				
	8			31				
	10			32				
				33				
				34				SILTY SAND (SM) - light olive brown (5Y 4/2), saturated, dense; very fine to medium sand; 15% silt; trace clay; no chemical odor.
34	5	S&H	SR1-35	35				
	7			36				
	18			37				
				38				
				39				SAND (SP) - dark grayish brown (2.5Y 3/2), saturated, dense, very fine to medium sand; interbeds of fine

Remarks:

Field location of boring: (See Plate 2)	Project No.: 7615	Date: 10/27/89	Boring No: SR-1
	Client: Shell Oil Company		
	Location: 15275 Washington Avenue		
	City: San Leandro, California		
	Logged by: M.J.J.	Drill: Bayland	Sheet 3 of 3

Drilling method: Hollow-Stem Auger	Casing installation data: Pilot Boring
------------------------------------	--

Hole diameter: 8-inches	Top of Box Elevation:	Datum:
-------------------------	-----------------------	--------

PID (ppm)	Blows/ft. or Pressure (psf)	Type of Sample	Sample Number	Depth (ft.)	Sample	Well Detail	Soil Group Symbol (USCS)	Casing installation data:					
								Water Level	Time	Date	Description		
	9												
8.2	13	S&H	SR1-40	40									
	17												
				41									
				42									
				43									
				44									
				45									
				46									
				47									
				48									
				49									
				50									
				51									
				52									
				53									
				54									
				55									
				56									
				57									
				58									
				59									

Bottom of boring at 40.5 feet.
 Bottom of sample at 40.5 feet.
 10/27/89

Remarks: Boring caved to 30 feet, Bentonite from 19 to 30 feet.



GeoStrategies Inc.

Log of Boring

BORING NO.

SR-1

JOB NUMBER
7615

REVIEWED BY RG/CEG
CAMP REG 1262

DATE
11/89

REVISED DATE

REVISED DATE

Attachment C

VAPOR SAMPLING PROCEDURES (GREGG)

Vapor Sampling (VS)

Gregg In Situ, Inc. performs vapor sampling using either a post run sampling system or a specially designed filter probe attached to the piezocone. Both vapor sampling probes are pushed with the hydraulic ram on the CPT or the Ram-Set system.

The post run system uses a one foot sampler that is pushed in the closed position, *Figure VS*. Once the sample interval is achieved, 1/4 inch tubing is attached to a specially designed coupling mechanism and lowered down the center of the push rods. When the tubing is coupled with the sampler, the sampler is retracted to expose a stainless steel filter screen and the sample is pulled to the surface via a vacuum pump, *Figure VS2*. After the sample has been taken, the sampler is withdrawn from the test hole, decontaminated and ready to re-deploy.

The second method involves using real time lithology measurements to determine appropriate sampling locations on site. The CPT sounding is then stopped at a determined interval to collect soil gas samples. The soil gas module is attached to the cone approximately two feet behind the cone tip and consists of a stainless steel filter that is slightly inset from the module to help prevent soil smearing, *Figure VS*. 1/4 inch tubing is pre strung through the rods and is attached to the sampling module.

As the module is advanced, positive pressure is applied to the sample line between sample depths to purge the line and to keep the filter clear. Once the sample interval has been achieved the positive pressure source is shut off and the line is purged by the vacuum source, generally 2 to 3 times the tubing volume. The sample is then collected into either a TEDLAR bag, SUMA canister or a syringe, *Figure VS2*. The resulting benefit is that the sounding can continue without removing the sampler from the hole between samples.

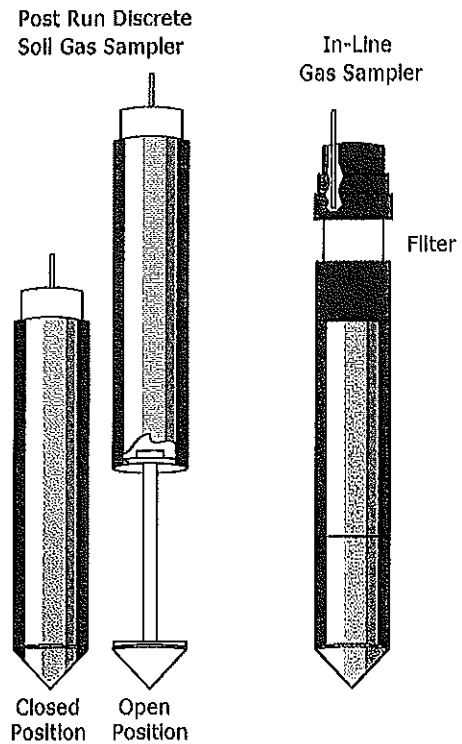


Figure VS

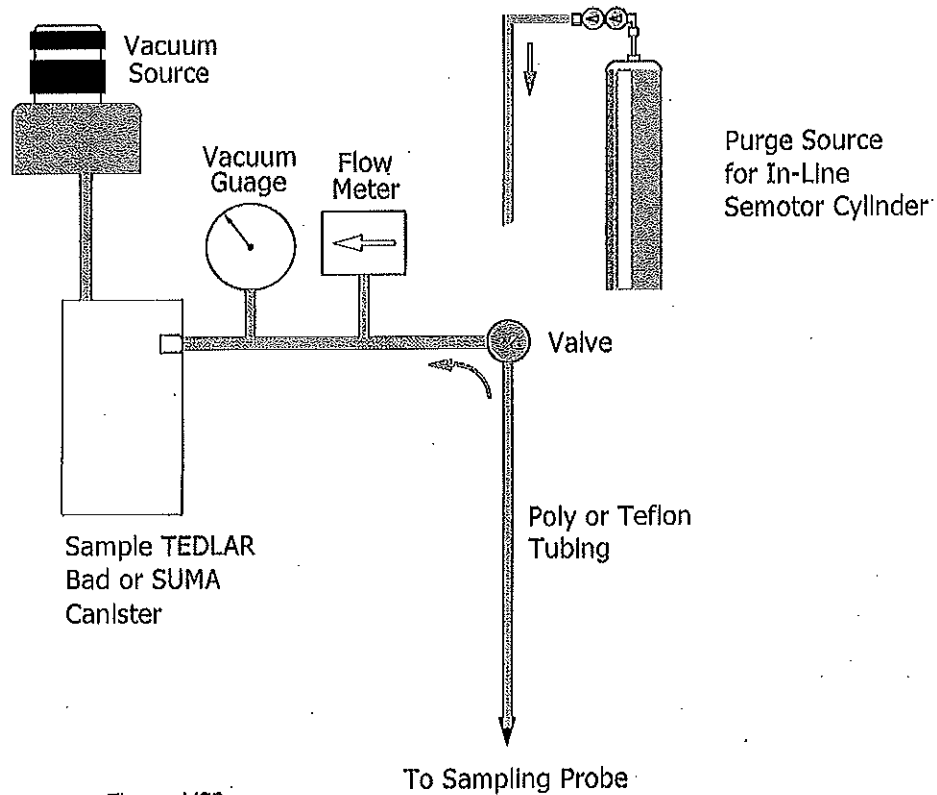


Figure VS2

For a detailed reference on soil gas sampling, refer to DeGroot et. al., 1998.



2726 Walnut Avenue · Signal Hill · California · 90755 · Phone: (562) 427-6899 · Fax: (562) 427-3314
 Web Site: www.greggdrilling.com Email: info@greggdrilling.com
 Additional locations in: Charleston · Houston · Palo Alto · Salt Lake City · San Francisco · Vancouver