



JONAS & ASSOCIATES INC.
Environmental Consultants

1056 Dale Place • Concord, California 94518 • (415) 676-8554
510

August 6, 1992

Mr. Barney Chan
Alameda County Health Agency
Department of Environmental Health
80 Swan Way, Room 350
Oakland, California 94621
(510) 271-4530

STUD
4245

-- faxed and mailed --

Subject: Request for Determination on Future Action
Excavation Activities at PACO Pumps' 9201 San Leandro Street Facility

Dear Barney:

We have just received the results of the soil samples collected on August 3, 1992. This sampling effort is associated with excavation activities at PACO Pumps' 9201 San Leandro Street facility. As you can see in the attached figure, elevated concentrations currently still exist. Our recommendations are to continue excavating the walls of the excavation down to 8.5 feet below the surface. The recommended extent of excavation for this round of activities is presented in Figure E-1. We are currently limited by the proximity of the building and do not recommend excavating closer than four feet from the foundation. Please review our recommendations and call with your determination. We would like to continue our excavating activities on Monday, August 10, 1992.

If you wish to pass this site on to another of your colleagues, please have them contact us with their determination. But we do enjoy the experience of working with you personally. We also understand the agency is currently undergoing a reorganization.

Myself and Mr. Scott Liddicoat, of PACO Pumps Inc., would like to meet with you, or the appropriate agency representative, to discuss future actions at PACO Pumps' 9201 San Leandro facility. If possible, we would like to meet in your office on Friday, August 14, 1992, at 10:30 A.M. Please call to confirm your availability for the time and date of this proposed meeting.

The Work Plan for PACO Pumps' 845 92nd Avenue facility will be undergoing review by PACO Pumps and will be sent to the agency after the company has completed their review.

We look forward to hearing from you and hope that we can work together on either of these two projects.

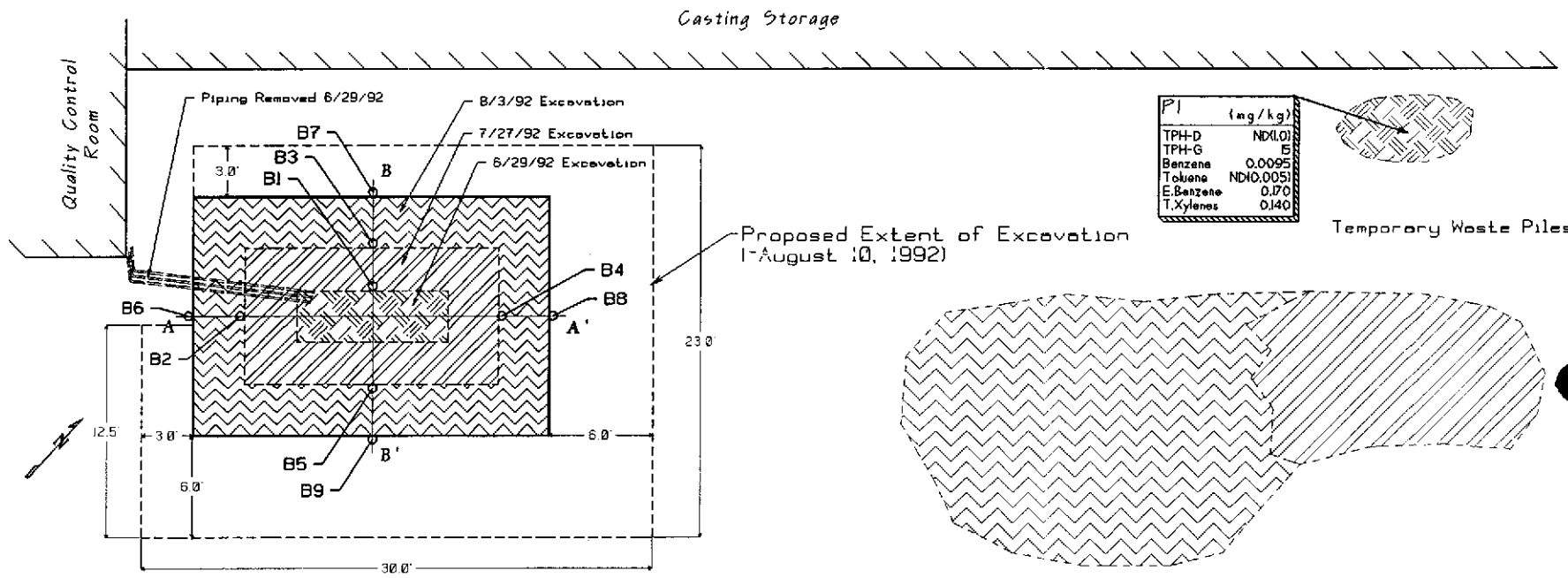
Sincerely,
JONAS AND ASSOCIATES INC.

Mark L. Jonas
Mark L. Jonas
Project Manager

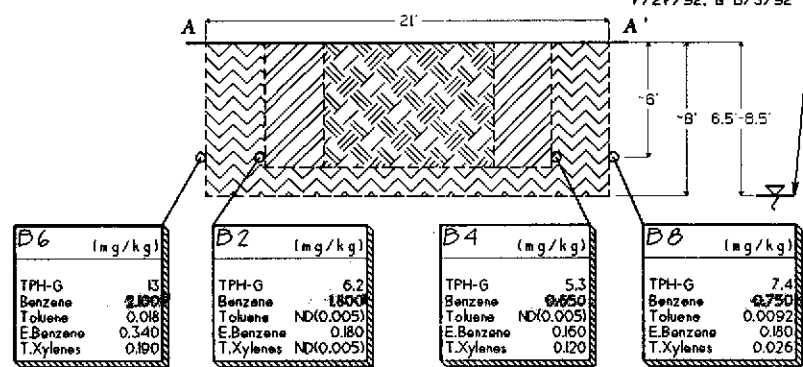
attachment: Figure E-1. & Laboratory results for 8/3/92 sampling effort

RECEIVED
AUG 10 1992
ALAMEDA COUNTY HEALTH AGENCY

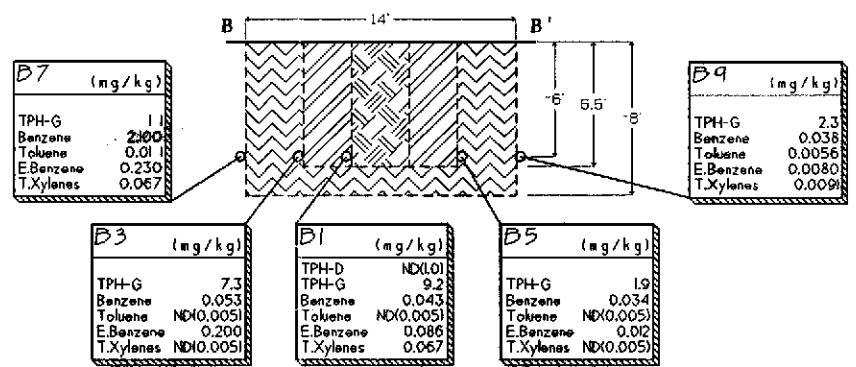
Drawn by A.J. 8/3/92 Checked by Approved by Drawing Number PC0221-8/92-E1 Figure E-1



Cross-section A-A'

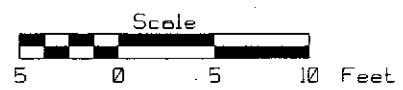


Cross-section B-B'



Legend:

- A — A' Cross Sections
- B3 Sample Number
- B1 to B9: Soil Samples
- P1: Pile Sample
- ND(0.005) - Not Detected above the laboratory detection limit in parentheses.
- Measurements were made with a tape measure and are approximate.



No tank was found in the excavation, only piping and debris.
Excavations occurred on 6/29/92, 7/27/92, & 8/3/92

EXCAVATION
SAMPLING RESULTS
PACO PUMPS, INC.
9201 San Leandro Street
Oakland, California
Prepared by
JONAS & ASSOCIATES INC.

Date: 8/3/92	Figure E-1	Drawing Number PC0221-8/92-E1
Locations Approx.		

CHROMALAB, INC.

Environmental Laboratory (1094)

6 DAYS TURNAROUND

August 6, 1992

ChromaLab File No.: 0892005

JONAS & ASSOCIATES, INC.

Attn: M. Jonas

RE: Four soil samples for Gasoline/BTEX analyses

Project Name: 9201 PACO UST REM

Project Number: PCO-221-01-UST

Date Sampled: August 3, 1992

Date Submitted: August 3, 1992

Date Analyzed: August 4, 1992

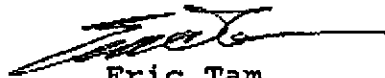
RESULTS:

I.D.	Gasoline (mg/Kg)	Benzene (µg/kg)	Toluene (µg/kg)	Ethyl Benzene (µg/kg)	Total Samples (µg/kg)
B6-8392-6'	13	2100	18	340	190
B7-8392-6'	11	2100	11	230	67
B8-8392-6'	7.4	750	9.2	180	26
B9-8392-6'	2.3	38	5.6	8.0	9.1
BLANK	N.D.	N.D.	N.D.	N.D.	N.D.
SPIKE RECOVERY	86%	90%	100%	110%	97%
DUP. SPIKE RECOVERY	----	90%	101%	101%	100%
DETECTION LIMIT	1.0	5.0	5.0	5.0	5.0
METHOD OF ANALYSIS	5030/8015	8020	8020	8020	8020

ChromaLab, Inc.



Mary Cappelli
Analytical Chemist



Eric Tam
Laboratory Director