

May 27, 2003

Mr. James Yoo  
Alameda County Public Works Agency  
Water Resources Section  
399 Elmhurst St.  
Hayworth, CA 94544-1395

**RE: Monitoring Well Destruction (Gas UST area)  
UPS - Oakland Hub  
8400 Pardee Drive  
Oakland, California  
State ID # 583**

Dear Mr. Yoo:

On behalf of United Parcel Service (UPS), Blasland, Bouck & Lee, Inc. (BBL) is pleased to provide a summary of the monitoring well destruction activities conducted at the above-mentioned facility. This letter summarizes the destruction of three PVC monitoring wells (MW-4, MW-5, and MW-7). Monitoring well MW-6 was to be destroyed, however, upon further inspection it was determined that this well had already been destroyed. These wells were destroyed in accordance with the November 20, 2000 letter from Alameda County Health Care Services Agency.

Prior to the start of field activities, Alameda County was notified of the well destruction schedule. Well destruction was contracted to Gregg Drilling & Testing, Inc. (Gregg) of Martinez, California. Representatives of Gregg Drilling conducted destruction activities on February 12, 2003. Monitoring wells MW-4, MW-5 and MW-7 were pressure grouted with a neat cement mixture as agreed upon by Alameda County. Total depth of each of these wells was 15, 15 and 18 feet, respectively. Well diameters for each of these wells were four, four and two inches, respectively. Approximately 25 gallons of grout were used in filling the three wells. **Figure 1** shows previous locations for the destroyed wells. After the well destruction activities were complete, the parking lot/land surface was restored to conditions compatible with the surrounding areas. Attached are the approved permits issued by your office for the completion of these activities and documentation of the field activities provided by Gregg.

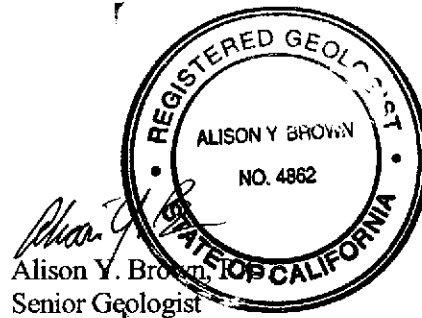
If you have any questions regarding this letter, please do not hesitate to contact me at (770) 428-9009 extension 11. Please direct all correspondence to Linda Lyons of UPS at the address listed on the following page, and please copy BBL on any such correspondence.

Sincerely,

BLASLAND, BOUCK & LEE, INC.



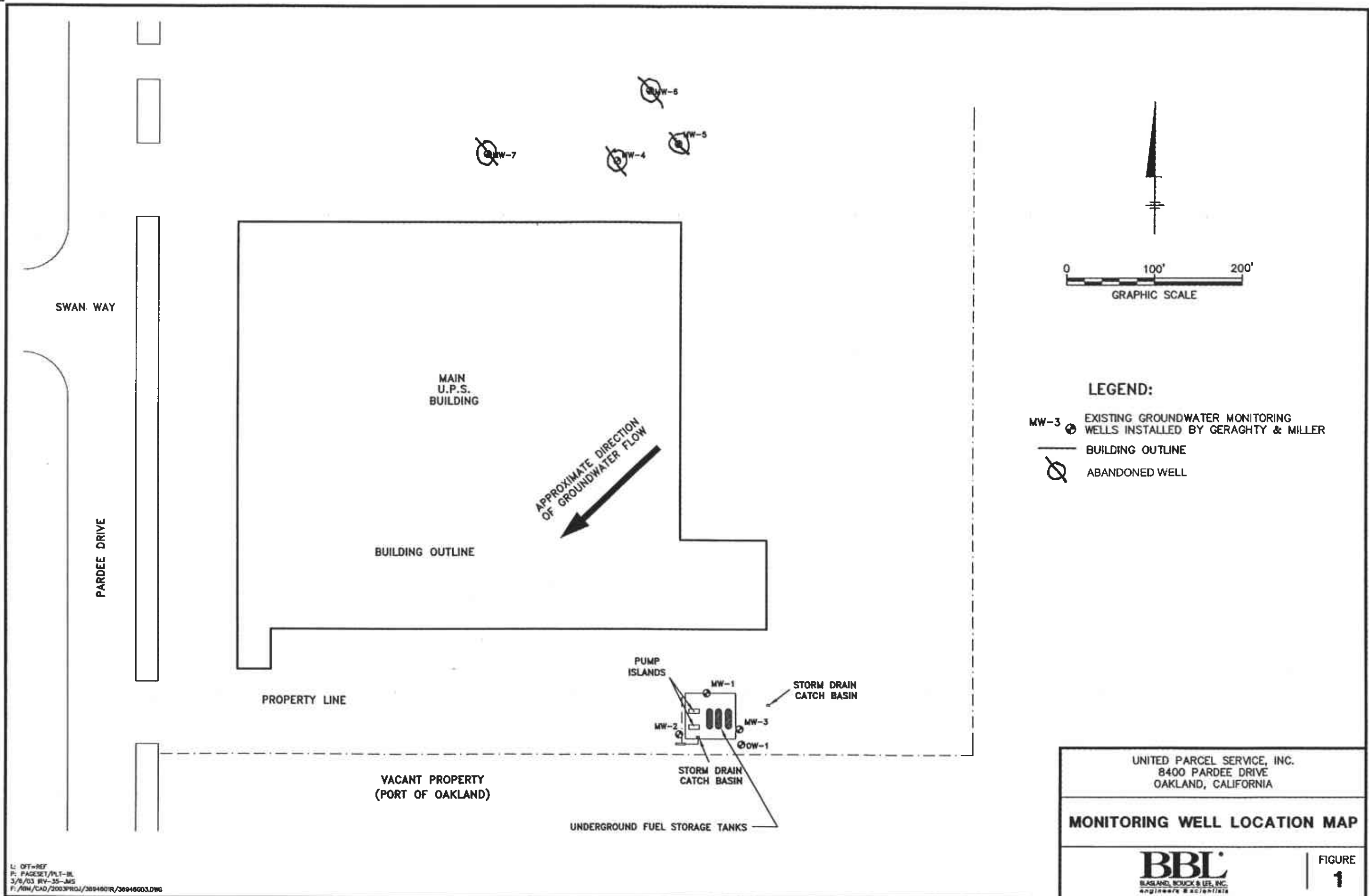
Hugh B. Devery  
Senior Geologist



Alison Y. Brown  
Senior Geologist

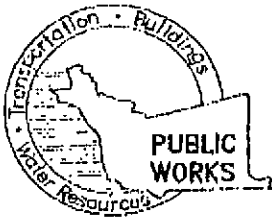
HBD/rbl

cc: Linda Lyons, UPS, 55 Glenlake Parkway, NE, Atlanta, Georgia 30328  
Amir K. Gholami, REHS, Alameda County Health Care Services, Dept. of Environmental Health;  
1131 Harbor Bay Parkway, Alameda, California 94502  
File



L: DIT-REF  
P: PAGESET/PLT-BL  
3/8/03 REV-35-MG  
F: AEM/CAD/2003PROJ/3894801R/3894803.DWG

UNITED PARCEL SERVICE, INC. 8400 PARDEE DRIVE OAKLAND, CALIFORNIA	
<b>MONITORING WELL LOCATION MAP</b>	
 <small>BAGLAND, BOUCK &amp; LEE, INC. engineers &amp; architects</small>	<b>FIGURE</b> <b>1</b>



# ALAMEDA COUNTY PUBLIC WORKS AGENCY

**WATER RESOURCES SECTION**  
 399 ELMHURST ST. HAYWARD CA. 94544-1395  
 PHONE (510) 670-6633 James Yoo  
 FAX (510) 782-1939  
 APPLICANTS: PLEASE ATTACH A SITE MAP FOR ALL DRILLING PERMIT APPLICATIONS  
 DESTRUCTION OF WELLS OVER 45 FEET REQUIRES A SEPARATE PERMIT APPLICATION

## DRILLING PERMIT APPLICATION

FOR APPLICANT TO COMPLETE

FOR OFFICE USE

LOCATION OF PROJECT United Parcel Service  
8400 Proder Drive  
Oakland, CA  
94625-82  
MW-4

PERMIT NUMBER W03-0078  
 WELL NUMBER \_\_\_\_\_  
 APN \_\_\_\_\_

**PERMIT CONDITIONS**

Circled Permit Requirements Apply

CLIENT United Parcel Service  
 Name United Parcel Service  
 Address 55 Glenaks Parkway Phone 404-828-8766  
 City Atlanta Zip 30328

**A. GENERAL**

1. A permit application should be submitted so as to arrive at the ACPWA office five days prior to proposed starting date.
2. Submit to ACPWA within 60 days after completion of permitted original Department of Water Resources-Well Completion Report
3. Permit is void if project not begun within 90 days of approval date

APPLICANT Blasland, Buck, & Lee Inc  
 Name Blasland, Buck, & Lee Inc  
 Address 995 Cobb Place Blvd SE Phone 770-428-7009  
 City Kennesaw, GA Zip 30144

**B. WATER SUPPLY WELLS**

1. Minimum surface seal thickness is two inches of cement grout placed by tremie.
2. Minimum seal depth is 50 feet for municipal and industrial wells or 20 feet for domestic and irrigation wells unless a lesser depth is specially approved.

**TYPE OF PROJECT**

Well Construction	<input type="checkbox"/>	Geotechnical Investigation	<input type="checkbox"/>
Cathodic Protection	<input type="checkbox"/>	General	<input type="checkbox"/>
Water Supply	<input type="checkbox"/>	Contamination	<input checked="" type="checkbox"/>
Monitoring	<input type="checkbox"/>	Well Destruction	<input checked="" type="checkbox"/>

**C. GROUNDWATER MONITORING WELLS INCLUDING PIEZOMETERS**

1. Minimum surface seal thickness is two inches of cement grout placed by tremie.
2. Minimum seal depth for monitoring wells is the maximum depth practicable or 20 feet.

**PROPOSED WATER SUPPLY WELL USE**

New Domestic	<input type="checkbox"/>	Replacement Domestic	<input type="checkbox"/>
Municipal	<input type="checkbox"/>	Irrigation	<input type="checkbox"/>
Industrial	<input type="checkbox"/>	Other	<input type="checkbox"/>

**D. GEOTECHNICAL**

Backfill bore hole by tremie with cement grout or cement grout/sand mixture. Upper two three feet replaced in kind or with compacted cuttings.

**DRILLING METHOD:**

Mud Rotary	<input type="checkbox"/>	Air Rotary	<input type="checkbox"/>	Auger	<input type="checkbox"/>
Cable	<input type="checkbox"/>	Other	<input type="checkbox"/>		

**E. CATHODIC**

Fill hole anode zone with concrete placed by tremie.

DRILLER'S NAME Gregg Drilling  
 DRILLER'S LICENSE NO. 485165

- F. WELL DESTRUCTION** — ODAZ Attached —  
 Send a map of work site. A separate permit is required for wells deeper than 45 feet.

**WELL PROJECTS**

Drill Hole Diameter	_____ in.	Maximum	
Casing Diameter	_____ in.	Depth	_____ ft
Surface Seal Depth	_____ ft.	Owner's Well Number	<u>MW-4</u>

**G. SPECIAL CONDITIONS**

NOTE: One application must be submitted for each well or well destruction. Multiple borings on one application are acceptable for geotechnical and contamination investigations.

**GEOTECHNICAL PROJECTS**

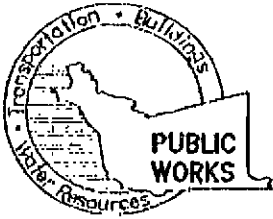
Number of Borings	_____	Maximum	
Hole Diameter	_____ in.	Depth	_____ ft.

STARTING DATE February 12, 2003  
 COMPLETION DATE February 13, 2003

APPROVED \_\_\_\_\_ DATE 2-3-03

I hereby agree to comply with all requirements of this permit and Alameda County Ordinance No. 73-68.

APPLICANT'S SIGNATURE Richard B. Lawhorn DATE 1/22/03  
 PLEASE PRINT NAME Richard B. Lawhorn Rev.9-18-02



# ALAMEDA COUNTY PUBLIC WORKS AGENCY

**WATER RESOURCES SECTION**  
 399 ELMHURST ST. HAYWARD CA. 94544-1395  
 PHONE (510) 670-6633 James Yoo  
 FAX (510) 782-1939

APPLICANTS: PLEASE ATTACH A SITE MAP FOR ALL DRILLING PERMIT APPLICATIONS  
 DESTRUCTION OF WELLS OVER 45 FEET REQUIRES A SEPARATE PERMIT APPLICATION

## DRILLING PERMIT APPLICATION

**FOR APPLICANT TO COMPLETE**

**FOR OFFICE USE**

LOCATION OF PROJECT United Parcel Service  
8400 Paradise Drive  
Oakland, CA  
St. 10 N 582  
MW-5

PERMIT NUMBER W03-0079  
 WELL NUMBER \_\_\_\_\_  
 APN \_\_\_\_\_

CLIENT Name United Parcel Service  
 Address 55 Glenholme Pkwy Phone 424-828-6766  
 City Atlanta Zip 30328

APPLICANT Name Blossard, Bisset & Lee Inc  
 Address 995 Lake Place Blvd Ste. 311 Phone 770-428-4200  
 City Roswell, GA Zip 30144

**TYPE OF PROJECT**

- |                     |                          |                            |                                     |
|---------------------|--------------------------|----------------------------|-------------------------------------|
| Well Construction   | <input type="checkbox"/> | Geotechnical Investigation | <input type="checkbox"/>            |
| Cathodic Protection | <input type="checkbox"/> | General                    | <input type="checkbox"/>            |
| Water Supply        | <input type="checkbox"/> | Contamination              | <input type="checkbox"/>            |
| Monitoring          | <input type="checkbox"/> | Well Destruction           | <input checked="" type="checkbox"/> |

**PROPOSED WATER SUPPLY WELL USE**

- |              |                          |                      |                          |
|--------------|--------------------------|----------------------|--------------------------|
| New Domestic | <input type="checkbox"/> | Replacement Domestic | <input type="checkbox"/> |
| Municipal    | <input type="checkbox"/> | Irrigation           | <input type="checkbox"/> |
| Industrial   | <input type="checkbox"/> | Other _____          | <input type="checkbox"/> |

**DRILLING METHOD:**

- |            |                          |            |                          |       |                          |
|------------|--------------------------|------------|--------------------------|-------|--------------------------|
| Mud Rotary | <input type="checkbox"/> | Air Rotary | <input type="checkbox"/> | Auger | <input type="checkbox"/> |
| Cable      | <input type="checkbox"/> | Other      | <input type="checkbox"/> |       |                          |

DRILLER'S NAME Gregg Drilling

DRILLER'S LICENSE NO. 495165

**WELL PROJECTS**

Drill Hole Diameter _____ in.	Maximum _____
Casing Diameter _____ in.	Depth _____ ft.
Surface Seal Depth _____ ft.	Owner's Well Number <u>MW-5</u>

**GEOTECHNICAL PROJECTS**

Number of Borings _____	Maximum _____
Hole Diameter _____ in.	Depth _____ ft.

STARTING DATE February 12, 2003

COMPLETION DATE February 13, 2003

**PERMIT CONDITIONS**  
 Circled Permit Requirements Apply

**A. GENERAL**

1. A permit application should be submitted so as to arrive at the ACPWA office five days prior to proposed starting date.
2. Submit to ACPWA within 60 days after completion of permitted original Department of Water Resources-Well Completion Report.
3. Permit is void if project not begun within 90 days of approval date.

**B. WATER SUPPLY WELLS**

1. Minimum surface seal thickness is two inches of cement grout placed by tremie.
2. Minimum seal depth is 50 feet for municipal and industrial wells or 20 feet for domestic and irrigation wells unless a lesser depth is specially approved.

**C. GROUNDWATER MONITORING WELLS INCLUDING PIEZOMETERS**

1. Minimum surface seal thickness is two inches of cement grout placed by tremie.
2. Minimum seal depth for monitoring wells is the maximum depth practicable or 20 feet.

**D. GEOTECHNICAL**

Backfill bore hole by tremie with cement grout or cement grout/sand mixture. Upper two-three feet replaced in kind or with compacted cuttings.

**E. CATHODIC**

Fill hole anode zone with concrete placed by tremie.

**F. WELL DESTRUCTION -- OD #1 Attached**

Send a map of work site. A separate permit is required for wells deeper than 45 feet.

**G. SPECIAL CONDITIONS**

NOTE: One application must be submitted for each well or well destruction. Multiple borings on one application are acceptable for geotechnical and contamination investigations.

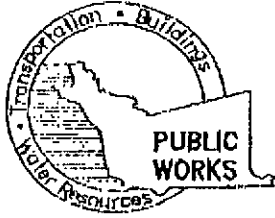
APPROVED \_\_\_\_\_

DATE 2-3-03

I hereby agree to comply with all requirements of this permit and Alameda County Ordinance No. 73-68.

APPLICANT'S SIGNATURE Richard B. Lathorn DATE 1/22/03

PLEASE PRINT NAME Richard B. Lathorn Rev. 9-18-02



# ALAMEDA COUNTY PUBLIC WORKS AGENCY

**WATER RESOURCES SECTION**  
 399 ELMHURST ST. HAYWARD CA. 94544-1395  
 PHONE (510) 670-6633 James Yoo  
 FAX (510) 782-1939

APPLICANTS: PLEASE ATTACH A SITE MAP FOR ALL DRILLING PERMIT APPLICATIONS  
 DESTRUCTION OF WELLS OVER 45 FEET REQUIRES A SEPARATE PERMIT APPLICATION

## DRILLING PERMIT APPLICATION

FOR APPLICANT TO COMPLETE

FOR OFFICE USE

LOCATION OF PROJECT United Parcel Service  
2400 Pardee Drive  
Oakland, CA  
54 19th St  
MW-6

PERMIT NUMBER W03-0080  
 WELL NUMBER \_\_\_\_\_  
 APN \_\_\_\_\_

**PERMIT CONDITIONS**

Circled Permit Requirements Apply

CLIENT Name United Parcel Service  
 Address 55 Glenlake Pkwy Phone 404-628-6766  
 City Atlanta Zip 30328

**A. GENERAL**

1. A permit application should be submitted so as to arrive at the ACPWA office five days prior to proposed starting date.
2. Submit to ACPWA within 60 days after completion of permitted original Department of Water Resources-Well Completion Report
3. Permit is void if project not begun within 90 days of approval date

APPLICANT Name Blasted Branch & Lee Inc  
 Address 975 Colb Place Blvd Ste 311 Phone 770-428-7009  
 City Kennesaw, GA Zip 30144

**B. WATER SUPPLY WELLS**

1. Minimum surface seal thickness is two inches of cement grout placed by tremie.
2. Minimum seal depth is 50 feet for municipal and industrial wells or 20 feet for domestic and irrigation wells unless a lesser depth is specially approved.

**TYPE OF PROJECT**

- |                     |                          |                            |                                     |
|---------------------|--------------------------|----------------------------|-------------------------------------|
| Well Construction   | <input type="checkbox"/> | Geotechnical Investigation | <input type="checkbox"/>            |
| Cathodic Protection | <input type="checkbox"/> | General                    | <input type="checkbox"/>            |
| Water Supply        | <input type="checkbox"/> | Contamination              | <input type="checkbox"/>            |
| Monitoring          | <input type="checkbox"/> | Well Destruction           | <input checked="" type="checkbox"/> |

**C. GROUNDWATER MONITORING WELLS INCLUDING PIEZOMETERS**

1. Minimum surface seal thickness is two inches of cement grout placed by tremie.
2. Minimum seal depth for monitoring wells is the maximum depth practicable or 20 feet.

**PROPOSED WATER SUPPLY WELL USE**

- |              |                          |                      |                          |
|--------------|--------------------------|----------------------|--------------------------|
| New Domestic | <input type="checkbox"/> | Replacement Domestic | <input type="checkbox"/> |
| Municipal    | <input type="checkbox"/> | Irrigation           | <input type="checkbox"/> |
| Industrial   | <input type="checkbox"/> | Other                | <input type="checkbox"/> |

**D. GEOTECHNICAL**

Backfill bore hole by tremie with cement grout or cement grout/sand mixture. Upper two-three feet replaced in kind or with compacted cuttings.

**DRILLING METHOD:**

- |            |                          |            |                          |       |                          |
|------------|--------------------------|------------|--------------------------|-------|--------------------------|
| Mud Rotary | <input type="checkbox"/> | Air Rotary | <input type="checkbox"/> | Auger | <input type="checkbox"/> |
| Cable      | <input type="checkbox"/> | Other      | <input type="checkbox"/> |       |                          |

**E. CATHODIC**

Fill hole anode zone with concrete placed by tremie.

DRILLER'S NAME Gregg Drilling

**F. WELL DESTRUCTION - ODNZ Attached.**

Send a map of work site. A separate permit is required for wells deeper than 45 feet.

DRILLER'S LICENSE NO. 485165

**G. SPECIAL CONDITIONS**

**WELL PROJECTS**

Drill Hole Diameter _____ in.	Maximum
Casing Diameter _____ in.	Depth _____ ft.
Surface Seal Depth _____ ft.	Owner's Well Number <u>MW-6</u>

NOTE: One application must be submitted for each well or well destruction. Multiple borings on one application are acceptable for geotechnical and contamination investigations.

**GEOTECHNICAL PROJECTS**

Number of Borings _____	Maximum
Hole Diameter _____ in.	Depth _____ ft.

STARTING DATE February 12, 2003

COMPLETION DATE February 13, 2003

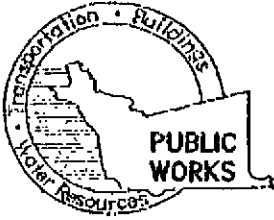
APPROVED \_\_\_\_\_

DATE 2-3-03

I hereby agree to comply with all requirements of this permit and Alameda County Ordinance No. 73-68.

APPLICANT'S SIGNATURE Richard B. Lauborn DATE 1/22/03

PLEASE PRINT NAME Richard B. Lauborn Rev.9-18-02



# ALAMEDA COUNTY PUBLIC WORKS AGENCY

**WATER RESOURCES SECTION**  
 399 ELMHURST ST, HAYWARD CA. 94544-1395  
 PHONE (510) 670-6633 James Yoo  
 FAX (510) 782-1939

APPLICANTS: PLEASE ATTACH A SITE MAP FOR ALL DRILLING PERMIT APPLICATIONS  
 DESTRUCTION OF WELLS OVER 45 FEET REQUIRES A SEPARATE PERMIT APPLICATION

## DRILLING PERMIT APPLICATION

**FOR APPLICANT TO COMPLETE**

LOCATION OF PROJECT United Parcel Service  
2400 Pardee Drive  
24th Land, CA  
St 10 # 583  
MW-7

CLIENT Name United Parcel Service  
 Address 55 Glenlake Pkwy Phone 404-828-6766  
 City Atlanta Zip 30328

APPLICANT Name Blastland Bunch & Lee Inc  
 Address 4755 Leeb Place Blvd Ste 311 Phone 770-428-4444  
 City Kennesaw, GA Zip 30144

**TYPE OF PROJECT**

Well Construction	<input type="checkbox"/>	Geotechnical Investigation	<input type="checkbox"/>
Cathodic Protection	<input type="checkbox"/>	General	<input type="checkbox"/>
Water Supply	<input type="checkbox"/>	Contamination	<input type="checkbox"/>
Monitoring	<input type="checkbox"/>	Well Destruction	<input checked="" type="checkbox"/>

**PROPOSED WATER SUPPLY WELL USE**

New Domestic	<input type="checkbox"/>	Replacement Domestic	<input type="checkbox"/>
Municipal	<input type="checkbox"/>	Irrigation	<input type="checkbox"/>
Industrial	<input type="checkbox"/>	Other	<input type="checkbox"/>

**DRILLING METHOD:**

Mud Rotary  Air Rotary  Auger   
 Cable  Other

DRILLER'S NAME Gregg Drilling

DRILLER'S LICENSE NO. 4185165

**WELL PROJECTS**

Drill Hole Diameter \_\_\_\_\_ in. Maximum  
 Casing Diameter \_\_\_\_\_ in. Depth \_\_\_\_\_ ft  
 Surface Seal Depth \_\_\_\_\_ ft. Owner's Well Number MW-7

**GEOTECHNICAL PROJECTS**

Number of Borings \_\_\_\_\_ Maximum  
 Hole Diameter \_\_\_\_\_ in. Depth \_\_\_\_\_ ft.

STARTING DATE February 12, 2003

COMPLETION DATE February 13, 2003

**FOR OFFICE USE**

PERMIT NUMBER W03-0081  
 WELL NUMBER \_\_\_\_\_  
 APN \_\_\_\_\_

**PERMIT CONDITIONS**

Circled Permit Requirements Apply

**A. GENERAL**

1. A permit application should be submitted so as to arrive at the ACPWA office five days prior to proposed starting date.
2. Submit to ACPWA within 60 days after completion of permitted original Department of Water Resources-Well Completion Report.
3. Permit is void if project not begun within 90 days of approval date.

**B. WATER SUPPLY WELLS**

1. Minimum surface seal thickness is two inches of cement grout placed by tremie.
2. Minimum seal depth is 50 feet for municipal and industrial wells or 20 feet for domestic and irrigation wells unless a lesser depth is specially approved.

**C. GROUNDWATER MONITORING WELLS INCLUDING PIEZOMETERS**

1. Minimum surface seal thickness is two inches of cement grout placed by tremie.
2. Minimum seal depth for monitoring wells is the maximum depth practicable or 20 feet.

**D. GEOTECHNICAL**

Backfill bore hole by tremie with cement grout or cement grout/sand mixture. Upper two-three feet replaced in kind or with compacted cuttings.

**E. CATHODIC**

Fill hole anode zone with concrete placed by tremie.

- F. WELL DESTRUCTION - OP #7 Attached -**  
 Send a map of work site. A separate permit is required for wells deeper than 45 feet.

**G. SPECIAL CONDITIONS**

NOTE: One application must be submitted for each well or well destruction. Multiple borings on one application are acceptable for geotechnical and contamination investigations.

APPROVED \_\_\_\_\_

DATE 2-3-03

I hereby agree to comply with all requirements of this permit and Alameda County Ordinance No. 73-68.

APPLICANT'S SIGNATURE Richard B. Lanthorn DATE 1/22/03

PLEASE PRINT NAME Richard B. Lanthorn Rev.9-18-02

R0315

*Transmitted Via UPS Next Day Air*

May 27, 2003

Mr. Amir K. Gholami, REHS  
Hazardous Materials Specialist  
Alameda County Health Care Services  
Department of Environmental Health  
1131 Harbor Bay Parkway  
Alameda, California 94502-6577

Re: Site Update Report  
UPS – Oakland Hub  
8400 Pardee Drive  
Oakland, California  
State ID # 583  
BBL Project #: 36768.03

Dear Mr. Gholami:

On behalf of United Parcel Service (UPS), Blasland, Bouck & Lee, Inc. (BBL) is pleased to provide this site update report detailing the current status of the UPS – Oakland Hub; also provided as an attachment is the form that you e-mailed to us. This report summarizes the recent activities that have been conducted at the site. A brief discussion is provided detailing the some of the past investigation results and remedial objectives for this site. Under a separate cover you should have received the following: 1) Free Product Recovery Letter Report, 2) Monitoring Well Abandonment Report (Gas UST area), and 3) Groundwater Sampling Reports (September 2002/March 2003).

**Recently Conducted Activities**

The following is a summary of some of the recent activities conducted at the site. As stated above, detailed descriptions of the each of the activities have been provided previously under separate cover.

- A site groundwater semi-annual gauging and sampling events were conducted in September 2002 and March 2003. Reports summarizing the results of these events were submitted in May 2003. As discussed in the groundwater gauging and sampling reports, the groundwater flow direction continues to be consistently to the southwest at the site. It appears that dissolved phase concentrations of gasoline related hydrocarbons have all but disappeared in the four site monitoring wells. Concentrations of diesel related hydrocarbons are still present but remain relatively stable.



- Monitoring well destruction activities were conducted for the monitoring wells located at the northern fueling station. This activity was conducted in February 2003. A summary letter detailing these activities was recently submitted.
- Free product recovery activities were summarized in a letter report that was also recently submitted. As summarized in the free product recovery report, monitoring wells MW-2 and OW-1 (Figure 1) continue to show minimal thickness of free product during recent monthly gauging events. Free product gauging and recovery activities will continue at the site until product is not detected for six months continuously.

It is proposed at this time to continue monthly free product gauging and recovery and continue with semi-annual groundwater sampling. If free product is not detected for six months continuously a sampling event will be conducted, and a request for closure will be made at that time.

If you have any questions regarding this report, please do not hesitate to contact me at (770) 428-9009 extension 11. Please direct all correspondence to Linda Lyons with UPS at the address listed below and copy BBL.

Sincerely,

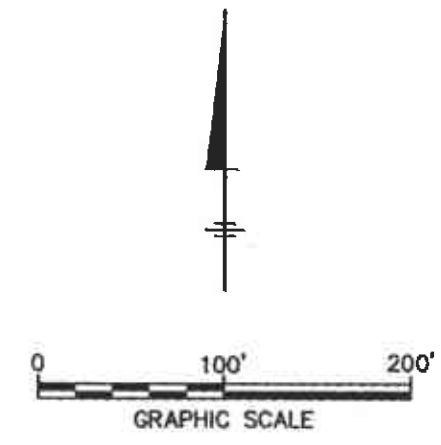
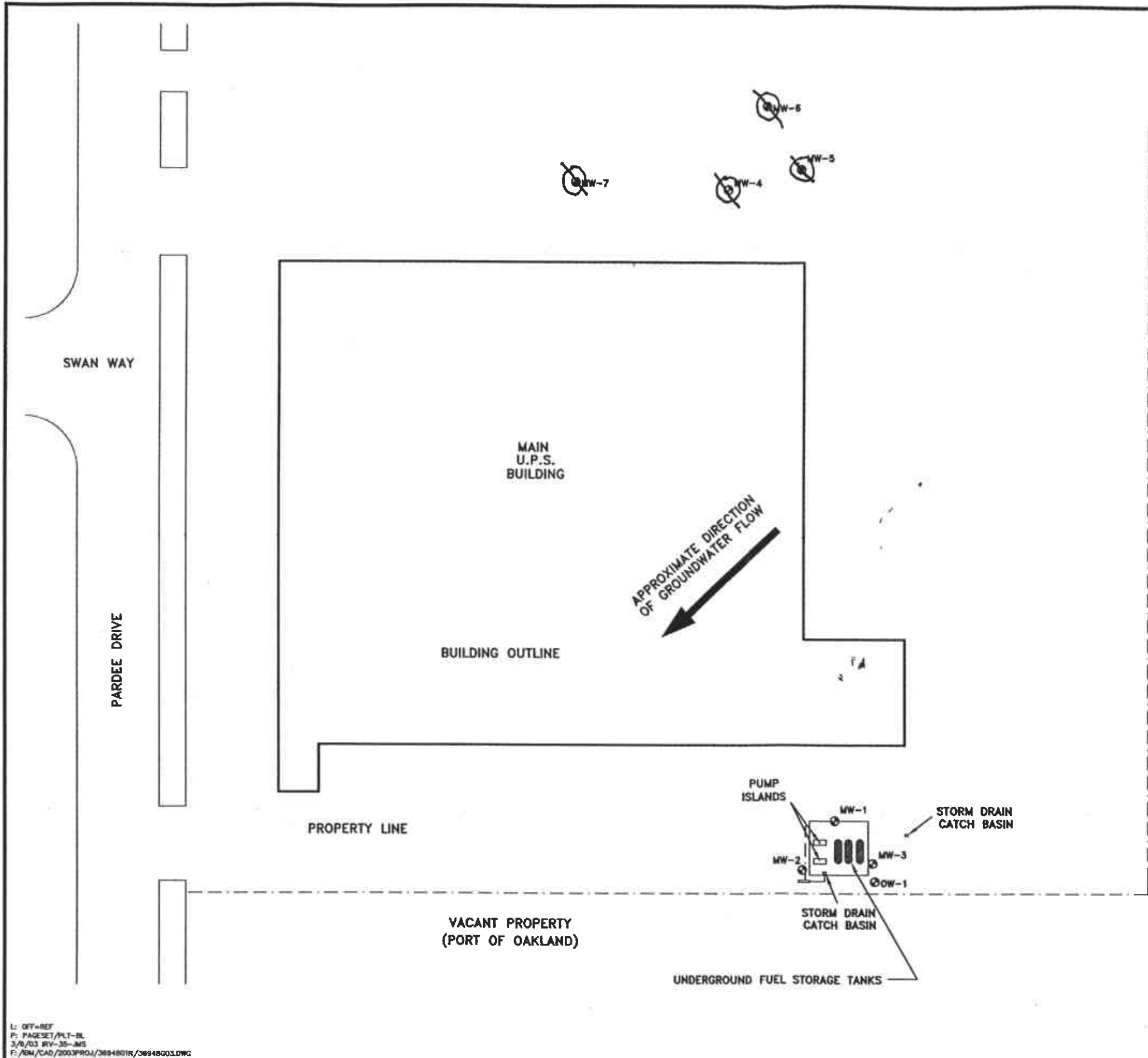
BLASLAND, BOUCK & LEE, INC.



Hugh B. Devery  
Senior Geologist

MRS/hbd

cc: Linda Lyons, UPS, 55 Glenlake Parkway, NE, Atlanta, Georgia 30328  
File



- LEGEND:**
- MW-3 EXISTING GROUNDWATER MONITORING WELLS INSTALLED BY GERAGHTY & MILLER
  - BUILDING OUTLINE
  - ABANDONED WELL

UNITED PARCEL SERVICE, INC.  
8400 PARDEE DRIVE  
OAKLAND, CALIFORNIA

**MONITORING WELL LOCATION MAP**



FIGURE  
**1**

L: OFF-REF  
P: PAGESET/PLT-BL  
3/9/03 RY-35-JMS  
F:/BM/CAD/2003PROJ/3694801R/3694803.DWG

***Attachment***

---

**Chemical Concentration Table**

ALAMEDA COUNTY  
**HEALTH CARE SERVICES**  
 AGENCY  
 DAVID J. KEARS, Agency Director



ENVIRONMENTAL HEALTH SERVICES  
 ENVIRONMENTAL PROTECTION  
 1131 Harbor Bay Parkway  
 Alameda, CA 94502-6577  
 (510) 567-6700 Fax (510) 337-9335

RE:Unocal, 8400 Pardee drive, Oakland

Dear Madam or Sir:

Please be advised that I have been recently assigned to oversee the above referenced site. Therefore, all documents, reports, and correspondences should be addressed to my attention. In fact, I have received numerous other "new cases", which I need to get familiar with and proceed forward as soon as practicable. In order to keep continuity and to reduce confusion, I will try to follow up on the work/guidelines previously requested by my colleague of this office.

However, to expedite this so called "familiarization" process, please fill out and submit to me the attached table as soon as possible. Please fill out the attached table with the latest information regarding the chemical concentrations. If you have any questions, please call me at (510)-567-6876. Thank you very much for your cooperation.

Sincerely,

Amir K. Gholami, REHS  
 Hazardous Materials Specialist

Depth to groundwater	Approximately 3 to 7 feet bls
Groundwater flow gradient and speed	Southwest, 0.0278 gradient
Benzene (ppb)	0.7 µg/L
Toluene (ppb)	<2.5 µg/L
Ethylbenzene (ppb)	<2.5 µg/L
Xylene (ppb)	0.5 µg/L
MTBE (ppb)	<2.5 µg/L
TPHg (ppb)	17,000 µg/L
TPHd (ppb)	67,000 µg/L
Solvents if any (ppb)	N/A
Heavy Metals if any	N/A
Well Screen levels ( for each monitoring well)	MW-1 3-15 feet MW-2 3-15 feet MW-3 3-15 feet OW-1 Not Available/Unknown
Date information collected for concentrations	September 2002
Plume Stability: increasing or decreasing or stable?	Stable
Any "Active Remediation" occurring presently or past?	Manual bailing, product at a minimal thickness
Other Pertinent Information regarding this site( use space below if needed)	

Please fill out one form for each site indicated above and email me back, thanks

May 27, 2003

Mr. Amir K. Gholami, REHS  
Hazardous Materials Specialist  
Alameda County Health Care Services  
Department of Environmental Health  
1131 Harbor Bay Parkway  
Alameda, California 94502-6577

**RE: Free Product Recovery Update Report  
UPS - Oakland Hub, 8400 Pardee Drive, Oakland, California  
State ID # 583**

Dear Mr. Gholami:

On behalf of United Parcel Service (UPS), Blasland, Bouck & Lee, Inc. (BBL) is pleased to present this report detailing free product recovery activities at the above-referenced facility. This report summarizes data collected during free product recovery efforts from monitoring wells MW-2 and OW-1.

#### **FREE PRODUCT RECOVERY**

Free product gauging and recovery activities have been ongoing since September 2002. Free product is measured with an electronic interface probe and collected (recovered) using disposable bailers. To date the largest apparent thickness of free product has been 0.14 feet measured on September 27, 2002, in OW-1. To date, approximately <0.1 gallon of free product and contact-water has been recovered. Table 1 summarizes historical groundwater elevation data for the facility. Figure 1 is a site monitoring well configuration map.

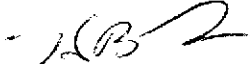
#### **PLANNED FUTURE ACTIVITIES**

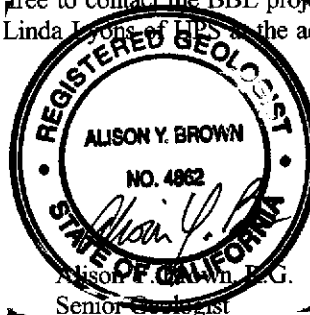
Free product gauging and recovery activities will continue at the facility until product is not detected for six months continuously. At that time a sampling event will be conducted, and a request for closure will be made.

If you have any questions concerning this report, please feel free to contact the BBL project manager Hugh Devery at (770) 428-9009 ext. 11. Please direct all correspondence to Linda Lyons of UPS at the address listed below and copy BBL.

Sincerely,

BLASLAND, BOUCK & LEE, INC.

  
Hugh B. Devery  
Senior Geologist



WCB/wcb

cc: Linda Lyons, UPS, 55 Glenlake Parkway, NE, Atlanta, Georgia 30328  
File

**TABLE 1**

**HISTORICAL GROUNDWATER ELEVATION SUMMARY**

**UPS-OAKLAND HUB  
8400 PARDEE DRIVE  
OAKLAND, CALIFORNIA  
STATE ID # 583**

<b>Monitoring Well</b>	<b>Reference Elevation</b>	<b>Date Sampled</b>	<b>Depth to Groundwater (ft)</b>	<b>Groundwater Elevation (ft)</b>	<b>Change in Measurement (mg/L)</b>	<b>Product Thickness</b>
MW-1	7.43	8/28/1990	3.80	3.63	--	Sheen
		9/20/1990	3.99	3.44	-0.19	None
		6/19/1991	3.47	3.96	0.52	NM
		7/23/1991	3.70	3.73	-0.23	NM
		8/26/1991	3.92	3.51	-0.22	NM
		11/18/1991	4.21	3.22	-0.29	NM
		2/3/1992	3.99	3.44	0.22	NM
		6/29/1992	3.38	4.05	0.61	NM
		6/23/1993	2.72	4.71	0.66	NM
		10/11/1993	3.87	3.56	-1.15	NM
		1/4/1994	3.34	4.09	0.53	NM
		5/10/1994	2.14	5.29	1.20	NM
		2/1/1995	1.84	5.59	0.30	NM
		8/2/1995	3.10	4.33	-1.26	NM
		10/16/1995	3.75	3.68	-0.65	NM
		12/28/1995	3.56	3.87	0.19	NM
		6/4/1997	3.16	4.27	0.40	None
		6/3/1998	NM	N/A	N/A	Sheen
		9/30/1999	3.75	3.68	N/A	Light Sheen
		10/11/2000	3.88	3.55	-0.13	Light Sheen
9/3/2002	3.73	3.70	0.15	None		
12/23/2002	3.51	3.92	0.22	None		
3/28/2003	3.52	3.91	-0.01	None		

Notes:

1. Reference elevation surveyed relative to mean sea level by Geraghty and Miller (Geraghty and Miller, Inc., 1990)
2. Depth to groundwater measured from notch/mark on north edge of well casing
3. Sources: Geraghty and Miller, 1996; BBL
4. NM = Not measured; NC = Not calculated; N/A= Not Available

TABLE 1

HISTORICAL GROUNDWATER ELEVATION SUMMARY

UPS-OAKLAND HUB  
 8400 PARDEE DRIVE  
 OAKLAND, CALIFORNIA  
 STATE ID # 583

Monitoring Well	Reference Elevation	Date Sampled	Depth to Groundwater (ft)	Groundwater Elevation (ft)	Change in Measurement (mg/L)	Product Thickness
MW-1	7.43	8/28/1990	3.80	3.63	--	Sheen
		9/20/1990	3.99	3.44	-0.19	None
		6/19/1991	3.47	3.96	0.52	NM
		7/23/1991	3.70	3.73	-0.23	NM
		8/26/1991	3.92	3.51	-0.22	NM
		11/18/1991	4.21	3.22	-0.29	NM
		2/3/1992	3.99	3.44	0.22	NM
		6/29/1992	3.38	4.05	0.61	NM
		6/23/1993	2.72	4.71	0.66	NM
		10/11/1993	3.87	3.56	-1.15	NM
		1/4/1994	3.34	4.09	0.53	NM
		5/10/1994	2.14	5.29	1.20	NM
		2/1/1995	1.84	5.59	0.30	NM
		8/2/1995	3.10	4.33	-1.26	NM
		10/16/1995	3.75	3.68	-0.65	NM
		12/28/1995	3.56	3.87	0.19	NM
		6/4/1997	3.16	4.27	0.40	None
		6/3/1998	NM	N/A	N/A	Sheen
		9/30/1999	3.75	3.68	N/A	Light Sheen
		10/11/2000	3.88	3.55	-0.13	Light Sheen
9/3/2002	3.73	3.70	0.15	None		
12/23/2002	3.51	3.92	0.22	None		
3/28/2003	3.52	3.91	-0.01	None		

Notes:

1. Reference elevation surveyed relative to mean sea level by Geraghty and Miller (Geraghty and Miller, Inc., 1990)
2. Depth to groundwater measured from notch/mark on north edge of well casing
3. Sources: Geraghty and Miller, 1996; BBL
4. NM = Not measured; NC = Not calculated; N/A = Not Available

TABLE 1

HISTORICAL GROUNDWATER ELEVATION SUMMARY

UPS-OAKLAND HUB  
 8400 PARDEE DRIVE  
 OAKLAND, CALIFORNIA  
 STATE ID # 583

Monitoring Well	Reference Elevation	Date Sampled	Depth to Groundwater (ft)	Groundwater Elevation (ft)	Change in Measurement (mg/L)	Product Thickness
MW-2	7.15	8/28/1990	4.98	2.17	--	Sheen
		9/20/1990	4.94	2.21	0.04	N/A
		6/19/1991	4.66	2.49	0.28	N/A
		7/23/1991	4.81	2.34	-0.15	N/A
		8/26/1991	4.89	2.26	-0.08	N/A
		11/18/1991	4.93	2.22	-0.04	N/A
		2/3/1992	4.44	2.71	0.49	N/A
		6/29/1992	4.80	2.35	-0.36	N/A
		6/23/1993	4.38	2.77	0.42	N/A
		10/11/1993	5.20	1.95	-0.82	N/A
		1/4/1994	4.56	2.59	0.64	N/A
		5/10/1994	4.20	2.95	0.36	N/A
		2/1/1995	4.00	3.15	0.20	N/A
		8/2/1995	4.71	2.44	-0.71	N/A
		10/16/1995	5.02	2.13	-0.31	N/A
		12/28/1995	4.56	2.59	0.46	N/A
		6/12/1996	NM	N/A	N/A	0.25
		6/4/1997	6.02	1.13	-1.46	Small globules
		9/30/1999	4.95	2.20	1.07	Light sheen
		10/11/2000	4.97	2.18	-0.02	0.08
		9/3/2002	5.02	2.13	-0.05	0.07
		9/27/2002	4.89	2.26	0.13	0.09
		12/23/2002	4.25	2.90	-0.70	0.04
2/12/2003	4.26	2.89	-0.01	0.01		
3/28/2003	4.35	2.80	-0.09	0.01		

Notes:

1. Reference elevation surveyed relative to mean sea level by Geraghty and Miller (Geraghty and Miller, Inc., 1990)
2. Depth to groundwater measured from notch/mark on north edge of well casing
3. Sources: Geraghty and Miller, 1996; BBL
4. NM = Not measured; NC = Not calculated; N/A= Not Available



TABLE 1

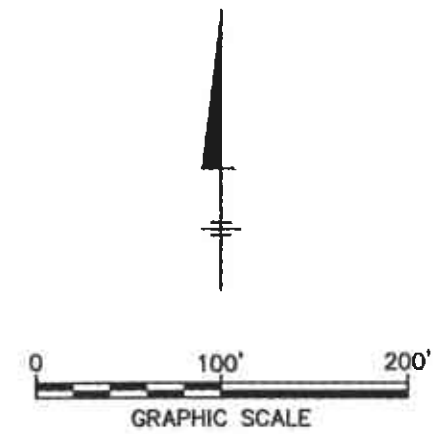
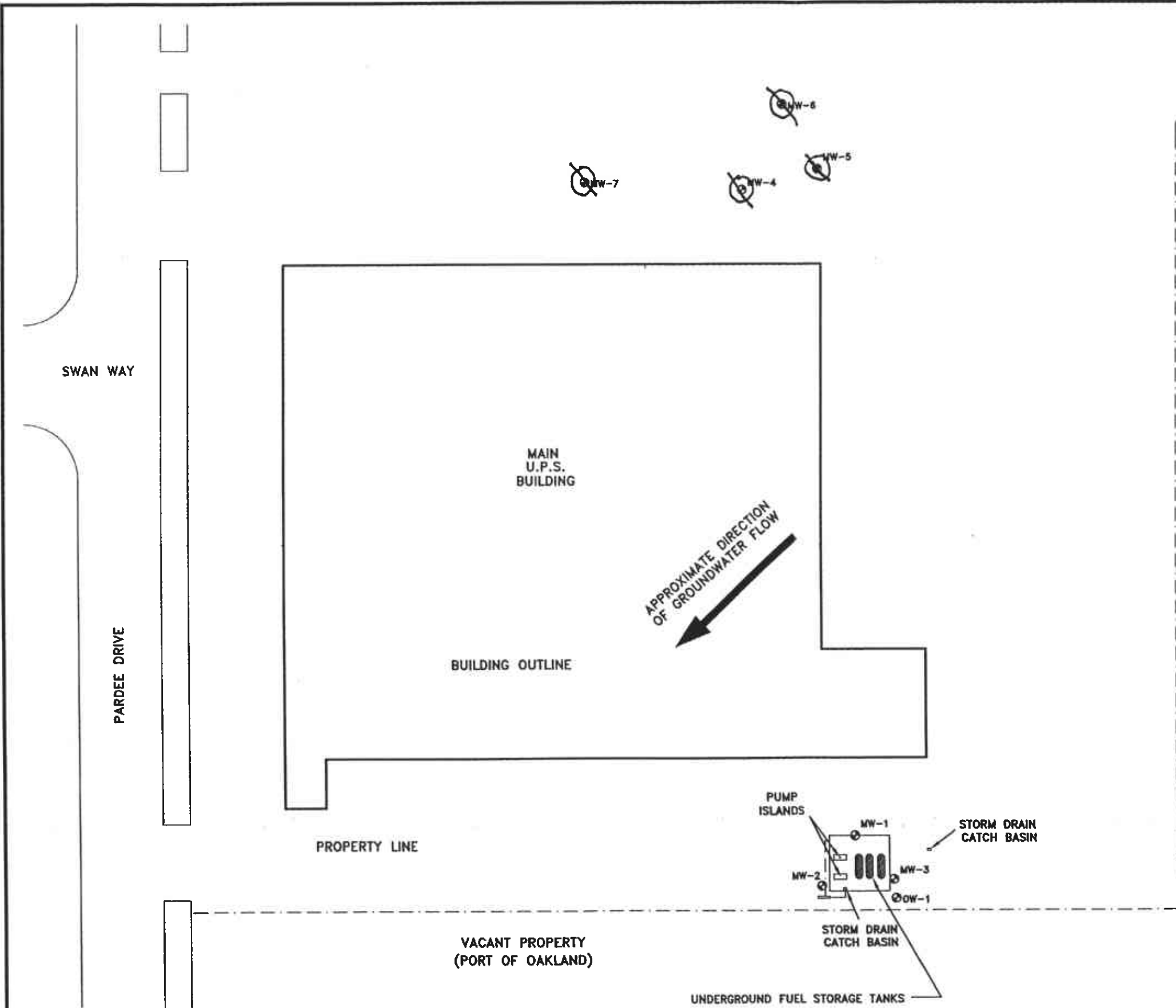
HISTORICAL GROUNDWATER ELEVATION SUMMARY

UPS-OAKLAND HUB  
8400 PARDEE DRIVE  
OAKLAND, CALIFORNIA  
STATE ID # 583

Monitoring Well	Reference Elevation	Date Sampled	Depth to Groundwater (ft)	Groundwater Elevation (ft)	Change in Measurement (mg/L)	Product Thickness	
MW-3	7.42	8/28/1990	3.88	3.54	--	Sheen	
		9/20/1990	3.99	3.43	-0.11	N/A	
		6/19/1991	3.49	3.93	0.50	N/A	
		7/23/1991	3.71	3.71	-0.22	N/A	
		8/26/1991	3.94	3.48	-0.23	N/A	
		11/18/1991	4.23	3.19	-0.29	N/A	
		2/3/1992	4.01	3.41	0.22	N/A	
		6/29/1992	3.40	4.02	0.61	N/A	
		6/23/1993	2.75	4.67	0.65	N/A	
		10/11/1993	3.84	3.58	-1.09	N/A	
		1/4/1994	3.40	4.02	0.44	N/A	
		5/10/1994	2.25	5.17	1.15	N/A	
		2/1/1995	2.43	4.99	-0.18	N/A	
		8/2/1995	3.20	4.22	-0.77	N/A	
		10/16/1995	3.72	3.70	-0.52	N/A	
		12/28/1995	3.56	3.86	0.16	N/A	
		6/4/1997	3.20	4.22	0.36	None	
		6/3/1998	NM	N/A	N/A	N/A	Sheen
		9/30/1999	3.72	3.70	-0.54	Light sheen	
		10/11/2000	3.88	3.54	-0.16	Light Sheen	
9/3/2002	3.75	3.67	0.03	None			
12/23/2003	3.50	3.92	-0.38	None			
3/28/2003	3.56	3.86	-0.06	None			
OW-1	N/A	6/4/1997	7.22	NC	---	Trace	
		9/30/1999	8.35	NC	---	0.01	
		10/11/2000	6.90	NC	---	0.09	
		10/22/2002	7.34	NC	---	0.01	
		9/27/2002	7.02	NC	---	0.14	
		12/23/2002	5.17	NC	---	0.03	
		1/16/2003	4.97	NC	---	0.01	
		2/12/2003	5.23	NC	---	0.01	
3/28/2003	5.16	NC	---	0.01			

Notes:

1. Reference elevation surveyed relative to mean sea level by Geraghty and Miller (Geraghty and Miller, Inc., 1990)
2. Depth to groundwater measured from notch/mark on north edge of well casing
3. Sources: Geraghty and Miller, 1996; BBL
4. NM = Not measured; NC = Not calculated; N/A= Not Available



**LEGEND:**

- MW-3 ● EXISTING GROUNDWATER MONITORING WELLS INSTALLED BY GERAGHTY & MILLER
- BUILDING OUTLINE
- ⊘ ABANDONED WELL

UNITED PARCEL SERVICE, INC. 8400 PARDEE DRIVE OAKLAND, CALIFORNIA	
<b>MONITORING WELL LOCATION MAP</b>	
 <small>BASLAND, BOSCK &amp; LET, INC. engineers &amp; scientists</small>	FIGURE <b>1</b>

L: DTF-REF  
 P: PAGESET/PLT-BL  
 3/6/03 REV-35-AHS  
 F: REM/CAD/2003PROJ/3694801R/36948003.DWG