



Dave Patten
Project Manager
Marketing Business Unit

**Chevron Environmental
Management Company**
6111 Bollinger Canyon Road
San Ramon, CA 94583
Tel (925) 543-1740
Fax (925) 543-2324
drpatten@chevron.com

Alameda County Health Care Services
1131 Harbor Bay Parkway, Suite 250
Alameda, CA 94502-6577

Re: Chevron Service Station No. 9-0329
340 Highland Avenue
Piedmont, CA

RECEIVED

3:30 pm, Dec 05, 2011

Alameda County
Environmental Health

I have reviewed the attached report dated December 2, 2011.

I agree with the conclusions and recommendations presented in the referenced report. The information in this report is accurate to the best of my knowledge and all local Agency/Regional Board guidelines have been followed. This report was prepared by Conestoga-Rovers & Associates, upon whose assistance and advice I have relied.

This letter is submitted pursuant to the requirements of California Water Code Section 13267(b)(1) and the regulating implementation entitled Appendix A pertaining thereto.

I declare under penalty of perjury that the foregoing is true and correct to the best of my knowledge.

Sincerely,

Dave Patten
Project Manager

Attachment: Report



**CONESTOGA-ROVERS
& ASSOCIATES**

5900 Hollis Street, Suite A
Emeryville, California 94608
Telephone: (510) 420-0700 Fax: (510) 420-9170
<http://www.craworld.com>

December 2, 2011

Reference No. 311776

Mr. Mark Detterman
Alameda County Environmental Health Services
1131 Harbor Bay Parkway, Suite 250
Alameda, California 94502-6577

Re: Second Semi-Annual 2011
Groundwater Monitoring and Sampling Report
Former Chevron Service Station 9-0329
340 Highland Avenue
Piedmont, California
Fuel Leak Case No. RO0000269

Dear Mr. Mark Detterman:

Conestoga-Rovers & Associates (CRA) is submitting this *Second Semi-Annual 2011 Groundwater Monitoring and Sampling Report* for the site referenced above (Figure 1) on behalf of Chevron Environmental Management Company. Groundwater monitoring and sampling was performed by Blaine Tech Services (Blaine Tech) of San Jose, California. Blaine Tech's September 29, 2011 *First Quarter 2011 Monitoring* report is included as Attachment A. Current and historical groundwater monitoring and sampling data are presented in Table 1. Lancaster Laboratories' October 11, 2011 *Analytical Results* is included as Attachment B.

Equal
Employment Opportunity
Employer



**CONESTOGA-ROVERS
& ASSOCIATES**

December 2, 2011

Reference No. 311776

- 2 -

Please contact Nathan Lee at (510) 420-3333 if you have any questions or require additional information.

Sincerely,

CONESTOGA-ROVERS & ASSOCIATES

Nathan Lee, PG 8486



NL/aa/7
Encl.

Figure 1	Vicinity Map
Figure 2	Groundwater Elevation and Hydrocarbon Concentration Map
Table 1	Groundwater Monitoring and Sampling Data
Attachment A	Monitoring Data Package
Attachment B	Laboratory Analytical Report

cc: Mr. Dave Patten, Chevron (*electronic copy*)
Mr. Chuck Headlee, RWQCB - San Francisco Bay Region
Mr. Chester Nakahara, City of Piedmont
Bains Tarvinder Trust

FIGURES

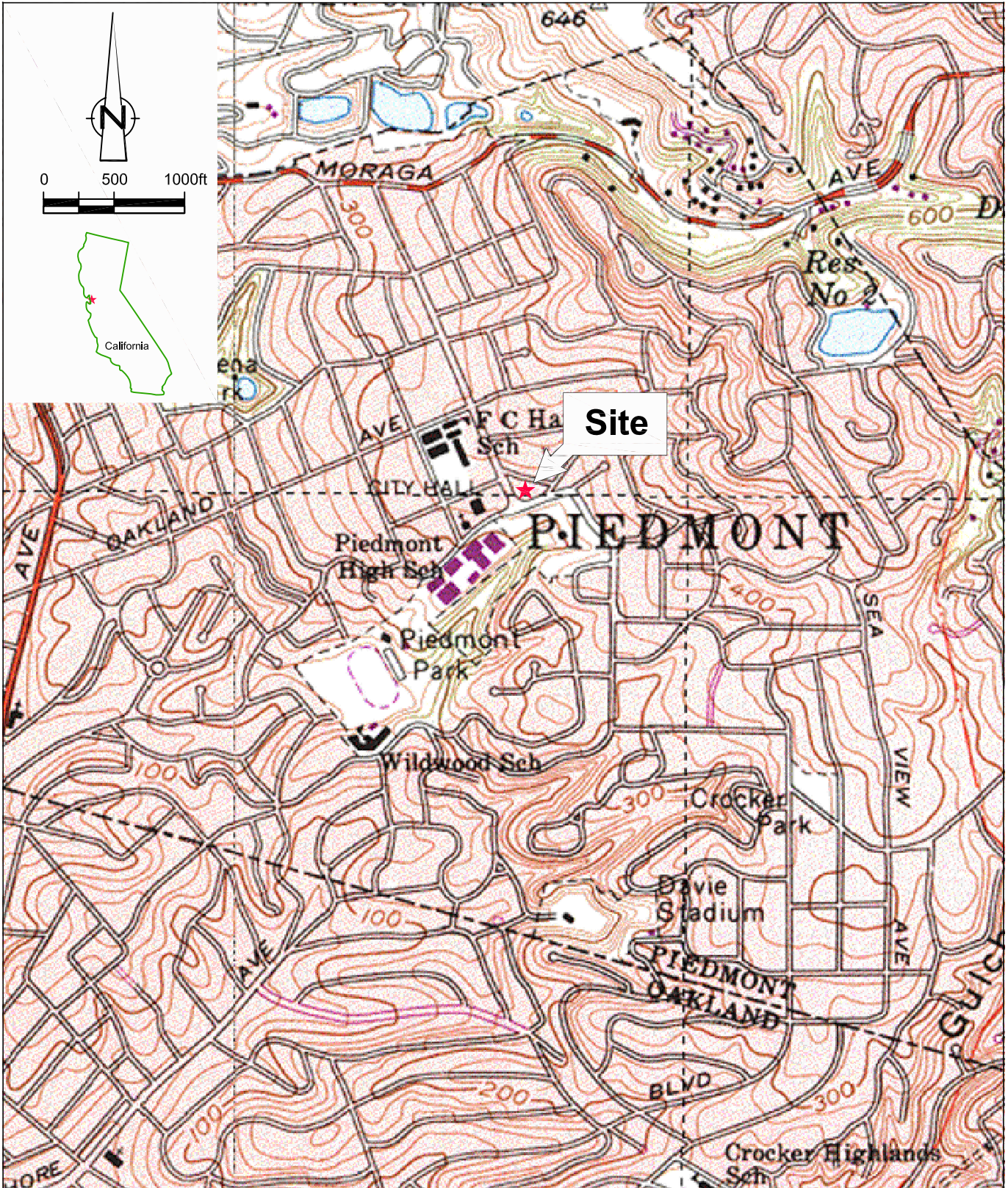
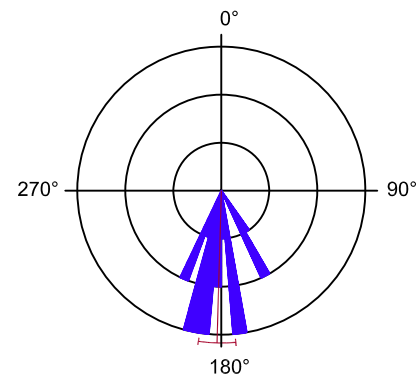
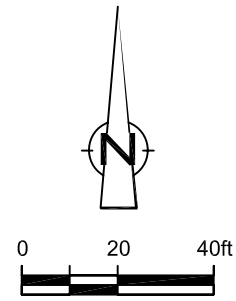


Figure 1
 VICINITY MAP
 FORMER CHEVRON STATION 9-0329
 340 HIGHLAND AVENUE
 Piedmont, California





HISTORIC GROUNDWATER FLOW DIRECTION 4Q-2000 THROUGH 3Q-2011

EXPLANATION

- GETTLER-RYAN MONITORING WELLS (1983)
- PEG MONITORING WELLS (1996)
- ⊙ TANK BACKFILL WELL
- ⊙ RESNA (1994) ABANDONED WELL
- 340.0 — GROUNDWATER ELEVATION CONTOUR, IN FEET ABOVE MEAN SEA LEVEL (MSL), DASHED WHERE INFERRED
- GROUNDWATER FLOW DIRECTION AND GRADIENT (ft/ft)
- WELL**
- ELEV GROUNDWATER ELEVATION (MSL)
- TPHD TPHD CONCENTRATION (μg/L)
- TPHG TPHG CONCENTRATION (μg/L)
- BENZ BENZENE CONCENTRATION (μg/L)
- MTBE MTBE CONCENTRATION (μg/L)
- NM NOT MEASURED
- NS NOT SAMPLED
- J ESTIMATED VALUE BETWEEN METHOD DETECTION LIMIT AND LABORATORY REPORTING LIMIT

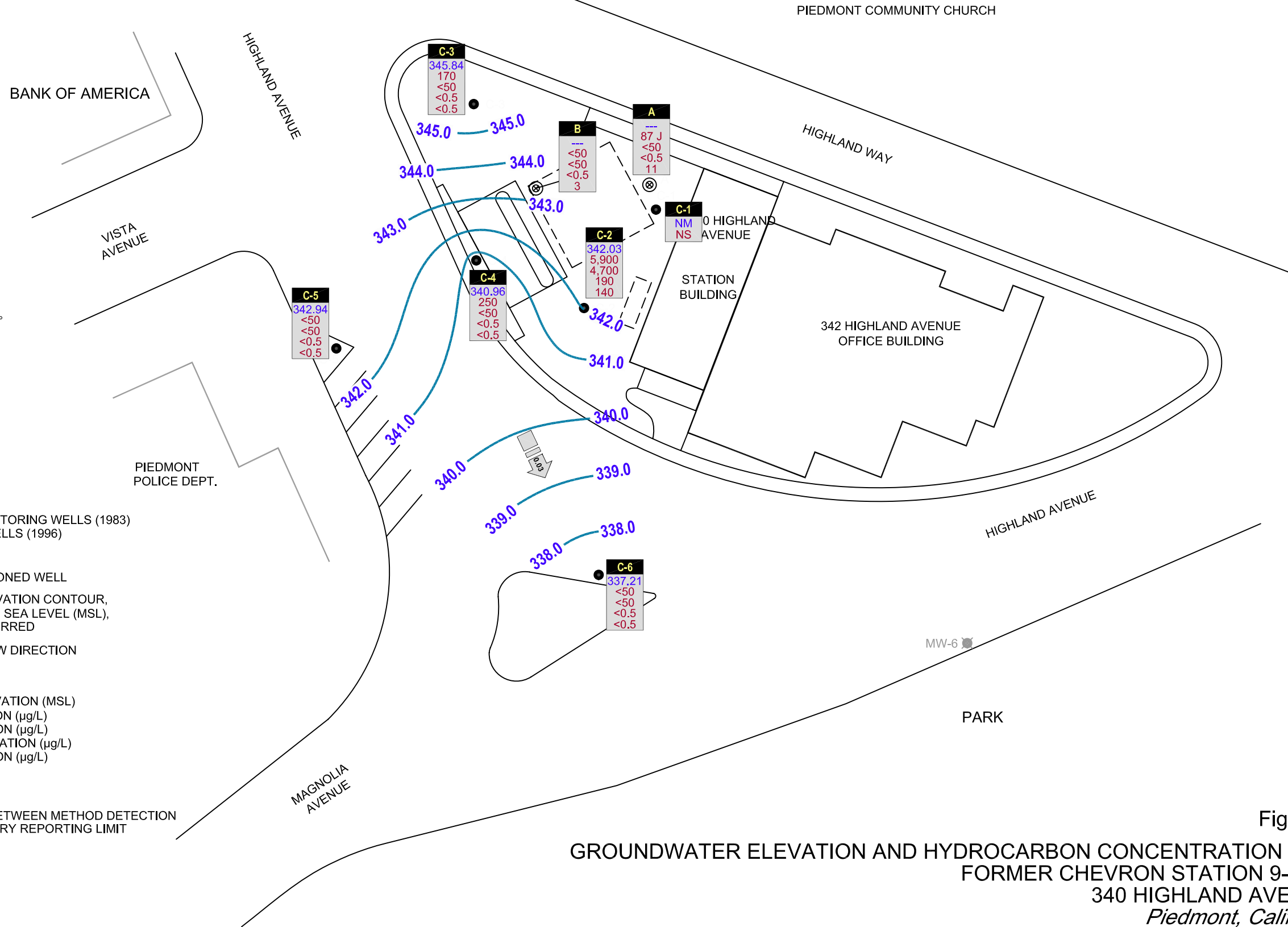


Figure 2
 GROUNDWATER ELEVATION AND HYDROCARBON CONCENTRATION MAP
 FORMER CHEVRON STATION 9-0329
 340 HIGHLAND AVENUE
 Piedmont, California
 September 28, 2011



BASEMAP MODIFIED FROM PACIFIC ENVIRONMENTAL GROUP, INC.

TABLE

TABLE 1

GROUNDWATER MONITORING AND SAMPLING DATA
 FORMER CHEVRON SERVICE STATION 9-0329
 340 HIGHLANDS AVENUE
 PIEDMONT, CALIFORNIA

Location	Date	TOC	DTW	GWE	HYDROCARBONS		PRIMARY VOCS					ADDITIONAL VOCS							
					TPH-DRO	TPH-GRO	B	T	E	X	MTBE	ETHANOL	TBA	DIPE	ETBE	TAME	1,2-DCA	EDB	
		Units	ft	ft	ft-amsl	µg/L	µg/L	µg/L	µg/L	µg/L	µg/L	µg/L	µg/L	µg/L	µg/L	µg/L	µg/L	µg/L	µg/L
BackfillWell A	08/07/1989	-	2.10	-	-	-	1,000	50	6.0	5.0	22	-	-	-	-	-	-	-	-
BackfillWell A	11/15/1989	-	2.04	-	-	-	3,700	98	2.1	4.3	55	-	-	-	-	-	-	-	-
BackfillWell A	02/01/1991	-	3.05	-	-	-	36,000	1,100	750	130	6,100	-	-	-	-	-	-	-	-
BackfillWell A	04/16/1991	-	2.01	-	-	-	8,000	370	6.0	86	750	-	-	-	-	-	-	-	-
BackfillWell A	10/16/1991	-	4.15	-	-	-	-	-	-	-	-	-	-	-	-	-	-	-	-
BackfillWell A	03/22/2007 ⁸	-	0.75	-	-	-	<50	<0.5	<0.5	<0.5	<0.5	27	-	39	<0.5	<0.5	<0.5	<0.5	<0.5
BackfillWell A	09/25/2009 ⁸	-	1.33	-	-	-	<50	<0.5	<0.5	<0.5	<0.5	16	-	<2	<0.5	<0.5	<0.5	-	-
BackfillWell A	02/25/2010	-	0.64	-	-	-	<50	<0.5	<0.5	<0.5	<0.5	8	-	-	-	-	-	-	-
BackfillWell A	09/02/2010 ¹⁰	-	1.28	-	-	-	<50	<0.5	<0.5	<0.5	<0.5	11	-	-	-	-	-	-	-
BackfillWell A	03/25/2011 ¹⁰	-	0.81	-	-	-	<50	<0.5	<0.5	<0.5	<0.5	10	-	-	-	-	-	-	-
BackfillWell A	05/04/2011	-	1.02	-	-	635	-	-	-	-	-	-	-	-	-	-	-	-	-
BackfillWell A	09/28/2011¹⁰	-	1.58	-	-	87 J	<50	<0.5	<0.5	<0.5	<0.5	11	-	-	-	-	-	-	-
BackfillWell B	08/07/1989	-	4.12	-	-	-	-	-	-	-	-	-	-	-	-	-	-	-	-
BackfillWell B	02/01/1991	-	5.03	-	-	-	-	-	-	-	-	-	-	-	-	-	-	-	-
BackfillWell B	04/16/1991	-	4.00	-	-	-	-	-	-	-	-	-	-	-	-	-	-	-	-
BackfillWell B	10/16/1991	-	6.24	-	-	-	-	-	-	-	-	-	-	-	-	-	-	-	-
BackfillWell B	03/22/2007 ⁸	-	3.08	-	-	-	<50	<0.5	<0.5	<0.5	<0.5	16	-	11	<0.5	<0.5	<0.5	<0.5	<0.5
BackfillWell B	09/25/2009 ⁸	-	3.60	-	-	-	<50	<0.5	<0.5	<0.5	<0.5	5	-	<2	<0.5	<0.5	<0.5	-	-
BackfillWell B	02/25/2010	-	3.00	-	-	-	<50	<0.5	<0.5	<0.5	<0.5	3	-	-	-	-	-	-	-
BackfillWell B	09/02/2010 ¹⁰	-	3.56	-	-	-	<50	<0.5	<0.5	<0.5	<0.5	5	-	-	-	-	-	-	-
BackfillWell B	03/25/2011 ¹⁰	-	3.00	-	-	<50	-	-	-	-	-	-	-	-	-	-	-	-	-
BackfillWell B	09/28/2011¹⁰	-	3.78	-	-	<50	<50	<0.5	<0.5	<0.5	0.5 J	3	-	-	-	-	-	-	-
C-2	08/07/1989	94.19	2.88	91.31	-	-	34,000	580	60	170	270	-	-	-	-	-	-	-	-
C-2	11/15/1989	94.19	2.80	91.39	-	-	8,100	500	36	420	180	-	-	-	-	-	-	-	-
C-2	02/01/1991	94.19	3.75	90.44	-	-	6,800	490	21	310	86	-	-	-	-	-	-	-	-
C-2	04/16/1991	94.19	2.55	91.64	-	-	9,600	810	43	550	270	-	-	-	-	-	-	-	-
C-2	10/16/1991	94.19	3.52	90.67	-	-	7,100	320	23	200	60	-	-	-	-	-	-	-	-
C-2	01/08/1992	94.19	4.15	90.04	-	-	2,400	190	9.0	83	22	-	-	-	-	-	-	-	-
C-2	04/10/1992	94.19	2.96	91.23	-	-	6,600	550	33	340	170	-	-	-	-	-	-	-	-
C-2	07/14/1992	94.19	2.83	91.36	-	-	9,000	680	330	580	690	-	-	-	-	-	-	-	-
C-2	10/05/1992	94.19	4.38	89.81	-	-	5,500	250	17	130	82	-	-	-	-	-	-	-	-

TABLE 1

GROUNDWATER MONITORING AND SAMPLING DATA
 FORMER CHEVRON SERVICE STATION 9-0329
 340 HIGHLANDS AVENUE
 PIEDMONT, CALIFORNIA

Location	Date	TOC	DTW	GWE	HYDROCARBONS		PRIMARY VOCS					ADDITIONAL VOCS						
					TPH-DRO	TPH-GRO	B	T	E	X	MTBE	ETHANOL	TBA	DIPE	ETBE	TAME	1,2-DCA	EDB
	Units	ft	ft	ft-amsl	µg/L	µg/L	µg/L	µg/L	µg/L	µg/L	µg/L	µg/L	µg/L	µg/L	µg/L	µg/L	µg/L	µg/L
C-2	01/06/1993	94.19	3.94	90.25	-	5,500	190	32	41	54	-	-	-	-	-	-	-	-
C-2	03/29/1993	94.19	2.09	92.10	-	19,000	670	40	180	370	-	-	-	-	-	-	-	-
C-2	07/02/1993	94.19	2.09	92.10	-	8,000	1,100	41	420	500	-	-	-	-	-	-	-	-
C-2	10/11/1993	94.19	2.76	91.43	-	42,000	940	34	140	87	-	-	-	-	-	-	-	-
C-2	01/10/1994	94.19	4.82	89.37	-	12,000	770	20	220	74	-	-	-	-	-	-	-	-
C-2	04/06/1994	94.19	2.49	91.70	-	40,000	820	33	190	110	-	-	-	-	-	-	-	-
C-2	07/06/1994	94.19	2.47	91.72	-	8,800	870	28	140	95	-	-	-	-	-	-	-	-
C-2	11/11/1994	94.19	2.87	91.32	-	8,600	460	81	180	120	-	-	-	-	-	-	-	-
C-2	01/06/1995	94.19	2.55	91.64	-	15,000	880	48	270	140	-	-	-	-	-	-	-	-
C-2	04/13/1995	94.19	2.06	92.13	-	56,000	2,500	130	730	360	-	-	-	-	-	-	-	-
C-2	07/25/1995	94.19	2.14	92.05	-	11,000	1,000	34	540	160	-	-	-	-	-	-	-	-
C-2	10/05/1995	94.19	2.51	91.68	-	13,000	1,000	<20	160	170	-	-	-	-	-	-	-	-
C-2	01/02/1996	94.19	2.22	91.97	-	9,500	1,300	<50	380	87	64,000	-	-	-	-	-	-	-
C-2	04/11/1996	94.19	1.92	92.27	-	<10,000	1,300	<100	<100	<100	74,000	-	-	-	-	-	-	-
C-2	07/08/1996	94.19	2.05	92.14	-	<20,000	1,200	<200	<200	<200	110,000	-	-	-	-	-	-	-
C-2	10/03/1996	94.19	2.29	91.90	-	<25,000	1,200	<250	<250	<250	140,000	-	-	-	-	-	-	-
C-2	01/23/1997	343.39	1.90	341.49	-	20,000	1,100	<200	460	<200	110,000	-	-	-	-	-	-	-
C-2	02/14/1997	343.39	1.97	341.42	-	-	-	-	-	-	150,000 ¹	-	-	-	-	-	-	-
C-2	04/08/1997	343.39	2.27	341.12	-	<50,000	1,100	<500	<500	<500	160,000	-	-	-	-	-	-	-
C-2	07/09/1997	343.39	1.98	341.41	-	<50,000	1,300	<500	<500	<500	210,000	-	-	-	-	-	-	-
C-2	10/08/1997	343.39	2.30	341.09	-	18,000	1,400	<50	300	95	160,000	-	-	-	-	-	-	-
C-2	01/22/1998	343.39	1.68	341.71	-	10,000	860	10	140	37	70,000	-	-	-	-	-	-	-
C-2	04/15/1998	343.39	1.20	342.19	-	<10,000	1,400	<100	510	<100	46,000	-	-	-	-	-	-	-
C-2	07/09/1998	343.39	1.47	341.92	-	33,000	1,700	<50	650	<50	120,000	-	-	-	-	-	-	-
C-2	10/02/1998	343.39	2.13	341.26	-	11,000	920	11	130	76	100,000	-	-	-	-	-	-	-
C-2	01/18/1999	343.39	1.84	341.55	-	<25,000	1,770	<250	<250	<250	48,400/78,300 ¹	-	-	-	-	-	-	-
C-2	04/19/1999	343.39	1.17	342.22	-	9,900	1,110	26.6	455	82	33,300	-	-	-	-	-	-	-
C-2	09/28/1999	343.39	2.81	340.58	-	11,500	1,100	<50	93.9	53.1	26,200	-	-	-	-	-	-	-
C-2	10/27/1999	343.39	2.98	340.41	-	9,440	711	<20	74.9	42.4	17,500	-	-	-	-	-	-	-
C-2	01/17/2000	343.39	2.35	341.04	-	12,200	813	<50	133	<50	21,200	-	-	-	-	-	-	-
C-2	04/11/2000	343.39	1.31	342.08	-	210 ⁴	26	<0.50	3.7	1.1	580	-	-	-	-	-	-	-
C-2	07/12/2000	343.39	1.79	341.60	-	18,100 ⁵	1,350	480	800	1,240	19,200	-	-	-	-	-	-	-
C-2	10/07/2000	343.39	1.70	341.69	-	8,860 ⁵	1,070	<20.0	406	90.5	20,000	-	-	-	-	-	-	-

TABLE 1

GROUNDWATER MONITORING AND SAMPLING DATA
 FORMER CHEVRON SERVICE STATION 9-0329
 340 HIGHLANDS AVENUE
 PIEDMONT, CALIFORNIA

Location	Date	TOC	DTW	GWE	HYDROCARBONS		PRIMARY VOCS					ADDITIONAL VOCS						
					TPH-DRO	TPH-GRO	B	T	E	X	MTBE	ETHANOL	TBA	DIPE	ETBE	TAME	1,2-DCA	EDB
	Units	ft	ft	ft-amsl	µg/L	µg/L	µg/L	µg/L	µg/L	µg/L	µg/L	µg/L	µg/L	µg/L	µg/L	µg/L	µg/L	µg/L
C-2	01/05/2001	343.39	1.57	341.82	-	14,000 ⁴	2,000	55	560	120	17,000	-	-	-	-	-	-	-
C-2	04/05/2001	343.39	1.37	342.02	-	4,900 ⁴	330	38	120	32	1,200	-	-	-	-	-	-	-
C-2	08/20/2001	343.39	2.52	340.87	-	7,300	1,100	42	290	55	7,200	-	-	-	-	-	-	-
C-2	11/26/2001	343.39	1.35	342.04	-	9,500	650	13	66	44	3,100	-	-	-	-	-	-	-
C-2	02/25/2002	343.39	0.82	342.57	-	5,300	340	6.9	83	22	1,200/1,400 ⁷	<500	210	<2	2	97	<2	<2
C-2	05/17/2002	343.39	1.85	341.54	-	6,300	160	5.1	45	14	5,100	-	-	-	-	-	-	-
C-2	08/13/2002	343.39	1.95	341.44	-	8,800	670	16	380	73	3,700	-	-	-	-	-	-	-
C-2	11/23/2002	343.39	1.62	341.77	-	9,400	490	11	250	47	1,900	-	-	-	-	-	-	-
C-2	02/17/2003	343.39	0.65	342.74	-	7,000	340	9.9	160	35	4,200/3,800 ⁷	-	890	<1	6	110	<1	<1
C-2	05/19/2003 ^s	343.39	0.92	342.47	-	2,500	390	8	90	26	6,000	-	-	-	-	-	-	-
C-2	08/18/2003 ^s	343.39	1.05	342.34	-	6,400	300	7	62	23	3,500	<250	-	-	-	-	-	-
C-2	11/17/2003 ^s	343.39	1.08	342.31	-	5,900	290	6	13	25	2,200	<200	-	-	-	-	-	-
C-2	05/03/2006 ^s	343.39	0.32	343.07	2,400	6,100	400	9	110	27	690	-	-	-	-	-	-	-
C-2	03/22/2007 ^s	343.39	0.92	342.47	-	6,700	260	6	52	23	380	-	16	<0.5	<0.5	35	<0.5	<0.5
C-2	09/25/2009 ^s	343.39	1.41	341.98	-	9,100	320	8	68	41	65	-	4 J	<1	<1	7	-	-
C-2	02/25/2010	343.39	0.51	342.88	-	5,600	79	3	15	17	150	-	-	-	-	-	-	-
C-2	09/02/2010	343.39	1.28	342.11	-	9,300	300	10	66	39	140	-	-	-	-	-	-	-
C-2	03/25/2011	343.39	0.24	343.15	-	2,800	22	1 J	8	3	68	-	-	-	-	-	-	-
C-2	05/04/2011	343.34	1.00	342.34	5,000	-	-	-	-	-	-	-	-	-	-	-	-	-
C-2	09/28/2011	343.39	1.36	342.03	5,900	4,700	190	6	44	17	140	-	-	-	-	-	-	-
C-3	08/07/1989	97.65	4.29	93.36	-	<50	<0.5	<1.0	<1.0	<3.0	-	-	-	-	-	-	-	-
C-3	11/15/1989	97.65	5.17	92.48	-	<500	<0.5	2.8	<0.5	1.1	-	-	-	-	-	-	-	-
C-3	02/01/1991	97.65	6.38	91.27	-	<50	<0.5	<0.5	<0.5	<0.5	-	-	-	-	-	-	-	-
C-3	04/16/1991	97.65	3.72	93.93	-	<50	<0.5	<0.5	<0.5	<0.5	-	-	-	-	-	-	-	-
C-3	10/16/1991	97.65	8.20	89.45	-	<50	<0.5	<0.5	<0.5	<0.5	-	-	-	-	-	-	-	-
C-3	01/08/1992	97.65	6.68	90.97	-	<50	<0.5	<0.5	<0.5	<0.5	-	-	-	-	-	-	-	-
C-3	04/10/1992	97.65	4.50	93.15	-	<50	<0.5	<0.5	<0.5	<0.5	-	-	-	-	-	-	-	-
C-3	07/14/1992	97.65	6.21	91.44	-	<50	<0.5	<0.5	<0.5	<0.5	-	-	-	-	-	-	-	-
C-3	10/05/1992	97.65	9.31	88.34	-	<50	<0.5	<0.5	<0.5	<0.5	-	-	-	-	-	-	-	-
C-3	01/06/1993	97.65	3.41	94.24	-	<50	<0.5	<0.5	<0.5	<0.5	-	-	-	-	-	-	-	-
C-3	03/29/1993	97.65	0.50	97.15	-	<50	<0.5	<0.5	<0.5	0.8	-	-	-	-	-	-	-	-
C-3	07/02/1993	97.65	2.59	95.06	-	<50	4.0	3.0	<0.5	3.0	-	-	-	-	-	-	-	-

TABLE 1

GROUNDWATER MONITORING AND SAMPLING DATA
 FORMER CHEVRON SERVICE STATION 9-0329
 340 HIGHLANDS AVENUE
 PIEDMONT, CALIFORNIA

Location	Date	TOC	DTW	GWE	HYDROCARBONS		PRIMARY VOCS					ADDITIONAL VOCS						
					TPH-DRO	TPH-GRO	B	T	E	X	MTBE	ETHANOL	TBA	DIPE	ETBE	TAME	1,2-DCA	EDB
	Units	ft	ft	ft-amsl	µg/L	µg/L	µg/L	µg/L	µg/L	µg/L	µg/L	µg/L	µg/L	µg/L	µg/L	µg/L	µg/L	µg/L
C-3	10/11/1993	97.65	4.90	92.75	-	<50	<0.5	<0.5	<0.5	<0.5	-	-	-	-	-	-	-	-
C-3	01/10/1994	97.65	4.39	93.26	-	<50	<0.5	1.0	<0.5	0.8	-	-	-	-	-	-	-	-
C-3	04/06/1994	97.65	2.68	94.97	-	<50	<0.5	1.0	0.7	4.5	-	-	-	-	-	-	-	-
C-3	07/06/1994	97.65	2.10	95.55	-	<50	2.2	4.1	<0.5	2.8	-	-	-	-	-	-	-	-
C-3	11/11/1994	97.65	1.23	96.42	-	<50	<0.5	0.8	<0.5	<0.5	-	-	-	-	-	-	-	-
C-3	01/06/1995	97.65	0.60	97.05	-	<50	<0.5	<0.5	<0.5	<0.5	-	-	-	-	-	-	-	-
C-3	04/13/1995	97.65	0.60	97.05	-	<50	<0.5	<0.5	<0.5	<0.5	-	-	-	-	-	-	-	-
C-3	07/25/1995	97.65	1.65	96.00	-	<50	<0.5	<0.5	<0.5	<0.5	-	-	-	-	-	-	-	-
C-3	10/05/1995	97.65	3.63	94.02	-	<50	<0.5	<0.5	<0.5	<0.5	-	-	-	-	-	-	-	-
C-3	01/02/1996	97.65	3.12	94.53	-	<50	<0.5	<0.5	<0.5	<0.5	<2.5	-	-	-	-	-	-	-
C-3	04/11/1996	97.65	0.82	96.83	-	<50	<0.5	<0.5	<0.5	<0.5	<2.5	-	-	-	-	-	-	-
C-3	07/08/1996	97.65	1.50	96.15	-	<50	<0.5	<0.5	<0.5	<0.5	<2.5	-	-	-	-	-	-	-
C-3	10/03/1996	97.65	2.48	95.17	-	<50	<0.5	<0.5	<0.5	<0.5	<2.5	-	-	-	-	-	-	-
C-3	01/23/1997	347.08	0.21	346.87	-	<50	<0.5	<0.5	<0.5	<0.5	3.2	-	-	-	-	-	-	-
C-3	04/08/1997	347.08	0.75	346.33	-	<50	<0.5	<0.5	<0.5	<0.5	<2.5	-	-	-	-	-	-	-
C-3	07/09/1997	347.08	1.47	345.61	-	<50	<0.5	<0.5	<0.5	<0.5	<2.5	-	-	-	-	-	-	-
C-3	10/08/1997	347.08	2.04	345.04	-	<50	<0.5	<0.5	<0.5	<0.5	<2.5	-	-	-	-	-	-	-
C-3	01/22/1998 ¹¹	347.08	-	-	-	<50	<0.5	<0.5	<0.5	<0.5	40	-	-	-	-	-	-	-
C-3	04/15/1998 ¹¹	347.08	-	-	-	<50	<0.5	<0.5	<0.5	<0.5	<2.5	-	-	-	-	-	-	-
C-3	05/13/1998 ²	347.20	-	-	-	-	-	-	-	-	-	-	-	-	-	-	-	-
C-3	07/09/1998	347.20	0.47	346.73	-	<50	<0.5	<0.5	<0.5	<0.5	<2.5	-	-	-	-	-	-	-
C-3	10/02/1998	347.20	0.98	346.22	-	<50	<0.5	<0.5	<0.5	<1.5	<2.5	-	-	-	-	-	-	-
C-3	01/18/1999	347.20	0.77	346.43	-	<50	<0.5	<0.5	<0.5	<1.5	<2.0	-	-	-	-	-	-	-
C-3	04/19/1999	347.20	0.53	346.67	-	<50	<0.5	<0.5	<0.5	<0.5	<5.0	-	-	-	-	-	-	-
C-3	07/19/1999	347.20	0.81	346.39	-	<50	<0.5	<0.5	<0.5	<0.5	<5.0	-	-	-	-	-	-	-
C-3	10/27/1999	347.20	1.47	345.73	-	<50	<0.5	<0.5	<0.5	<0.5	<2.5	-	-	-	-	-	-	-
C-3	01/17/2000	347.20	0.94	346.26	-	<50	<0.5	<0.5	<0.5	<0.5	<2.5	-	-	-	-	-	-	-
C-3	04/11/2000	347.20	0.30	346.90	-	<50	<0.50	<0.50	<0.50	<0.50	<2.5	-	-	-	-	-	-	-
C-3	07/12/2000	347.20	0.42	346.78	-	<50.0	<0.500	<0.500	<0.500	<0.500	<2.50	-	-	-	-	-	-	-
C-3	10/07/2000	347.20	1.01	346.19	-	<50.0	<0.500	<0.500	<0.500	<0.500	<2.50	-	-	-	-	-	-	-
C-3	01/05/2001	347.20	1.38	345.82	-	<50	<0.50	<0.50	<0.50	<0.50	<2.5	-	-	-	-	-	-	-
C-3	04/05/2001	347.20	0.35	346.85	-	<50	<0.50	<0.50	<0.50	<0.50	<2.5	-	-	-	-	-	-	-
C-3	08/20/2001	347.20	0.80	346.40	-	<50	<0.50	<0.50	<0.50	<0.50	<2.5	-	-	-	-	-	-	-

TABLE 1

GROUNDWATER MONITORING AND SAMPLING DATA
 FORMER CHEVRON SERVICE STATION 9-0329
 340 HIGHLANDS AVENUE
 PIEDMONT, CALIFORNIA

Location	Date	TOC	DTW	GWE	HYDROCARBONS		PRIMARY VOCS					ADDITIONAL VOCS							
					TPH-DRO	TPH-GRO	B	T	E	X	MTBE	ETHANOL	TBA	DIPE	ETBE	TAME	1,2-DCA	EDB	
	Units	ft	ft	ft-amsl	µg/L	µg/L	µg/L	µg/L	µg/L	µg/L	µg/L	µg/L	µg/L	µg/L	µg/L	µg/L	µg/L	µg/L	µg/L
C-3	11/26/2001	347.20	0.36	346.84	-	<50	<0.50	<0.50	<0.50	<1.5	<2.5	-	-	-	-	-	-	-	-
C-3	02/25/2002	347.20	0.36	346.84	-	<50	<0.50	<0.50	<0.50	<1.5	<2.5/<2 ⁷	<500	<100	<2	<2	<2	<2	<2	<2
C-3	05/17/2002	347.20	0.45	346.75	-	<50	<0.50	<0.50	<0.50	<1.5	<2.5	-	-	-	-	-	-	-	-
C-3	08/13/2002	347.20	1.11	346.09	-	<50	<0.50	<0.50	<0.50	<1.5	<2.5	-	-	-	-	-	-	-	-
C-3	11/23/2002	347.20	1.49	345.71	-	<50	<0.50	<0.50	<0.50	<1.5	<2.5	-	-	-	-	-	-	-	-
C-3	02/17/2003	347.20	0.51	346.69	-	<50	<0.50	<0.50	<0.50	<1.5	<2.5/<0.5 ⁷	-	<5	<0.5	<0.5	<0.5	<0.5	<0.5	<0.5
C-3	05/19/2003 ⁸	347.20	0.30	346.90	-	<50	<0.5	<0.5	<0.5	<0.5	<0.5	-	-	-	-	-	-	-	-
C-3	08/18/2003 ⁸	347.20	0.35	346.85	-	<50	<0.5	<0.5	<0.5	<0.5	<0.5	<50	-	-	-	-	-	-	-
C-3	11/17/2003 ⁸	347.20	0.28	346.92	-	<50	<0.5	<0.5	<0.5	<0.5	<0.5	<50	-	-	-	-	-	-	-
C-3	05/03/2006 ⁸	347.20	0.21	346.99	240	<50	<0.5	<0.5	<0.5	<0.5	<0.5	-	-	-	-	-	-	-	-
C-3	03/22/2007 ⁸	347.20	0.22	346.98	-	<50	<0.5	<0.5	<0.5	<0.5	<0.5	-	<2	<0.5	<0.5	<0.5	<0.5	<0.5	<0.5
C-3	09/25/2009 ⁸	347.20	1.85	345.35	-	<50	<0.5	<0.5	<0.5	<0.5	<0.5	-	<2	<0.5	<0.5	<0.5	<0.5	<0.5	<0.5
C-3	02/25/2010	347.20	0.30	346.90	-	<50	<0.5	<0.5	<0.5	<0.5	<0.5	-	-	-	-	-	-	-	-
C-3	09/02/2010	347.20	1.36	345.84	-	<50	<0.5	<0.5	<0.5	<0.5	<0.5	-	-	-	-	-	-	-	-
C-3	03/25/2011	347.20	0.32	346.88	-	<50	<0.5	<0.5	<0.5	<0.5	<0.5	-	-	-	-	-	-	-	-
C-3	05/04/2011	347.20	037	346.43	150	-	-	-	-	-	-	-	-	-	-	-	-	-	-
C-3	09/28/2011	347.20	1.36	345.84	170	<50	<0.5	<0.5	<0.5	<0.5	<0.5	-	-	-	-	-	-	-	-
C-4	08/07/1989 ¹²	95.60	-	-	-	-	-	-	-	-	-	-	-	-	-	-	-	-	-
C-4	11/15/1989	95.60	4.95	90.65	-	1,300	2.9	310	0.5	2.9	-	-	-	-	-	-	-	-	-
C-4	02/01/1991	95.60	4.78	90.82	-	72	<0.5	9.0	<0.5	<0.5	-	-	-	-	-	-	-	-	-
C-4	04/16/1991	95.60	4.83	90.77	-	<50	<0.5	<0.5	<0.5	<0.5	-	-	-	-	-	-	-	-	-
C-4	10/16/1991	95.60	4.23	91.37	-	<50	<0.5	<0.5	<0.5	<0.5	-	-	-	-	-	-	-	-	-
C-4	01/08/1992	95.60	4.81	90.79	-	<50	<0.5	<0.5	<0.5	<0.5	-	-	-	-	-	-	-	-	-
C-4	04/10/1992	95.60	4.26	91.34	-	<50	<0.5	<0.5	<0.5	<0.5	-	-	-	-	-	-	-	-	-
C-4	07/14/1992	95.60	4.28	91.32	-	<50	<0.5	3.8	<0.5	<0.5	-	-	-	-	-	-	-	-	-
C-4	10/05/1992	95.60	4.29	91.31	-	<50	<0.5	<0.5	<0.5	<0.5	-	-	-	-	-	-	-	-	-
C-4	01/06/1993	95.60	4.29	91.31	-	<50	0.7	<0.5	<0.5	<0.5	-	-	-	-	-	-	-	-	-
C-4	03/29/1993	95.60	4.30	91.30	-	<50	0.5	1.0	<0.5	2.0	-	-	-	-	-	-	-	-	-
C-4	07/02/1993	95.60	4.22	91.38	-	<50	<0.5	<0.5	<0.5	<0.5	-	-	-	-	-	-	-	-	-
C-4	10/11/1993	95.60	4.30	91.30	-	<50	0.6	<0.5	<0.5	<0.5	-	-	-	-	-	-	-	-	-
C-4	01/10/1994	95.60	4.44	91.16	-	<50	0.7	3.0	<0.5	1.0	-	-	-	-	-	-	-	-	-
C-4	04/06/1994	95.60	4.24	91.36	-	130	2.2	5.4	3.3	24	-	-	-	-	-	-	-	-	-

TABLE 1

GROUNDWATER MONITORING AND SAMPLING DATA
 FORMER CHEVRON SERVICE STATION 9-0329
 340 HIGHLANDS AVENUE
 PIEDMONT, CALIFORNIA

Location	Date	TOC	DTW	GWE	HYDROCARBONS		PRIMARY VOCS					ADDITIONAL VOCS						
					TPH-DRO	TPH-GRO	B	T	E	X	MTBE	ETHANOL	TBA	DIPE	ETBE	TAME	1,2-DCA	EDB
	Units	ft	ft	ft-amsl	µg/L	µg/L	µg/L	µg/L	µg/L	µg/L	µg/L	µg/L	µg/L	µg/L	µg/L	µg/L	µg/L	µg/L
C-4	07/06/1994	95.60	4.24	91.36	-	99	5.9	7.5	2.0	12	-	-	-	-	-	-	-	-
C-4	11/11/1994	95.60	4.21	91.39	-	<50	<0.5	9.5	<0.5	<0.5	-	-	-	-	-	-	-	-
C-4	01/06/1995	95.60	4.42	91.18	-	<50	0.7	1.0	<0.5	1.1	-	-	-	-	-	-	-	-
C-4	04/13/1995	95.60	4.24	91.36	-	67	0.54	7.2	<0.5	1.1	-	-	-	-	-	-	-	-
C-4	07/25/1995	95.60	4.24	91.36	-	390	<2.0	150	<2.0	<2.0	-	-	-	-	-	-	-	-
C-4	10/05/1995	95.60	4.38	91.22	-	130	<0.5	66	<0.5	<0.5	-	-	-	-	-	-	-	-
C-4	01/02/1996	95.60	4.26	91.34	-	<50	<0.5	<0.5	<0.5	<0.5	34	-	-	-	-	-	-	-
C-4	04/11/1996	95.60	4.39	91.21	-	<50	<0.5	0.93	<0.5	<0.5	56	-	-	-	-	-	-	-
C-4	07/08/1996	95.60	4.28	91.32	-	<50	<0.5	<0.5	<0.5	<0.5	21	-	-	-	-	-	-	-
C-4	10/03/1996	95.60	4.22	91.38	-	80	<0.5	31	<0.5	<0.5	9.9	-	-	-	-	-	-	-
C-4	01/23/1997	344.94	4.39	340.55	-	<50	<0.5	<0.5	<0.5	<0.5	23	-	-	-	-	-	-	-
C-4	04/08/1997	344.94	4.25	340.69	-	87	<0.5	3.6	<0.5	1.7	7.0	-	-	-	-	-	-	-
C-4	07/09/1997	344.94	4.21	340.73	-	93	<0.5	32	<0.5	<0.5	26	-	-	-	-	-	-	-
C-4	10/08/1997	344.94	4.34	340.60	-	<50	<0.5	0.63	<0.5	<0.5	12	-	-	-	-	-	-	-
C-4	01/22/1998	344.94	4.26	340.68	-	<50	<0.5	4.3	<0.5	<0.5	10	-	-	-	-	-	-	-
C-4	04/15/1998 ¹³	344.94	1.01	343.93	-	-	-	-	-	-	-	-	-	-	-	-	-	-
C-4	07/09/1998	344.94	4.25	340.69	-	<50	<0.5	<0.5	<0.5	<0.5	37	-	-	-	-	-	-	-
C-4	10/02/1998	344.94	4.35	340.59	-	-	-	-	-	-	-	-	-	-	-	-	-	-
C-4	01/18/1999	344.94	4.21	340.73	-	<50	<0.5	<0.5	<0.5	<0.5	25.4	-	-	-	-	-	-	-
C-4	04/19/1999	344.94	2.31	342.63	-	-	-	-	-	-	-	-	-	-	-	-	-	-
C-4	07/19/1999 ³	344.94	1.53	343.41	-	10,000	1,160	23	178	50.4	45,600	-	-	-	-	-	-	-
C-4	09/28/1999	344.94	4.70	340.24	-	<50	<0.5	0.919	<0.5	<0.5	<2.5	-	-	-	-	-	-	-
C-4	10/27/1999	344.94	1.26	343.68	-	-	-	-	-	-	-	-	-	-	-	-	-	-
C-4	01/17/2000	344.94	4.22	340.72	-	<50	<0.5	21.4	<0.5	<0.5	4.6	-	-	-	-	-	-	-
C-4	04/11/2000	344.94	4.21	340.73	-	-	-	-	-	-	-	-	-	-	-	-	-	-
C-4	07/12/2000	344.94	4.21	340.73	-	<50.0	<0.500	<0.500	<0.500	<0.500	<2.50	-	-	-	-	-	-	-
C-4	10/07/2000	344.94	4.23	340.71	-	-	-	-	-	-	-	-	-	-	-	-	-	-
C-4	01/05/2001	344.94	4.22	340.72	-	<50	<0.50	<0.50	<0.50	<0.50	27	-	-	-	-	-	-	-
C-4	04/05/2001	344.94	4.23	340.71	-	-	-	-	-	-	-	-	-	-	-	-	-	-
C-4	08/20/2001	344.94	4.27	340.67	-	<50	<0.50	<0.50	<0.50	<0.50	18	-	-	-	-	-	-	-
C-4	11/26/2001 ¹³	344.94	4.26	340.68	-	-	-	-	-	-	-	-	-	-	-	-	-	-
C-4	02/25/2002	344.94	4.25	340.69	-	<50	<0.50	1.8	<0.50	<1.5	24/24 ⁷	<500	<100	<2	<2	<2	<2	<2
C-4	05/17/2002 ¹³	344.94	3.30	341.64	-	-	-	-	-	-	-	-	-	-	-	-	-	-

TABLE 1

GROUNDWATER MONITORING AND SAMPLING DATA
 FORMER CHEVRON SERVICE STATION 9-0329
 340 HIGHLANDS AVENUE
 PIEDMONT, CALIFORNIA

Location	Date	TOC	DTW	GWE	HYDROCARBONS		PRIMARY VOCS					ADDITIONAL VOCS						
					TPH-DRO	TPH-GRO	B	T	E	X	MTBE	ETHANOL	TBA	DIPE	ETBE	TAME	1,2-DCA	EDB
	Units	ft	ft	ft-amsl	µg/L	µg/L	µg/L	µg/L	µg/L	µg/L	µg/L	µg/L	µg/L	µg/L	µg/L	µg/L	µg/L	µg/L
C-4	08/13/2002	344.94	4.10	340.84	-	<50	<0.50	<0.50	<1.0	<1.5	7.3	-	-	-	-	-	-	-
C-4	11/23/2002 ¹³	344.94	3.04	341.90	-	-	-	-	-	-	-	-	-	-	-	-	-	-
C-4	02/17/2003	344.94	2.12	342.82	-	<50	<0.50	<0.50	<0.50	<1.5	<2.5/<0.5 ⁷	-	<5	<0.5	<0.5	<0.5	<0.5	<0.5
C-4	05/19/2003 ¹³	344.94	2.57	342.37	-	-	-	-	-	-	-	-	-	-	-	-	-	-
C-4	08/18/2003 ⁸	344.94	2.99	341.95	-	<50	<0.5	<0.5	<0.5	<0.5	<0.5	<50	-	-	-	-	-	-
C-4	11/17/2003 ¹³	344.94	2.25	342.69	-	-	-	-	-	-	-	-	-	-	-	-	-	-
C-4	05/03/2006 ⁸	344.94	2.15	342.79	360	<50	<0.5	<0.5	<0.5	<0.5	3	-	-	-	-	-	-	-
C-4	03/22/2007 ⁸	344.94	2.44	342.50	-	<50	<0.5	<0.5	<0.5	<0.5	16	-	<2	<0.5	<0.5	<0.5	<0.5	<0.5
C-4	09/25/2009 ⁸	344.94	6.40	338.54	-	<50	<0.5	<0.5	<0.5	<0.5	<0.5	-	<2	<0.5	<0.5	<0.5	-	-
C-4	02/25/2010	344.94	1.48	343.46	-	<50	<0.5	<0.5	<0.5	<0.5	<0.5	-	-	-	-	-	-	-
C-4	09/02/2010	344.94	5.20	339.74	-	<50	<0.5	<0.5	<0.5	<0.5	0.7 J	-	-	-	-	-	-	-
C-4	03/25/2011	344.94	2.80	342.14	-	<50	<0.5	<0.5	<0.5	<0.5	<0.5	-	-	-	-	-	-	-
C-4	05/04/2011	344.84	2.40	342.02	<50	-	-	-	-	-	-	-	-	-	-	-	-	-
C-4	09/28/2011	344.94	3.98	340.96	250	<50	<0.5	<0.5	<0.5	<0.5	<0.5	-	-	-	-	-	-	-
C-5	11/25/1996	-	3.30	-	-	<50	<0.5	<0.5	<0.5	<0.5	<2.5	-	-	-	-	-	-	-
C-5	01/23/1997	345.14	1.45	343.69	-	<50	<0.5	<0.5	<0.5	<0.5	<2.5	-	-	-	-	-	-	-
C-5	04/08/1997	345.14	2.32	342.82	-	<50	<0.5	<0.5	<0.5	<0.5	<2.5	-	-	-	-	-	-	-
C-5	07/09/1997	345.14	2.30	342.84	-	<50	<0.5	<0.5	<0.5	<0.5	<2.5	-	-	-	-	-	-	-
C-5	10/08/1997	345.14	3.00	342.14	-	<50	<0.5	<0.5	<0.5	<0.5	<2.5	-	-	-	-	-	-	-
C-5	01/22/1998	345.14	1.00	344.14	-	<50	<0.5	<0.5	<0.5	<0.5	<2.5	-	-	-	-	-	-	-
C-5	04/15/1998 ¹³	345.14	3.25	341.89	-	-	-	-	-	-	-	-	-	-	-	-	-	-
C-5	07/09/1998	345.14	0.20	344.94	-	-	-	-	-	-	-	-	-	-	-	-	-	-
C-5	10/02/1998	345.14	2.32	342.82	-	-	-	-	-	-	-	-	-	-	-	-	-	-
C-5	01/18/1999	345.14	2.13	343.01	-	<50	<0.5	<0.5	<0.5	<0.5	<2.0	-	-	-	-	-	-	-
C-5	04/19/1999	345.14	2.07	343.07	-	-	-	-	-	-	-	-	-	-	-	-	-	-
C-5	07/19/1999	345.14	2.42	342.72	-	-	-	-	-	-	-	-	-	-	-	-	-	-
C-5	10/27/1999	345.14	2.37	342.77	-	-	-	-	-	-	-	-	-	-	-	-	-	-
C-5	01/17/2000	345.14	2.50	342.64	-	<50	<0.5	<0.5	<0.5	<0.5	<2.5	-	-	-	-	-	-	-
C-5	04/11/2000	345.14	2.18	342.96	-	-	-	-	-	-	-	-	-	-	-	-	-	-
C-5	07/12/2000	345.14	2.08	343.06	-	-	-	-	-	-	-	-	-	-	-	-	-	-
C-5	10/07/2000	345.14	2.38	342.76	-	-	-	-	-	-	-	-	-	-	-	-	-	-
C-5	01/05/2001	345.14	2.13	343.01	-	<50	<0.50	<0.50	<0.50	<0.50	<2.5	-	-	-	-	-	-	-

TABLE 1

GROUNDWATER MONITORING AND SAMPLING DATA
 FORMER CHEVRON SERVICE STATION 9-0329
 340 HIGHLANDS AVENUE
 PIEDMONT, CALIFORNIA

Location	Date	TOC	DTW	GWE	HYDROCARBONS		PRIMARY VOCS					ADDITIONAL VOCS						
					TPH-DRO	TPH-GRO	B	T	E	X	MTBE	ETHANOL	TBA	DIPE	ETBE	TAME	1,2-DCA	EDB
	Units	ft	ft	ft-amsl	µg/L	µg/L	µg/L	µg/L	µg/L	µg/L	µg/L	µg/L	µg/L	µg/L	µg/L	µg/L	µg/L	µg/L
C-5	04/05/2001	345.14	1.80	343.34	-	-	-	-	-	-	-	-	-	-	-	-	-	-
C-5	08/20/2001	345.14	2.08	343.06	-	-	-	-	-	-	-	-	-	-	-	-	-	-
C-5	11/26/2001 ¹³	345.14	2.25	342.89	-	-	-	-	-	-	-	-	-	-	-	-	-	-
C-5	02/25/2002	345.14	2.80	342.34	-	<50	<0.50	<0.50	<0.50	<1.5	<2.5/<2 ⁷	<500	<100	<2	<2	<2	<2	<2
C-5	05/17/2002 ¹³	345.14	1.81	343.33	-	-	-	-	-	-	-	-	-	-	-	-	-	-
C-5	08/13/2002 ¹³	345.14	1.82	343.32	-	-	-	-	-	-	-	-	-	-	-	-	-	-
C-5	11/23/2002 ¹³	345.14	2.36	342.78	-	-	-	-	-	-	-	-	-	-	-	-	-	-
C-5	02/17/2003	345.14	1.89	343.25	-	<50	<0.50	<0.50	<0.50	<1.5	<2.5/<0.5 ⁷	-	<5	<0.5	<0.5	<0.5	<0.5	<0.5
C-5	05/19/2003 ¹³	345.14	1.91	343.23	-	-	-	-	-	-	-	-	-	-	-	-	-	-
C-5	08/18/2003 ¹³	345.14	1.92	343.22	-	-	-	-	-	-	-	-	-	-	-	-	-	-
C-5	11/17/2003 ¹³	345.14	2.08	343.06	-	-	-	-	-	-	-	-	-	-	-	-	-	-
C-5	05/03/2006 ⁸	345.14	1.27	343.87	<50	<50	<0.5	<0.5	<0.5	<0.5	<0.5	-	-	-	-	-	-	-
C-5	03/22/2007 ⁸	345.14	1.43	343.71	-	<50	<0.5	<0.5	<0.5	<0.5	<0.5	-	<2	<0.5	<0.5	<0.5	<0.5	<0.5
C-5	09/25/2009 ⁸	345.14	3.49	341.65	-	<50	<0.5	<0.5	<0.5	<0.5	<0.5	-	<2	<0.5	<0.5	<0.5	-	-
C-5	02/25/2010	345.14	2.20	342.94	-	<50	<0.5	<0.5	<0.5	<0.5	<0.5	-	-	-	-	-	-	-
C-5	09/02/2010	345.14	3.12	342.02	-	<50	<0.5	<0.5	<0.5	<0.5	<0.5	-	-	-	-	-	-	-
C-5	03/25/2011	345.14	0.81	344.33	-	<50	<0.5	<0.5	<0.5	<0.5	<0.5	-	-	-	-	-	-	-
C-5	05/04/2011	345.14	2.0	343.14	<50	-	-	-	-	-	-	-	-	-	-	-	-	-
C-5	09/28/2011	345.14	2.20	342.94	<50	<50	<0.5	<0.5	<0.5	<0.5	<0.5	-	-	-	-	-	-	-
C-6	11/25/1996	-	2.13	-	-	<50	<0.5	<0.5	<0.5	<0.5	<2.5	-	-	-	-	-	-	-
C-6	01/23/1997 ¹¹	338.61	-	-	-	<50	<0.5	<0.5	<0.5	<0.5	<2.5	-	-	-	-	-	-	-
C-6	04/08/1997 ¹¹	338.61	-	-	-	<50	<0.5	<0.5	<0.5	<0.5	<2.5	-	-	-	-	-	-	-
C-6	07/09/1997	338.61	2.77	335.84	-	<50	<0.5	<0.5	<0.5	<0.5	<2.5	-	-	-	-	-	-	-
C-6	10/08/1997	338.61	1.44	337.17	-	<50	<0.5	<0.5	<0.5	<0.5	<2.5	-	-	-	-	-	-	-
C-6	01/22/1998	338.61	1.54	337.07	-	<50	<0.5	<0.5	<0.5	<0.5	<2.5	-	-	-	-	-	-	-
C-6	04/15/1998	338.61	1.30	337.31	-	<50	<0.5	<0.5	<0.5	<0.5	<2.5	-	-	-	-	-	-	-
C-6	07/09/1998 ¹¹	338.61	-	-	-	<50	<0.5	<0.5	<0.5	<0.5	<2.5	-	-	-	-	-	-	-
C-6	10/02/1998	338.61	2.80	335.81	-	<50	<0.5	<0.5	<0.5	<1.5	<2.5	-	-	-	-	-	-	-
C-6	01/18/1999	338.61	1.29	337.32	-	<50	<0.5	<0.5	<0.5	<0.5	<2.0	-	-	-	-	-	-	-
C-6	04/19/1999	338.61	1.31	337.30	-	<50	<0.5	<0.5	<0.5	<0.5	<5.0	-	-	-	-	-	-	-
C-6	07/19/1999	338.61	1.56	337.05	-	<50	<0.5	<0.5	<0.5	<0.5	<5.0	-	-	-	-	-	-	-
C-6	10/27/1999	338.61	1.45	337.16	-	<50	<0.5	<0.5	<0.5	<0.5	<2.5	-	-	-	-	-	-	-

TABLE 1

GROUNDWATER MONITORING AND SAMPLING DATA
 FORMER CHEVRON SERVICE STATION 9-0329
 340 HIGHLANDS AVENUE
 PIEDMONT, CALIFORNIA

Location	Date	TOC	DTW	GWE	HYDROCARBONS		PRIMARY VOCS					ADDITIONAL VOCS						
					TPH-DRO	TPH-GRO	B	T	E	X	MTBE	ETHANOL	TBA	DIPE	ETBE	TAME	1,2-DCA	EDB
	Units	ft	ft	ft-amsl	µg/L	µg/L	µg/L	µg/L	µg/L	µg/L	µg/L	µg/L	µg/L	µg/L	µg/L	µg/L	µg/L	µg/L
C-6	01/17/2000	338.61	1.65	336.96	-	<50	<0.5	<0.5	<0.5	<0.5	<2.5	-	-	-	-	-	-	-
C-6	04/11/2000	338.61	1.56	337.05	-	<50	<0.50	<0.50	<0.50	<0.50	<2.5	-	-	-	-	-	-	-
C-6	07/12/2000	338.61	1.01	337.60	-	<50.0	<0.500	<0.500	<0.500	<0.500	<2.50	-	-	-	-	-	-	-
C-6	10/07/2000	338.61	1.19	337.42	-	<50.0	<0.500	<0.500	<0.500	<0.500	<2.50	-	-	-	-	-	-	-
C-6	01/05/2001	338.61	0.87	337.74	-	<50	<0.50	<0.50	<0.50	<0.50	<2.5	-	-	-	-	-	-	-
C-6	04/05/2001	338.61	0.32	338.29	-	<50	<0.50	<0.50	<0.50	<0.50	<2.5	-	-	-	-	-	-	-
C-6	08/20/2001 ⁶	338.61	-	-	-	<50	<0.50	<0.50	<0.50	<0.50	<2.5	-	-	-	-	-	-	-
C-6	11/26/2001	338.61	0.76	337.85	-	<50	<0.50	<0.50	<0.50	<1.5	<2.5	-	-	-	-	-	-	-
C-6	02/25/2002 ⁶	338.61	-	-	-	<50	<0.50	<0.50	<0.50	<1.5	<2.5/ ^{<2} 7	<500	<100	<2	<2	<2	<2	<2
C-6	05/17/2002 ⁶	338.61	-	-	-	<50	<0.50	<0.50	<0.50	<1.5	<2.5	-	-	-	-	-	-	-
C-6	08/13/2002	338.61	0.90	337.71	-	<50	<0.50	<0.50	<0.50	<1.5	<2.5	-	-	-	-	-	-	-
C-6	11/23/2002	338.61	1.03	337.58	-	<50	<0.50	<0.50	<0.50	<1.5	<2.5	-	-	-	-	-	-	-
C-6	02/17/2003	338.61	0.85	337.76	-	<50	<0.50	<0.50	<0.50	<1.5	<2.5/ ^{<0.5} 7	-	<5	<0.5	<0.5	<0.5	<0.5	<0.5
C-6	05/19/2003 ^{6,8}	338.61	-	-	-	<50	<0.5	<0.5	<0.5	<0.5	<0.5	-	-	-	-	-	-	-
C-6	08/18/2003 ⁸	338.61	0.00	338.61	-	<50	<0.5	<0.5	<0.5	<0.5	<0.5	<50	-	-	-	-	-	-
C-6	11/17/2003 ⁸	338.61	0.00	338.61	-	<50	<0.5	<0.5	<0.5	<0.5	<0.5	<50	-	-	-	-	-	-
C-6	05/03/2006 ⁸	338.61	0.00	338.61	150	<50	<0.5	<0.5	<0.5	<0.5	<0.5	-	-	-	-	-	-	-
C-6	03/22/2007 ⁸	338.61	0.00	338.61	-	<50	<0.5	<0.5	<0.5	<0.5	<0.5	-	<2	<0.5	<0.5	<0.5	<0.5	<0.5
C-6	09/25/2009 ⁸	338.61	3.95	334.66	-	<50	<0.5	<0.5	<0.5	<0.5	<0.5	-	<2	<0.5	<0.5	<0.5	-	-
C-6	02/25/2010	338.61	0.60	338.01	-	<50	<0.5	<0.5	<0.5	<0.5	<0.5	-	-	-	-	-	-	-
C-6	09/02/2010	338.61	3.26	335.35	-	<50	<0.5	<0.5	<0.5	<0.5	<0.5	-	-	-	-	-	-	-
C-6	03/25/2011	338.61	0.12	338.49	-	<50	<0.5	<0.5	<0.5	<0.5	<0.5	-	-	-	-	-	-	-
C-6	05/04/2011	338.61	1.63	336.98	<50	-	-	-	-	-	-	-	-	-	-	-	-	-
C-6	09/28/2011	338.61	1.40	337.21	<50	<50	<0.5	<0.5	<0.5	<0.5	<0.5	-	-	-	-	-	-	-
City Well	03/25/2011	-	16.12	-	-	<50	<0.5	<0.5	<0.5	<0.5	<0.5	-	-	-	-	-	-	-
City Well	05/04/2011	-	17.40	-	<50	-	-	-	-	-	-	-	-	-	-	-	-	-
QA	11/26/2001	-	-	-	-	<50	<0.50	<0.50	<0.50	<1.5	<2.5	-	-	-	-	-	-	-
QA	02/25/2002	-	-	-	-	<50	<0.50	<0.50	<0.50	<1.5	<2.5	-	-	-	-	-	-	-
QA	05/17/2002	-	-	-	-	<50	<0.50	<0.50	<0.50	<1.5	<2.5	-	-	-	-	-	-	-
QA	08/13/2002	-	-	-	-	<50	<0.50	<0.50	<0.50	<1.5	<2.5	-	-	-	-	-	-	-
QA	11/23/2002	-	-	-	-	<50	<0.50	<0.50	<0.50	<1.5	<2.5	-	-	-	-	-	-	-

TABLE 1

GROUNDWATER MONITORING AND SAMPLING DATA
 FORMER CHEVRON SERVICE STATION 9-0329
 340 HIGHLANDS AVENUE
 PIEDMONT, CALIFORNIA

Location	Date	TOC	DTW	GWE	HYDROCARBONS		PRIMARY VOCS					ADDITIONAL VOCS						
					TPH-DRO	TPH-GRO	B	T	E	X	MTBE	ETHANOL	TBA	DIPE	ETBE	TAME	1,2-DCA	EDB
	Units	ft	ft	ft-amsl	µg/L	µg/L	µg/L	µg/L	µg/L	µg/L	µg/L	µg/L	µg/L	µg/L	µg/L	µg/L	µg/L	µg/L
QA	02/17/2003	-	-	-	-	<50	<0.50	<0.50	<0.50	<1.5	<2.5	-	-	-	-	-	-	-
QA	05/19/2003 ^s	-	-	-	-	<50	<0.5	<0.5	<0.5	<0.5	<0.5	-	-	-	-	-	-	-
QA	08/18/2003 ^s	-	-	-	-	<50	<0.5	<0.5	<0.5	<0.5	<0.5	-	-	-	-	-	-	-
QA	11/17/2003 ^s	-	-	-	-	<50	<0.5	<0.5	<0.5	<0.5	<0.5	-	-	-	-	-	-	-
QA	05/03/2006 ^s	-	-	-	-	<50	-	-	-	-	-	-	-	-	-	-	-	-
QA	03/22/2007 ⁹	-	-	-	-	<50	<0.5	<0.5	<0.5	<0.5	<0.5	-	-	-	-	-	-	-
QA	09/25/2009 ^s	-	-	-	-	<50	<0.5	<0.5	<0.5	<0.5	<0.5	-	-	-	-	-	-	-
QA	02/25/2010	-	-	-	-	<50	<0.5	<0.5	<0.5	<0.5	<0.5	-	-	-	-	-	-	-
QA	09/02/2010	-	-	-	-	<50	<0.5	<0.5	<0.5	<0.5	<0.5	-	-	-	-	-	-	-
QA	03/25/2011	-	-	-	-	<50	<0.5	<0.5	<0.5	<0.5	<0.5	-	-	-	-	-	-	-
QA	09/28/2011	-	-	-	-	<50	<0.5	<0.5	<0.5	<0.5	<0.5	-	-	-	-	-	-	-
Trip Blank	01/06/1993	-	-	-	-	<50	<0.5	<0.5	<0.5	<0.5	-	-	-	-	-	-	-	-
Trip Blank	03/29/1993	-	-	-	-	<50	<0.5	<0.5	<0.5	1.0	-	-	-	-	-	-	-	-
Trip Blank	07/02/1993	-	-	-	-	<50	<0.5	<0.5	<0.5	<0.5	-	-	-	-	-	-	-	-
Trip Blank	10/11/1993	-	-	-	-	<50	<0.5	<0.5	<0.5	<0.5	-	-	-	-	-	-	-	-
Trip Blank	01/10/1994	-	-	-	-	<50	<0.5	<0.5	<0.5	<0.5	-	-	-	-	-	-	-	-
Trip Blank	04/06/1994	-	-	-	-	<50	<0.5	<0.5	<0.5	<0.5	-	-	-	-	-	-	-	-
Trip Blank	07/06/1994	-	-	-	-	<50	<0.5	<0.5	<0.5	<0.5	-	-	-	-	-	-	-	-
Trip Blank	11/11/1994	-	-	-	-	<50	<0.5	<0.5	<0.5	<0.5	-	-	-	-	-	-	-	-
Trip Blank	01/06/1995	-	-	-	-	<50	<0.5	<0.5	<0.5	<0.5	-	-	-	-	-	-	-	-
Trip Blank	04/13/1995	-	-	-	-	<50	<0.5	<0.5	<0.5	<0.5	-	-	-	-	-	-	-	-
Trip Blank	07/25/1995	-	-	-	-	<50	<0.5	<0.5	<0.5	<0.5	-	-	-	-	-	-	-	-
Trip Blank	10/05/1995	-	-	-	-	<50	<0.5	<0.5	<0.5	<0.5	-	-	-	-	-	-	-	-
Trip Blank	01/02/1996	-	-	-	-	<50	<0.5	<0.5	<0.5	<0.5	<2.5	-	-	-	-	-	-	-
Trip Blank	04/11/1996	-	-	-	-	<50	<0.5	<0.5	<0.5	<0.5	<2.5	-	-	-	-	-	-	-
Trip Blank	07/08/1996	-	-	-	-	<50	<0.5	<0.5	<0.5	<0.5	<2.5	-	-	-	-	-	-	-
Trip Blank	10/03/1996	-	-	-	-	<50	<0.5	<0.5	<0.5	<0.5	-	-	-	-	-	-	-	-
Trip Blank	01/23/1997	-	-	-	-	<50	<0.5	<0.5	<0.5	<0.5	<2.5	-	-	-	-	-	-	-
Trip Blank	04/08/1997	-	-	-	-	<50	<0.5	<0.5	<0.5	<0.5	<2.5	-	-	-	-	-	-	-
Trip Blank	07/09/1997	-	-	-	-	<50	<0.5	<0.5	<0.5	<0.5	<2.5	-	-	-	-	-	-	-
Trip Blank	10/08/1997	-	-	-	-	<50	<0.5	<0.5	<0.5	<0.5	<2.5	-	-	-	-	-	-	-
Trip Blank	01/22/1998	-	-	-	-	<50	<0.5	<0.5	<0.5	<0.5	<2.5	-	-	-	-	-	-	-

**GROUNDWATER MONITORING AND SAMPLING DATA
FORMER CHEVRON SERVICE STATION 9-0329
340 HIGHLANDS AVENUE
PIEDMONT, CALIFORNIA**

Location	Date	TOC	DTW	GWE	HYDROCARBONS		PRIMARY VOCS					ADDITIONAL VOCS							
					TPH-DRO	TPH-GRO	B	T	E	X	MTBE	ETHANOL	TBA	DIPE	ETBE	TAME	1,2-DCA	EDB	
		Units	ft	ft	ft-amsl	µg/L	µg/L	µg/L	µg/L	µg/L	µg/L	µg/L	µg/L	µg/L	µg/L	µg/L	µg/L	µg/L	µg/L
Trip Blank	07/09/1998	-	-	-	-	<50	<50	<0.5	<0.5	<0.5	<0.5	<2.5	-	-	-	-	-	-	-
Trip Blank	10/02/1998	-	-	-	-	<50	<50	<0.5	<0.5	<0.5	<0.5	<2.5	-	-	-	-	-	-	-
Trip Blank	01/18/1999	-	-	-	-	<50	<50	<0.5	<0.5	<0.5	<0.5	<2.0	-	-	-	-	-	-	-
Trip Blank	04/19/1999	-	-	-	-	<50	<50	<0.5	<0.5	<0.5	<0.5	<5.0	-	-	-	-	-	-	-
Trip Blank	07/19/1999	-	-	-	-	<50	<50	<0.5	<0.5	<0.5	<0.5	<5.0	-	-	-	-	-	-	-
Trip Blank	10/27/1999	-	-	-	-	<50	<50	<0.5	<0.5	<0.5	<0.5	<2.5	-	-	-	-	-	-	-
Trip Blank	01/17/2000	-	-	-	-	<50	<50	<0.5	<0.5	<0.5	<0.5	<2.5	-	-	-	-	-	-	-
Trip Blank	04/11/2000	-	-	-	-	<50	<50	<0.50	<0.50	<0.50	<0.50	<2.5	-	-	-	-	-	-	-
Trip Blank	07/12/2000	-	-	-	-	<50.0	<50.0	<0.500	<0.500	<0.500	<0.500	<2.50	-	-	-	-	-	-	-
Trip Blank	10/07/2000	-	-	-	-	<50.0	<50.0	<0.500	<0.500	<0.500	<0.500	<2.50	-	-	-	-	-	-	-
Trip Blank	01/05/2001	-	-	-	-	<50	<50	<0.50	<0.50	<0.50	<0.50	<2.5	-	-	-	-	-	-	-
Trip Blank	04/05/2001	-	-	-	-	<50	<50	<0.50	<0.50	<0.50	<0.50	<2.5	-	-	-	-	-	-	-
Trip Blank	08/20/2001	-	-	-	-	<50	<50	<0.50	<0.50	<0.50	<0.50	<2.5	-	-	-	-	-	-	-

Abbreviations and Notes:

TOC = Top of Casing

DTW = Depth to Water

GWE = Groundwater elevation

(ft-amsl) = Feet Above Mean sea level

ft = Feet

µg/L = Micrograms per Liter

TPH-DRO = Total Petroleum Hydrocarbons - Diesel Range Organics

TPH-GRO = Total Petroleum Hydrocarbons - Gasoline Range Organics

VOCS = Volatile Organic Compounds

B = Benzene

T = Toluene

E = Ethylbenzene

X = Xylene

MTBE = Methyl tert butyl ether

TBA = Tert-Butyl alcohol

DIPE = Diisopropyl ether

ETBE = Tert-Butyl ethyl ether

TAME = Tert-Amyl methyl ether

**GROUNDWATER MONITORING AND SAMPLING DATA
FORMER CHEVRON SERVICE STATION 9-0329
340 HIGHLANDS AVENUE
PIEDMONT, CALIFORNIA**

Location	Date	TOC	DTW	GWE	HYDROCARBONS		PRIMARY VOCS					ADDITIONAL VOCS							
					TPH-DRO	TPH-GRO	B	T	E	X	MTBE	ETHANOL	TBA	DIPE	ETBE	TAME	1,2-DCA	EDB	
	Units	ft	ft	ft-amsl	µg/L	µg/L	µg/L	µg/L	µg/L	µg/L	µg/L	µg/L	µg/L	µg/L	µg/L	µg/L	µg/L	µg/L	µg/L

1,2-DCA = 1,2-Dichloroethane

EDB = 1,2-Dibromoethane (Ethylene dibromide)

-- = Not available / not applicable

<x = Not detected above laboratory method detection limit

J = Estimated concentration

* TOC elevations are relative to mean sea level

1 MTBE confirmation run.

2 TOC elevation adjusted due to broken top of casing.

3 Anomalous results: Results for this sample are likely the result of a mislabeling of sample containers; results most closely resemble those of well C-2.

4 Laboratory report indicates gasoline C6-C12.

5 Laboratory report indicates weathered gasoline C6-C12.

6 Unable to determine DTW, water overflowing TOC.

7 MTBE by EPA Method 8260.

8 BTEX and MTBE by EPA Method 8260.

9 Due to QC issues at the Laboratory; BTEX and MTBE could not be reported.

10 TOC altered, unable to determine GWE.

11 Flooded

12 Dry

13 Sampled Semi-annually

ATTACHMENT A

MONITORING DATA PACKAGE



September 29, 2011

Chevron Environmental Management Company
Dave Patten
6111 Bollinger Canyon Rd.
San Ramon, CA 94583

Third Quarter 2011 Monitoring at
Chevron Service Station 90329
340 Highland Ave.
Piedmont, CA

Monitoring performed on September 28, 2011

Blaine Tech Services, Inc. Groundwater Monitoring Event 110928-PH1

This submission covers the routine monitoring of groundwater wells conducted on September 28, 2011 at this location. Seven monitoring wells were measured for depth to groundwater (DTW). Seven monitoring wells were sampled. All sampling activities were performed in accordance with local, state and federal guidelines.

Water levels measurements were collected using an electronic slope indicator. All sampled wells were purged of three case volumes, depending on well recovery, or until water temperature, pH and conductivity stabilized. Purging was accomplished using electric submersible pumps, positive air-displacement pumps or stainless steel, Teflon or disposable bailers. Subsequent sample collection and sample handling was performed in accordance with EPA protocols using disposable bailers. Alternately, where applicable, wells were sampled utilizing no-purge methodology. All reused equipment was decontaminated in an integrated stainless steel sink with de-ionized water supplied Hotsy pressure washer and Liquinox or equivalent.

Third Quarter Groundwater Monitoring at Chevron 90329, 340 Highland Ave., Piedmont, CA

SAN JOSE

SACRAMENTO

LOS ANGELES

SAN DIEGO

1680 ROGERS AVENUE

SAN JOSE, CA 95112-1105

(408) 573-0555

FAX (408) 573-7771

LIC: 746684

www.blainetech.com

Samples were delivered under chain-of-custody to Lancaster Laboratories of Lancaster, Pennsylvania, for analysis. Monitoring well purgewater and equipment rinsate water was collected and transported under bill-of-lading to IWM facilities of San Jose, California.

Enclosed documentation from this event includes copies of the Well Gauging Sheet, Well Monitoring Data Sheets, and Chain-of-Custody.

Blaine Tech Services, Inc.'s activities at this site consisted of objective data and sample collection only. No interpretation of analytical results, defining of hydrogeologic conditions or formulation of recommendations was performed.

Please call if you have any questions.

Sincerely,



Dustin Becker
Blaine Tech Services, Inc.
Senior Project Manager

attachments: SOP
Well Gauging Sheet
Individual Well Monitoring Data Sheets
Chain of Custody
Wellhead Inspection Form
Bill of Lading
Calibration Log

cc: CRA
Attn: Nathan Lee
5900 Hollis St. Suite A
Emeryville, CA 94608

Third Quarter Groundwater Monitoring at Chevron 90329, 340 Highland Ave., Piedmont, CA

SAN JOSE

SACRAMENTO

LOS ANGELES

SAN DIEGO

1680 ROGERS AVENUE

SAN JOSE, CA 95112-1105

(408) 573-0555

FAX (408) 573-7771

LIC: 746684

www.blainetech.com

BLAINE TECH SERVICES, INC. METHODS AND PROCEDURES FOR THE ROUTINE MONITORING OF GROUNDWATER WELLS AT CHEVRON SITES

Blaine Tech Services, Inc. performs environmental sampling and documentation as an independent third party. We specialize in groundwater monitoring assignments and intentionally limit the scope of our services to those centered on the generation of objective information.

To avoid conflicts of interest, Blaine Tech Services, Inc. personnel do not evaluate or interpret the information we collect. As a state licensed contractor (C-57 well drilling –water – 746684) performing strictly technical services, we do not make any professional recommendations and perform no consulting of any kind.

SAMPLING PROCEDURES OVERVIEW

SAFETY

All groundwater monitoring assignments performed for Chevron comply with Chevron's safety guidelines, 29 CFR 1910.120 and SB-198 Injury and Illness Prevention Program (IIPP). All Field Technicians receive the full 40-hour 29CFR 1910.120 OSHA SARA HAZWOPER course, medical clearance and on-the-job training prior to commencing any work on any Chevron site.

INSPECTION AND GAUGING

Wells are inspected prior to evacuation and sampling. The condition of the wellhead is checked and noted according to a wellhead inspection checklist.

Standard measurements include the depth to water (DTW) and the total well depth (TD) obtained with industry standard electronic water level indicators that are graduated in increments of hundredths of a foot.

The water in each well is inspected for the presence of immiscibles. When free product is suspected, its presence is confirmed using an electronic interface probe (e.g. GeoTech). No samples are collected from a well containing over two-hundredths of a foot (0.02') of product.

EVACUATION

Depth to water measurements are collected by our personnel prior to purging and minimum purge volumes are calculated anew for each well based on the height of the water column and the diameter of the well. Expected purge volumes are never less than three case volumes and are set at no less than four case volumes in some jurisdictions.

Well purging devices are selected on the basis of the well diameter and the total volume to be

evacuated. In most cases the well will be purged using an electric submersible pump (i.e. Grundfos) suspended near (but not touching) the bottom of the well.

PARAMETER STABILIZATION

Well purging completion standards include minimum purge volumes, but additionally require stabilization of specific groundwater parameters prior to sample collection. Typical groundwater parameters used to measure stability are electrical conductivity, pH, and temperature. Instrument readings are obtained at regular intervals during the evacuation process (no less than once per case volume).

Stabilization standards for routine quarterly monitoring of fuel sites include the following: Temperature is considered to have stabilized when successive readings do not fluctuate more than +/- 1 degree Celsius. Electrical conductivity is considered stable when successive readings are within 10%. pH is considered to be stable when successive readings remain constant or vary no more than 0.2 of a pH unit.

DEWATERED WELLS

Normal evacuation removes no less than three case volumes of water from the well. However, less water may be removed in cases where the well dewateres and does not immediately recharge.

MEASURING RECHARGE

Upon completion of well purging, a depth to water measurement is collected and notated to ensure that the well has recharged to within 80% of its static, pre-purge level prior to sampling.

Wells that do not immediately show 80% recharge or dewatered wells will be allowed approximately 2 hours to recharge prior to sampling or will be sampled at site departure. All wells requiring off-site traffic control in the public right-of-way, the 80% recharge rule may be disregarded in the interests of Health and Safety. The sample may be collected as soon as there is sufficient water. The water level at time of sampling will be noted.

PURGEWATER CONTAINMENT

All non-hazardous purgewater evacuated from each groundwater monitoring well is captured and contained in on-board storage tanks on the Sampling Vehicle and/or special water hauling trailers. Effluent from the decontamination of reusable apparatus (sounders, electric pumps and hoses etc.), consisting of groundwater combined with deionized water and non-phosphate soap, is also captured and pumped into effluent tanks.

Non-hazardous purgewater is transported under standard Bill of Lading documentation to a Blaine Tech Services, Inc. facility before being transported to a Chevron approved disposal facility.

SAMPLE COLLECTION DEVICES

All samples are collected using disposable bailers.

SAMPLE CONTAINERS

Sample material is decanted directly from the sampling bailer into sample containers provided by the laboratory that will analyze the samples. The transfer of sample material from the bailer to the sample container conforms to specifications contained in the USEPA T.E.G.D. The type of sample container, material of construction, method of closure and filling requirements are specific to the intended analysis. Chemicals needed to preserve the sample material are commonly placed inside the sample containers by the laboratory or glassware vendor prior to delivery of the bottle to our personnel. The laboratory sets the number of replicate containers.

TRIP BLANKS

Trip Blanks, if requested, are taken to the site and kept inside the sample cooler for the duration of the event. They are turned over to the laboratory for analysis with the samples from that site.

DUPLICATES

Duplicates, if requested, may be collected at a site. The Duplicate sample is collected, typically from the well containing the most measurable contaminants. The Duplicate sample is labeled the same as the original.

SAMPLE STORAGE

All sample containers are promptly placed in food grade ice chests for storage in the field and transport (direct or via our facility) to the designated analytical laboratory. These ice chests contain quantities of restaurant grade ice as a refrigerant material. The samples are maintained in either an ice chest or a refrigerator until relinquished into the custody of the laboratory or laboratory courier.

DOCUMENTATION CONVENTIONS

A label must be affixed to all sample containers. In most cases these labels are generated by our office personnel and are partially preprinted. Labels can also be hand written by our field personnel. The site is identified with the store number and site address, as is the particular groundwater well from which the sample is drawn (e.g. MW-1, MW-2, S-1 etc.). The time and date of sample collection along with the initials of the person who collects the sample are handwritten onto the label.

Chain of Custody records are created using client specific preprinted forms following USEPA specifications.

Bill of Lading records are contemporaneous records created in the field at the site where the non-hazardous purgewater is generated. Field Technicians use preprinted Bill of Lading forms.

DECONTAMINATION

All equipment is brought to the site in clean and serviceable condition and is cleaned after use in each well and before subsequent use in any other well. Equipment is decontaminated before leaving the site.

The primary decontamination device is a commercial steam cleaner. The steam cleaner is de-tuned to function as a hot pressure washer that is then operated with high quality deionized water that is produced at our facility and stored onboard our sampling vehicle. Cleaning is facilitated by the use of proprietary fixtures and devices included in the patented workstation (U.S. Patent 5,535,775) that is incorporated in each sampling vehicle. The steam cleaner is used to decon reels, pumps and bailers.

Any sensitive equipment or parts (i.e. Dissolved Oxygen sensor membrane, water level indicator, etc.) that cannot be washed using the high pressure water, will be sprayed with a non-phosphate soap and deionized water solution and rinsed with deionized water.

DISSOLVED OXYGEN READINGS

Dissolved Oxygen readings are taken pre- and/or post-purge using YSI meters (e.g. YSI Model 550) or HACH field test kits.

The YSI meters are able to collect accurate in-situ readings. The probe allows downhole measurements to be taken from wells with diameters as small as two inches. The probe and reel is decontaminated between wells as described above. The meter is calibrated between wells as per the instructions in the operating manual. The probe is lowered into the water column and the reading is allowed to stabilize prior to collection.

OXYIDATON REDUCTION POTENTIAL READINGS

All readings are obtained with either Corning or Myron-L meters (e.g. Corning ORP-65 or a Myron-L Ultrameter GP). The meter is cleaned between wells as described above. The meter is calibrated at the start of each day according to the instruction manual.

FERROUS IRON MEASUREMENTS

All field measurements are collected at time of sampling with a HACH test kit.

CHEVRON WELL MONITORING DATA SHEET

Project #: <u>110928-PN1</u>	Station #: <u>9-0329</u>
Sampler: <u>PH</u>	Date: <u>9/28/11</u>
Weather: <u>Clear</u>	Ambient Air Temperature: <u>74°F</u>
Well I.D.: <u>C-2</u>	Well Diameter: <u>(2)</u> 3 4 6 8 _____
Total Well Depth: <u>11.43</u>	Depth to Water: <u>1.36</u>
Depth to Free Product:	Thickness of Free Product (feet):
Referenced to: <u>(PVC)</u> Grade	D.O. Meter (if req'd): YSI HACH
DTW with 80% Recharge [(Height of Water Column x 0.20) + DTW]: <u>3.37</u>	

Purge Method: <u>Bailer</u> <input checked="" type="radio"/> Bailer <input type="radio"/> Disposable Bailer <input type="radio"/> Positive Air Displacement <input type="radio"/> Electric Submersible	Waterra <input type="radio"/> Peristaltic <input type="radio"/> Extraction Pump <input type="radio"/> Other _____
Sampling Method: <u>Bailer</u> <input checked="" type="radio"/> Disposable Bailer <input type="radio"/> Extraction Port <input type="radio"/> Dedicated Tubing Other: _____	

<u>1.6</u> (Gals.) X	<u>3</u> Specified Volumes	= <u>4.8</u> Gals. Calculated Volume
----------------------	----------------------------	--------------------------------------

Well Diameter	Multiplier	Well Diameter	Multiplier
1"	0.04	4"	0.65
2"	0.16	6"	1.47
3"	0.37	Other	radius ² * 0.163

Time	Temp (°F)	pH	Cond. (mS or μ S)	Turbidity (NTUs)	Gals. Removed	Observations
1130	76.2	7.0	724	>1000	1.7	Sheen/odor
1134	75.5	6.9	696	>1000	3.5	
— Dewatered @ 3.5 gallons —						
1200	81.7	7.1	667	>1000	—	

Did well dewater? Yes No Gallons actually evacuated: 3.5

Sampling Date: 9/28/11 Sampling Time: 1200 Depth to Water: 2.30

Sample I.D.: C-2 Laboratory: Kanaster Other _____

Analyzed for: TPH-G BTEX MTBE OXYS (Other) See SDW

Duplicate I.D.: _____ Analyzed for: TPH-G BTEX MTBE OXYS Other: _____

D.O. (if req'd):	Pre-purge:	mg/L	Post-purge:	mg/L
------------------	------------	------	-------------	------

O.R.P. (if req'd):	Pre-purge:	mV	Post-purge:	mV
--------------------	------------	----	-------------	----

CHEVRON WELL MONITORING DATA SHEET

Project #: <u>110928-PA1</u>	Station #: <u>9-0329</u>
Sampler: <u>PH</u>	Date: <u>9/28/11</u>
Weather: <u>clear</u>	Ambient Air Temperature: <u>74°F</u>
Well I.D.: <u>C-3</u>	Well Diameter: <u>②</u> 3 4 6 8 _____
Total Well Depth: <u>13.38</u>	Depth to Water: <u>1.36</u>
Depth to Free Product:	Thickness of Free Product (feet):
Referenced to: <u>PVC</u> Grade	D.O. Meter (if req'd): YSI HACH
DTW with 80% Recharge [(Height of Water Column x 0.20) + DTW]: <u>3.76</u>	

Purge Method:

- Bailer
- Disposable Bailer
- Positive Air Displacement
- Electric Submersible
- Waterra
- Peristaltic
- Extraction Pump
- Other _____

Sampling Method:

- Bailer
- Disposable Bailer
- Extraction Port
- Dedicated Tubing

Other: _____

<u>1.9</u>	(Gals.) X	<u>3</u>	=	<u>5.8</u>	Gals.
1 Case Volume		Specified Volumes		Calculated Volume	

Well Diameter	Multiplier	Well Diameter	Multiplier
1"	0.04	4"	0.65
2"	0.16	6"	1.47
3"	0.37	Other	radius ² * 0.163

Time	Temp (°F)	pH	Cond. (mS or μ S)	Turbidity (NTUs)	Gals. Removed	Observations
<u>0822</u>	<u>76.1</u>	<u>6.3</u>	<u>657</u>	<u>>1000</u>	<u>2</u>	
<u>0823</u>	<u>75.6</u>	<u>6.3</u>	<u>627</u>	<u>>1000</u>	<u>4</u>	
<u>0828</u>	<u>75.2</u>	<u>6.4</u>	<u>630</u>	<u>>1000</u>	<u>6</u>	

Did well dewater? Yes No Gallons actually evacuated: 6

Sampling Date: 9/28/11 Sampling Time: 1140 Depth to Water: 8.60 (Site Dependent)

Sample I.D.: C-3 Laboratory: Lancaster Other _____

Analyzed for: TPH-G BTEX MTBE OXYS Other: See Saw

Duplicate I.D.: Analyzed for: TPH-G BTEX MTBE OXYS Other:

D.O. (if req'd): Pre-purge: _____ mg/L Post-purge: _____ mg/L

O.R.P. (if req'd): Pre-purge: _____ mV Post-purge: _____ mV

CHEVRON WELL MONITORING DATA SHEET

Project #: <u>110028-PH1</u>	Station #: <u>9-0329</u>
Sampler: <u>PH</u>	Date: <u>9/28/11</u>
Weather: <u>clear</u>	Ambient Air Temperature: <u>74°F</u>
Well I.D.: <u>C-4</u>	Well Diameter: <u>②</u> 3 4 6 8 _____
Total Well Depth: <u>9.82</u>	Depth to Water: <u>3.98</u>
Depth to Free Product:	Thickness of Free Product (feet):
Referenced to: <u>PVC</u> Grade	D.O. Meter (if req'd): YSI HACH
DTW with 80% Recharge [(Height of Water Column x 0.20) + DTW]: <u>5.14</u>	

Purge Method:

- Bailer
 Disposable Bailer
 Positive Air Displacement
 Electric Submersible
- Waterra
 Peristaltic
 Extraction Pump
 Other _____

Sampling Method:

- Bailer
 Disposable Bailer
 Extraction Port
 Dedicated Tubing

Other: _____

<u>0.9</u> (Gals.) X	<u>3</u>	<u>=</u>	<u>2.8</u> Gals.
1 Case Volume	Specified Volumes		Calculated Volume

Well Diameter	Multiplier	Well Diameter	Multiplier
1"	0.04	4"	0.65
2"	0.16	6"	1.47
3"	0.37	Other	radius ² * 0.163

Time	Temp (°F)	pH	Cond. (mS or μ S)	Turbidity (NTUs)	Gals. Removed	Observations
<u>0841</u>	<u>69.0</u>	<u>6.4</u>	<u>555</u>	<u>>1000</u>	<u>1</u>	
<u>0843</u>	<u>69.1</u>	<u>6.3</u>	<u>554</u>	<u>>1000</u>	<u>2</u>	
		<u>dewatered @ 2 gallons</u>			<u>3</u>	
<u>1150</u>	<u>77.0</u>	<u>7.2</u>	<u>388</u>	<u>>1000</u>	<u>-</u>	

Did well dewater? Yes No Gallons actually evacuated: 3

Sampling Date: 9/28/11 Sampling Time: 1150 Depth to Water: 5.40 (Site Reported)

Sample I.D.: C-4 Laboratory: Lancaster Other _____

Analyzed for: TPH-G BTEX MTBE OXYS Other: See SDW

Duplicate I.D.: Analyzed for: TPH-G BTEX MTBE OXYS Other:

D.O. (if req'd): Pre-purge: _____ mg/L Post-purge: _____ mg/L

O.R.P. (if req'd): Pre-purge: _____ mV Post-purge: _____ mV

CHEVRON WELL MONITORING DATA SHEET

Project #: <u>110928-PT11</u>	Station #: <u>9-0329</u>
Sampler: <u>PH</u>	Date: <u>9/28/11</u>
Weather: <u>clear</u>	Ambient Air Temperature: <u>74°F</u>
Well I.D.: <u>C-5</u>	Well Diameter: <u>②</u> 3 4 6 8 _____
Total Well Depth: <u>16.94</u>	Depth to Water: <u>2.20</u>
Depth to Free Product:	Thickness of Free Product (feet):
Referenced to: <u>PVO</u> Grade	D.O. Meter (if req'd): YSI HACH
DTW with 80% Recharge [(Height of Water Column x 0.20) + DTW]: <u>5.14</u>	

Purge Method: Bailer Sampling Method: Bailer
 ~~Disposable Bailer~~ ~~Disposable Bailer~~
 Positive Air Displacement Extraction Port
 Electric Submersible Other _____

2.3 (Gals.) X 3 = 7.0 Gals.
 I Case Volume Specified Volumes Calculated Volume

Well Diameter	Multiplier	Well Diameter	Multiplier
1"	0.04	4"	0.65
2"	0.16	6"	1.47
3"	0.37	Other	radius ² * 0.163

Time	Temp (°F)	pH	Cond. (mS or μ S)	Turbidity (NTUs)	Gals. Removed	Observations
<u>0902</u>	<u>68.8</u>	<u>6.8</u>	<u>717</u>	<u>>1000</u>	<u>2.5</u>	
<u>0906</u>	<u>68.6</u>	<u>6.9</u>	<u>715</u>	<u>>1000</u>	<u>5.0</u>	
<u>0910</u>	<u>68.1</u>	<u>6.9</u>	<u>714</u>	<u>>1000</u>	<u>7</u>	

Did well dewater? Yes No Gallons actually evacuated: 7

Sampling Date: 9/28/11 Sampling Time: 0915 Depth to Water: 9.20 (16.94)

Sample I.D.: C-5 Laboratory: Lancaster Other _____

Analyzed for: TPH-G BTEX MTBE OXYS Other: See 50W

Duplicate I.D.: Analyzed for: TPH-G BTEX MTBE OXYS Other:

D.O. (if req'd):	Pre-purge:	mg/L	Post-purge:	mg/L
	O.R.P. (if req'd):	Pre-purge:	mV	Post-purge:

CHEVRON WELL MONITORING DATA SHEET

Project #: <u>110928-PN1</u>	Station #: <u>9-0329</u>
Sampler: <u>PH</u>	Date: <u>9/28/11</u>
Weather: <u>clear</u>	Ambient Air Temperature: <u>74°F</u>
Well I.D.: <u>C-6</u>	Well Diameter: <u>(2)</u> 3 4 6 8 _____
Total Well Depth: <u>17.25</u>	Depth to Water: <u>1.40</u>
Depth to Free Product:	Thickness of Free Product (feet):
Referenced to: <u>(PVC)</u> Grade	D.O. Meter (if req'd): YSI HACH
DTW with 80% Recharge [(Height of Water Column x 0.20) + DTW]: <u>4.57</u>	

Purge Method: Disposible Bailer Waterra Disposible Bailer
 Bailer Peristaltic Extraction Port
 Positive Air Displacement Extraction Pump Dedicated Tubing
 Electric Submersible Other _____ Other: _____

<u>2.5</u> (Gals.) X	<u>3</u> Specified Volumes	<u>= 7.6</u> Gals. Calculated Volume
----------------------	----------------------------	--------------------------------------

Well Diameter	Multiplier	Well Diameter	Multiplier
1"	0.04	4"	0.65
2"	0.16	6"	1.47
3"	0.37	Other	radius ² * 0.163

Time	Temp (°F)	pH	Cond. (mS or μ S)	Turbidity (NTUs)	Gals. Removed	Observations
<u>0932</u>	<u>71.6</u>	<u>7.4</u>	<u>622</u>	<u>>1000</u>	<u>2.5</u>	
<u>0937</u>	<u>71.2</u>	<u>7.0</u>	<u>613</u>	<u>>1000</u>	<u>5.0</u>	
<u>0941</u>	<u>70.4</u>	<u>7.0</u>	<u>608</u>	<u>>1000</u>	<u>7.7</u>	

Did well dewater? Yes No Gallons actually evacuated: 7.7

Sampling Date: 9/28/11 Sampling Time: 0945 Depth to Water: 10.17 (Traffic)

Sample I.D.: C-6 Laboratory: Lancaster Other _____

Analyzed for: TPH-G BTEX MTBE OXYS (Other) see saw

Duplicate I.D.: Analyzed for: TPH-G BTEX MTBE OXYS Other:

D.O. (if req'd):	Pre-purge:	mg/L	Post-purge:	mg/L
	O.R.P. (if req'd):	Pre-purge:	mV	Post-purge:

CHEVRON WELL MONITORING DATA SHEET

Project #: <u>110928-141</u>	Station #: <u>9-0329</u>
Sampler: <u>PH</u>	Date: <u>9/28/11</u>
Weather: <u>clear</u>	Ambient Air Temperature: <u>74°F</u>
Well I.D.: <u>A</u>	Well Diameter: 2 3 4 <u>6</u> 8
Total Well Depth: <u>8.20</u>	Depth to Water: <u>1.58</u>
Depth to Free Product:	Thickness of Free Product (feet):
Referenced to: <u>PVC</u> Grade	D.O. Meter (if req'd): YSI HACH
DTW with 80% Recharge [(Height of Water Column x 0.20) + DTW]: <u>2.90</u>	

Purge Method:

Bailer
 Disposable Bailer
 Positive Air Displacement
 Electric Submersible
 Waterra
 Peristaltic
 Extraction Pump
 Other _____

Sampling Method:

Bailer
 Disposable Bailer
 Extraction Port
 Dedicated Tubing
 Other: _____

<u>9.7</u> (Gals.) X	<u>3</u>	<u>= 29.2</u> Gals.
I Case Volume	Specified Volumes	Calculated Volume

Well Diameter	Multiplier	Well Diameter	Multiplier
1"	0.04	4"	0.65
2"	0.16	6"	1.47
3"	0.37	Other	radius ² * 0.163

Time	Temp (°F)	pH	Cond. (mS or <u>µS</u>)	Turbidity (NTUs)	Gals. Removed	Observations
<u>1030</u>	<u>70.8</u>	<u>7.2</u>	<u>698</u>	<u>11</u>	<u>10</u>	
<u>1032</u>	<u>71.7</u>	<u>7.0</u>	<u>708</u>	<u>12</u>	<u>20</u>	
<u>1034</u>	<u>72.1</u>	<u>7.0</u>	<u>704</u>	<u>9</u>	<u>30</u>	

Did well dewater? Yes No Gallons actually evacuated: 30

Sampling Date: 9/28/11 Sampling Time: 1040 Depth to Water: 1.58

Sample I.D.: A Laboratory: Lancaster Other _____

Analyzed for: TPH-G BTEX MTBE OXYS Other: See SOW

Duplicate I.D.: Analyzed for: TPH-G BTEX MTBE OXYS Other:

D.O. (if req'd):	Pre-purge:	mg/L	Post-purge:	mg/L
	O.R.P. (if req'd):	Pre-purge:	mV	Post-purge:

CHEVRON WELL MONITORING DATA SHEET

Project #: <u>110928-PH1</u>	Station #: <u>9-0329</u>
Sampler: <u>PH</u>	Date: <u>9/28/11</u>
Weather: <u>clear</u>	Ambient Air Temperature: _____
Well I.D.: <u>2 3</u>	Well Diameter: 2 3 4 <u>6</u> 8 _____
Total Well Depth: <u>9.13</u>	Depth to Water: <u>3.78</u>
Depth to Free Product: _____	Thickness of Free Product (feet): _____
Referenced to: <u>PVC</u> Grade	D.O. Meter (if req'd): YSI HACH
DTW with 80% Recharge [(Height of Water Column x 0.20) + DTW]: <u>4.85</u>	

Purge Method:

- Bailer
- Disposable Bailer
- Positive Air Displacement
- Electric Submersible
- Waterra
- Peristaltic
- Extraction Pump
- Other _____

Sampling Method:

- Bailer
- Disposable Bailer
- Extraction Port
- Dedicated Tubing
- Other: _____

<u>7.8</u> (Gals.) X	<u>3</u> Specified Volumes =	<u>23.6</u> Gals. Calculated Volume
I Case Volume	Specified Volumes	Calculated Volume

Well Diameter	Multiplier	Well Diameter	Multiplier
1"	0.04	4"	0.65
2"	0.16	6"	1.47
3"	0.37	Other	radius ² * 0.163

Time	Temp (°F)	pH	Cond. (mS or <u>µS</u>)	Turbidity (NTUs)	Gals. Removed	Observations
1005	70.7	7.0	696	16	8	
1007	71.0	7.0	696	12	16	
1008	71.1	6.9	696	8	24	

Did well dewater? Yes No Gallons actually evacuated: 24

Sampling Date: 9/28/11 Sampling Time: 1010 Depth to Water: 3.78

Sample I.D.: B Laboratory: Lancaster Other _____

Analyzed for: TPH-G BTEX MTBE OXYS Other: See SW

Duplicate I.D.: _____ Analyzed for: TPH-G BTEX MTBE OXYS Other: _____

D.O. (if req'd):	Pre-purge: _____ mg/L	Post-purge: _____ mg/L
------------------	-----------------------	------------------------

O.R.P. (if req'd):	Pre-purge: _____ mV	Post-purge: _____ mV
--------------------	---------------------	----------------------

Chevron Site Number: 90329
 Chevron Site Global ID: T0600101885
 Chevron Site Address: 340 Highland Ave.,
Piedmont, CA
 Chevron PM: DAVE PATTEN
 Chevron PM Phone No.: (925)543-1740
 Retail and Terminal Business Unit (RTBU) Job
 Construction/Retail Job

Chevron Consultant: CRA
 Address: 5900 Hollis St. Suite A Emeryville,
CA Consultant Contact: Nathan Lee
 Consultant Phone No. 510-420-3333
 Consultant Project No. 110928-PH7
 Sampling Company: Blaine Tech Services
 Sampled By (Print): Patrick Heuser
 Sampler Signature: [Signature]

ANALYSES REQUIRED													
<input checked="" type="checkbox"/> H	<input checked="" type="checkbox"/> H											Preservation Codes H = HCL T= Thiosulfate N = HNO ₃ B = NaOH S = H ₂ SO ₄ O = Other Special Instructions Must meet lowest detection limits possible for 8260 Compounds, Run TPH-D with Silica Gel Clean Up	
		<input type="checkbox"/> HVOC	<input type="checkbox"/> HC SCREEN	<input type="checkbox"/> ORO	<input type="checkbox"/> DRO	<input type="checkbox"/> GRO	<input type="checkbox"/> MTBE	<input type="checkbox"/> BTEX	<input type="checkbox"/> METALS	<input type="checkbox"/> STLC	<input type="checkbox"/> ALKALINITY		
		<input type="checkbox"/> OXYGENATES									<input type="checkbox"/> EPA 310.1		
											<input type="checkbox"/> EPA 413.1 OIL & GREASE		
											<input type="checkbox"/> EPA 8260		<input type="checkbox"/> ETHANOL
											<input type="checkbox"/> EPA 8015		<input type="checkbox"/> TPH-D

Charge Code: NWRTB-0090329-0-OML
NWRTB 00SITE NUMBER-0- WBS
(WBS ELEMENTS:
 SITE ASSESSMENT: A1L REMEDIATION IMPLEMENTATION: R5L
 SITE MONITORING: OML OPERATION MAINTENANCE & MONITORING: M1L
THIS IS A LEGAL DOCUMENT. ALL FIELDS MUST BE FILLED OUT CORRECTLY AND COMPLETELY.

Lancaster Laboratories
 Other Lab _____
 Temp. Blank Check Time _____ Temp. _____
 Lancaster, PA
 Lab Contact: Jill Parker
 2425 New Holland Pike,
 Lancaster, PA 17601
 Phone No:
 (717)656-2300

SAMPLE ID				Sample Time	# of Containers	Container Type	EPA 8260B/GC/MS TPH-G	EPA 8015B GRO	EPA 8021B BTEX	EPA 6010 Ca, Fe, K, Mg, Mn, Na	EPA 6010/7000 TITLE 22 METALS	EPA 310.1 PH	SM2510B SPECIFIC CONDUCTIVITY	EPA 418.1 TRPH	EPA 8260 ETHANOL	EPA 8015 TPH-D	Notes/Comments	
Field Point Name	Matrix	Top Depth	Date (yymmdd)															
G-2	W		110928	1200	8	HCL V2A, Small Aggs	X	X										
G-3				1140			X	X										
G-4				1150			X	X										
G-5				0915			X	X										
G-6				0945			X	X										
A				1040			X	X										
B	↓			1010	↓		X	X										
QA	T			0800	2	HCL V2A	X	X										

Relinquished By <u>[Signature]</u>	Company <u>BTS</u>	Date/Time: <u>9/28/11 1745</u>	Relinquished To	Company	Date/Time	Turnaround Time: Standard <input checked="" type="checkbox"/> 24 Hours <input type="checkbox"/> 48 hours <input type="checkbox"/> 72 Hours Other <input type="checkbox"/>
Relinquished By	Company	Date/Time	Relinquished To	Company	Date/Time	
Relinquished By	Company	Date/Time	Relinquished To	Company	Date/Time	Intact: _____ On Ice: _____ Temp: _____ COC # _____

ATTACHMENT B

LABORATORY ANALYTICAL REPORT

ANALYTICAL RESULTS

Prepared by:

Lancaster Laboratories
2425 New Holland Pike
Lancaster, PA 17605-2425

Prepared for:

Chevron
6001 Bollinger Canyon Rd L4310
San Ramon CA 94583

October 11, 2011

Project: 90329

Submittal Date: 09/30/2011
Group Number: 1269281
PO Number: 0015074399
Release Number: PATTEN
State of Sample Origin: CA

<u>Client Sample Description</u>	<u>Lancaster Labs (LLI) #</u>
C-2-W-110928 NA Water	6425744
C-3-W-110928 NA Water	6425745
C-4-W-110928 NA Water	6425746
C-5-W-110928 NA Water	6425747
C-6-W-110928 NA Water	6425748
A-W-110928 NA Water	6425749
B-W-110928 NA Water	6425750
QA-T-110928 NA Water	6425751

The specific methodologies used in obtaining the enclosed analytical results are indicated on the Laboratory Sample Analysis Record.

ELECTRONIC COPY TO	Chevron c/o CRA	Attn: Report Contact
ELECTRONIC COPY TO	Blaine Tech Services, Inc.	Attn: Dustin Becker
ELECTRONIC COPY TO	Chevron	Attn: Anna Avina
ELECTRONIC COPY TO	CRA	Attn: Ian Hull
ELECTRONIC COPY TO	CRA	Attn: Nathan Lee

Questions? Contact your Client Services Representative
Jill M Parker at (717) 656-2300 Ext. 1241

Respectfully Submitted,



Lawrence M. Taylor
Senior Specialist



Analysis Report

2425 New Holland Pike, PO Box 12425, Lancaster, PA 17605-2425 • 717-656-2300 Fax: 717-656-2681 • www.lancasterlabs.com

Sample Description: C-2-W-110928 NA Water
Facility# 90329 BTST
340 Highland Ave-Piedmont T0600101885 C-2

LLI Sample # WW 6425744
LLI Group # 1269281
Account # 10991

Project Name: 90329

Collected: 09/28/2011 12:00 by PH

Chevron

6001 Bollinger Canyon Rd L4310
San Ramon CA 94583

Submitted: 09/30/2011 22:45

Reported: 10/11/2011 18:45

HAP02

CAT No.	Analysis Name	CAS Number	As Received Result	As Received Method Detection Limit*	As Received Limit of Quantitation	Dilution Factor
GC/MS Volatiles						
	SW-846 8260B		ug/l	ug/l	ug/l	
10943	Benzene	71-43-2	190	0.5	1	1
10943	Ethylbenzene	100-41-4	44	0.5	1	1
10943	Methyl Tertiary Butyl Ether	1634-04-4	140	0.5	1	1
10943	Toluene	108-88-3	6	0.5	1	1
10943	Xylene (Total)	1330-20-7	17	0.5	1	1
GC Volatiles						
	SW-846 8015B		ug/l	ug/l	ug/l	
01728	TPH-GRO N. CA water C6-C12	n.a.	4,700	250	500	5
GC Petroleum Hydrocarbons						
	SW-846 8015B		ug/l	ug/l	ug/l	
06609	TPH-DRO CA C10-C28	n.a.	5,900	330	1,000	10

General Sample Comments

State of California Lab Certification No. 2501

All QC is compliant unless otherwise noted. Please refer to the Quality Control Summary for overall QC performance data and associated samples.

Laboratory Sample Analysis Record

CAT No.	Analysis Name	Method	Trial#	Batch#	Analysis Date and Time	Analyst	Dilution Factor
10943	BTEX/MTBE 8260 Water	SW-846 8260B	1	D112782AA	10/05/2011 12:23	Daniel H Heller	1
01163	GC/MS VOA Water Prep	SW-846 5030B	1	D112782AA	10/05/2011 12:23	Daniel H Heller	1
01728	TPH-GRO N. CA water C6-C12	SW-846 8015B	1	11279B07A	10/10/2011 20:35	Marie D John	5
01146	GC VOA Water Prep	SW-846 5030B	1	11279B07A	10/10/2011 20:35	Marie D John	5
06609	TPH-DRO CA C10-C28	SW-846 8015B	1	112760003A	10/04/2011 17:04	Anita M Dale	10
02376	Extraction - Fuel/TPH (Waters)	SW-846 3510C	1	112760003A	10/03/2011 12:15	Roza S Goslawska	1

*=This limit was used in the evaluation of the final result



Analysis Report

2425 New Holland Pike, PO Box 12425, Lancaster, PA 17605-2425 • 717-656-2300 Fax: 717-656-2681 • www.lancasterlabs.com

Sample Description: C-3-W-110928 NA Water
Facility# 90329 BTST
340 Highland Ave-Piedmont T0600101885 C-3

LLI Sample # WW 6425745
LLI Group # 1269281
Account # 10991

Project Name: 90329

Collected: 09/28/2011 11:40 by PH

Chevron

6001 Bollinger Canyon Rd L4310
San Ramon CA 94583

Submitted: 09/30/2011 22:45

Reported: 10/11/2011 18:45

HAP03

CAT No.	Analysis Name	CAS Number	As Received Result	As Received Method Detection Limit*	As Received Limit of Quantitation	Dilution Factor
GC/MS Volatiles						
10943	Benzene	71-43-2	N.D.	0.5	1	1
10943	Ethylbenzene	100-41-4	N.D.	0.5	1	1
10943	Methyl Tertiary Butyl Ether	1634-04-4	N.D.	0.5	1	1
10943	Toluene	108-88-3	N.D.	0.5	1	1
10943	Xylene (Total)	1330-20-7	N.D.	0.5	1	1
GC Volatiles						
01728	TPH-GRO N. CA water C6-C12	n.a.	N.D.	50	100	1
GC Petroleum Hydrocarbons						
06609	TPH-DRO CA C10-C28	n.a.	170	50	110	1

General Sample Comments

State of California Lab Certification No. 2501

All QC is compliant unless otherwise noted. Please refer to the Quality Control Summary for overall QC performance data and associated samples.

Laboratory Sample Analysis Record

CAT No.	Analysis Name	Method	Trial#	Batch#	Analysis Date and Time	Analyst	Dilution Factor
10943	BTEX/MTBE 8260 Water	SW-846 8260B	1	D112782AA	10/05/2011 13:54	Daniel H Heller	1
01163	GC/MS VOA Water Prep	SW-846 5030B	1	D112782AA	10/05/2011 13:54	Daniel H Heller	1
01728	TPH-GRO N. CA water C6-C12	SW-846 8015B	1	11279B07A	10/10/2011 15:00	Marie D John	1
01146	GC VOA Water Prep	SW-846 5030B	1	11279B07A	10/10/2011 15:00	Marie D John	1
06609	TPH-DRO CA C10-C28	SW-846 8015B	1	112760003A	10/05/2011 14:12	Anita M Dale	1
02376	Extraction - Fuel/TPH (Waters)	SW-846 3510C	1	112760003A	10/03/2011 12:15	Roza S Goslawska	1

*=This limit was used in the evaluation of the final result



Analysis Report

2425 New Holland Pike, PO Box 12425, Lancaster, PA 17605-2425 • 717-656-2300 Fax: 717-656-2681 • www.lancasterlabs.com

Sample Description: C-4-W-110928 NA Water
Facility# 90329 BTST
340 Highland Ave-Piedmont T0600101885 C-4

LLI Sample # WW 6425746
LLI Group # 1269281
Account # 10991

Project Name: 90329

Collected: 09/28/2011 11:50 by PH

Chevron

6001 Bollinger Canyon Rd L4310
San Ramon CA 94583

Submitted: 09/30/2011 22:45

Reported: 10/11/2011 18:45

HAP04

CAT No.	Analysis Name	CAS Number	As Received Result	As Received Method Detection Limit*	As Received Limit of Quantitation	Dilution Factor
GC/MS Volatiles						
	SW-846 8260B		ug/l	ug/l	ug/l	
10943	Benzene	71-43-2	N.D.	0.5	1	1
10943	Ethylbenzene	100-41-4	N.D.	0.5	1	1
10943	Methyl Tertiary Butyl Ether	1634-04-4	N.D.	0.5	1	1
10943	Toluene	108-88-3	N.D.	0.5	1	1
10943	Xylene (Total)	1330-20-7	N.D.	0.5	1	1
GC Volatiles						
	SW-846 8015B		ug/l	ug/l	ug/l	
01728	TPH-GRO N. CA water C6-C12	n.a.	N.D.	50	100	1
GC Petroleum Hydrocarbons						
	SW-846 8015B		ug/l	ug/l	ug/l	
06609	TPH-DRO CA C10-C28	n.a.	250	50	110	1

General Sample Comments

State of California Lab Certification No. 2501

All QC is compliant unless otherwise noted. Please refer to the Quality Control Summary for overall QC performance data and associated samples.

Laboratory Sample Analysis Record

CAT No.	Analysis Name	Method	Trial#	Batch#	Analysis Date and Time	Analyst	Dilution Factor
10943	BTEX/MTBE 8260 Water	SW-846 8260B	1	D112782AA	10/05/2011 14:17	Daniel H Heller	1
01163	GC/MS VOA Water Prep	SW-846 5030B	1	D112782AA	10/05/2011 14:17	Daniel H Heller	1
01728	TPH-GRO N. CA water C6-C12	SW-846 8015B	1	11279B07A	10/10/2011 15:26	Marie D John	1
01146	GC VOA Water Prep	SW-846 5030B	1	11279B07A	10/10/2011 15:26	Marie D John	1
06609	TPH-DRO CA C10-C28	SW-846 8015B	1	112760003A	10/04/2011 17:21	Anita M Dale	1
02376	Extraction - Fuel/TPH (Waters)	SW-846 3510C	1	112760003A	10/03/2011 12:15	Roza S Goslawska	1

*=This limit was used in the evaluation of the final result



Analysis Report

2425 New Holland Pike, PO Box 12425, Lancaster, PA 17605-2425 • 717-656-2300 Fax: 717-656-2681 • www.lancasterlabs.com

Page 1 of 1

Sample Description: C-5-W-110928 NA Water
Facility# 90329 BTST
 340 Highland Ave-Piedmont T0600101885 C-5

LLI Sample # WW 6425747
LLI Group # 1269281
Account # 10991

Project Name: 90329

Collected: 09/28/2011 09:15 by PH

Chevron

6001 Bollinger Canyon Rd L4310
 San Ramon CA 94583

Submitted: 09/30/2011 22:45

Reported: 10/11/2011 18:45

HAP05

CAT No.	Analysis Name	CAS Number	As Received Result	As Received Method Detection Limit*	As Received Limit of Quantitation	Dilution Factor
GC/MS Volatiles						
	SW-846 8260B		ug/l	ug/l	ug/l	
10943	Benzene	71-43-2	N.D.	0.5	1	1
10943	Ethylbenzene	100-41-4	N.D.	0.5	1	1
10943	Methyl Tertiary Butyl Ether	1634-04-4	N.D.	0.5	1	1
10943	Toluene	108-88-3	N.D.	0.5	1	1
10943	Xylene (Total)	1330-20-7	N.D.	0.5	1	1
GC Volatiles						
	SW-846 8015B		ug/l	ug/l	ug/l	
01728	TPH-GRO N. CA water C6-C12	n.a.	N.D.	50	100	1
GC Petroleum Hydrocarbons						
	SW-846 8015B		ug/l	ug/l	ug/l	
06609	TPH-DRO CA C10-C28	n.a.	N.D.	50	110	1

General Sample Comments

State of California Lab Certification No. 2501

All QC is compliant unless otherwise noted. Please refer to the Quality Control Summary for overall QC performance data and associated samples.

Laboratory Sample Analysis Record

CAT No.	Analysis Name	Method	Trial#	Batch#	Analysis Date and Time	Analyst	Dilution Factor
10943	BTEX/MTBE 8260 Water	SW-846 8260B	1	D112782AA	10/05/2011 14:39	Daniel H Heller	1
01163	GC/MS VOA Water Prep	SW-846 5030B	1	D112782AA	10/05/2011 14:39	Daniel H Heller	1
01728	TPH-GRO N. CA water C6-C12	SW-846 8015B	1	11279B07A	10/10/2011 15:52	Marie D John	1
01146	GC VOA Water Prep	SW-846 5030B	1	11279B07A	10/10/2011 15:52	Marie D John	1
06609	TPH-DRO CA C10-C28	SW-846 8015B	1	112760003A	10/04/2011 15:25	Anita M Dale	1
02376	Extraction - Fuel/TPH (Waters)	SW-846 3510C	1	112760003A	10/03/2011 12:15	Roza S Goslawska	1

*=This limit was used in the evaluation of the final result



Analysis Report

2425 New Holland Pike, PO Box 12425, Lancaster, PA 17605-2425 • 717-656-2300 Fax: 717-656-2681 • www.lancasterlabs.com

Sample Description: C-6-W-110928 NA Water
Facility# 90329 BTST
 340 Highland Ave-Piedmont T0600101885 C-6

LLI Sample # WW 6425748
LLI Group # 1269281
Account # 10991

Project Name: 90329

Collected: 09/28/2011 09:45 by PH

Chevron

6001 Bollinger Canyon Rd L4310
 San Ramon CA 94583

Submitted: 09/30/2011 22:45

Reported: 10/11/2011 18:45

HAP06

CAT No.	Analysis Name	CAS Number	As Received Result	As Received Method Detection Limit*	As Received Limit of Quantitation	Dilution Factor
GC/MS Volatiles						
	SW-846 8260B		ug/l	ug/l	ug/l	
10943	Benzene	71-43-2	N.D.	0.5	1	1
10943	Ethylbenzene	100-41-4	N.D.	0.5	1	1
10943	Methyl Tertiary Butyl Ether	1634-04-4	N.D.	0.5	1	1
10943	Toluene	108-88-3	N.D.	0.5	1	1
10943	Xylene (Total)	1330-20-7	N.D.	0.5	1	1
GC Volatiles						
	SW-846 8015B		ug/l	ug/l	ug/l	
01728	TPH-GRO N. CA water C6-C12	n.a.	N.D.	50	100	1
GC Petroleum Hydrocarbons						
	SW-846 8015B		ug/l	ug/l	ug/l	
06609	TPH-DRO CA C10-C28	n.a.	N.D.	50	110	1

General Sample Comments

State of California Lab Certification No. 2501

All QC is compliant unless otherwise noted. Please refer to the Quality Control Summary for overall QC performance data and associated samples.

Laboratory Sample Analysis Record

CAT No.	Analysis Name	Method	Trial#	Batch#	Analysis Date and Time	Analyst	Dilution Factor
10943	BTEX/MTBE 8260 Water	SW-846 8260B	1	D112782AA	10/05/2011 15:02	Daniel H Heller	1
01163	GC/MS VOA Water Prep	SW-846 5030B	1	D112782AA	10/05/2011 15:02	Daniel H Heller	1
01728	TPH-GRO N. CA water C6-C12	SW-846 8015B	1	11279B07A	10/10/2011 16:18	Marie D John	1
01146	GC VOA Water Prep	SW-846 5030B	1	11279B07A	10/10/2011 16:18	Marie D John	1
06609	TPH-DRO CA C10-C28	SW-846 8015B	1	112760003A	10/04/2011 15:41	Anita M Dale	1
02376	Extraction - Fuel/TPH (Waters)	SW-846 3510C	1	112760003A	10/03/2011 12:15	Roza S Goslawska	1

*=This limit was used in the evaluation of the final result



Analysis Report

2425 New Holland Pike, PO Box 12425, Lancaster, PA 17605-2425 • 717-656-2300 Fax: 717-656-2681 • www.lancasterlabs.com

Sample Description: A-W-110928 NA Water
Facility# 90329 BTST
340 Highland Ave-Piedmont T0600101885 A

LLI Sample # WW 6425749
LLI Group # 1269281
Account # 10991

Project Name: 90329

Collected: 09/28/2011 10:40 by PH

Chevron

6001 Bollinger Canyon Rd L4310
San Ramon CA 94583

Submitted: 09/30/2011 22:45

Reported: 10/11/2011 18:45

HAP-A

CAT No.	Analysis Name	CAS Number	As Received Result	As Received Method Detection Limit*	As Received Limit of Quantitation	Dilution Factor
GC/MS Volatiles						
10943	Benzene	71-43-2	N.D.	0.5	1	1
10943	Ethylbenzene	100-41-4	N.D.	0.5	1	1
10943	Methyl Tertiary Butyl Ether	1634-04-4	11	0.5	1	1
10943	Toluene	108-88-3	N.D.	0.5	1	1
10943	Xylene (Total)	1330-20-7	N.D.	0.5	1	1
GC Volatiles						
01728	TPH-GRO N. CA water C6-C12	n.a.	N.D.	50	100	1
GC Petroleum Hydrocarbons						
06609	TPH-DRO CA C10-C28	n.a.	87 J	50	100	1

General Sample Comments

State of California Lab Certification No. 2501

All QC is compliant unless otherwise noted. Please refer to the Quality Control Summary for overall QC performance data and associated samples.

Laboratory Sample Analysis Record

CAT No.	Analysis Name	Method	Trial#	Batch#	Analysis Date and Time	Analyst	Dilution Factor
10943	BTEX/MTBE 8260 Water	SW-846 8260B	1	D112782AA	10/05/2011 15:25	Daniel H Heller	1
01163	GC/MS VOA Water Prep	SW-846 5030B	1	D112782AA	10/05/2011 15:25	Daniel H Heller	1
01728	TPH-GRO N. CA water C6-C12	SW-846 8015B	1	11279B07A	10/10/2011 16:43	Marie D John	1
01146	GC VOA Water Prep	SW-846 5030B	1	11279B07A	10/10/2011 16:43	Marie D John	1
06609	TPH-DRO CA C10-C28	SW-846 8015B	1	112760003A	10/04/2011 15:58	Anita M Dale	1
02376	Extraction - Fuel/TPH (Waters)	SW-846 3510C	1	112760003A	10/03/2011 12:15	Roza S Goslawska	1

*=This limit was used in the evaluation of the final result



Analysis Report

2425 New Holland Pike, PO Box 12425, Lancaster, PA 17605-2425 • 717-656-2300 Fax: 717-656-2681 • www.lancasterlabs.com

Page 1 of 1

Sample Description: B-W-110928 NA Water
Facility# 90329 BTST
340 Highland Ave-Piedmont T0600101885 B

LLI Sample # WW 6425750
LLI Group # 1269281
Account # 10991

Project Name: 90329

Collected: 09/28/2011 10:10 by PH

Chevron

6001 Bollinger Canyon Rd L4310
 San Ramon CA 94583

Submitted: 09/30/2011 22:45

Reported: 10/11/2011 18:45

HAP-B

CAT No.	Analysis Name	CAS Number	As Received Result	As Received Method Detection Limit*	As Received Limit of Quantitation	Dilution Factor
GC/MS Volatiles SW-846 8260B						
10943	Benzene	71-43-2	N.D.	0.5	1	1
10943	Ethylbenzene	100-41-4	N.D.	0.5	1	1
10943	Methyl Tertiary Butyl Ether	1634-04-4	3	0.5	1	1
10943	Toluene	108-88-3	N.D.	0.5	1	1
10943	Xylene (Total)	1330-20-7	0.5 J	0.5	1	1
GC Volatiles SW-846 8015B						
01728	TPH-GRO N. CA water C6-C12	n.a.	N.D.	50	100	1
GC Petroleum Hydrocarbons SW-846 8015B						
06609	TPH-DRO CA C10-C28	n.a.	N.D.	50	100	1

General Sample Comments

State of California Lab Certification No. 2501

All QC is compliant unless otherwise noted. Please refer to the Quality Control Summary for overall QC performance data and associated samples.

Laboratory Sample Analysis Record

CAT No.	Analysis Name	Method	Trial#	Batch#	Analysis Date and Time	Analyst	Dilution Factor
10943	BTEX/MTBE 8260 Water	SW-846 8260B	1	D112782AA	10/05/2011 15:47	Daniel H Heller	1
01163	GC/MS VOA Water Prep	SW-846 5030B	1	D112782AA	10/05/2011 15:47	Daniel H Heller	1
01728	TPH-GRO N. CA water C6-C12	SW-846 8015B	1	11279B07A	10/10/2011 17:09	Marie D John	1
01146	GC VOA Water Prep	SW-846 5030B	1	11279B07A	10/10/2011 17:09	Marie D John	1
06609	TPH-DRO CA C10-C28	SW-846 8015B	1	112760003A	10/04/2011 16:15	Anita M Dale	1
02376	Extraction - Fuel/TPH (Waters)	SW-846 3510C	1	112760003A	10/03/2011 12:15	Roza S Goslawska	1

*=This limit was used in the evaluation of the final result



Analysis Report

2425 New Holland Pike, PO Box 12425, Lancaster, PA 17605-2425 • 717-656-2300 Fax: 717-656-2681 • www.lancasterlabs.com

Page 1 of 1

Sample Description: QA-T-110928 NA Water
Facility# 90329 BTST
340 Highland Ave-Piedmont T0600101885 QA

LLI Sample # WW 6425751
LLI Group # 1269281
Account # 10991

Project Name: 90329

Collected: 09/28/2011 08:00

Chevron

Submitted: 09/30/2011 22:45

6001 Bollinger Canyon Rd L4310

Reported: 10/11/2011 18:45

San Ramon CA 94583

HAPQA

CAT No.	Analysis Name	CAS Number	As Received Result	As Received Method Detection Limit*	As Received Limit of Quantitation	Dilution Factor
GC/MS Volatiles SW-846 8260B						
10943	Benzene	71-43-2	N.D.	0.5	1	1
10943	Ethylbenzene	100-41-4	N.D.	0.5	1	1
10943	Methyl Tertiary Butyl Ether	1634-04-4	N.D.	0.5	1	1
10943	Toluene	108-88-3	N.D.	0.5	1	1
10943	Xylene (Total)	1330-20-7	N.D.	0.5	1	1
GC Volatiles SW-846 8015B						
01728	TPH-GRO N. CA water C6-C12	n.a.	N.D.	50	100	1

General Sample Comments

State of California Lab Certification No. 2501

All QC is compliant unless otherwise noted. Please refer to the Quality Control Summary for overall QC performance data and associated samples.

Laboratory Sample Analysis Record

CAT No.	Analysis Name	Method	Trial#	Batch#	Analysis Date and Time	Analyst	Dilution Factor
10943	BTEX/MTBE 8260 Water	SW-846 8260B	1	D112782AA	10/05/2011 11:38	Daniel H Heller	1
01163	GC/MS VOA Water Prep	SW-846 5030B	1	D112782AA	10/05/2011 11:38	Daniel H Heller	1
01728	TPH-GRO N. CA water C6-C12	SW-846 8015B	1	11279B07A	10/10/2011 12:51	Marie D John	1
01146	GC VOA Water Prep	SW-846 5030B	1	11279B07A	10/10/2011 12:51	Marie D John	1

*=This limit was used in the evaluation of the final result

Quality Control Summary

 Client Name: Chevron
 Reported: 10/11/11 at 06:45 PM

Group Number: 1269281

Matrix QC may not be reported if insufficient sample or site-specific QC samples were not submitted. In these situations, to demonstrate precision and accuracy at a batch level, a LCS/LCSD was performed, unless otherwise specified in the method.

All Inorganic Initial Calibration and Continuing Calibration Blanks met acceptable method criteria unless otherwise noted on the Analysis Report.

Laboratory Compliance Quality Control

<u>Analysis Name</u>	<u>Blank Result</u>	<u>Blank MDL**</u>	<u>Blank LOQ</u>	<u>Report Units</u>	<u>LCS %REC</u>	<u>LCSD %REC</u>	<u>LCS/LCSD Limits</u>	<u>RPD</u>	<u>RPD Max</u>
Batch number: D112782AA	Sample number(s): 6425744-6425751								
Benzene	N.D.	0.5	1	ug/l	103		79-120		
Ethylbenzene	N.D.	0.5	1	ug/l	90		79-120		
Methyl Tertiary Butyl Ether	N.D.	0.5	1	ug/l	95		76-120		
Toluene	N.D.	0.5	1	ug/l	93		79-120		
Xylene (Total)	N.D.	0.5	1	ug/l	93		80-120		
Batch number: 11279B07A	Sample number(s): 6425744-6425751								
TPH-GRO N. CA water C6-C12	N.D.	50.	100	ug/l	109	109	75-135	0	30
Batch number: 112760003A	Sample number(s): 6425744-6425750								
TPH-DRO CA C10-C28	N.D.	32.	100	ug/l	89	89	56-122	0	20

Sample Matrix Quality Control

Unspiked (UNSPK) = the sample used in conjunction with the matrix spike
 Background (BKG) = the sample used in conjunction with the duplicate

<u>Analysis Name</u>	<u>MS %REC</u>	<u>MSD %REC</u>	<u>MS/MSD Limits</u>	<u>RPD</u>	<u>RPD MAX</u>	<u>BKG Conc</u>	<u>DUP Conc</u>	<u>DUP RPD</u>	<u>Dup RPD Max</u>
Batch number: D112782AA	Sample number(s): 6425744-6425751 UNSPK: 6425744								
Benzene	114 (2)	218 (2)	80-126	9	30				
Ethylbenzene	109	137*	71-134	8	30				
Methyl Tertiary Butyl Ether	78 (2)	136 (2)	72-126	7	30				
Toluene	92	100	80-125	6	30				
Xylene (Total)	94	102	79-125	6	30				

Surrogate Quality Control

Surrogate recoveries which are outside of the QC window are confirmed unless attributed to dilution or otherwise noted on the Analysis Report.

Analysis Name: UST VOCs by 8260B - Water

Batch number: D112782AA

	Dibromofluoromethane	1,2-Dichloroethane-d4	Toluene-d8	4-Bromofluorobenzene
6425744	100	101	97	111
6425745	103	97	93	97
6425746	105	98	94	97

*- Outside of specification

** - This limit was used in the evaluation of the final result for the blank

- (1) The result for one or both determinations was less than five times the LOQ.
- (2) The unspiked result was more than four times the spike added.

Quality Control Summary

Client Name: Chevron
Reported: 10/11/11 at 06:45 PM

Group Number: 1269281

Surrogate Quality Control

6425747	103	102	92	97
6425748	105	99	93	97
6425749	104	98	93	98
6425750	105	98	92	97
6425751	105	100	93	96
Blank	104	102	92	97
LCS	103	102	92	101
MS	96	95	98	116*
MSD	93	96	99	112

Limits: 80-116 77-113 80-113 78-113

Analysis Name: TPH-GRO N. CA water C6-C12
Batch number: 11279B07A
Trifluorotoluene-F

6425744	113
6425745	98
6425746	98
6425747	99
6425748	97
6425749	96
6425750	97
6425751	98
Blank	99
LCS	109
LCSD	109

Limits: 63-135

Analysis Name: TPH-DRO CA C10-C28
Batch number: 112760003A
Orthoterphenyl

6425744	118
6425745	97
6425746	95
6425747	98
6425748	93
6425749	92
6425750	95
Blank	94
LCS	90
LCSD	90

Limits: 59-131

*- Outside of specification

** - This limit was used in the evaluation of the final result for the blank

- (1) The result for one or both determinations was less than five times the LOQ.
- (2) The unspiked result was more than four times the spike added.

092911 07

CHAIN OF CUSTODY FORM

Chevron Environmental Management Company ■ 6111 Bollinger Canyon Rd. ■ San Ramon, CA 94583 COC | of |

Chevron Site Number: 90329 Chevron Site Global ID: T0600101885 Chevron Site Address: 340 Highland Ave., Piedmont, CA Chevron PM: DAVE PATTEN Chevron PM Phone No.: (925)543-1740 <input checked="" type="checkbox"/> Retail and Terminal Business Unit (RTBU) Job <input checked="" type="checkbox"/> Construction/Retail Job	Chevron Consultant: CRA Address: 5900 Hollis St. Suite A Emeryville, CA Consultant Contact: Nathan Lee Consultant Phone No. 510-420-3333 Consultant Project No. 110928-PA1 Sampling Company: Blaine Tech Services Sampled By (Print): Patrick Hamer Sampler Signature: <i>[Signature]</i>	ANALYSES REQUIRED H H HVOC <input type="checkbox"/> OXYGENATES <input type="checkbox"/> HC SCREEN <input type="checkbox"/> ORO <input type="checkbox"/> DRO <input checked="" type="checkbox"/> GRO <input checked="" type="checkbox"/> MTBE <input type="checkbox"/> BTEX <input type="checkbox"/> GRO <input checked="" type="checkbox"/> MTBE <input type="checkbox"/> Ca, Fe, K, Mg, Mn, Na TITLE 22 METALS <input type="checkbox"/> ALKALINITY <input type="checkbox"/> OIL & GREASE <input type="checkbox"/> TRPH <input type="checkbox"/> ETHANOL <input type="checkbox"/> TPH-D <input type="checkbox"/>	Preservation Codes H = HCL T = Thiosulfate N = HNO ₃ B = NaOH S = H ₂ SO ₄ O = Other Acc# 10991 Cap# 1269281 Sample# 6425744-51
--	---	---	--

Charge Code: NWRBTB-0090329-0-OML NWRBTB 00SITE NUMBER-0- WBS (WBS ELEMENTS: SITE ASSESSMENT: A1L REMEDIATION IMPLEMENTATION: R5L SITE MONITORING: OML OPERATION MAINTENANCE & MONITORING: M1L THIS IS A LEGAL DOCUMENT. ALL FIELDS MUST BE FILLED OUT CORRECTLY AND COMPLETELY.	Lancaster Laboratories <input checked="" type="checkbox"/> Lancaster, PA Lab Contact: Jill Parker 2425 New Holland Pike, Lancaster, PA 17601 Phone No: (717)656-2300	Other Lab Temp. Blank Check Time Temp. 4°C 500 4°C 1000 4°C 1100 4°C 1200
---	--	--

SAMPLE ID				Sample Time	# of Containers	Container Type	ANALYSES REQUIRED												Notes/Comments
Field Point Name	Matrix	Top Depth	Date (yyymmdd)				EPA 8260B/GC/MS	TPH-G	EPA 8015B	EPA 8021B	EPA 6010	EPA 6010/7000	EPA 150.1	SM2510B	EPA 418.1	EPA 8260	EPA 8015		
C-2	W		110928	1200	8	HCL VOA, Emul AGS	X	X											
C-3				1140			X	X											
C-4				1150			X	X											
C-5				0915			X	X											
C-6				0945			X	X											
A				1040			X	X											
B				1010			X	X											
QA	T			0800	2	HCL VOA	X	X											

Relinquished By: <i>[Signature]</i> Company: BTS Date/Time: 9/28/11 1745	Relinquished To: <i>[Signature]</i> Company: BTS Date/Time: 9/28/11 1745	Turnaround Time: Standard <input checked="" type="checkbox"/> 24 Hours <input type="checkbox"/> 48 hours <input type="checkbox"/> 72 Hours <input type="checkbox"/> Other <input type="checkbox"/>
Relinquished By: <i>[Signature]</i> Company: BTS Date/Time: 9/29/11 1330	Relinquished To: <i>[Signature]</i> Company: CEI Date/Time: 9/29/11 1330	Sample Integrity: (Check by lab on arrival) Intact: <input checked="" type="checkbox"/> On Ice: <input checked="" type="checkbox"/> Temp: 1.5-4.8 COC #
Relinquished By: <i>[Signature]</i> Company: LLI Date/Time: 29SEP11 1636	Relinquished To: <i>[Signature]</i> Company: FEDEX	

[Signature] 9/30/11 2245

Explanation of Symbols and Abbreviations

The following defines common symbols and abbreviations used in reporting technical data:

RL	Reporting Limit	BMQL	Below Minimum Quantitation Level
N.D.	none detected	MPN	Most Probable Number
TNTC	Too Numerous To Count	CP Units	cobalt-chloroplatinate units
IU	International Units	NTU	nephelometric turbidity units
umhos/cm	micromhos/cm	ng	nanogram(s)
C	degrees Celsius	F	degrees Fahrenheit
meq	milliequivalents	lb.	pound(s)
g	gram(s)	kg	kilogram(s)
ug	microgram(s)	mg	milligram(s)
ml	milliliter(s)	l	liter(s)
m3	cubic meter(s)	ul	microliter(s)
<	less than - The number following the sign is the <u>limit of quantitation</u> , the smallest amount of analyte which can be reliably determined using this specific test.		
>	greater than		
J	estimated value – The result is \geq the Method Detection Limit (MDL) and $<$ the Limit of Quantitation (LOQ).		
ppm	parts per million - One ppm is equivalent to one milligram per kilogram (mg/kg), or one gram per million grams. For aqueous liquids, ppm is usually taken to be equivalent to milligrams per liter (mg/l), because one liter of water has a weight very close to a kilogram. For gases or vapors, one ppm is equivalent to one microliter of gas per liter of gas.		
ppb	parts per billion		
Dry weight basis	Results printed under this heading have been adjusted for moisture content. This increases the analyte weight concentration to approximate the value present in a similar sample without moisture. All other results are reported on an as-received basis.		

U.S. EPA CLP Data Qualifiers:

Organic Qualifiers	Inorganic Qualifiers
A TIC is a possible aldol-condensation product	B Value is $<$ CRDL, but \geq IDL
B Analyte was also detected in the blank	E Estimated due to interference
C Pesticide result confirmed by GC/MS	M Duplicate injection precision not met
D Compound quantitated on a diluted sample	N Spike sample not within control limits
E Concentration exceeds the calibration range of the instrument	S Method of standard additions (MSA) used for calculation
N Presumptive evidence of a compound (TICs only)	U Compound was not detected
P Concentration difference between primary and confirmation columns $>$ 25%	W Post digestion spike out of control limits
U Compound was not detected	* Duplicate analysis not within control limits
X,Y,Z Defined in case narrative	+ Correlation coefficient for MSA $<$ 0.995

Analytical test results meet all requirements of NELAC unless otherwise noted under the individual analysis.

Measurement uncertainty values, as applicable, are available upon request.

Tests results relate only to the sample tested. Clients should be aware that a critical step in a chemical or microbiological analysis is the collection of the sample. Unless the sample analyzed is truly representative of the bulk of material involved, the test results will be meaningless. If you have questions regarding the proper techniques of collecting samples, please contact us. We cannot be held responsible for sample integrity, however, unless sampling has been performed by a member of our staff. This report shall not be reproduced except in full, without the written approval of the laboratory.

WARRANTY AND LIMITS OF LIABILITY - In accepting analytical work, we warrant the accuracy of test results for the sample as submitted. THE FOREGOING EXPRESS WARRANTY IS EXCLUSIVE AND IS GIVEN IN LIEU OF ALL OTHER WARRANTIES, EXPRESSED OR IMPLIED. WE DISCLAIM ANY OTHER WARRANTIES, EXPRESSED OR IMPLIED, INCLUDING A WARRANTY OF FITNESS FOR PARTICULAR PURPOSE AND WARRANTY OF MERCHANTABILITY. IN NO EVENT SHALL LANCASTER LABORATORIES BE LIABLE FOR INDIRECT, SPECIAL, CONSEQUENTIAL, OR INCIDENTAL DAMAGES INCLUDING, BUT NOT LIMITED TO, DAMAGES FOR LOSS OF PROFIT OR GOODWILL REGARDLESS OF (A) THE NEGLIGENCE (EITHER SOLE OR CONCURRENT) OF LANCASTER LABORATORIES AND (B) WHETHER LANCASTER LABORATORIES HAS BEEN INFORMED OF THE POSSIBILITY OF SUCH DAMAGES. We accept no legal responsibility for the purposes for which the client uses the test results. No purchase order or other order for work shall be accepted by Lancaster Laboratories which includes any conditions that vary from the Standard Terms and Conditions, and Lancaster hereby objects to any conflicting terms contained in any acceptance or order submitted by client.