

PACIFIC
ENVIRONMENTAL
GROUP, INC.

01

RH
Jub

April 16, 1991
Project 330-06.11

Mr. John Rogers
Alameda County
Public Works Room 144
399 Elmhurst
Hayward, California 94544

Re: Encroachment Request

ARCO

Dear Mr. Rogers:

Pacific Environmental Group, Inc. (PACIFIC) has been contracted by ARCO Products Company (ARCO) to conduct a subsurface hydrogeologic investigation at the ARCO service station located at 17601 Hesperian Boulevard, San Lorenzo, (Figure 1). The investigation is being done at the request of the California Regional Water Quality Control Board.

This letter serves to formally request permission for encroachment onto County of Alameda (County) right-of-way in San Lorenzo, California. Permission is requested for the purposes of installing, maintaining, and monitoring three groundwater monitoring wells. The wells are necessary to assess the extent of hydrocarbons in groundwater.

The well locations are proposed on Figure 2 and are contingent upon the clearance of all overhead and underground utilities. Clearance of any potential underground hazards will be obtained from Underground Service Alert before any work is performed.

The proposed wells are to be constructed by a state-licensed drilling subcontractor in a manner similar to that depicted on Figure 3. They will be completed by inserting 3-inch diameter PVC casing into an 8-inch diameter borehole drilled to an approximate depth of 30 feet. Following well completion, a locking cap and 12-inch diameter traffic-proof concrete vault box will be installed to secure the well. The vault box will be finished flush with the ground surface and its appearance will resemble that of a small manhole. The procedure for installation per well takes

approximately 6 to 8 hours. If there is a specific time period in which the County prefers work to be performed, PACIFIC would be happy to accommodate those requirements.

After installation, the wells will need to be monitored on a periodic basis (i.e., quarterly). The procedure to sample each well takes approximately 1/2-hour to 1 hour with the use of a pick-up truck supplied with various pumps and hoses. Again, PACIFIC would be happy to accommodate specific time periods for sampling procedures to take place.

When the wells are no longer needed they will be properly abandoned according to Alameda County guidelines as shown on Figure 4. All work will be performed at the expense of ARCO.

Enclosed with this letter is a completed Application for Permit to do Work, a check in the amount of \$106.05 for the inspection and permit fees, and approved Alameda County Flood Control well construction permits. The required \$3000 cash bond will be supplied by ARCO after approval of the encroachment permit. ARCO will be the owner of the wells, therefore, the permit should be issued in their name. Once the permit has been approved, please send it to PACIFIC to my attention. I will send a copy to the correct ARCO engineer for their files.

As liaison for ARCO, please direct your questions and correspondence to me. PACIFIC and ARCO appreciate your consideration of this request and look forward to working with you on this matter. If you need additional information or have any questions, please call.

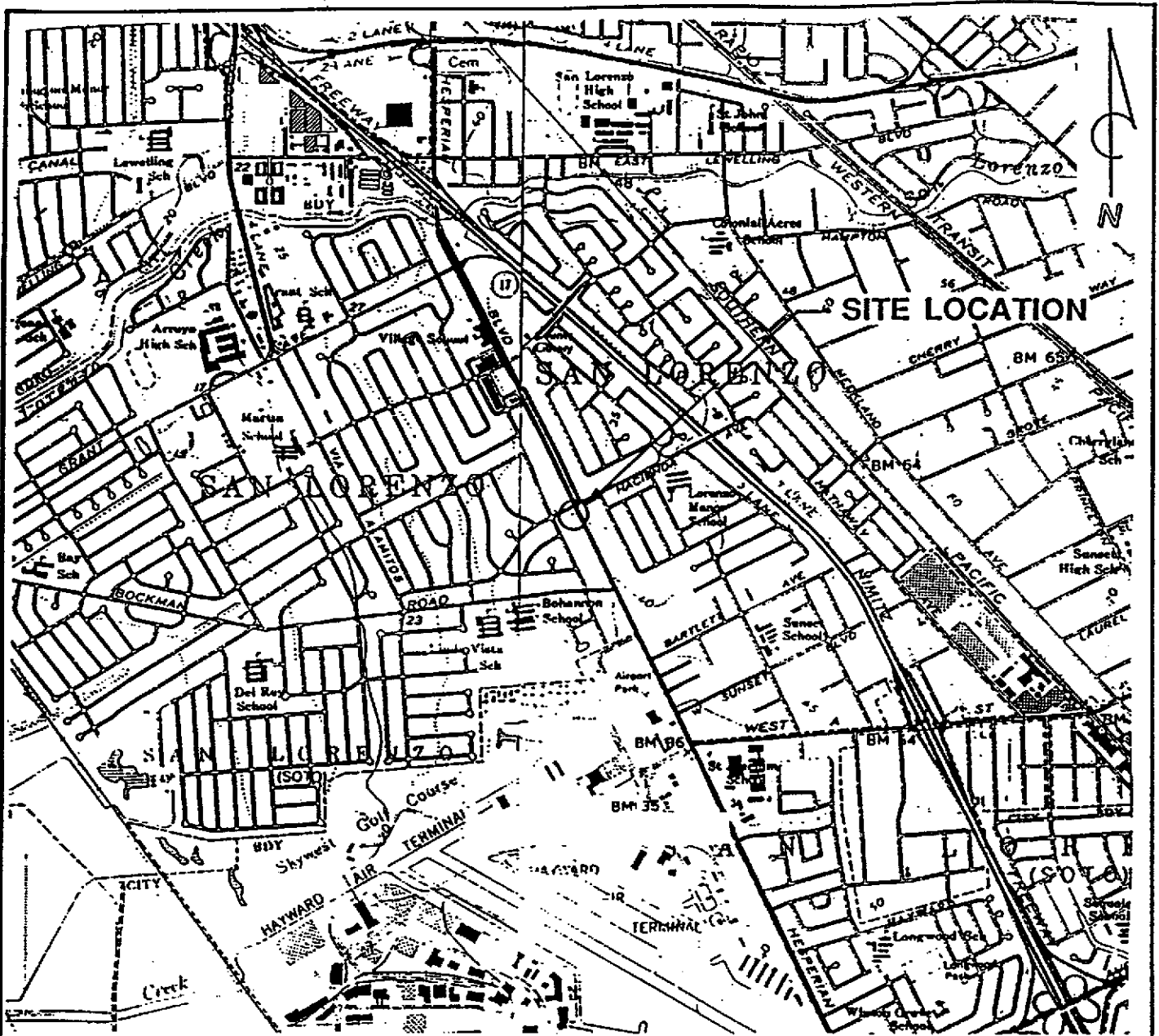
Sincerely,

Pacific Environmental Group, Inc.



Rhonda Barrick
Staff Technician

cc: Chuck Carmel, ARCO Products Company
Pamela Evans, Alameda County Environmental Health
Richard Hiatt, RWQCB - S.F. Bay Region

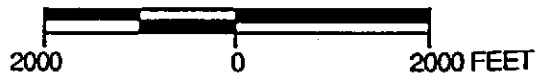


QUADRANGLE LOCATIONS

REFERENCE:

USGS 7.5 MIN. TOPOGRAPHIC MAP
 TITLED: HAYWARD, CALIFORNIA
 DATED: 1959 REVISED: 1980
 TITLED: SAN LEANDRO, CALIFORNIA
 DATED: 1959 REVISED: 1980

SCALE



PACIFIC ENVIRONMENTAL GROUP, INC.

ARCO SERVICE STATION #0608
 17601 Hesperian Boulevard
 San Lorenzo, California

SITE LOCATION MAP

FIGURE:

1

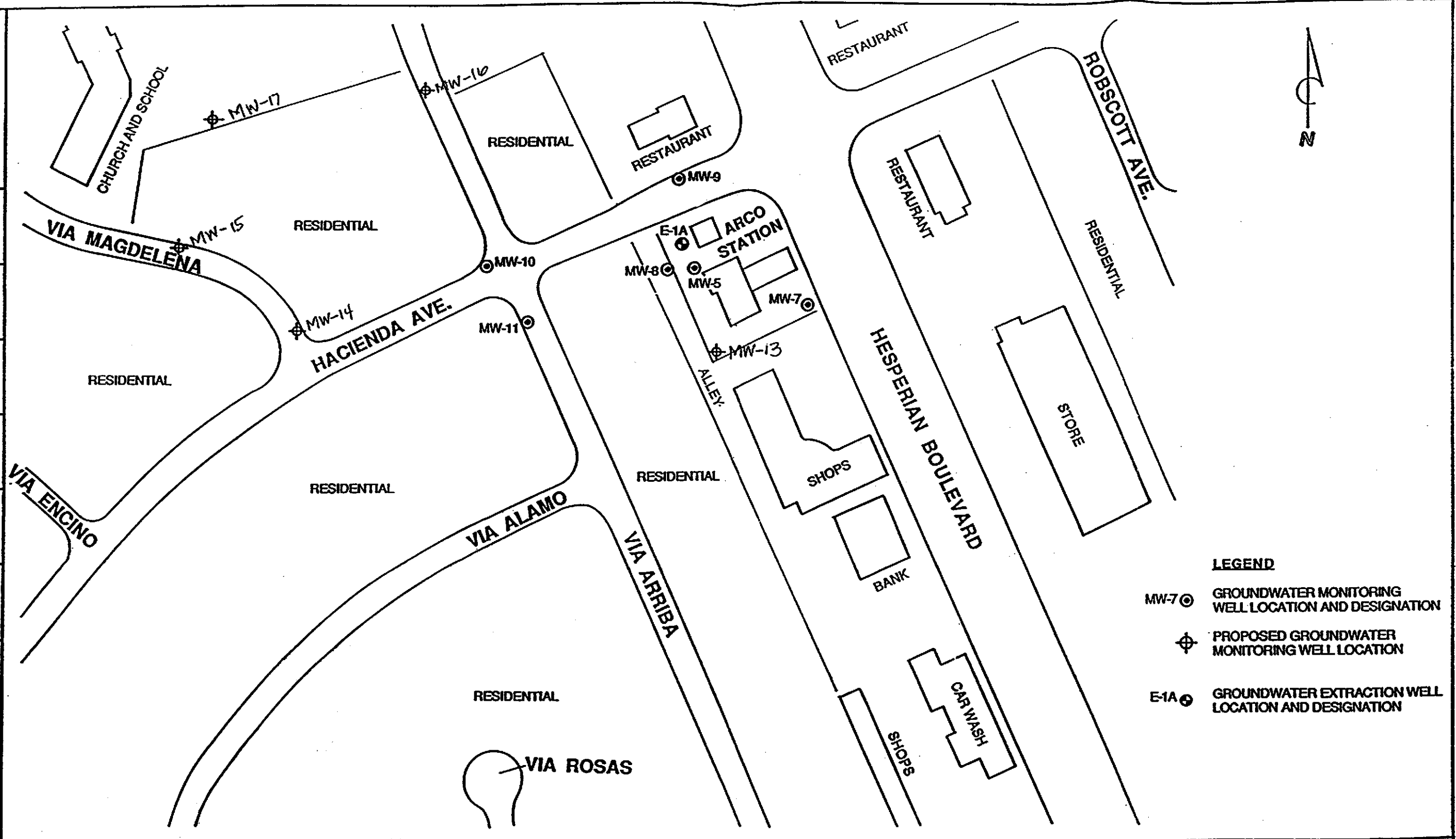
PROJECT:

330-06.11

PROJECT NUMBER

DRAWN BY
DATE/NUMBER

REVISIONS

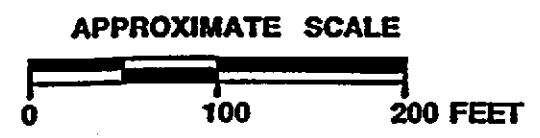


LEGEND

- MW-7 ⊙ GROUNDWATER MONITORING WELL LOCATION AND DESIGNATION
- ⊕ PROPOSED GROUNDWATER MONITORING WELL LOCATION
- E-1A ⊙ GROUNDWATER EXTRACTION WELL LOCATION AND DESIGNATION



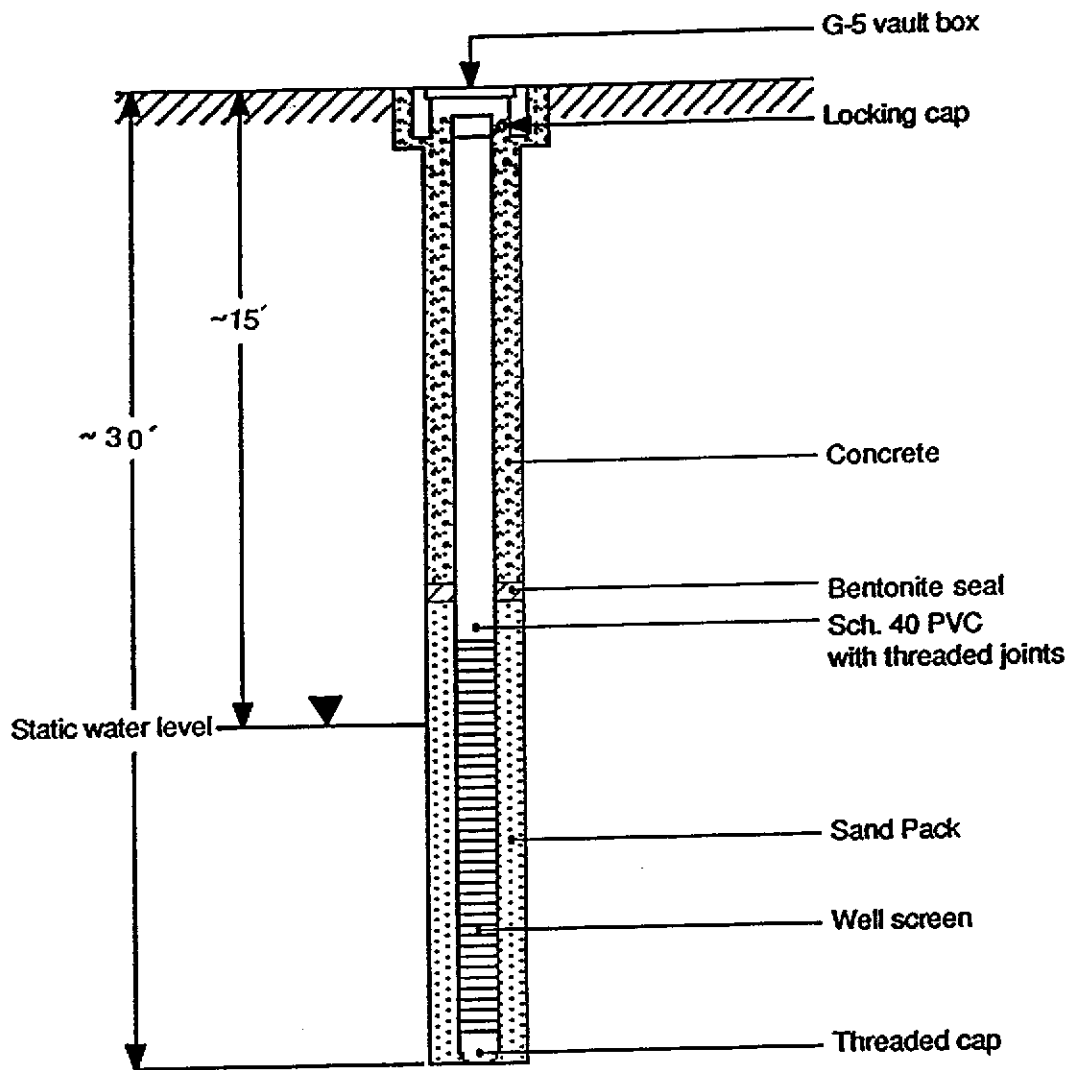
PACIFIC ENVIRONMENTAL GROUP, INC.



ARCO SERVICE STATION #0608
17601 Hesperian Boulevard
San Lorenzo, California

PROPOSED WELL LOCATION

FIGURE :
2
PROJECT:
330-06.10



Not to Scale

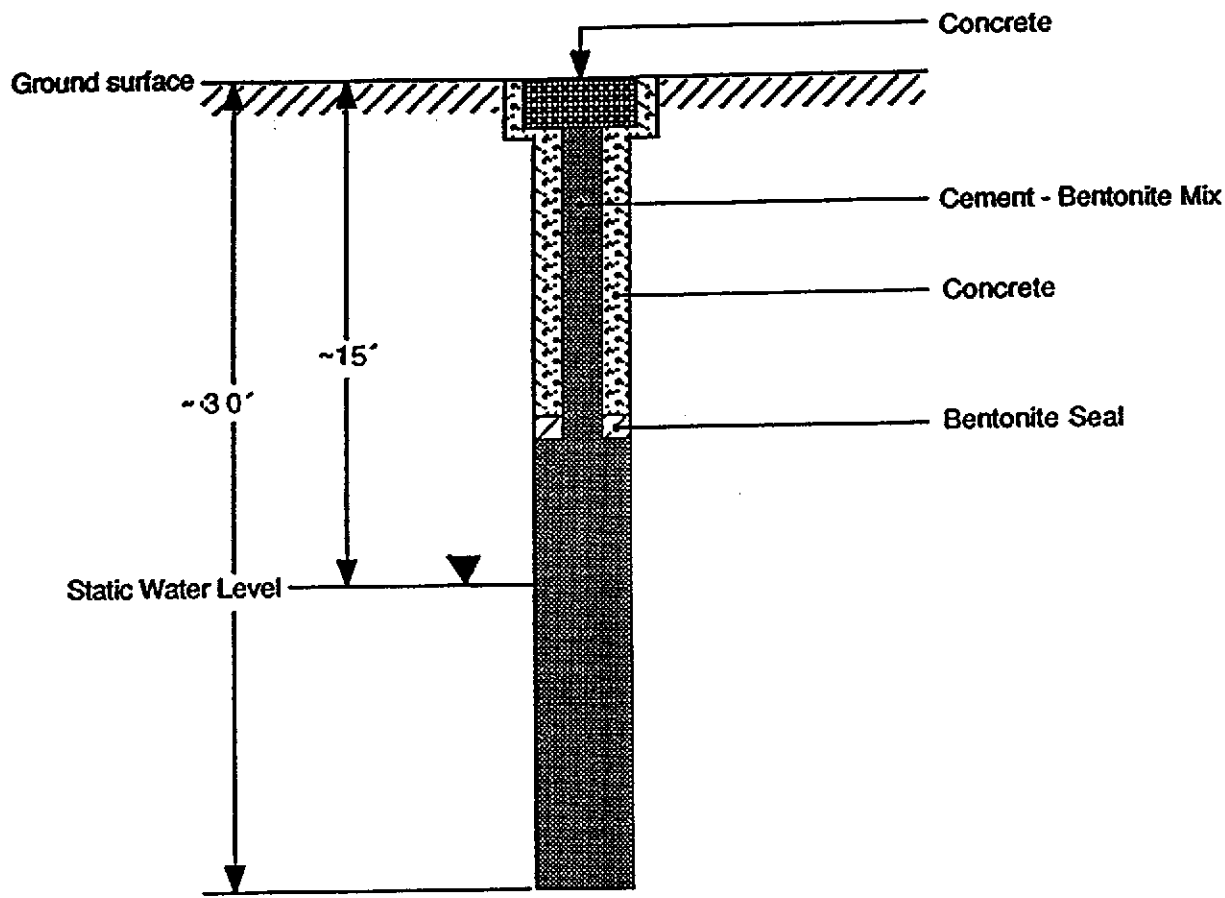


PACIFIC
ENVIRONMENTAL
GROUP, INC.

ARCO SERVICE STATION #0608
17601 Hesperian Boulevard
San Lorenzo, California

WELL DETAIL

FIGURE:
3
PROJECT:
330-06.11



NOT TO SCALE



PACIFIC
ENVIRONMENTAL
GROUP, INC.

ARCO SERVICE STATION #0608
17601 Hesperian Boulevard
San Lorenzo, California

WELL ABANDONMENT DETAIL

FIGURE:
4
PROJECT:
330-06.11



MW-B -
MW-17

Project 330-06.11

ALAMEDA COUNTY FLOOD CONTROL AND WATER CONSERVATION DISTRICT

5997 PARKSIDE DRIVE PLEASANTON, CALIFORNIA 94566 (415) 484-2600

GROUNDWATER PROTECTION ORDINANCE PERMIT APPLICATION

FOR APPLICANT TO COMPLETE

FOR OFFICE USE

1) LOCATION OF PROJECT For Arco Service Station
@ 17601 Hesperian Blvd
San Lorenzo, Ca

PERMIT NUMBER 91198
LOCATION NUMBER _____

2) CLIENT
Name Arco Products Co
Address PO BOX 5811 Phone _____
City San Mateo, Ca Zip 94402

PERMIT CONDITIONS

Circled Permit Requirements Apply

3) APPLICANT
Name Pacific Environmental Group, Inc.
Address 101 CIVIL CENTER #202 Phone (408) 984-6530
City Santa Clara, Ca Zip 95050

A. GENERAL

1. A permit application should be submitted so as to arrive at the Zone 7 office five days prior to proposed starting date.
2. Submit to Zone 7 within 60 days after completion of permitted work the original Department of Water Resources Water Well Drillers Report or equivalent for well projects, or drilling logs and location sketch for geotechnical projects.
3. Permit is void if project not begun within 90 days of approval date.

B. WATER WELLS, INCLUDING PIEZOMETERS

1. Minimum surface seal thickness is two inches of cement grout placed by tremie.
2. Minimum seal depth is 50 feet for municipal and industrial wells or 20 feet for domestic, irrigation, and monitoring wells unless a lesser depth is specially approved.

4) DESCRIPTION OF PROJECT
Water Well Construction Geotechnical Investigation _____
Cathodic Protection _____ General _____
Well Destruction _____ Contamination _____

C. GEOTECHNICAL. Backfill bore hole with compacted cuttings or heavy bentonite and upper two feet with compacted material. In areas of known or suspected contamination, tremied cement grout shall be used in place of compacted cuttings.

5) PROPOSED WATER WELL USE
Domestic _____ Industrial _____ Irrigation _____
Municipal _____ Monitoring Other _____

D. CATHODIC. Fill hole above anode zone with concrete placed by tremie.

6) PROPOSED CONSTRUCTION
Drilling Method:
Mud Rotary _____ Air Rotary _____ Auger
Cable _____ Other _____

E. WELL DESTRUCTION. See attached.

DRILLER'S LICENSE NO. C-57 554979

WELL PROJECTS
Drill Hole Diameter 8 in. Maximum _____
Casing Diameter 2 in. Depth 30 ft.
Surface Seal Depth 15 ft. Number 5

GEOTECHNICAL PROJECTS
Number of Borings _____ Maximum _____
Hole Diameter _____ in. Depth _____ ft.

7) ESTIMATED STARTING DATE June 3, 1991
ESTIMATED COMPLETION DATE June 4, 1991 > pending encroachment

8) I hereby agree to comply with all requirements of this permit and Alameda County Ordinance No. 73-68.

Approved Wyman Hong Date 11 Apr 91
Wyman Hong

APPLICANT'S SIGNATURE Florida Carrick Date 4-5-91
for Arco

PHONE: 881-6252

DATE 4/16/91

APPLICATION for PERMIT TO DO WORK

(IN ACCORDANCE WITH CHAPTER 1 OF TITLE 5 OF THE ALAMEDA COUNTY ORDINANCE CODE)

An ordinance providing for the protection of public highways and rights of way thereof; regulating the use thereof and the manner in which the same may be altered, excavated under, obstructed or encroached upon; and providing penalties for the violation of the provisions thereof.

The undersigned hereby applies for permission to To construct 3 groundwater monitoring wells, two of which will be placed on Via Magdalena & one on Via Arriba in San Lorenzo. The attached map shows the proposed well locations. These wells are needed to fully assess potential hydrocarbons in groundwater.

Length of Excavation < 1 Lin. Ft. Width 8" Ft. Depth ~ 30 Ft. Permit valid until _____

ROAD NAME VIA Magdalena & Via Arriba Township _____

List other permits required by law. Alameda County Flood Control Well Construction Permit

Pacific Environmental Group, Inc. for ARCO (Pacific's) 1601 Civic Center #202 Santa Clara, Ca 95050
NAME OF APPLICANT CITY ZIP CODE

ADDRESS _____ TELEPHONE NUMBER _____ SIGNATURE OF APPLICANT Thomas Barwick for ARCO

Investigated By _____ Date _____

Remarks: _____

		LIST OF CHARGES	
Permit Fee _____	\$10.00	Each Permit _____	\$10.00
_____	_____	Where a field investigation is necessary before issuance of permit, a minimum charge of _____	\$20.00
Inspection Fee _____	_____	For inspection of work after permit is issued, where such inspection is necessary, a minimum charge of _____	\$20.00
Bond Required _____	_____	Where the charge for inspection exceeds the minimum amounts shown, the charge shall cover all the necessary expenses of the inspection.	
TOTAL _____	_____	Receipt No. _____	

Where no maps or plats are furnished with this application, a sketch of the proposed work, showing location, name of road and other necessary information, must be made on a separate sheet, in triplicate.

APPROVED FOR ISSUANCE
DIRECTOR OF PUBLIC WORKS AND ROAD COMMISSIONER

BY _____ DATE _____