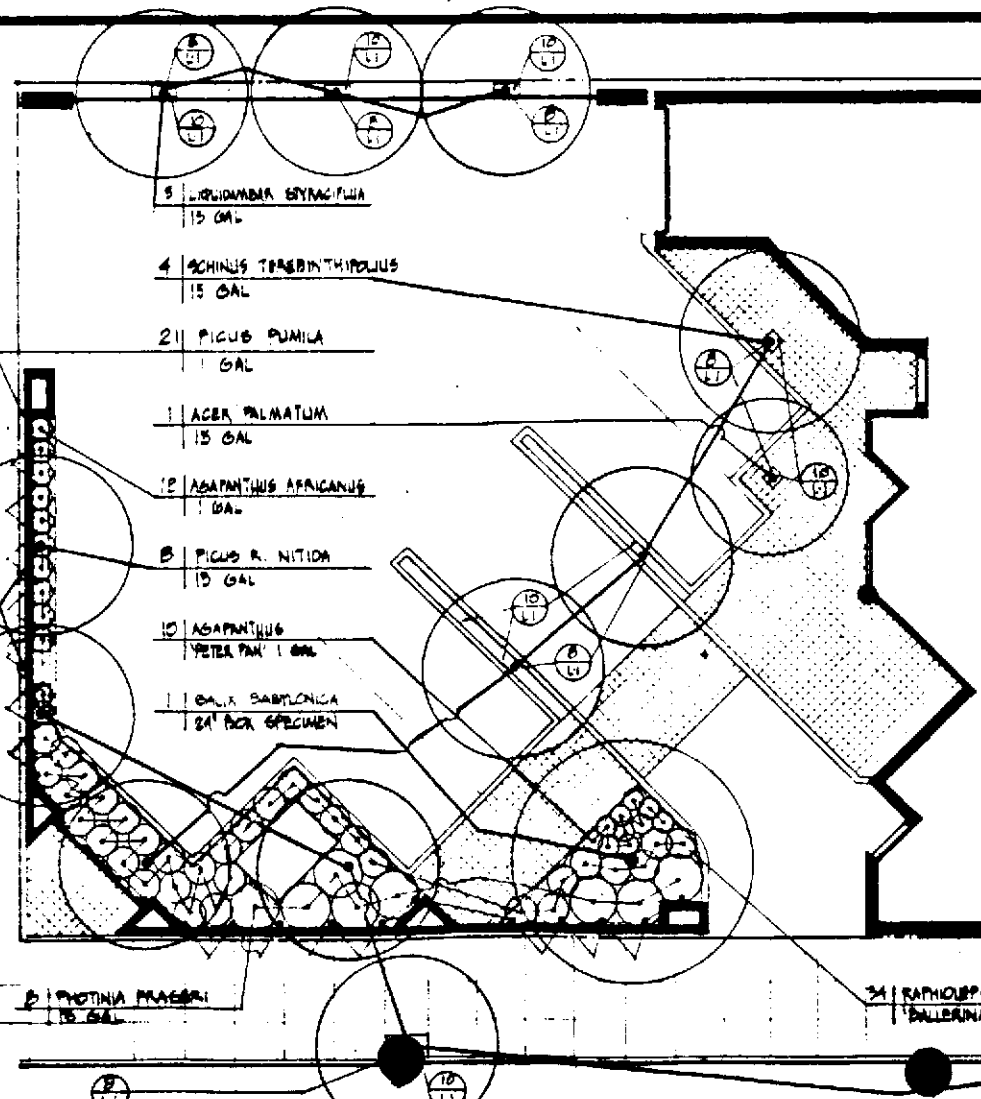
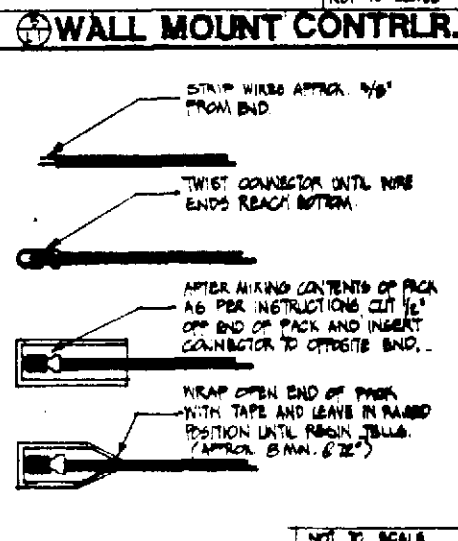
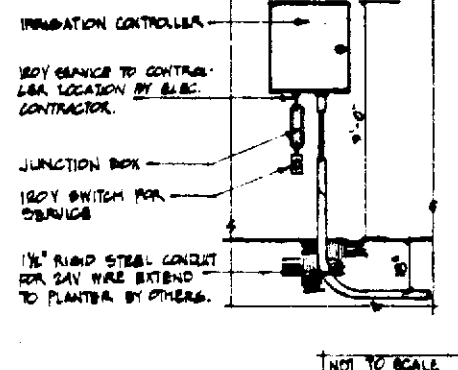
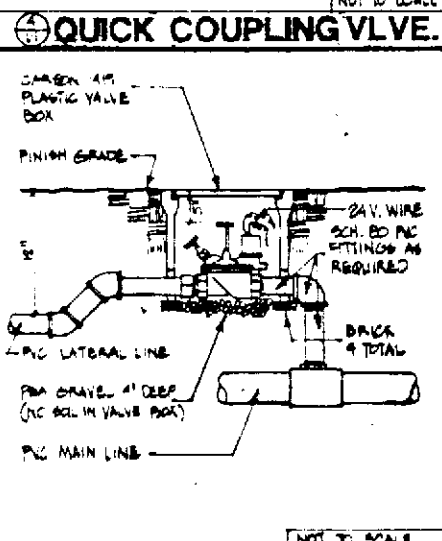
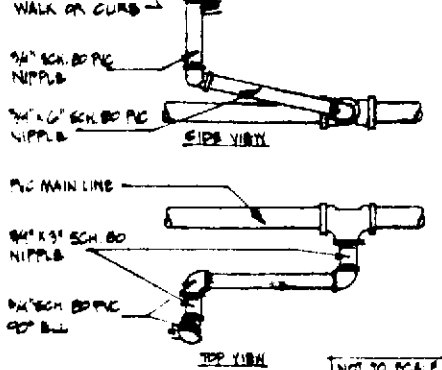
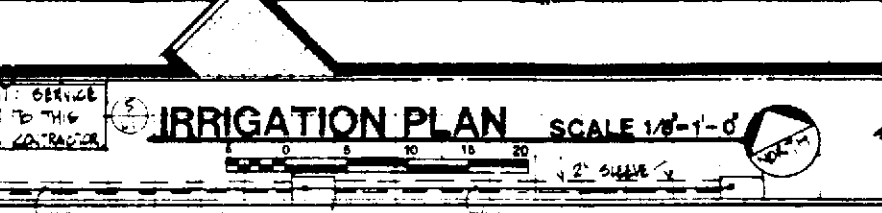
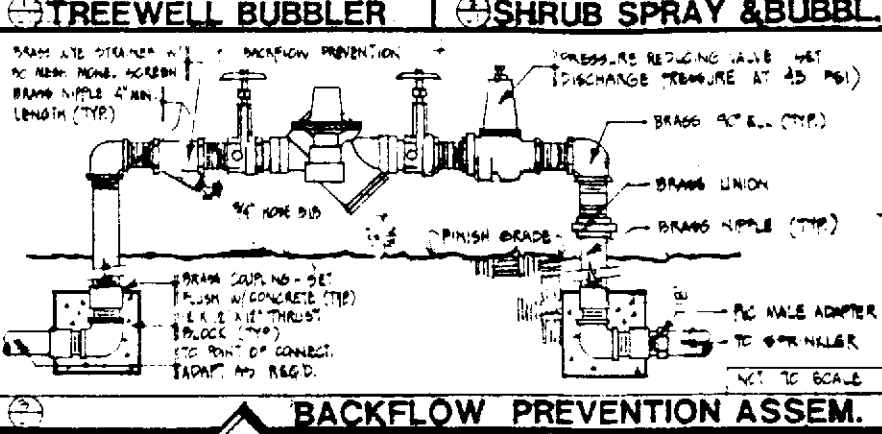
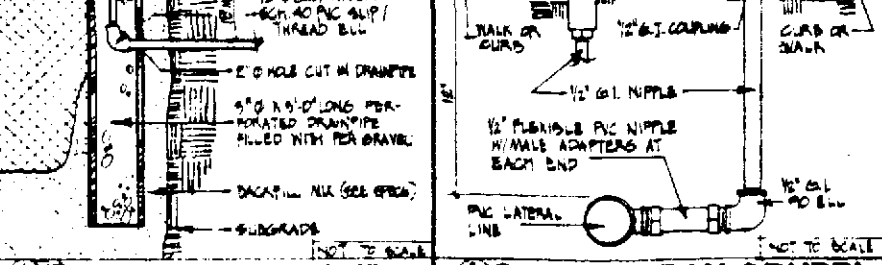
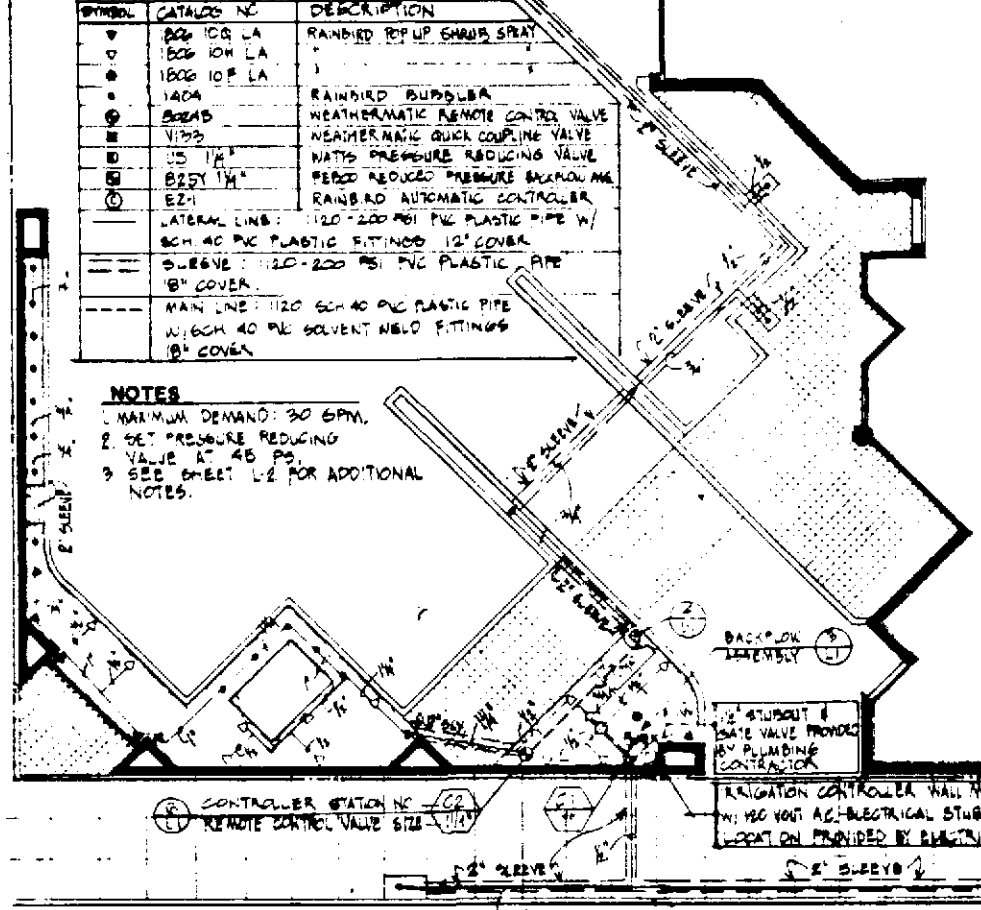


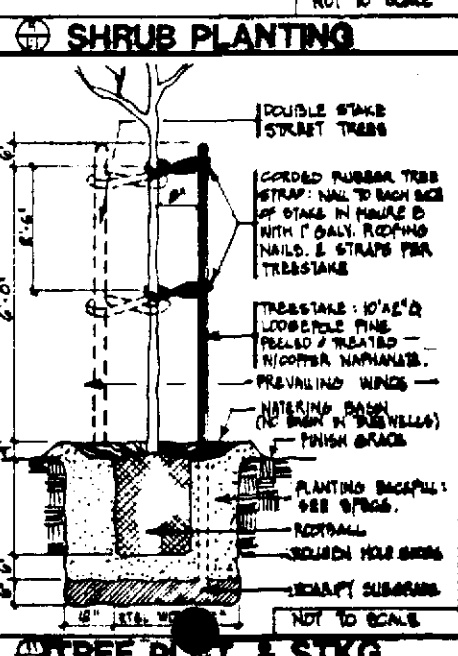
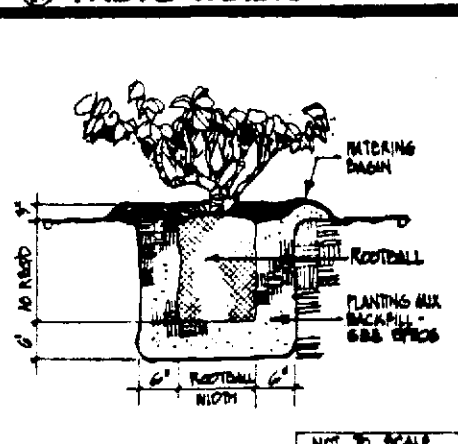
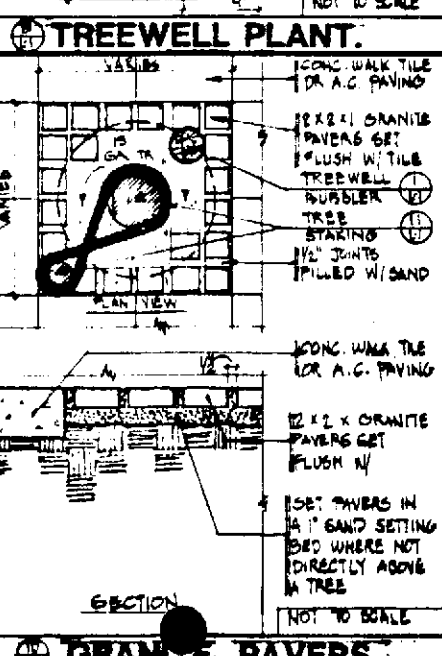
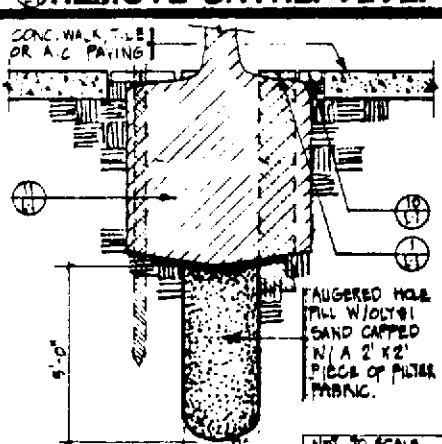
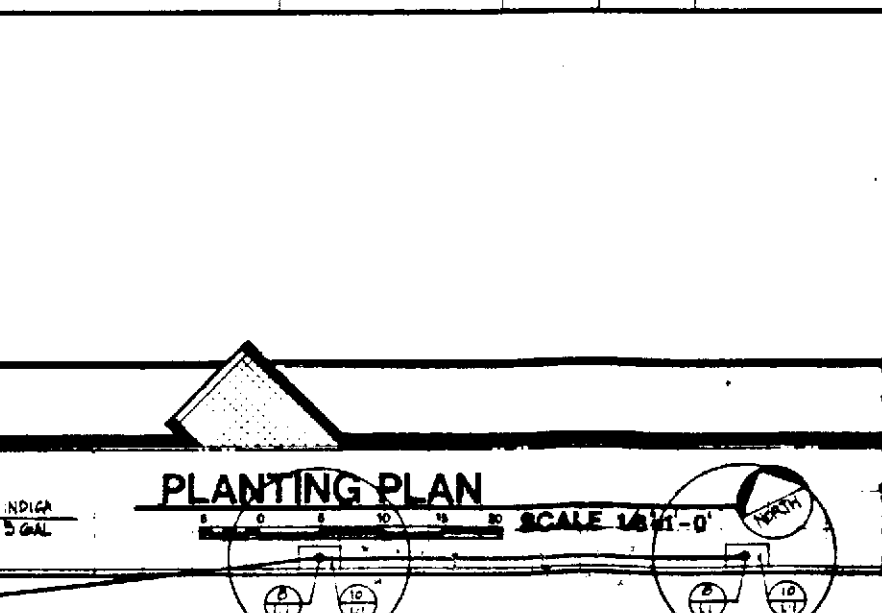
SYMBOL	CATALOG NO.	DESCRIPTION
○	800 100 LA	RAINBIRD POP UP SHRUB SPRAY
○	800 100 LA	
○	1000 100 LA	
○	1000	
○	80000	RAINBIRD BUBBLER
○	71000	WEATHERMATIC REMOTE CONTROL VALVE
○	71000	WEATHERMATIC QUICK COUPLING VALVE
○	15 1/2"	NATTS PRESSURE REDUCING VALVE
○	B251 1/4"	PERCE REDUCED PRESSURE BACKFLOW ASSEM.
○	E24	RAINBIRD AUTOMATIC CONTROLLER
LATERAL LINE: 1/2" - 200 PSI PVC PLASTIC PIPE W/ SCH 40 PVC PLASTIC FITTINGS 12" COVER		
D-RIBBE: 1/2" - 200 PSI PVC PLASTIC PIPE		
18" COVER		
MAIN LINE: 1/2" SCH 40 PVC PLASTIC PIPE W/ SCH 40 PVC SOLVENT WELD FITTINGS 18" COVER		

NOTES
 1. MAXIMUM DEMAND: 30 GPM.
 2. SET PRESSURE REDUCING VALVE AT 45 PSI.
 3. SEE SHEET L-2 FOR ADDITIONAL NOTES.



BOTANIC NAME	COMMON NAME	QUANTITY	SIZE	REMARKS
ACER PALMATUM ORNATUM	LATANDEE MAPLE	1	18 GAL.	
FIGUS RETUSA N. 1/4"	INDIAN LAUREL FIG	6	15 GAL.	DR. STAKE 5' TREES
LIQUIDAMBAR STYRACIFLUA	AMERICAN SWEET GUM	3	15 GAL.	
SALIX BABINGTONIA	WEeping WILLOW	1	24" SQ. SR	
OGCHINUS TELEBENTHIDOLUS	BRAZILIAN PEPPER	4	15 GAL.	
AGAPANTHUS APR. JANUS	Lily of the Nile	12	1 GAL.	
AGAPANTHUS 'PETER PAN'	DWARF LILY	10	1 GAL.	
FIGUS PUMILA	CREBBING FIG	21	1 GAL.	
ACTINIA 'FRAGER'	ACTINIA	5	5 GAL.	
RAPHIOLEPIE 'INDICA BALEARNA'	INDIAN HAWTHORN	24	5 GAL.	
HEDERA HELIX 'MOORE POINT'	ENGLISH IVY		PLANT 8" O.C. IN ALL PLANTING AREAS	

NOTES
 SEE SHEET L-2 FOR PLANTING NOTES.



REVIS

GARCIA/WAGNER AND ASSOCIATES
 ARCHITECTUR N.Y. A CALIFORNIA CORPORATION
 ARCHITECTURE PLANNING INTERIOR DESIGN
 445 BUTTE STREET SAN FRANCISCO, CALIFORNIA 94102

CITY BLUE PRODUCTION FACILITY
 1700 JEFFERSON STREET
 OAKLAND, CALIFORNIA

DATE: 18 MAY 1987
 DRAWN BY: BG
 AS NOTED
 CHECKED: APPROVED:

APPROVED BY OWNER: _____ DATE: _____
 APPROVED BY CLIENT: _____ DATE: _____

JOB: 04007
 SHEET: L-1