

**SEQUOIA ANALYTICAL**680 Chesapeake Drive • Redwood City, CA 94063
(415) 364-9600 • FAX (415) 364-9233Gettler Ryan
2150 W. Winton Avenue
Hayward, CA 94545
Attention: Bob Herron

Project: 2850.01, Shell - Oakland

Enclosed are the results from 2 water samples received at Sequoia Analytical on January 13, 1993. The requested analyses are listed below:

SAMPLE #	SAMPLE DESCRIPTION	DATE OF COLLECTION	TEST METHOD
3011502	Water, Sewer	1/13/93	EPA 5030/8015/8020
3011503	Water, Trip Blank	1/13/93	EPA 5030/8015/8020

Please contact me if you have any questions. In the meantime, thank you for the opportunity to work with you on this project.

Very truly yours,

SEQUOIA ANALYTICAL

Nokowhat D. Herrera
Project Manager



SEQUOIA ANALYTICAL

680 Chesapeake Drive • Redwood City, CA 94063
 (415) 364-9600 • FAX (415) 364-9233

Gettler Ryan	Client Project ID: 2850.01, Shell - Oakland	Sampled: Jan 13, 1993
2150 W. Winton Avenue	Sample Matrix: Water	Received: Jan 13, 1993
Hayward, CA 94545	Analysis Method: EPA 5030/8015/8020	Reported: Jan 15, 1993
Attention: Bob Herron	First Sample #: 301-1502	

TOTAL PURGEABLE PETROLEUM HYDROCARBONS with BTEX DISTINCTION

Analyte	Reporting Limit (µg/L)	Sample I.D. 301-1502 Sewer	Sample I.D. 301-1503 Trip Blank	Sample I.D.	Sample I.D.	Sample I.D.	Sample I.D.
Purgeable Hydrocarbons	50	2,000	N.D.				
Benzene	0.50	150	N.D.				
Toluene	0.50	310	N.D.				
Ethyl Benzene	0.50	31	N.D.				
Total Xylenes	0.50	380	N.D.				
Chromatogram Pattern:		Gas	--				

Quality Control Data

Report Limit		
Multiplication Factor:	20	1.0
Date Analyzed:	1/13/93	1/13/93
Instrument Identification:	GCHP-3	GCHP-3
Surrogate Recovery, %: (QC Limits = 70-130%)	107	96

Purgeable Hydrocarbons are quantitated against a fresh gasoline standard.
 Analytes reported as N.D. were not detected above the stated reporting limit.

SEQUOIA ANALYTICAL

Nokowhat D. Herrera
 Nokowhat D. Herrera
 Project Manager



SEQUOIA ANALYTICAL

680 Chesapeake Drive • Redwood City, CA 94063
 (415) 364-9600 • FAX (415) 364-9233

Gettler Ryan
 2150 W. Winton Avenue
 Hayward, CA 94545
 Attention: Bob Herron

Client Project ID: 2850.01, Shell - Oakland

QC Sample Group: 3011502 - 03

Reported: Jan 15, 1993

QUALITY CONTROL DATA REPORT

ANALYTE	Benzene	Toluene	Ethyl-Benzene	Xylenes
Method:	EPA 8020	EPA 8020	EPA 8020	EPA 8020
Analyst:	M.Nipp	M.Nipp	M.Nipp	M.Nipp
Reporting Units:	µg/L	µg/L	µg/L	µg/L
Date Analyzed:	Jan 13, 1993	Jan 13, 1993	Jan 13, 1993	Jan 13, 1993
QC Sample #:	3011265A	3011265A	3011265A	3011265A
Sample Conc.:	N.D.	N.D.	N.D.	N.D.
Spike Conc. Added:	10	10	10	30
Conc. Matrix Spike:	9.6	9.3	9.9	28
Matrix Spike % Recovery:	96	93	99	93
Conc. Matrix Spike Dup.:	8.2	8.0	8.5	24
Matrix Spike Duplicate % Recovery:	82	80	85	80
Relative % Difference:	16	15	15	15

SEQUOIA ANALYTICAL

N. D. Herrera
 Nokowhat D. Herrera
 Project Manager

% Recovery:	$\frac{\text{Conc. of M.S.} - \text{Conc. of Sample}}{\text{Spike Conc. Added}} \times 100$
Relative % Difference:	$\frac{\text{Conc. of M.S.} - \text{Conc. of M.S.D.}}{(\text{Conc. of M.S.} + \text{Conc. of M.S.D.}) / 2} \times 100$

DAILY LOG

5755 Broadway
Oakland, California

Date and Well	Vac Truck Time		Product Thickness		Well Water Depth		
	Arrival	Dept.	Before	After	Before	After	
12/24/92	A	0700	1030	7/16"	1/8"	10'6"	13'6"
	B			7/16"	1/8"	11'6"	Bottom
	C			1"	0	N/A	N/A
	D			0	0	N/A	N/A
12/25/92	A	0700	1000	1/4"	0	11'6"	12'6"
	B			0	0	11'6"	Bottom
	C			0	0	N/A	N/A
	D			0	0	N/A	N/A
12/26/92	A	0700	1000	1/8"	0	12'	13'2"
	B			0	0	11'6"	Bottom
	C			0	0	N/A	N/A
	D			0	0	N/A	N/A
12/27/92	A	0700	1000	3/16"	0	12'3"	Bottom
	B			3/16"	0	13'3"	Bottom
	C			1/2"	0	N/A	N/A
	D			0	0	N/A	N/A
12/28/92	A	0950	1430	3/16"	sheen	12'2"	Bottom
	B			3/16"	0	13'3"	Bottom
	C			0	0	N/A	N/A
	D			0	0	N/A	N/A
12/29/92	A	0815	1100	1/8"	0	12'1"	Bottom
	B			1/8"	0	13'2"	Bottom
	C			0	0	N/A	N/A
	D			0	0	N/A	N/A
12/30/92	A	0815	0900	1/16"		11'9"	
	B			1/16"		12'9"	
12/31/92	A	N/A	1010	1/16"		10'5.5"	
01/01/93	A	N/A	0625	3/16"		9'3"	
01/02/93	A	0700	N/A	1/8"		9'	
01/03/93	A	0630	N/A	1/8"		6'0"	

2850.01

2850.01

PERCENT OF L.E.L. IN MANHOLE

Broadway and Perkins Street
Oakland, California

Time	12/21	12/22	12/23	12/24	12/25	12/26	12/27	12/28	12/29	12/30
0100		0	0	0	0	0	0	0	0	0
0200		0	0	0	0	0	0	0	0	0
0300		0	0	0	0	0	0	0	0	0
0400		0	0	0	0	0	0	0	0	0
0500		0	1	0	0	0	0	0	0	0
0600		2	2	0	0	0	0	0	0	0
0700		2	2	2	0	0	1	1	0	0
0800		2	2	2	0	0	1	2	0	0
0900		1	1	1	0	0	1	0	0	1
1000		1	1	2	0	0	0	0	0	1
1100		0	2	1	0	0	0	0	0	0
1200		0	2	2	0	0	0	0	0	0
1300		0	2	0	0	0	0	0	0	0
1400		0	2	0	0	0	0	0	0	0
1500	100	1	1	0	0	0	0	0	0	0
1600		1	0	0	0	0	0	0	0	0
1700	100	0	1	0	0	0	0	0	0	0
1800		0	0	0	0	0	0	0	0	0
1900		1	1	0	0	0	0	0	0	0
2000		0	0	0	0	0	0	0	0	0
2100		0	0	0	0	0	0	0	0	0
2200		0	0	0	0	0	0	0	0	0
2300		0	0	0	0	0	0	0	0	0
2400		0	0	0	0	0	0	0	0	0

PERCENT OF L.E.L. IN MANHOLE

Broadway and Perkins Street
Oakland, California

Time	12/31	01/01	01/02	01/03	01/04	01/05	01/06	01/07	01/08	01/09
0100	0	0	0	0	0	0	0	0	0	0
0200	0	0	0	0	0	0	0	0	0	0
0300	0	0	0	0	0	0	0	0	0	0
0400	0	0	0	0	0	0	0	0	0	0
0500	0	0	0	0	0	0	0	0	0	0
0600	0	0	0	0	0	0	0	0	0	0
0700	0	0	0	0	0	0	0	0	0	0
0800	0	0	0	0	0	0	0	0	0	0
0900	0	0	0	0	0	0	0	0	0	0
1000	0	0	0	0	0	0	0	0	0	0
1100	0	0	0	0	0	0	0	0	0	0
1200	0	0	0	0	0	0	0	0	0	0
1300	0	0	0	0	0	0	0	0	0	0
1400	0	0	0	0	0	0	0	0	0	0
1500	0	0	0	0	0	0	0	0	0	0
1600	0	0	0	0	0	0	0	0	0	0
1700	0	0	0	0	0	0	0	0	0	0
1800	0	0	0	0	0	0	0	0	0	0
1900	0	0	0	0	0	0	0	0	0	0
2000	0	0	0	0	0	0	0	0	0	0
2100	0	0	0	0	0	0	0	0	0	0
2200	0	0	0	0	0	0	0	0	0	0
2300	0	0	0	0	0	0	0	0	0	0
2400	0	0	0	0	0	0	0	0	0	0

PERCENT OF L.E.L. IN MANHOLE

Broadway and Perkins Street
Oakland, California

Time	01/10	01/11	01/12	01/13
0100	0	0	0	0
0200	0	0	0	0
0300	0	0	0	0
0400	0	0	0	0
0500	0	0	0	0
0600	0	0	0	0
0700	0	0	0	0
0800	0	0	0	0
0900	0	0	0	0
1000	0	0	0	0
1100	0	0	0	0
1200	0	0	0	0
1300	0	0	0	0
1400	0	0	0	
1500	0	0	0	
1600	0	0	0	
1700	0	0	0	
1800	0	0	0	
1900	0	0	0	
2000	0	0	0	
2100	0	0	0	
2200	0	0	0	
2300	0	0	0	
2400	0	0	0	

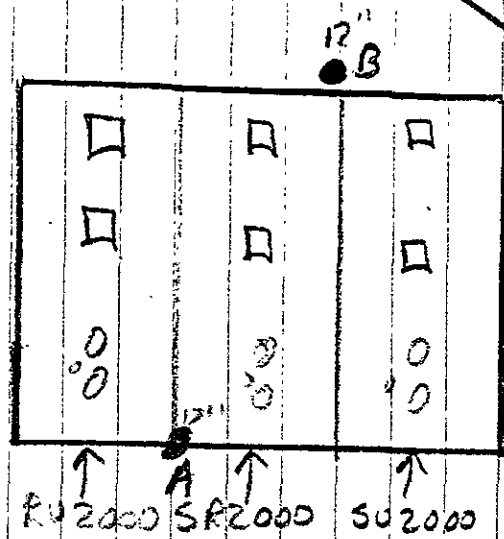
(2)

BLDG.

VAC. TRUCK TO EXTRACT FROM
POINTS A, B, C, D

(2)

BLACK WALL
DRAINING SOIL



BLACK WALL
N

EXHAUSTION
TO
GROUNDWATER
D-C
D-D

STAIRS

STAIRS

STAIRS

STAIRS

STEAM
CATCH
BASIN

TEST EX. HOLE

SEWAGE
SPLITTER

A.C. TEST
EXHAUSTION
HOLE
SEWER LINE

SIDEWALK

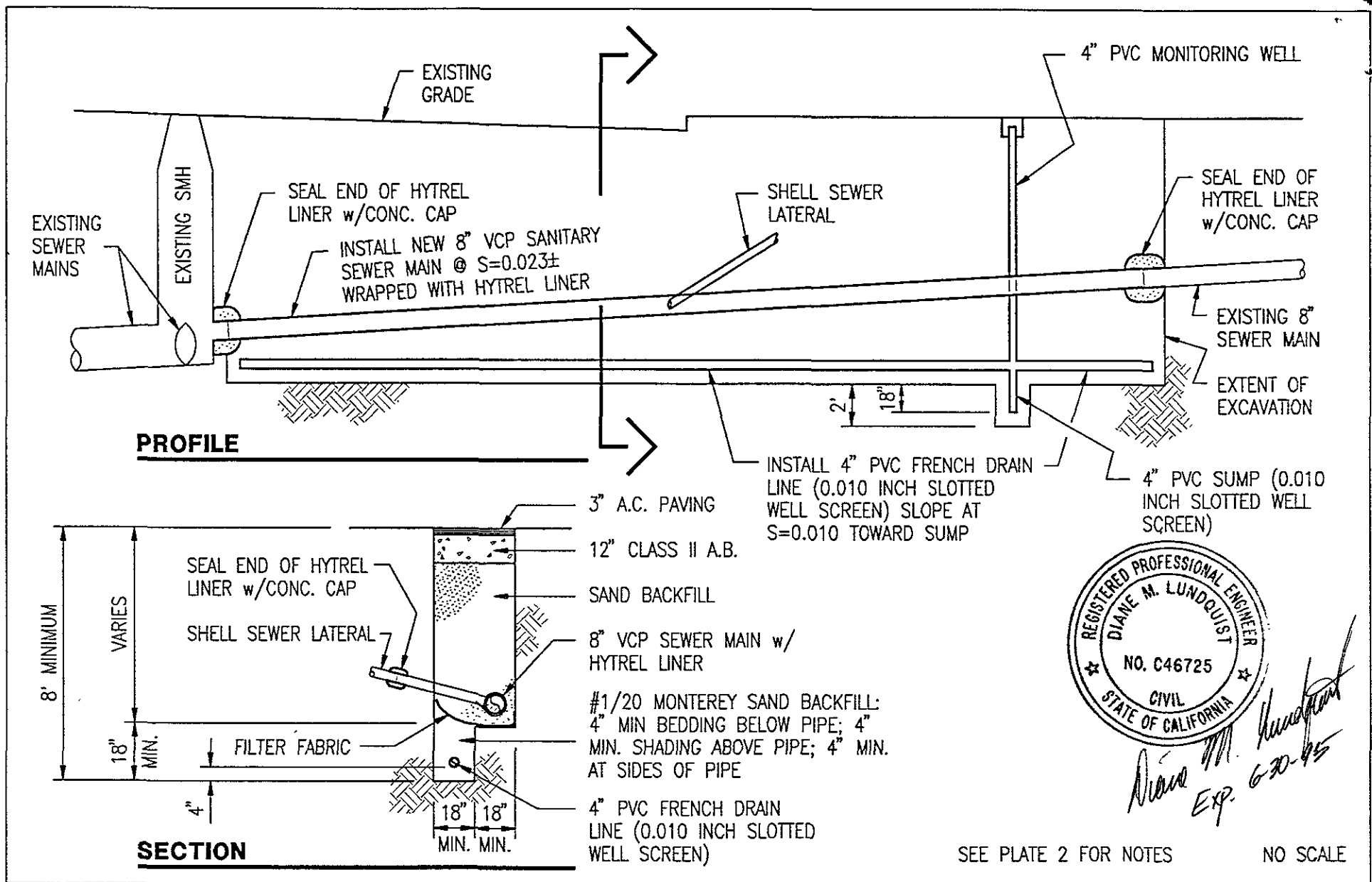
BROADWAY

Flooding
Prevent
Change HBS. Pads
as needed
✓ 2 TIMES
per shift

SEWAGE
PARTICLE

SEWER
DISCONNECT
EXCAVATION

TAKE READINGS
Hourly - change Pads
AS NEEDED
2-3 Hrs.



Diane M. Lundquist
 EXP. 6-30-95

SEE PLATE 2 FOR NOTES NO SCALE



GeoStrategies Inc.

SEWER MAIN REPLACEMENT PROJECT
 Shell Service Station
 5755 Broadway at Taft Avenue
 Oakland, California

PLATE
1

JOB NUMBER
 410501

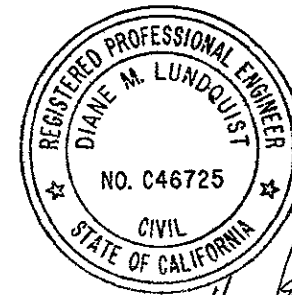
REVIEWED BY
[Signature]

DATE
 1/13/93

REVISED DATE

GENERAL NOTES

1. ALL WORK SHALL CONFORM TO LOCAL CODES AND ORDINANCES. ALL WORK WITHIN THE PUBLIC RIGHT OF WAY SHALL CONFORM TO THE REQUIREMENTS OF THE CITY OF OAKLAND PUBLIC WORKS DEPARTMENT.
2. ALL WORK SHALL COMPLY WITH OSHA REGULATIONS AND RECOMMENDATIONS.
3. OPEN TRENCHES SHALL BE PLATED AT ALL TIMES WHEN WORK IS NOT IN PROGRESS.
4. EXISTING BURIED PIPE AND UTILITY LOCATIONS SHOWN ARE APPROXIMATE. THE GENERAL CONTRACTOR SHALL EXPOSE AND VERIFY PIPE LOCATIONS AS NECESSARY. CONTACT UNDERGROUND SERVICE ALERT, (800) 642-2444, AT LEAST TWO WORKING DAYS PRIOR TO START OF CONSTRUCTION.
5. GENERAL CONTRACTOR SHALL PROTECT ALL EXISTING FACILITIES WHICH ARE TO REMAIN, UNLESS OTHERWISE NOTED, THROUGHOUT THE CONSTRUCTION PERIOD. GENERAL CONTRACTOR SHALL REPAIR OR REPLACE (AT CONTRACTOR'S SOLE EXPENSE AND TO THE SATISFACTION OF THE SHELL ENGINEER) ANY EXISTING FACILITIES WHICH ARE DAMAGED DURING THE CONSTRUCTION PERIOD.
6. THE GENERAL CONTRACTOR SHALL VERIFY THE ADEQUACY OF BACKFILL MATERIAL AND PAVING SECTION TO CONFORM TO CITY OF OAKLAND REQUIREMENTS.
7. SEWER LINE SHALL BE TESTED PER CITY OF OAKLAND REQUIREMENTS PRIOR TO BACKFILL.
8. BACKFILL AND COMPACTION SHALL BE PER CITY OF OAKLAND REQUIREMENTS. GENERAL CONTRACTOR SHALL PROVIDE COMPACTION TESTING IF REQUIRED BY THE CITY OF OAKLAND PUBLIC WORKS DEPARTMENT.
9. SEWER LINE SIZE OF 8" AND SLOPE OF 0.023± ARE SPECIFIED ONLY IN ORDER TO REPLACE THE EXISTING SEWER LINE WITH A LINE OF THE SAME SIZE AND SLOPE. NO CALCULATIONS WERE PERFORMED TO DEMONSTRATE ADEQUATE CAPACITY OF THE LINE AT THIS SIZE AND SLOPE.
10. GENERAL CONTRACTOR SHALL PATCH ALL SLABS AND PAVING AS REQUIRED AFTER TRENCHING AND EXCAVATION FOR NEW WORK. SAWCUT EXISTING PAVEMENT, SLABS AND/OR SIDEWALKS IN NEAT STRAIGHT LINES PRIOR TO PATCH PAVING.



GeoStrategies Inc.

SEWER MAIN REPLACEMENT PROJECT
Shell Service Station
5755 Broadway at Taft Avenue
Oakland, California

PLATE

2

JOB NUMBER
410501

REVIEWED BY
[Signature]

DATE
1/13/93

REVISED DATE

**SEQUOIA ANALYTICAL**680 Chesapeake Drive • Redwood City, CA 94063
(415) 364-9600 • FAX (415) 364-9233Gettler Ryan
2150 W. Winton Avenue
Hayward, CA 94545
Attention: Bob Herron

Project: 2850.01, Shell - Oakland

Enclosed are the results from 2 water samples received at Sequoia Analytical on January 13, 1993. The requested analyses are listed below:

SAMPLE #	SAMPLE DESCRIPTION	DATE OF COLLECTION	TEST METHOD
3011502	Water, Sewer	1/13/93	EPA 5030/8015/8020
3011503	Water, Trip Blank	1/13/93	EPA 5030/8015/8020

Please contact me if you have any questions. In the meantime, thank you for the opportunity to work with you on this project.

Very truly yours,

SEQUOIA ANALYTICAL

Nokowhat D. Herrera
Project Manager



SEQUOIA ANALYTICAL

680 Chesapeake Drive • Redwood City, CA 94063
 (415) 364-9600 • FAX (415) 364-9233

Gettler Ryan	Client Project ID: 2850.01, Shell - Oakland	Sampled: Jan 13, 1993
2150 W. Winton Avenue	Sample Matrix: Water	Received: Jan 13, 1993
Hayward, CA 94545	Analysis Method: EPA 5030/8015/8020	Reported: Jan 15, 1993
Attention: Bob Herron	First Sample #: 301-1502	

TOTAL PURGEABLE PETROLEUM HYDROCARBONS with BTEX DISTINCTION

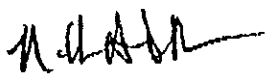
Analyte	Reporting Limit (µg/L)	Sample I.D. 301-1502 Sewer	Sample I.D. 301-1503 Trip Blank	Sample I.D.	Sample I.D.	Sample I.D.	Sample I.D.
Purgeable Hydrocarbons	50	2,000	N.D.				
Benzene	0.50	150	N.D.				
Toluene	0.50	310	N.D.				
Ethyl Benzene	0.50	31	N.D.				
Total Xylenes	0.50	380	N.D.				
Chromatogram Pattern:		Gas	--				

Quality Control Data

Report Limit		
Multiplication Factor:	20	1.0
Date Analyzed:	1/13/93	1/13/93
Instrument Identification:	GCHP-3	GCHP-3
Surrogate Recovery, %: (QC Limits = 70-130%)	107	96

Purgeable Hydrocarbons are quantitated against a fresh gasoline standard.
 Analytes reported as N.D. were not detected above the stated reporting limit.

SEQUOIA ANALYTICAL


 Nokowhat D. Herrera
 Project Manager



SEQUOIA ANALYTICAL

680 Chesapeake Drive • Redwood City, CA 94063
 (415) 364-9600 • FAX (415) 364-9233

Gettler Ryan
 2150 W. Winton Avenue
 Hayward, CA 94545
 Attention: Bob Herron

Client Project ID: 2850.01, Shell - Oakland

QC Sample Group: 3011502 - 03

Reported: Jan 15, 1993

QUALITY CONTROL DATA REPORT

ANALYTE	Benzene	Toluene	Ethyl-Benzene	Xylenes
Method:	EPA 8020	EPA 8020	EPA 8020	EPA 8020
Analyst:	M.Nipp	M.Nipp	M.Nipp	M.Nipp
Reporting Units:	µg/L	µg/L	µg/L	µg/L
Date Analyzed:	Jan 13, 1993	Jan 13, 1993	Jan 13, 1993	Jan 13, 1993
QC Sample #:	3011265A	3011265A	3011265A	3011265A
Sample Conc.:	N.D.	N.D.	N.D.	N.D.
Spike Conc. Added:	10	10	10	30
Conc. Matrix Spike:	9.6	9.3	9.9	28
Matrix Spike % Recovery:	96	93	99	93
Conc. Matrix Spike Dup.:	8.2	8.0	8.5	24
Matrix Spike Duplicate % Recovery:	82	80	85	80
Relative % Difference:	16	15	15	15

SEQUOIA ANALYTICAL

Nokowhat D. Herrera
 Nokowhat D. Herrera
 Project Manager

% Recovery:	$\frac{\text{Conc. of M.S.} - \text{Conc. of Sample}}{\text{Spike Conc. Added}} \times 100$
Relative % Difference:	$\frac{\text{Conc. of M.S.} - \text{Conc. of M.S.D.}}{(\text{Conc. of M.S.} + \text{Conc. of M.S.D.}) / 2} \times 100$

DAILY LOG

5755 Broadway
Oakland, California

Date and Well	Vac Truck Time		Product Thickness		Well Water Depth		
	Arrival	Dept.	Before	After	Before	After	
12/24/92	A	0700	1030	7/16"	1/8"	10'6"	13'6"
	B			7/16"	1/8"	11'6"	Bottom
	C			1"	0	N/A	N/A
	D			0	0	N/A	N/A
12/25/92	A	0700	1000	1/4"	0	11'6"	12'6"
	B			0	0	11'6"	Bottom
	C			0	0	N/A	N/A
	D			0	0	N/A	N/A
12/26/92	A	0700	1000	1/8"	0	12'	13'2"
	B			0	0	11'6"	Bottom
	C			0	0	N/A	N/A
	D			0	0	N/A	N/A
12/27/92	A	0700	1000	3/16"	0	12'3"	Bottom
	B			3/16"	0	13'3"	Bottom
	C			1/2"	0	N/A	N/A
	D			0	0	N/A	N/A
12/28/92	A	0950	1430	3/16"	sheen	12'2"	Bottom
	B			3/16"	0	13'3"	Bottom
	C			0	0	N/A	N/A
	D			0	0	N/A	N/A
12/29/92	A	0815	1100	1/8"	0	12'1"	Bottom
	B			1/8"	0	13'2"	Bottom
	C			0	0	N/A	N/A
	D			0	0	N/A	N/A
12/30/92	A	0815	0900	1/16"		11'9"	
	B			1/16"		12'9"	
12/31/92	A	N/A	1010	1/16"		10'5.5"	
01/01/93	A	N/A	0625	3/16"		9'3"	
01/02/93	A	0700	N/A	1/8"		9'	
01/03/93	A	0630	N/A	1/8"		6'0"	

2850.01

2850.01

PERCENT OF L.E.L. IN MANHOLE

Broadway and Perkins Street
Oakland, California

Time	12/21	12/22	12/23	12/24	12/25	12/26	12/27	12/28	12/29	12/30
0100		0	0	0	0	0	0	0	0	0
0200		0	0	0	0	0	0	0	0	0
0300		0	0	0	0	0	0	0	0	0
0400		0	0	0	0	0	0	0	0	0
0500		0	1	0	0	0	0	0	0	0
0600		2	2	0	0	0	0	0	0	0
0700		2	2	2	0	0	1	1	0	0
0800		2	2	2	0	0	1	2	0	0
0900		1	1	1	0	0	1	0	0	1
1000		1	1	2	0	0	0	0	0	1
1100		0	2	1	0	0	0	0	0	0
1200		0	2	2	0	0	0	0	0	0
1300		0	2	0	0	0	0	0	0	0
1400		0	2	0	0	0	0	0	0	0
1500	100	1	1	0	0	0	0	0	0	0
1600		1	0	0	0	0	0	0	0	0
1700	100	0	1	0	0	0	0	0	0	0
1800		0	0	0	0	0	0	0	0	0
1900		1	1	0	0	0	0	0	0	0
2000		0	0	0	0	0	0	0	0	0
2100		0	0	0	0	0	0	0	0	0
2200		0	0	0	0	0	0	0	0	0
2300		0	0	0	0	0	0	0	0	0
2400		0	0	0	0	0	0	0	0	0

PERCENT OF L.E.L. IN MANHOLE

Broadway and Perkins Street
Oakland, California

Time	12/31	01/01	01/02	01/03	01/04	01/05	01/06	01/07	01/08	01/09
0100	0	0	0	0	0	0	0	0	0	0
0200	0	0	0	0	0	0	0	0	0	0
0300	0	0	0	0	0	0	0	0	0	0
0400	0	0	0	0	0	0	0	0	0	0
0500	0	0	0	0	0	0	0	0	0	0
0600	0	0	0	0	0	0	0	0	0	0
0700	0	0	0	0	0	0	0	0	0	0
0800	0	0	0	0	0	0	0	0	0	0
0900	0	0	0	0	0	0	0	0	0	0
1000	0	0	0	0	0	0	0	0	0	0
1100	0	0	0	0	0	0	0	0	0	0
1200	0	0	0	0	0	0	0	0	0	0
1300	0	0	0	0	0	0	0	0	0	0
1400	0	0	0	0	0	0	0	0	0	0
1500	0	0	0	0	0	0	0	0	0	0
1600	0	0	0	0	0	0	0	0	0	0
1700	0	0	0	0	0	0	0	0	0	0
1800	0	0	0	0	0	0	0	0	0	0
1900	0	0	0	0	0	0	0	0	0	0
2000	0	0	0	0	0	0	0	0	0	0
2100	0	0	0	0	0	0	0	0	0	0
2200	0	0	0	0	0	0	0	0	0	0
2300	0	0	0	0	0	0	0	0	0	0
2400	0	0	0	0	0	0	0	0	0	0

PERCENT OF L.E.L. IN MANHOLE

Broadway and Perkins Street
Oakland, California

Time	01/10	01/11	01/12	01/13
0100	0	0	0	0
0200	0	0	0	0
0300	0	0	0	0
0400	0	0	0	0
0500	0	0	0	0
0600	0	0	0	0
0700	0	0	0	0
0800	0	0	0	0
0900	0	0	0	0
1000	0	0	0	0
1100	0	0	0	0
1200	0	0	0	0
1300	0	0	0	0
1400	0	0	0	
1500	0	0	0	
1600	0	0	0	
1700	0	0	0	
1800	0	0	0	
1900	0	0	0	
2000	0	0	0	
2100	0	0	0	
2200	0	0	0	
2300	0	0	0	
2400	0	0	0	

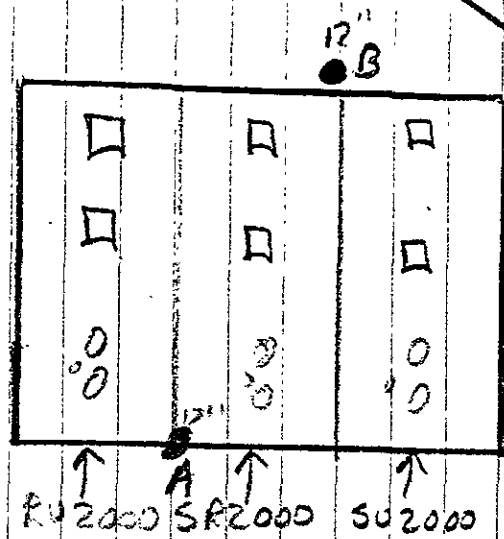
(2)

BL'DG.

VAC. TRUCK TO EXTRACT FROM
POINTS A, B, C, D

(2)

BLACK WALL
DRAINING SOIL



BLACK WALL
N

EXHAUSTION
TO
GROUNDWATER
D-C
D-D

STAIRS

STAIRS

STAIRS

STAIRS

STEAM
CATCH
BASIN

TEST EX. HOLE

SEWAGE
SPLITTER

A.C. TEST
EXHAUSTION
HOLE
SEWER LINE

SIDEWALK

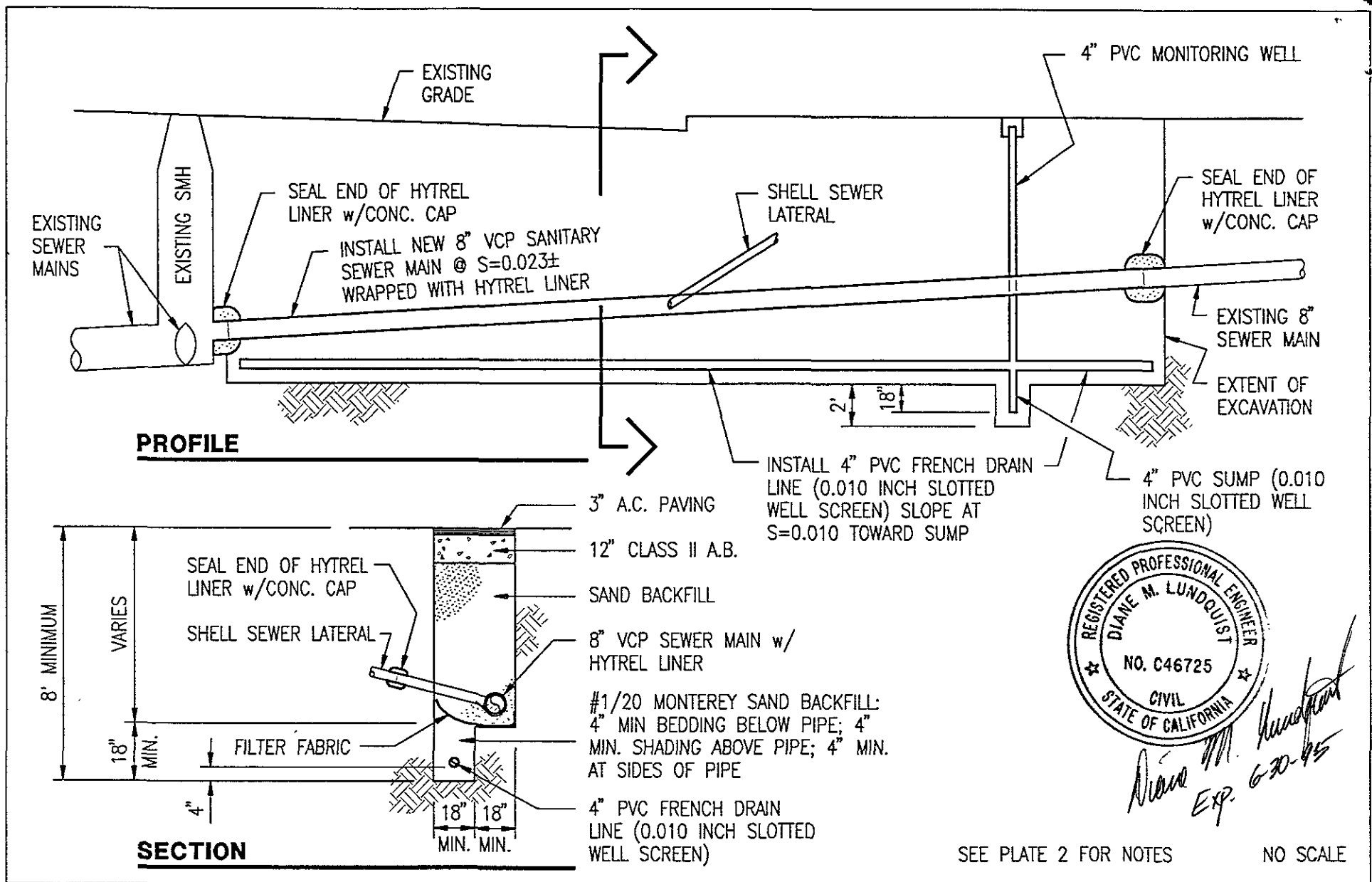
BROADWAY

Flooding
Prevent
Change HBS. Pads
as needed
✓ 2 TIMES
per shift

SEWAGE
PARTICLE

SEWER
DISCONNECT
EXCAVATION

TAKE READINGS
Hourly - change Pads
AS NEEDED
2-3 Hrs.



Diane M. Lundquist
 EXP. 6-30-95

SEE PLATE 2 FOR NOTES NO SCALE



GeoStrategies Inc.

SEWER MAIN REPLACEMENT PROJECT
 Shell Service Station
 5755 Broadway at Taft Avenue
 Oakland, California

PLATE
1

JOB NUMBER
 410501

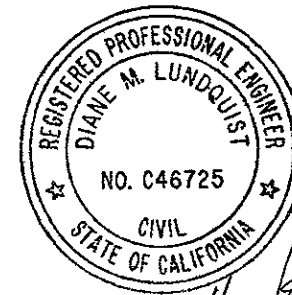
REVIEWED BY
[Signature]

DATE
 1/13/93

REVISED DATE

GENERAL NOTES

1. ALL WORK SHALL CONFORM TO LOCAL CODES AND ORDINANCES. ALL WORK WITHIN THE PUBLIC RIGHT OF WAY SHALL CONFORM TO THE REQUIREMENTS OF THE CITY OF OAKLAND PUBLIC WORKS DEPARTMENT.
2. ALL WORK SHALL COMPLY WITH OSHA REGULATIONS AND RECOMMENDATIONS.
3. OPEN TRENCHES SHALL BE PLATED AT ALL TIMES WHEN WORK IS NOT IN PROGRESS.
4. EXISTING BURIED PIPE AND UTILITY LOCATIONS SHOWN ARE APPROXIMATE. THE GENERAL CONTRACTOR SHALL EXPOSE AND VERIFY PIPE LOCATIONS AS NECESSARY. CONTACT UNDERGROUND SERVICE ALERT, (800) 642-2444, AT LEAST TWO WORKING DAYS PRIOR TO START OF CONSTRUCTION.
5. GENERAL CONTRACTOR SHALL PROTECT ALL EXISTING FACILITIES WHICH ARE TO REMAIN, UNLESS OTHERWISE NOTED, THROUGHOUT THE CONSTRUCTION PERIOD. GENERAL CONTRACTOR SHALL REPAIR OR REPLACE (AT CONTRACTOR'S SOLE EXPENSE AND TO THE SATISFACTION OF THE SHELL ENGINEER) ANY EXISTING FACILITIES WHICH ARE DAMAGED DURING THE CONSTRUCTION PERIOD.
6. THE GENERAL CONTRACTOR SHALL VERIFY THE ADEQUACY OF BACKFILL MATERIAL AND PAVING SECTION TO CONFORM TO CITY OF OAKLAND REQUIREMENTS.
7. SEWER LINE SHALL BE TESTED PER CITY OF OAKLAND REQUIREMENTS PRIOR TO BACKFILL.
8. BACKFILL AND COMPACTION SHALL BE PER CITY OF OAKLAND REQUIREMENTS. GENERAL CONTRACTOR SHALL PROVIDE COMPACTION TESTING IF REQUIRED BY THE CITY OF OAKLAND PUBLIC WORKS DEPARTMENT.
9. SEWER LINE SIZE OF 8" AND SLOPE OF 0.023± ARE SPECIFIED ONLY IN ORDER TO REPLACE THE EXISTING SEWER LINE WITH A LINE OF THE SAME SIZE AND SLOPE. NO CALCULATIONS WERE PERFORMED TO DEMONSTRATE ADEQUATE CAPACITY OF THE LINE AT THIS SIZE AND SLOPE.
10. GENERAL CONTRACTOR SHALL PATCH ALL SLABS AND PAVING AS REQUIRED AFTER TRENCHING AND EXCAVATION FOR NEW WORK. SAWCUT EXISTING PAVEMENT, SLABS AND/OR SIDEWALKS IN NEAT STRAIGHT LINES PRIOR TO PATCH PAVING.



GeoStrategies Inc.

SEWER MAIN REPLACEMENT PROJECT
Shell Service Station
5755 Broadway at Taft Avenue
Oakland, California

PLATE

2

JOB NUMBER
410501

REVIEWED BY
[Signature]

DATE
1/13/93

REVISED DATE